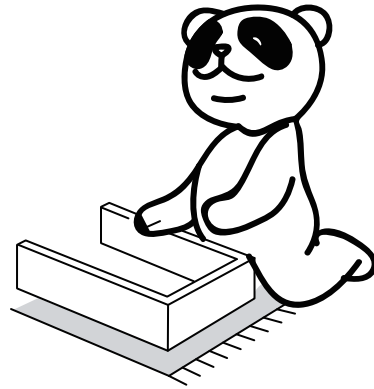
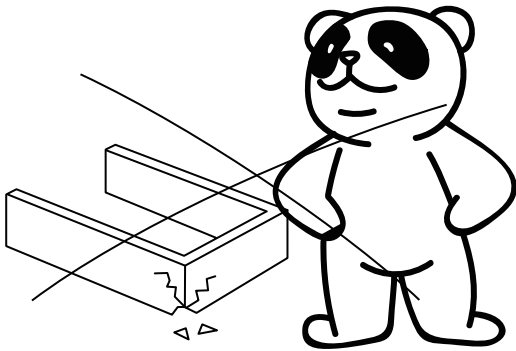
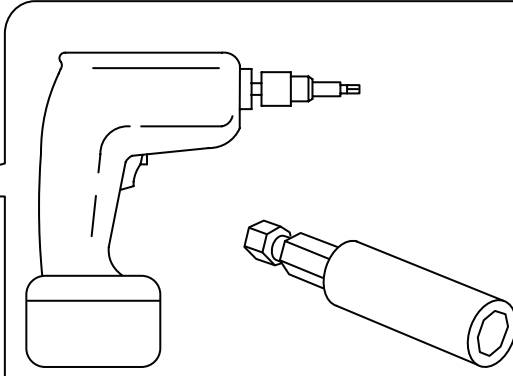
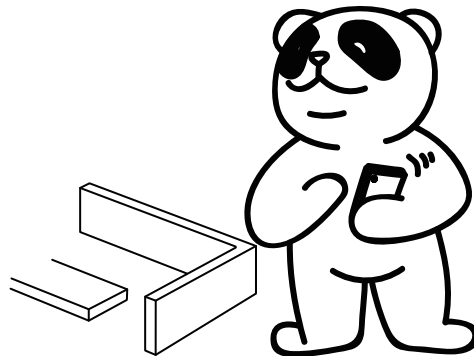
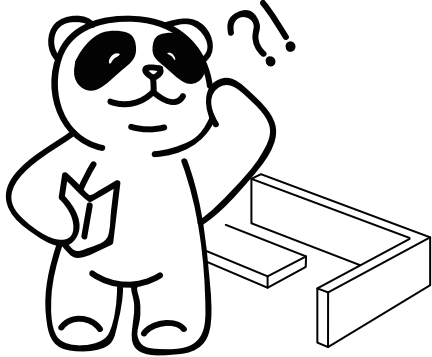


**213 Q/F**

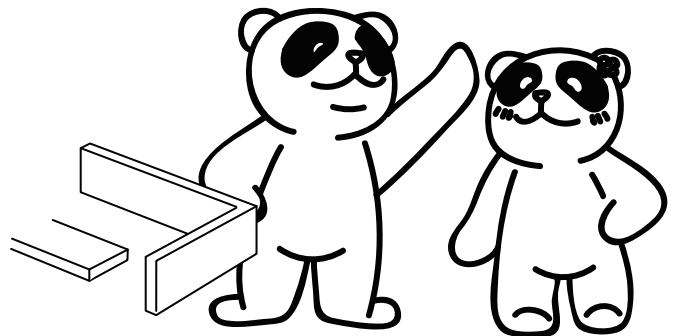
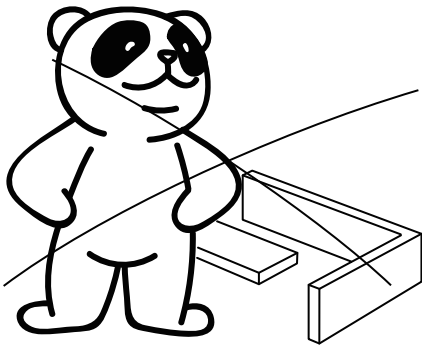
**Version: 1.2**



**Violent installation is prohibited**

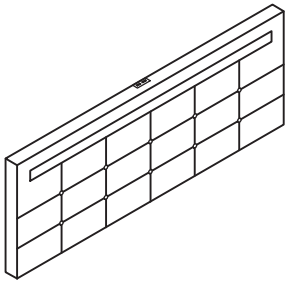


**Please call if you need help**



**Multi-person cooperation is recommended**

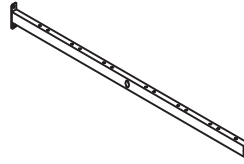
# Assembly Instruction



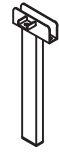
**1**  
x1



**2**  
x1



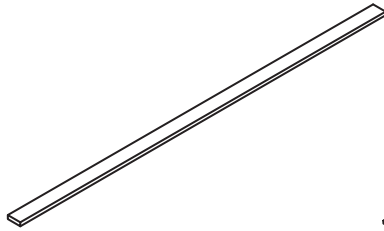
**3**  
x4



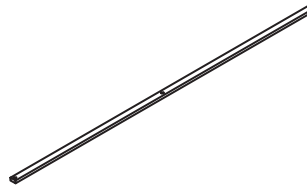
**4**  
x2



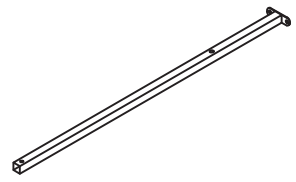
**5**  
x1



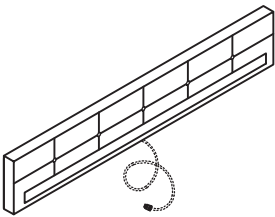
**7**  
x12



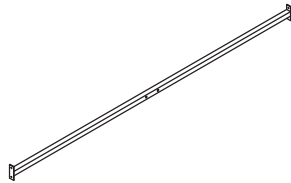
**8**  
x1



**10**  
x2



**11**  
x1



**12**  
x1



**13**  
x24



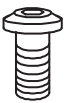
**21**  
x2



**22**  
x1

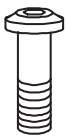


**23**  
x2



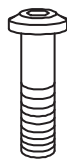
**A**

M8\*13  
x26



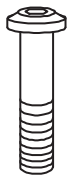
**B**

M8\*25  
x16



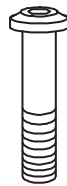
**C**

M8\*35  
x6



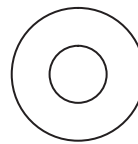
**D**

M8\*45  
x6



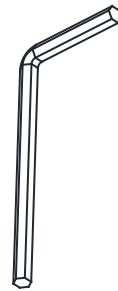
**E**

M8\*55  
x6



**F**

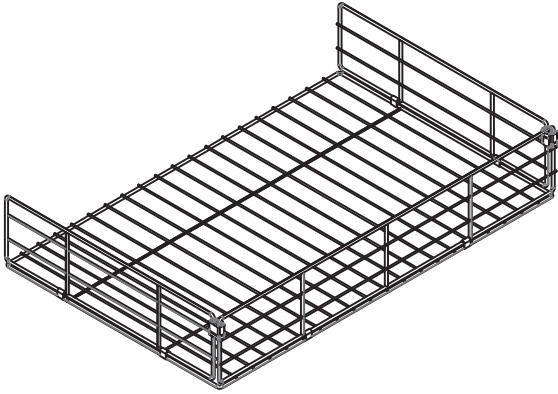
M8  
x13



**G**

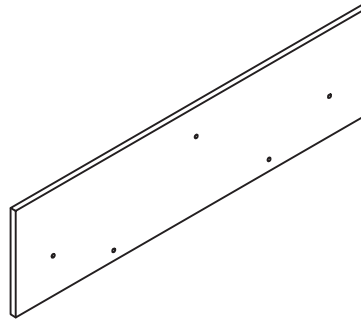
M8  
x1

# Assembly Instruction of drawer



14

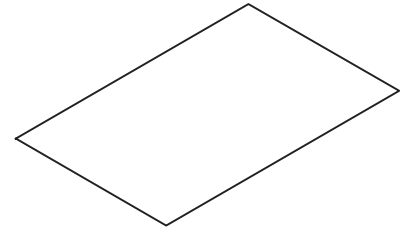
x4



Drawer board

17

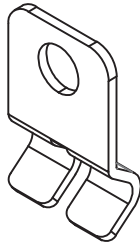
x4



Drawer pad

18

x4



Iron buckle

19

x16



M8\*13

Screw x20

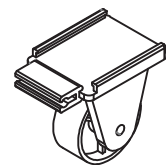
Note the **A** in the hardware blister pack



plastic buckle(A) x 8



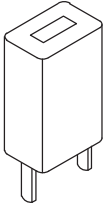
plastic buckle(B) x 8



Pulley x 16

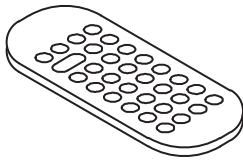
# Assembly Instruction

## LED light strip electronic accessories list



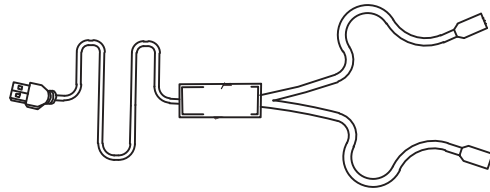
**x1**  
**USB plug**

There is a two-dimensional code at the position of the power line. Scanning can download the APP for the control light



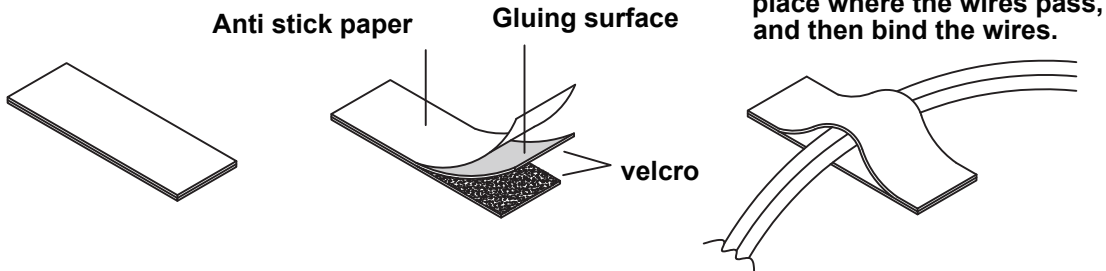
**x1**

**Remote control**



**x1**

**power cord**

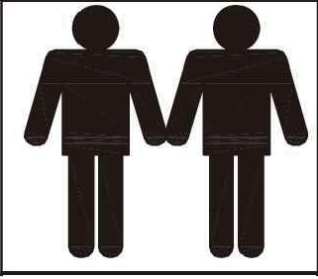


**x8**

**Strap magic tape**

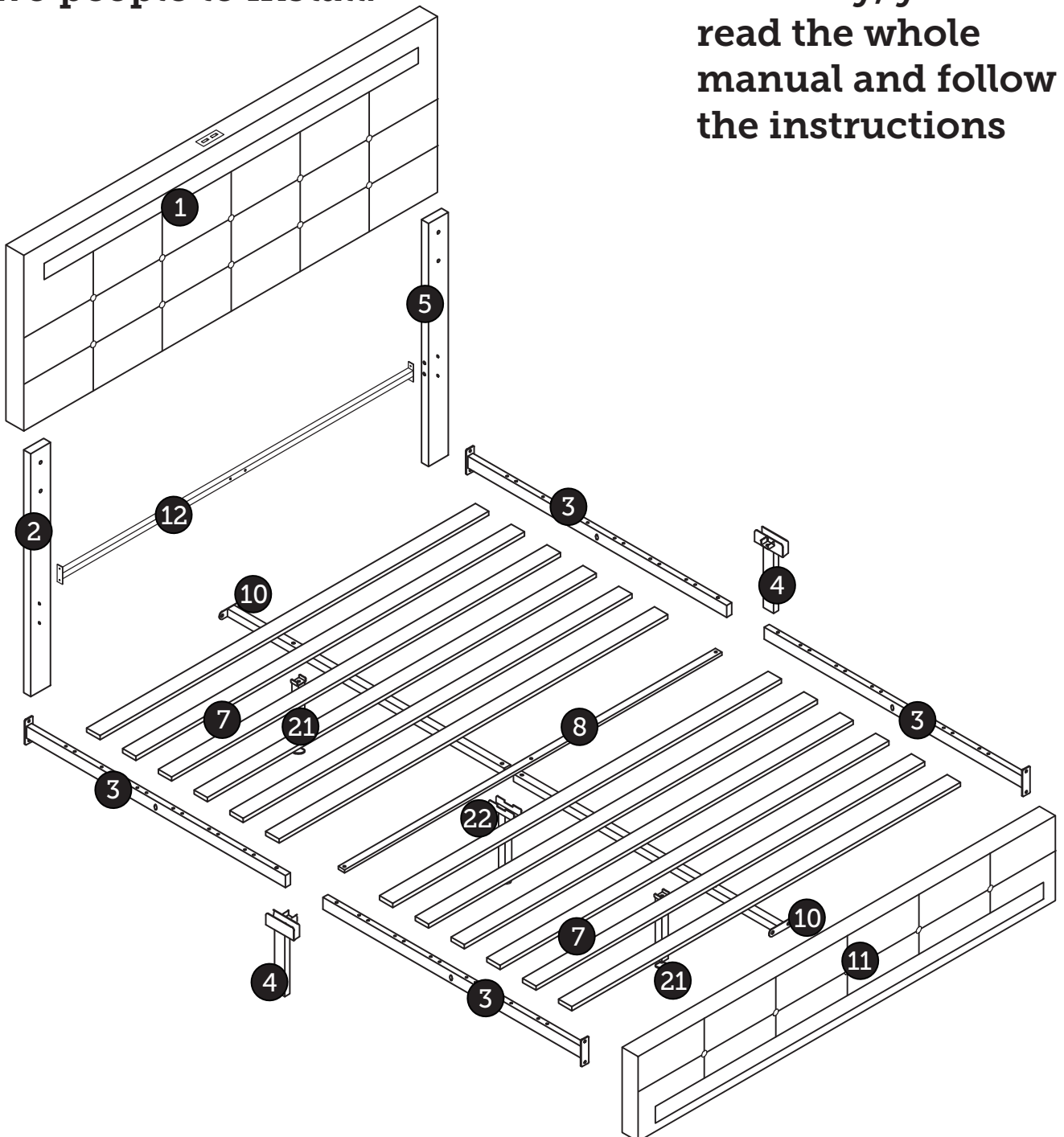
**Note:**

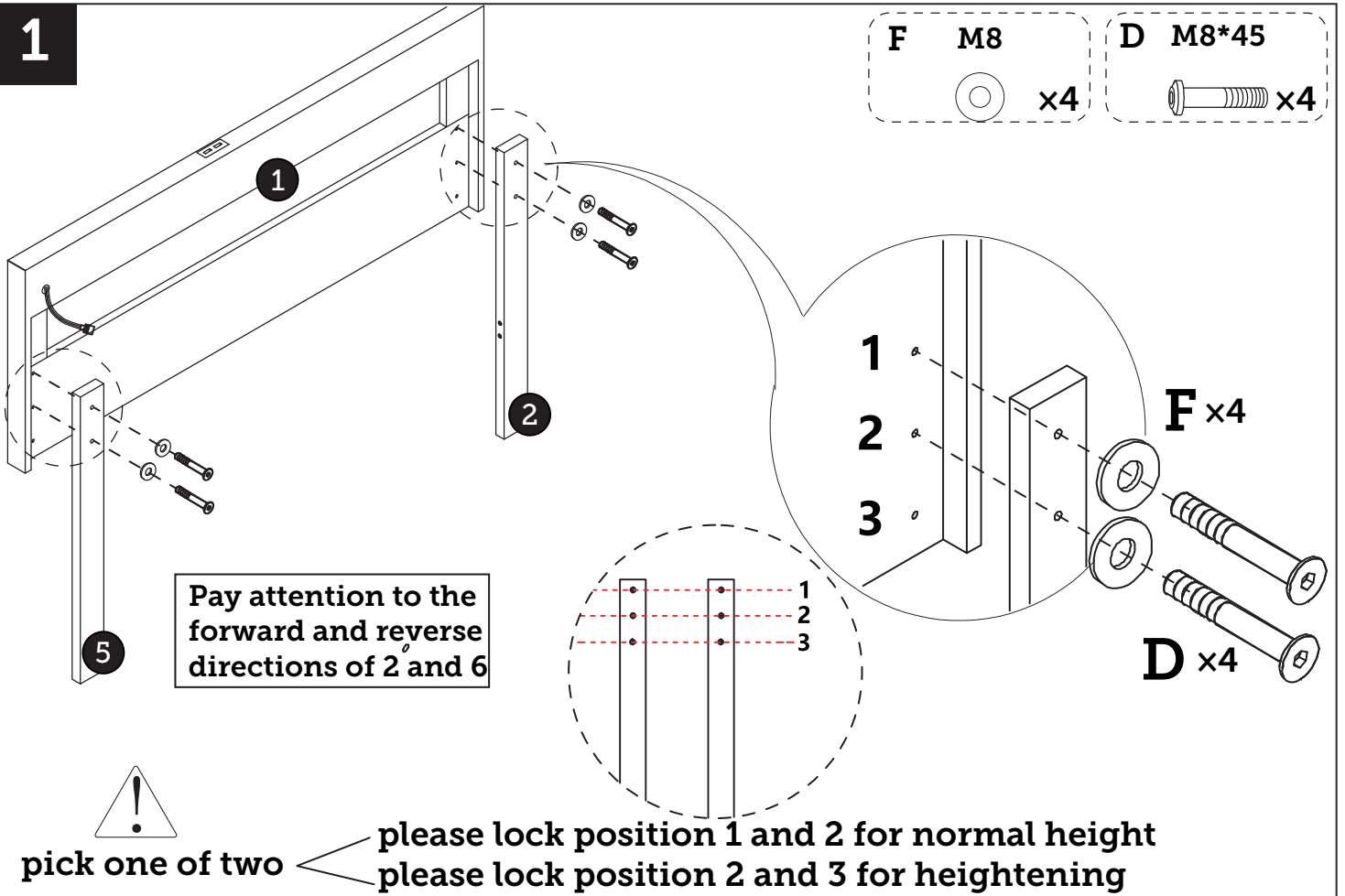
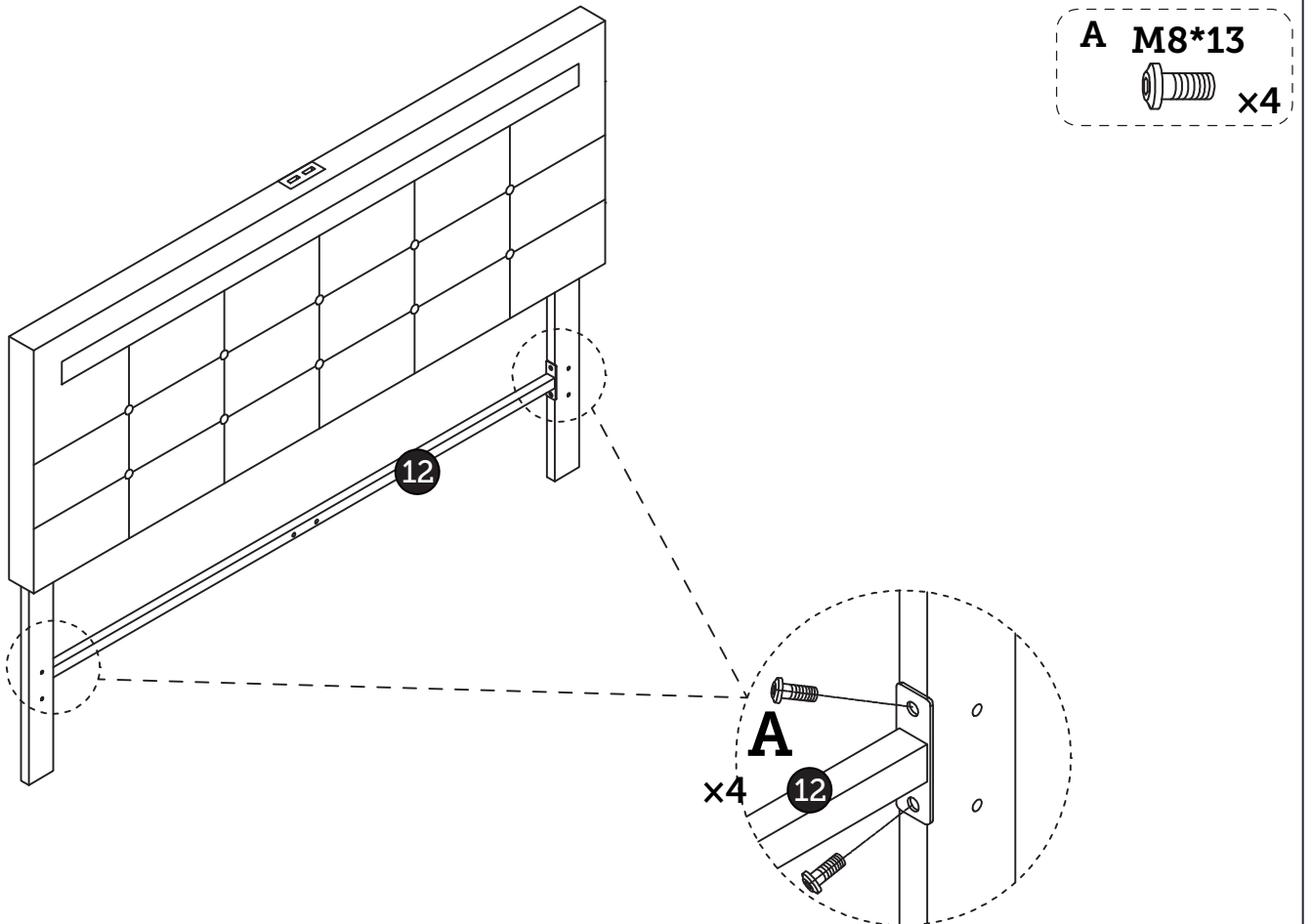
1. Should be assembled on flat ground to keep balance.
2. Before completing the installation, do not tighten the screws.



**It needs at least two people to install.**

**Before starting the assembly, you must read the whole manual and follow the instructions**

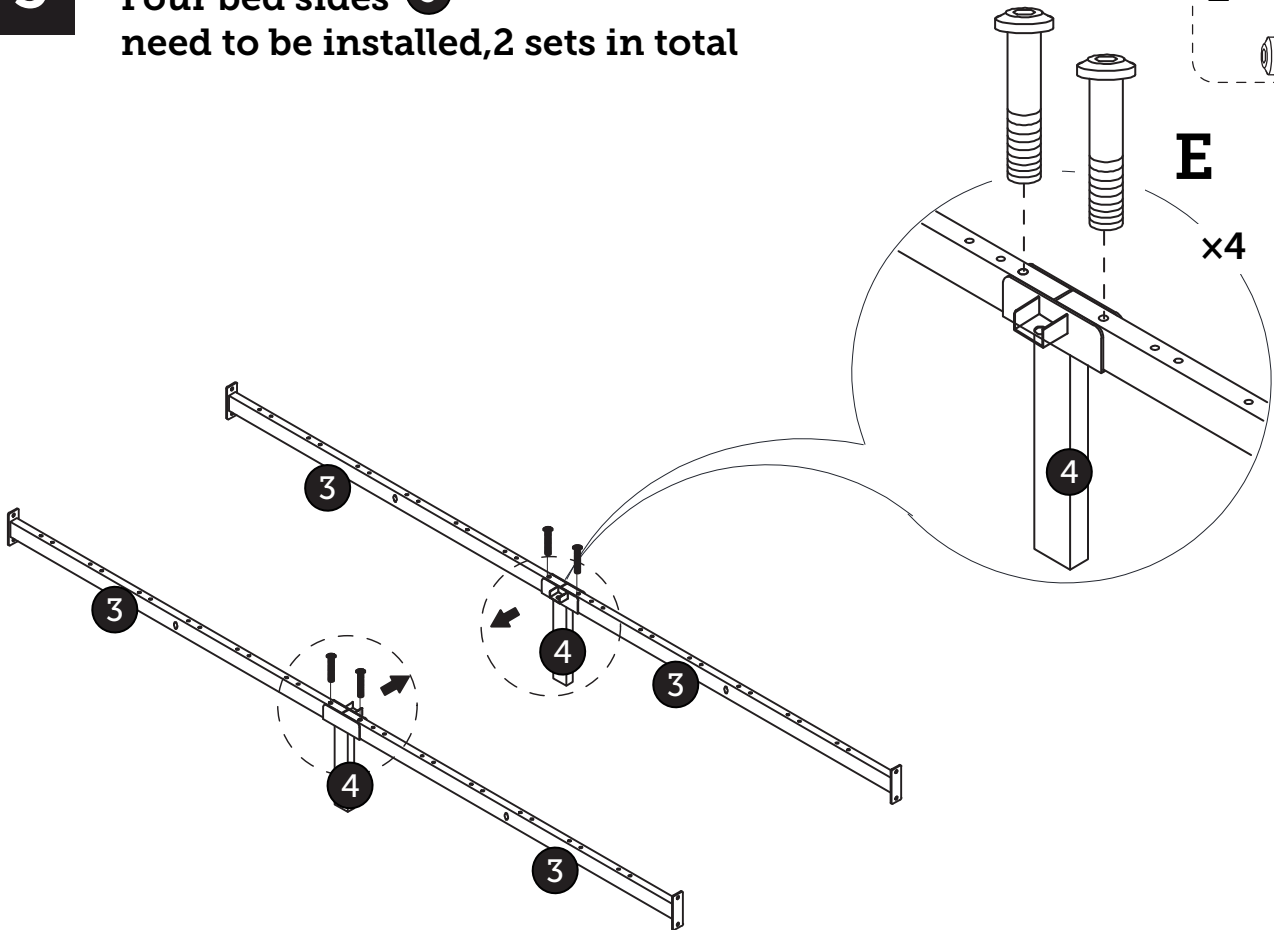


**1****2**

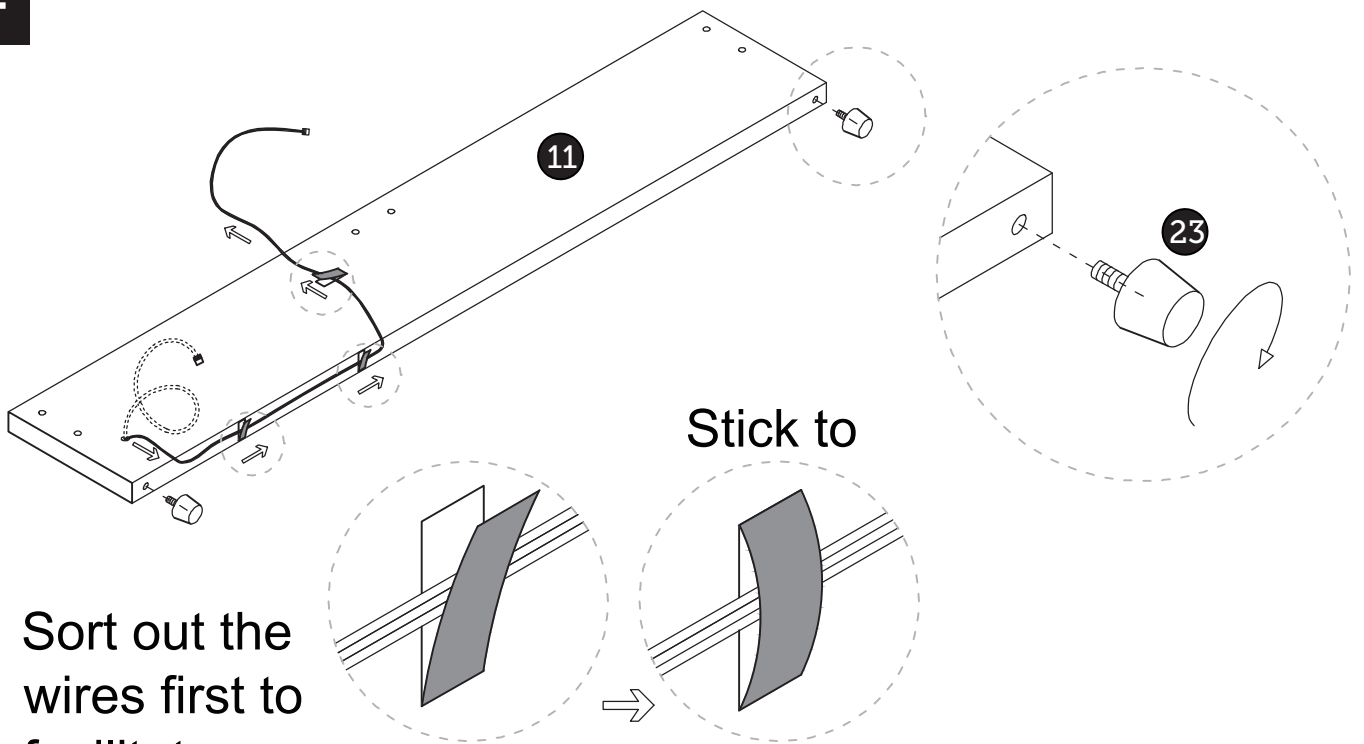
**3**

**Four bed sides <sup>3</sup>  
need to be installed, 2 sets in total**

**E M8\*55**  
 **x4**



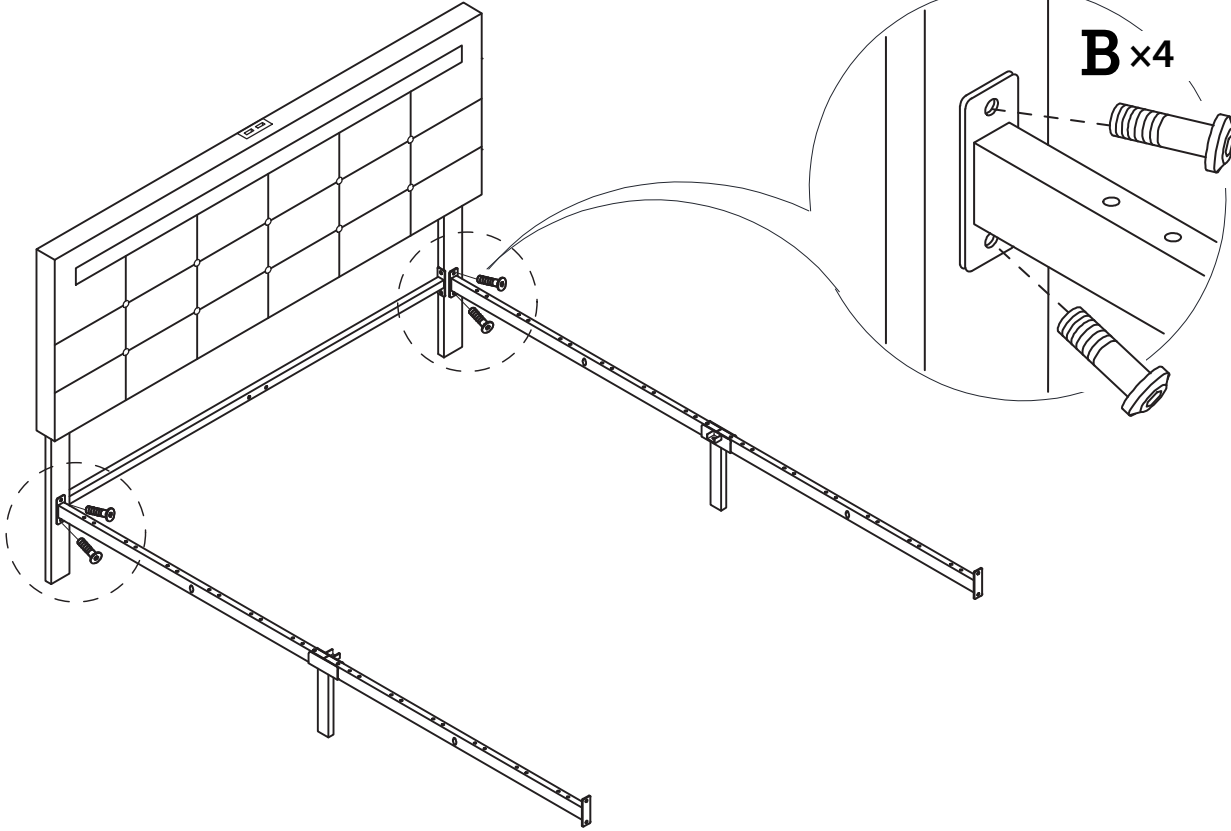
**4**



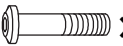
Sort out the wires first to facilitate subsequent installation.

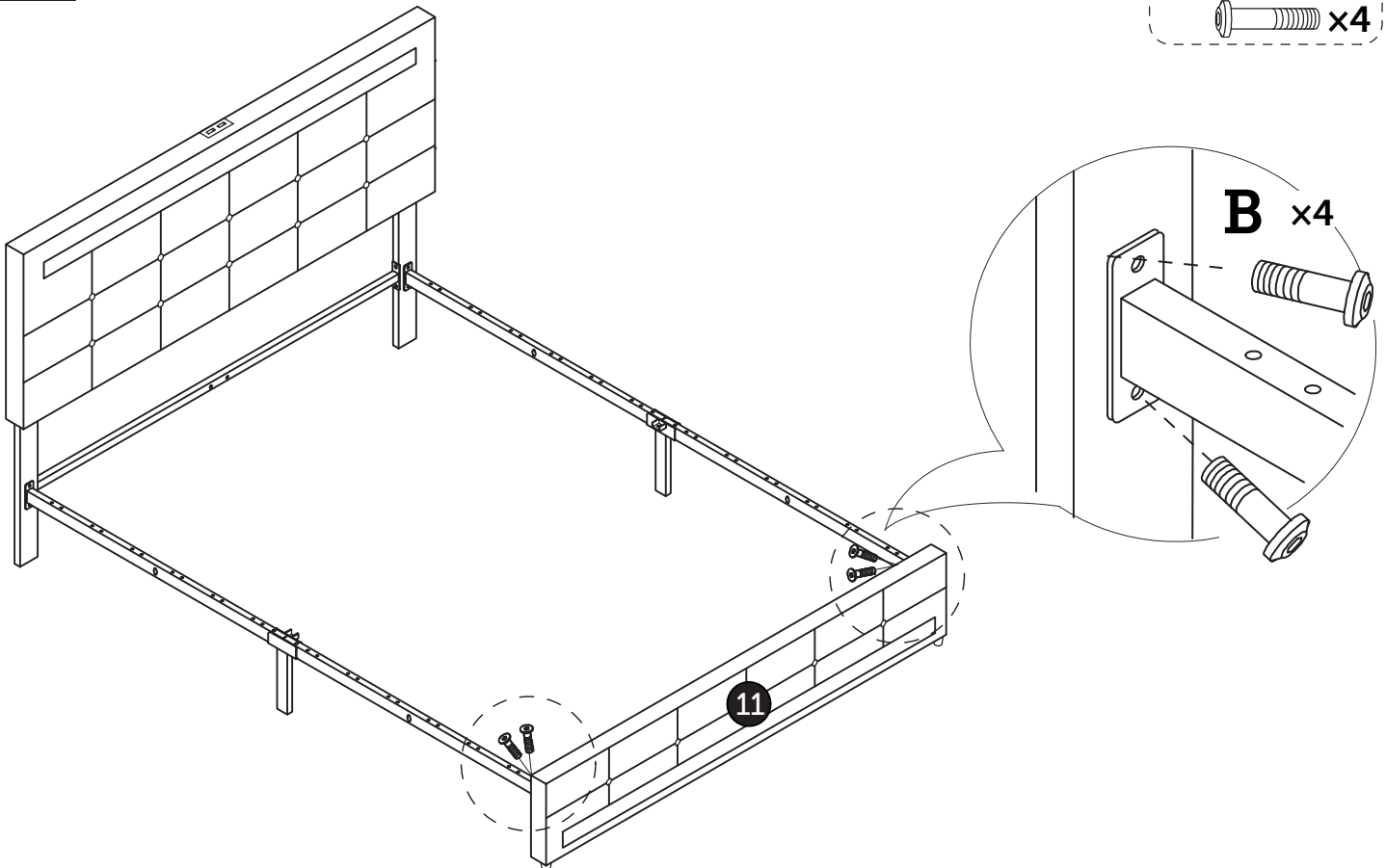
5

B M8\*25  
 x4

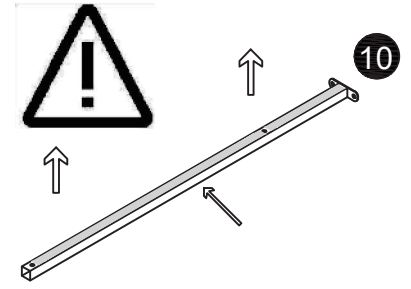
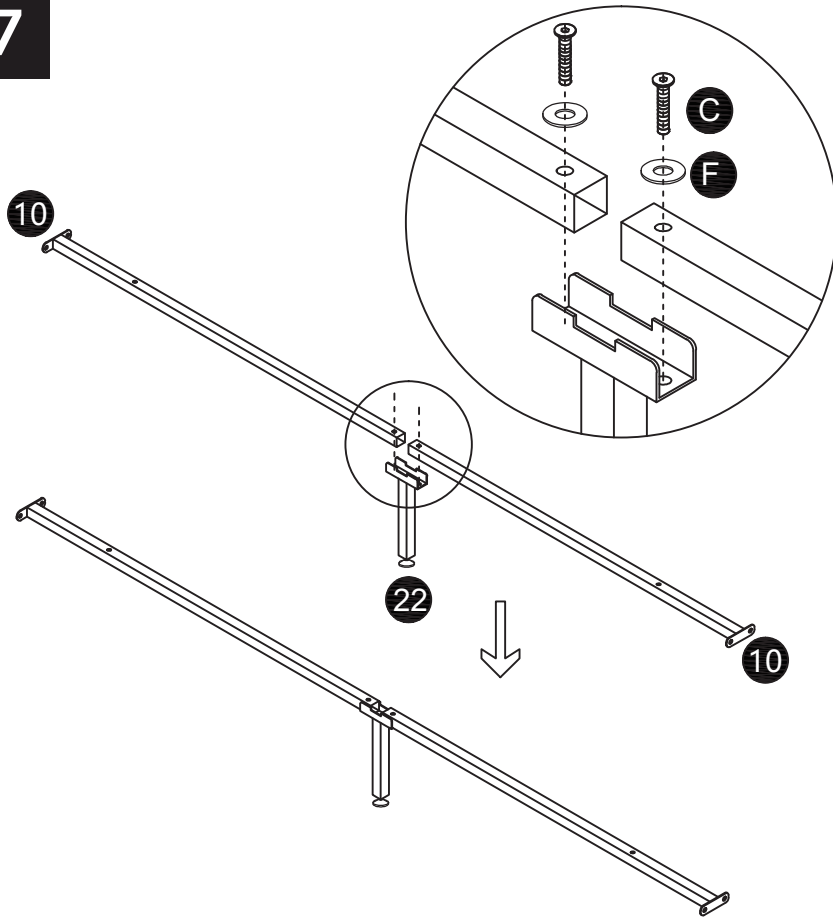


6

B M8\*25  
 x4




7



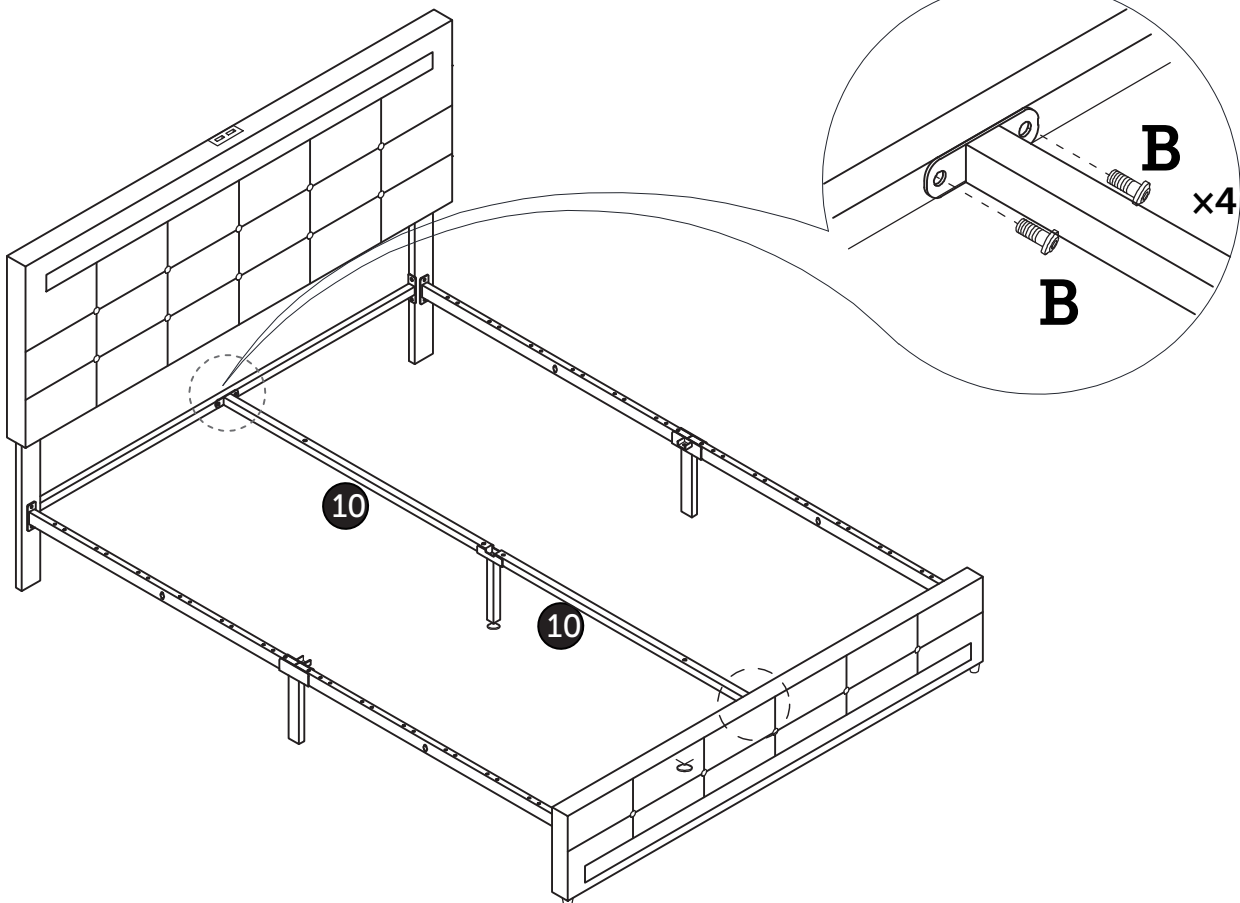
Please be sure to pay attention to the fact that there are mute stickers facing upwards during assembly, and the material feels soft to the touch

**C** M8\*35  
 x2

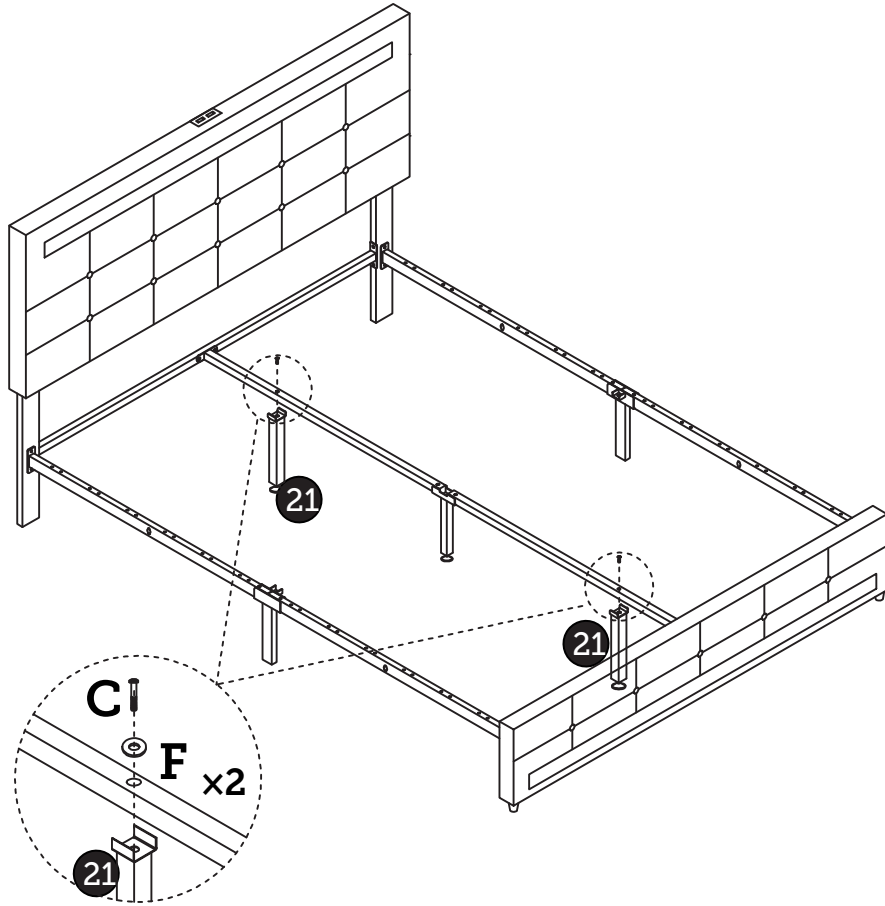
**F** M8  
 x2

8

**B** M8\*25  
 x4



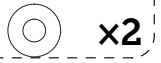
9



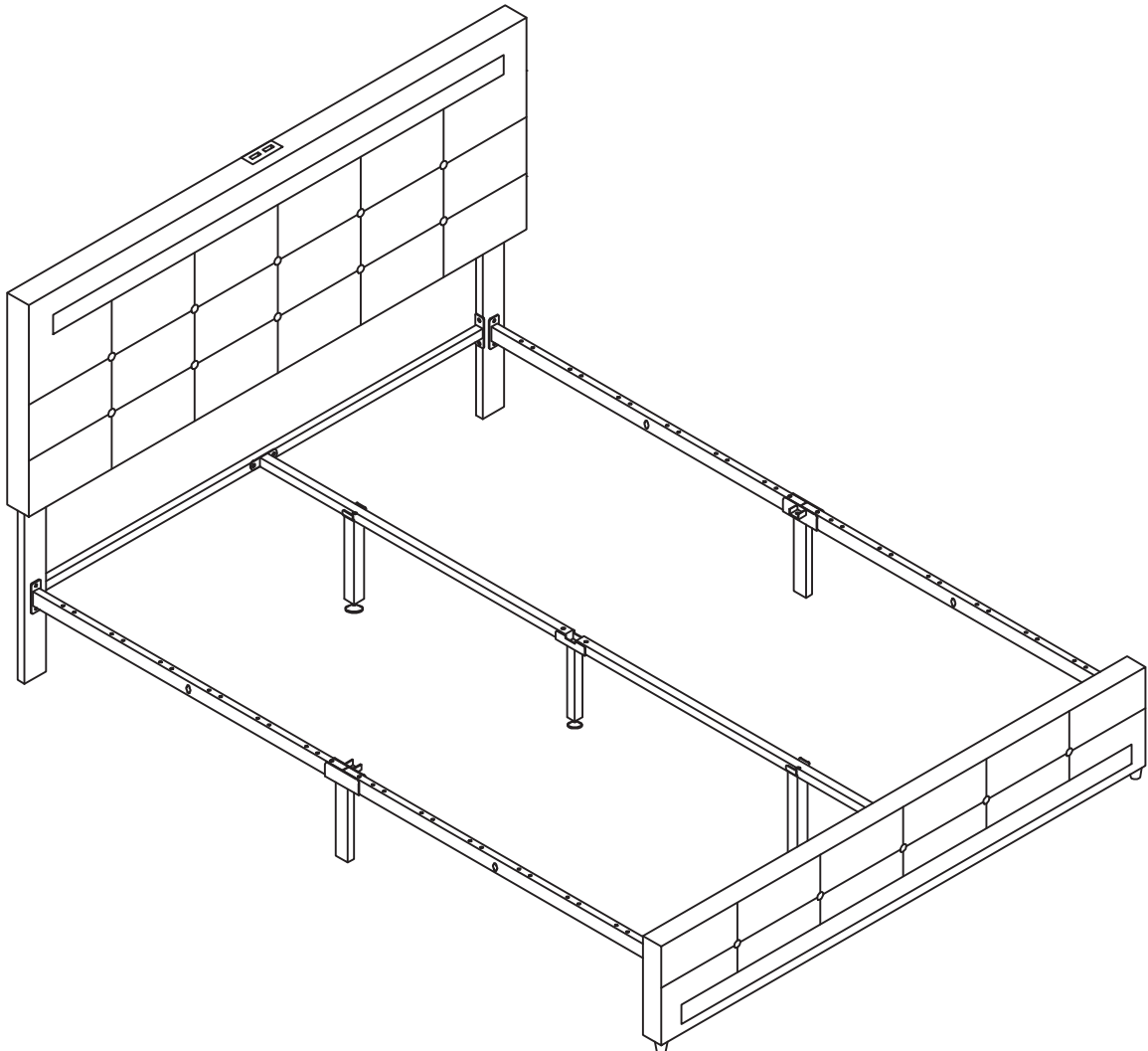
C M8\*35

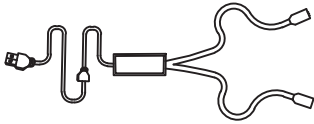


F M8



10

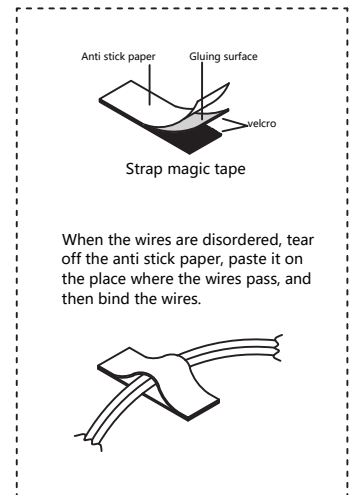




1PC  
Power cord

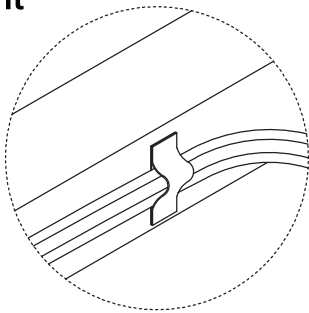


1PC  
Remote control



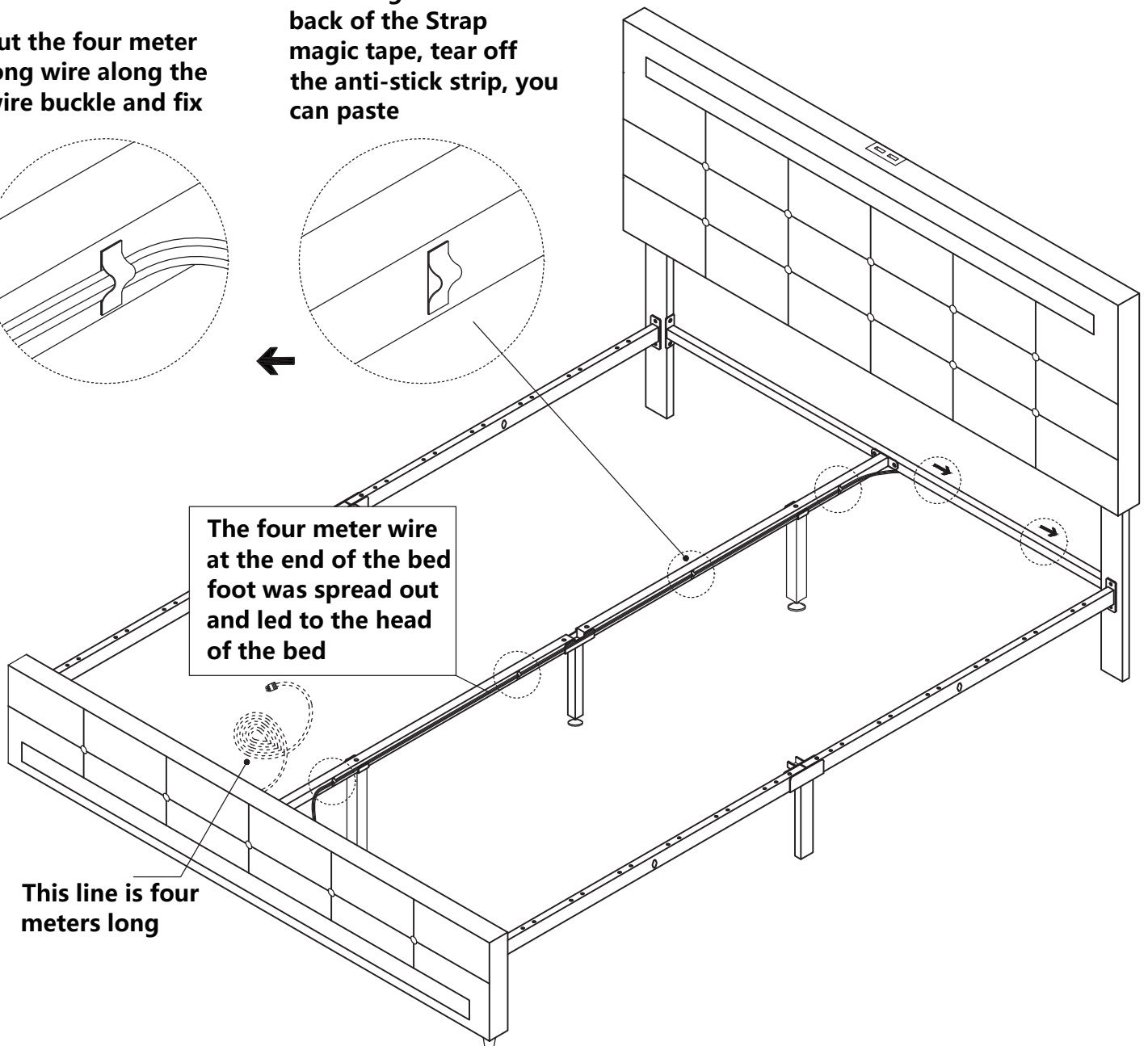
Put the four meter long wire along the wire buckle and fix it

There is glue on the back of the Strap magic tape, tear off the anti-stick strip, you can paste

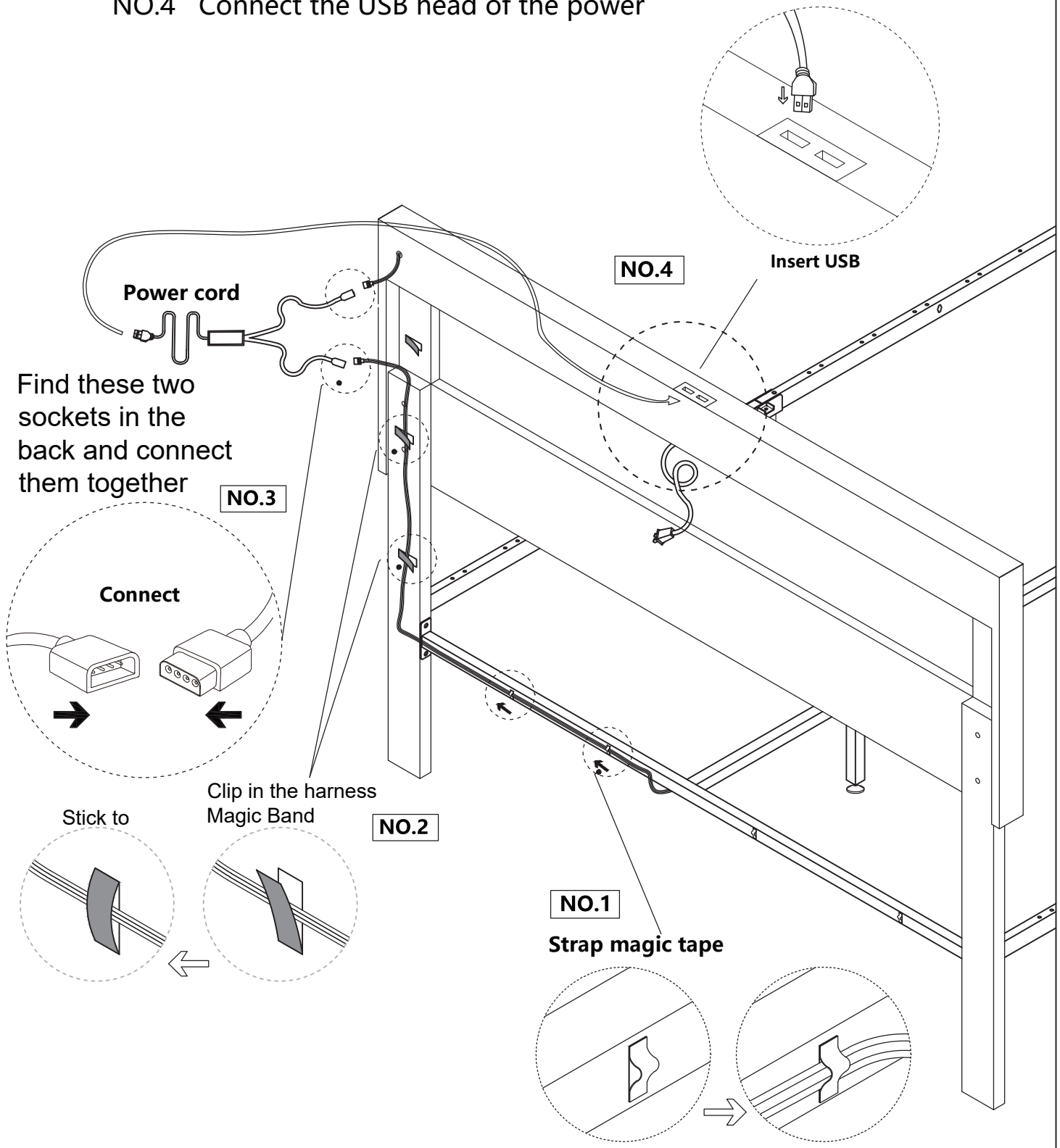


The four meter wire at the end of the bed foot was spread out and led to the head of the bed

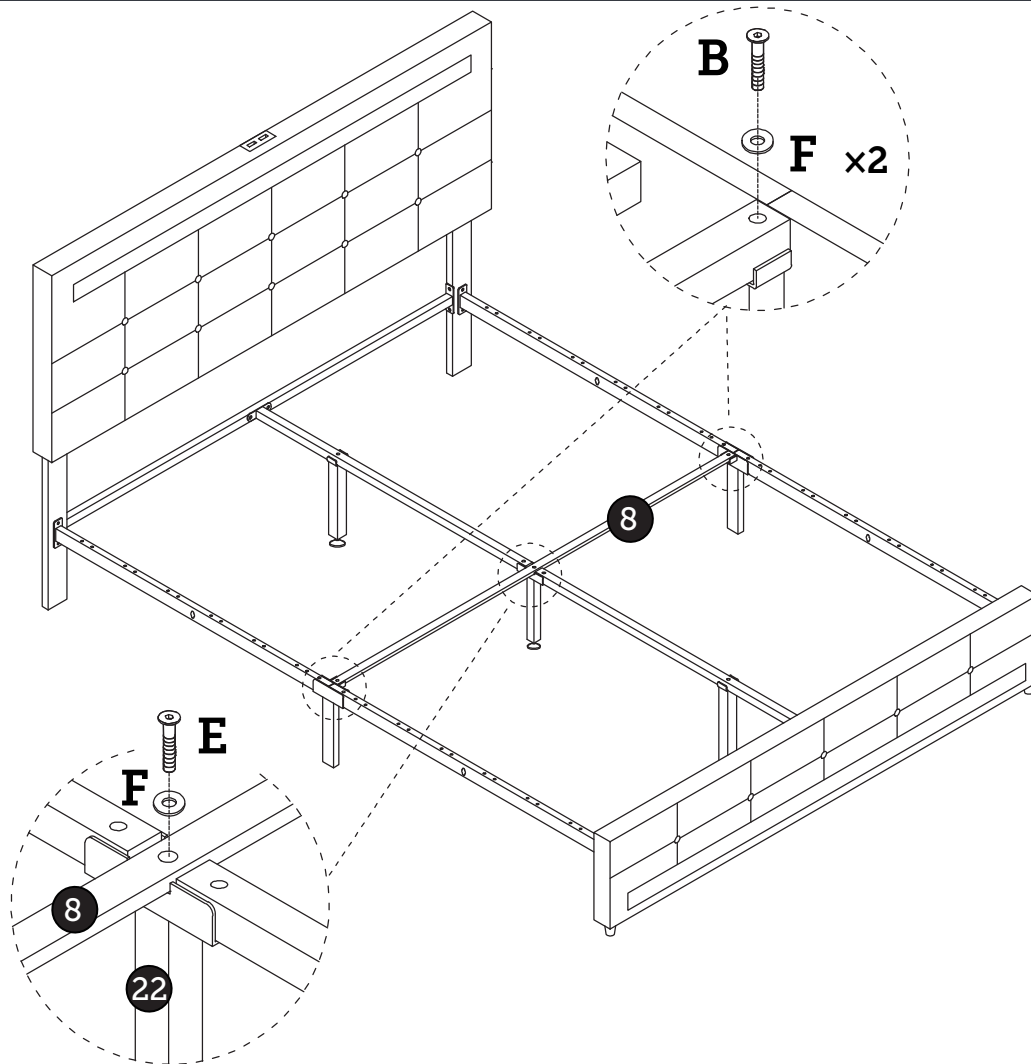
This line is four meters long

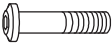
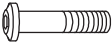



- NO.1 Pull the thread from behind
- NO.2 Tow onto the head of the bed
- NO.3 Connect with a power cord
- NO.4 Connect the USB head of the power

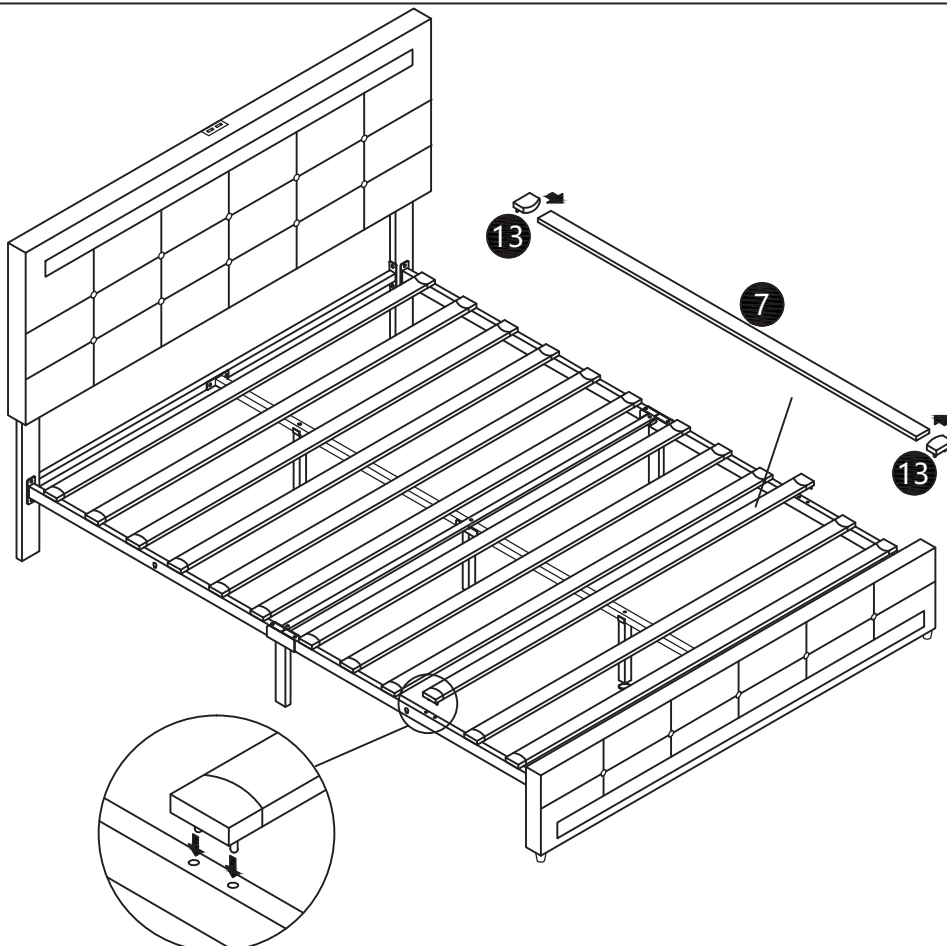


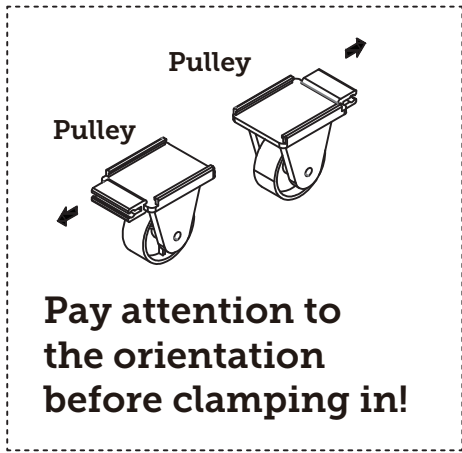
13



- B** M8\*25  
 x2
- E** M8\*55  
 x1
- F** M8  
 x3

14



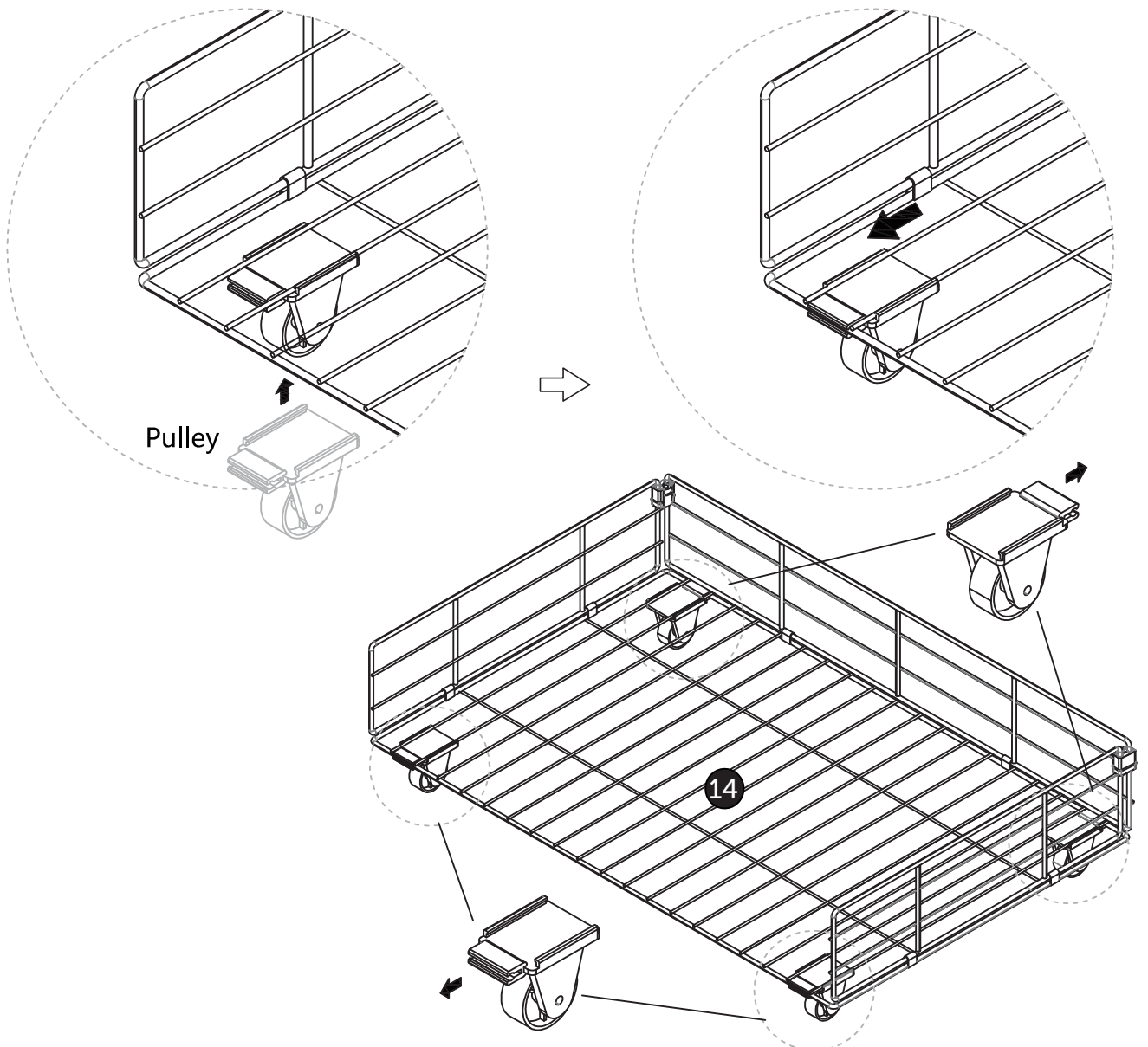


Please note that this drawer base (14) has front and back sides! please see the instructions clearly before assembling!!!

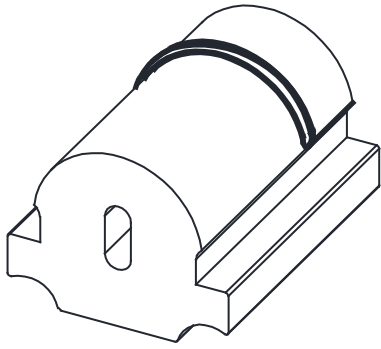


As shown in the figure Clip the pulley into position first

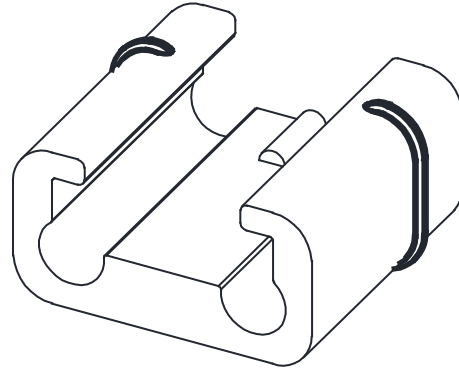
Then push the pulley to the side At the same time, clamp the iron wire at the edge. It takes a little strength



16



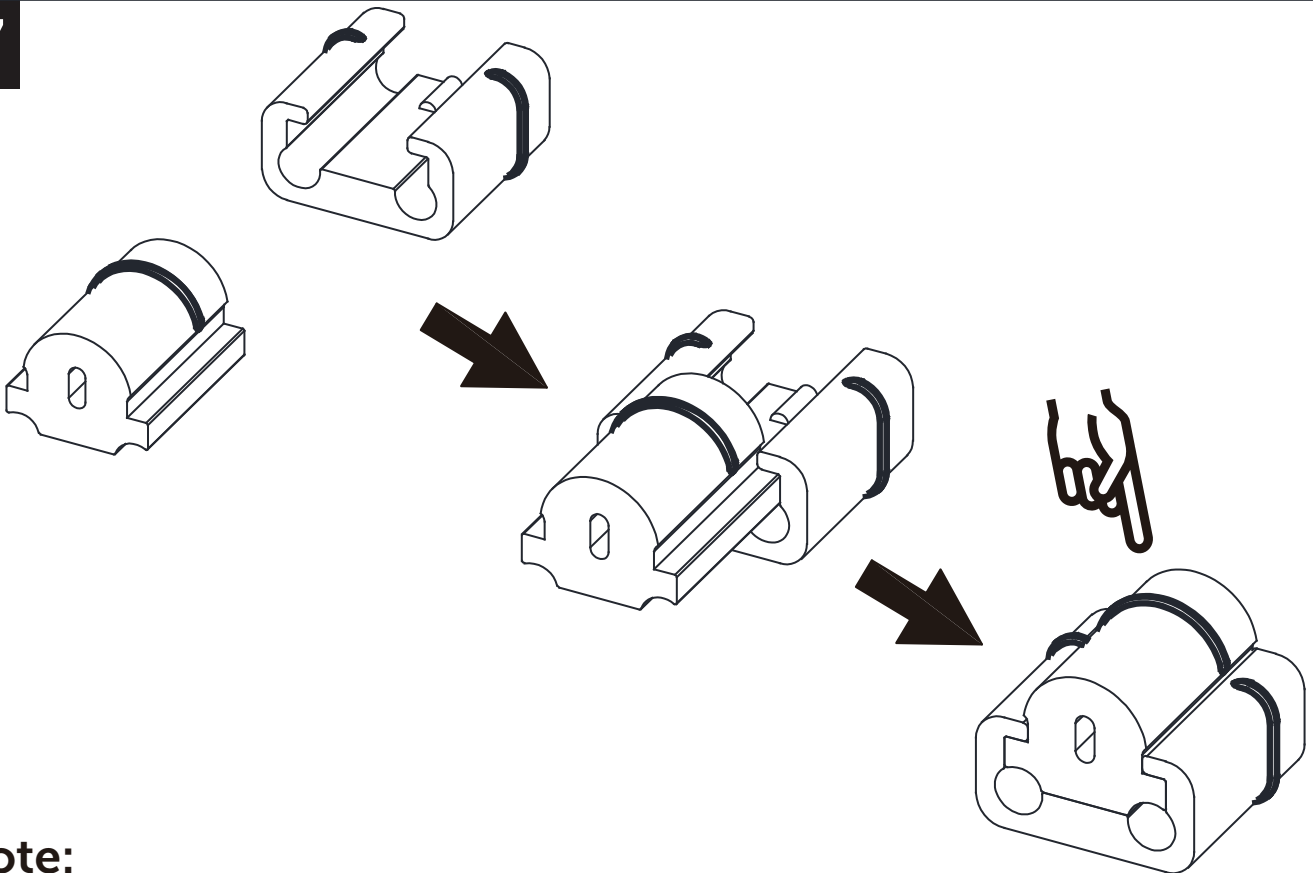
plastic buckle(A)



plastic buckle(B)

**Note that when you do this correctly, the darker colored lines on A and B should be facing the same direction**

17

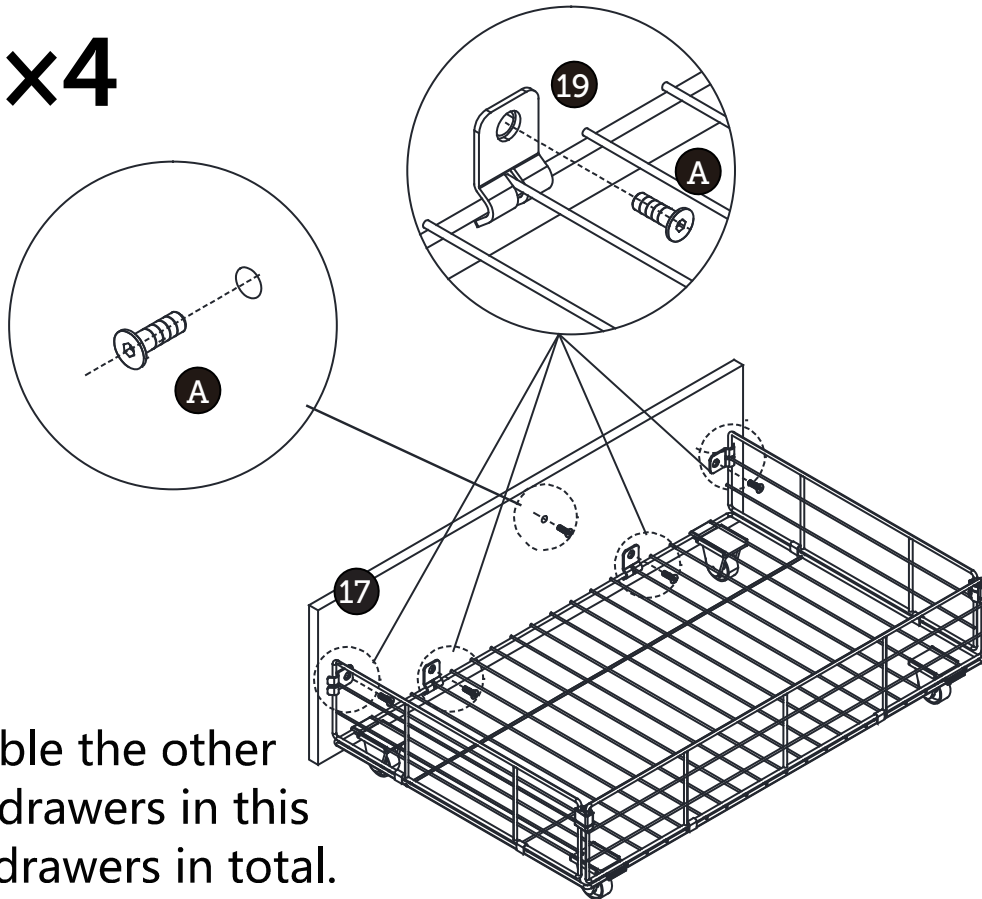


**Note:**

**This step is just to let you know how to put A and B together  
You may need this in the next steps on**

18

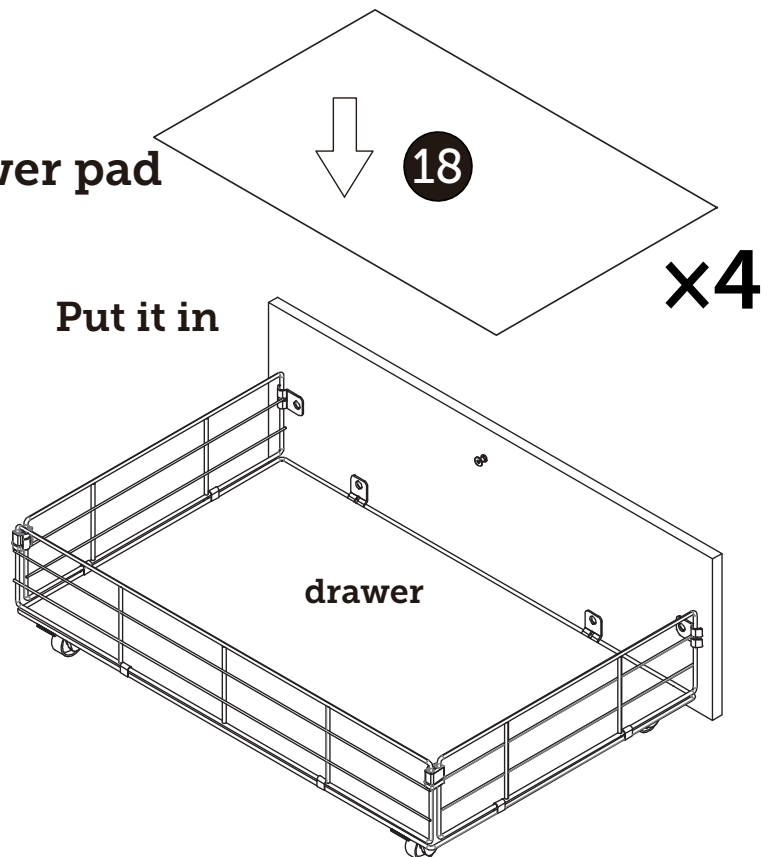
x4



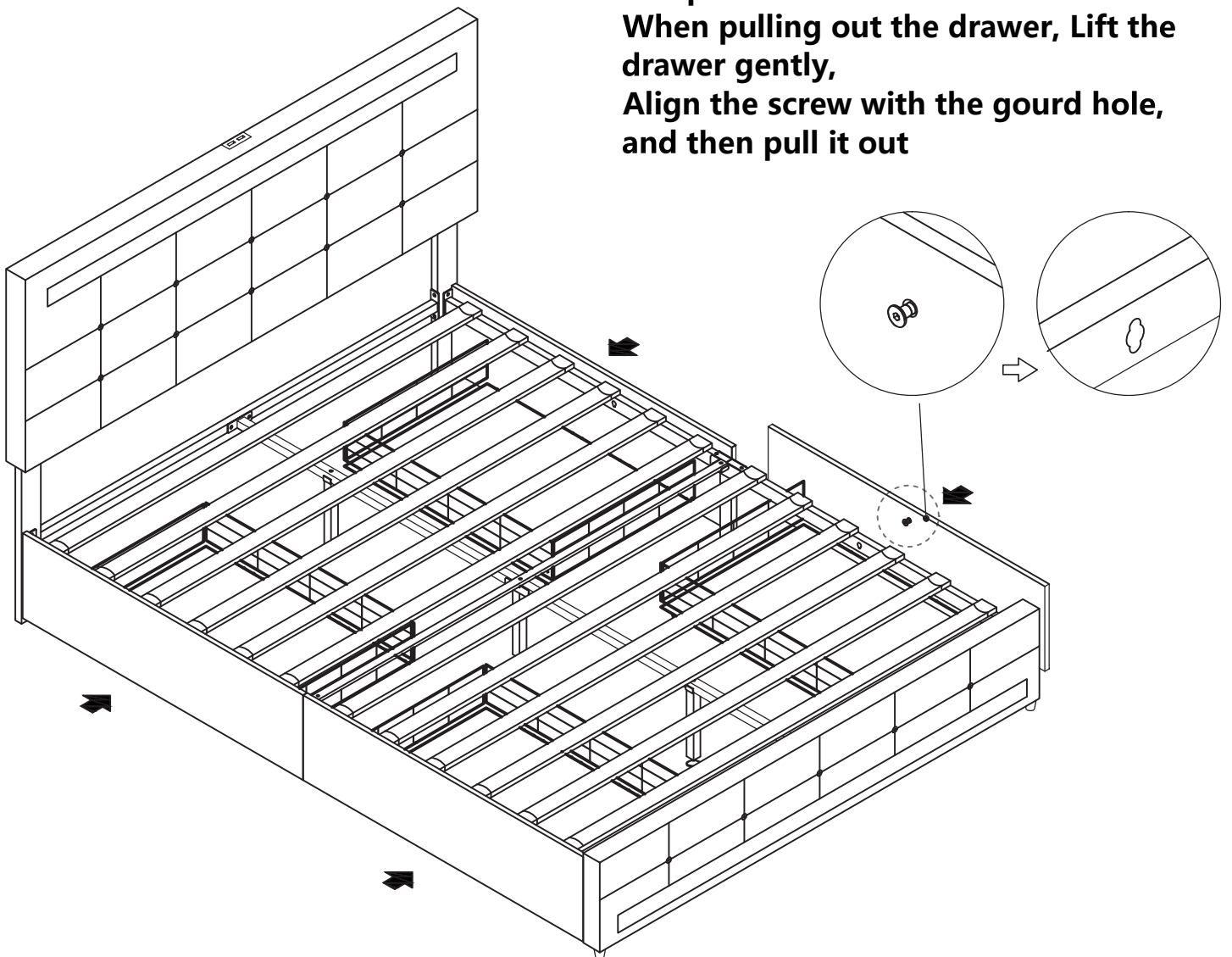
Assemble the other three drawers in this way. 4 drawers in total.

19

You must put the drawer pad (18) in the drawer



**When pushing into the drawer, Lift the drawer gently,  
Align the screw with the gourd hole and push in  
When pulling out the drawer, Lift the drawer gently,  
Align the screw with the gourd hole, and then pull it out**



**After installation, please  
remove the protective film  
from the lampshade**