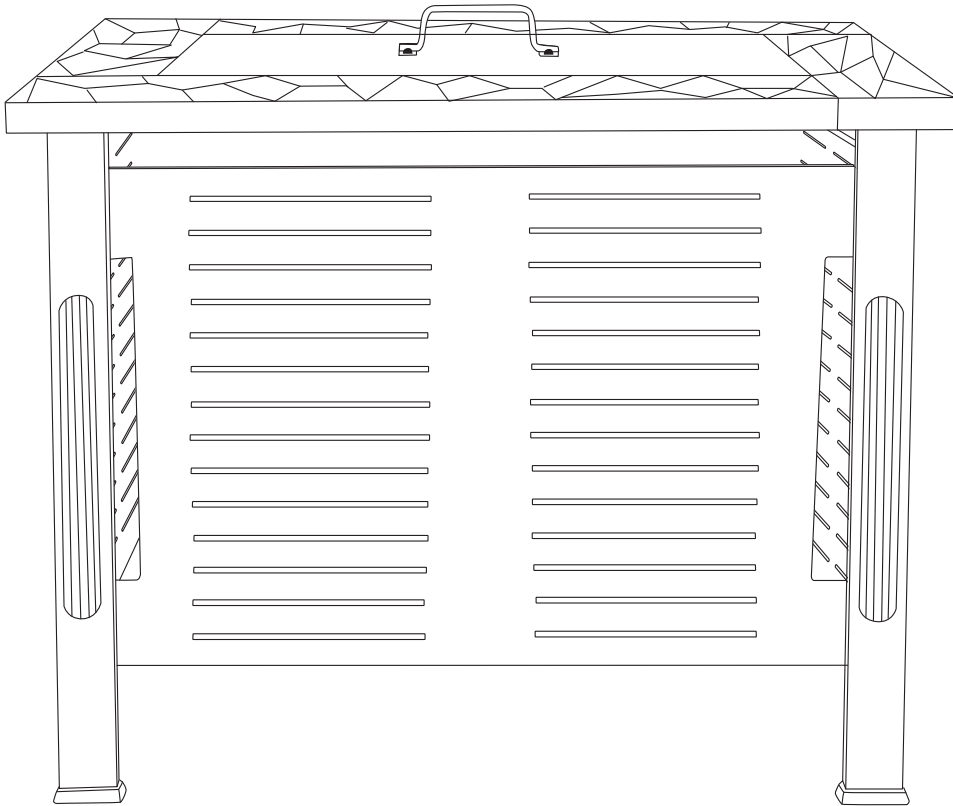


Fire Pit Table

Assembly Instruction



Important Information

- ☆ **Safety Distance:** Keep the fire pit table at least 1.5 meters away from any flammable materials during use.
- ☆ **Ventilation:** Use the fire pit table in a well-ventilated outdoor area. Avoid using it in enclosed spaces.
- ☆ **Protective Measures:** Wear protective gloves while using the fire pit table to prevent burns.
- ☆ **Child Safety:** Keep children away from the fire pit table and do not allow them to use it unsupervised to prevent accidents.
- ☆ **Cleaning and Maintenance:** Clean the fire pit table only after it has cooled down. Wipe the surface with a soft cloth and regularly remove ashes from the fire pit.
- ☆ **Extinguishing the Fire:** Use a fire extinguisher or let the fire burn out naturally by reducing the amount of wood.
- ☆ **Fuel Preparation:** Use dry firewood and avoid using wood that contains chemicals.

After-Sales Service

Thank you for choosing our fire pit table. If you encounter any issues during use, please contact our customer service team at any time. We offer a one-year warranty, during which any damage caused by product quality issues will be repaired or replaced free of charge.

Frequently Asked Questions

1. Why is the fire pit table producing a lot of smoke?

This may be due to using damp firewood or kindling. Make sure to use dry firewood and avoid materials containing chemicals.

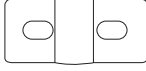





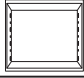


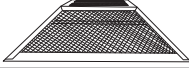


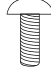

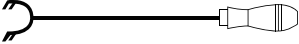
2. How do I deal with rust spots on the surface of the fire pit table?

Gently sand the rust spots with sandpaper and then apply high-temperature anti-rust paint to repair them.

3. How do I clean the fire pit table after use?

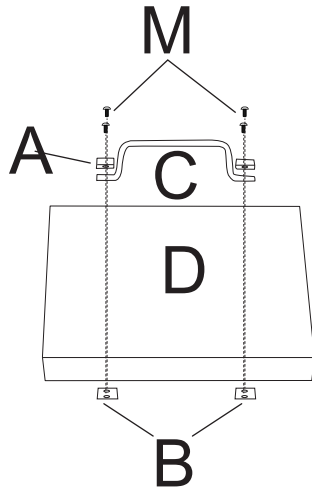
Once the fire pit table has cooled down, wipe the surface with a soft cloth and warm water. Regularly clean out the ashes inside the fire pit to maintain proper ventilation.

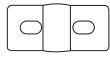




PARTS LIST

A		2PCS
B		2PCS
C		1PC
D		1PC
E		1PC
F		4PCS
G		1PC
H		4PCS
I		4PCS
J		1PC
K		1PC
L		1PC
M	 M6x30mm	40PCS
N		1PC
O		1PC

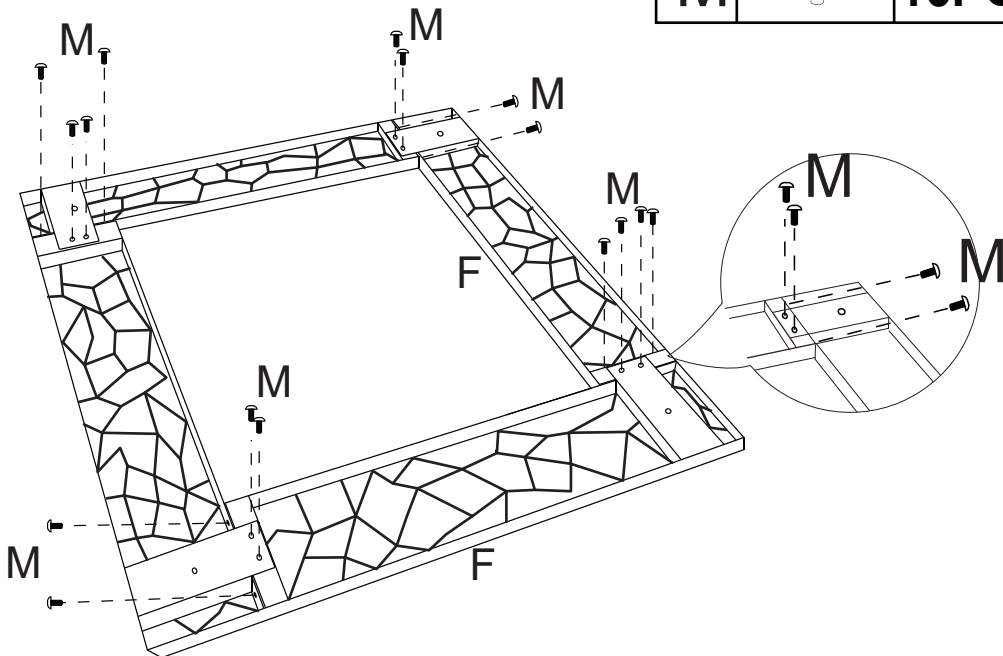
Assembly Guide

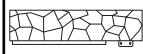

Step 1



A		2PCS
B		2PCS
C		1PC
D		1PC
M		4PCS

Step 2



F		4PCS
M		16PCS

Assembly Guide

Step 3

I

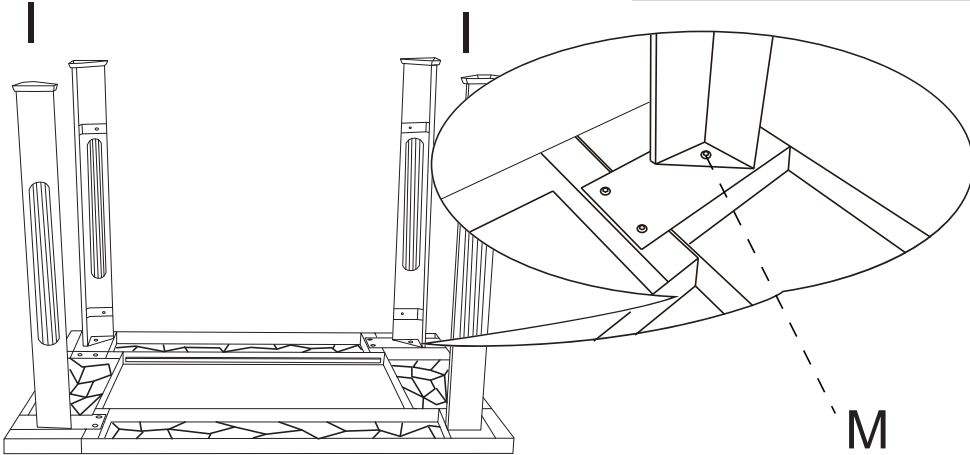


4PCS

M



4PCS



Step 4

H

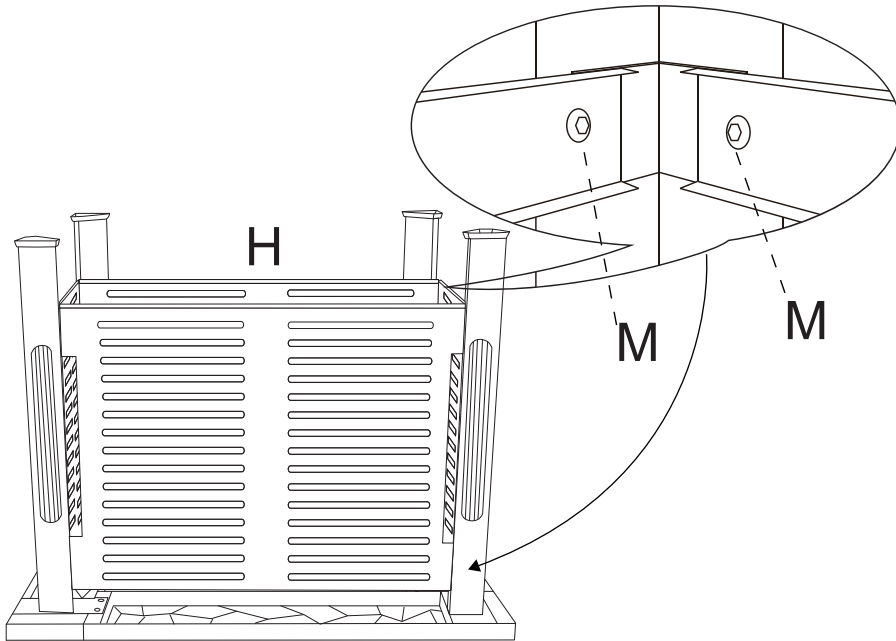


4PCS

M



16PCS



Assembly Guide

Step 5

E

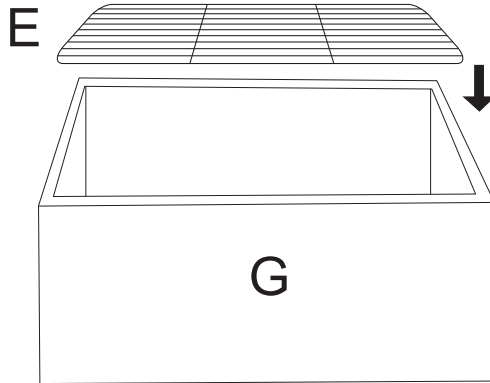


1PC

G

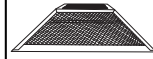


1PC



Step 6

J



1PC

K

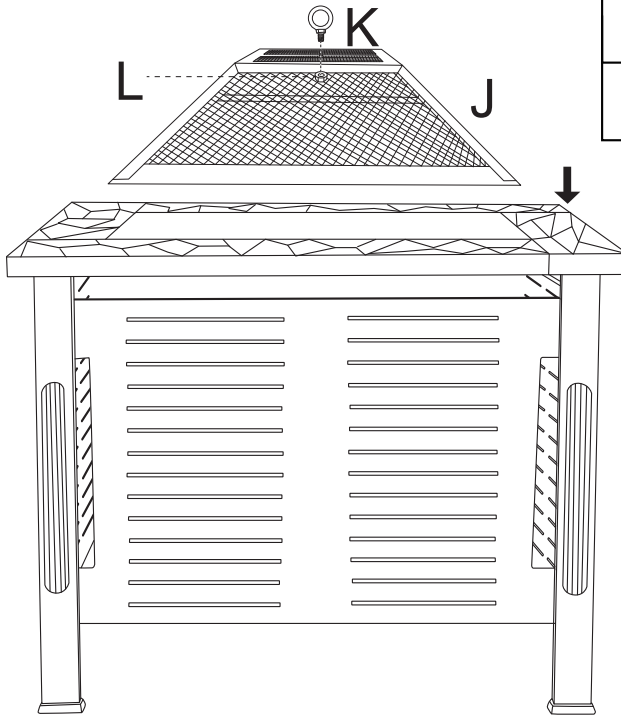


1PC

L



1PC



Assembly Guide

Step 7

