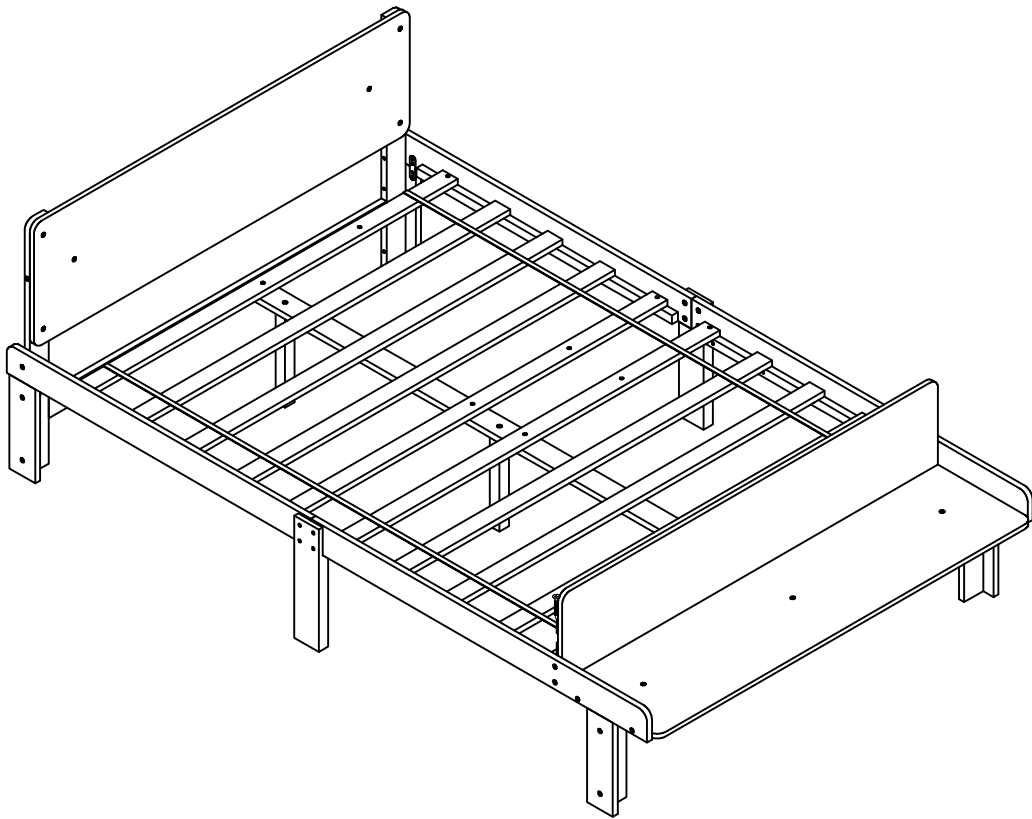


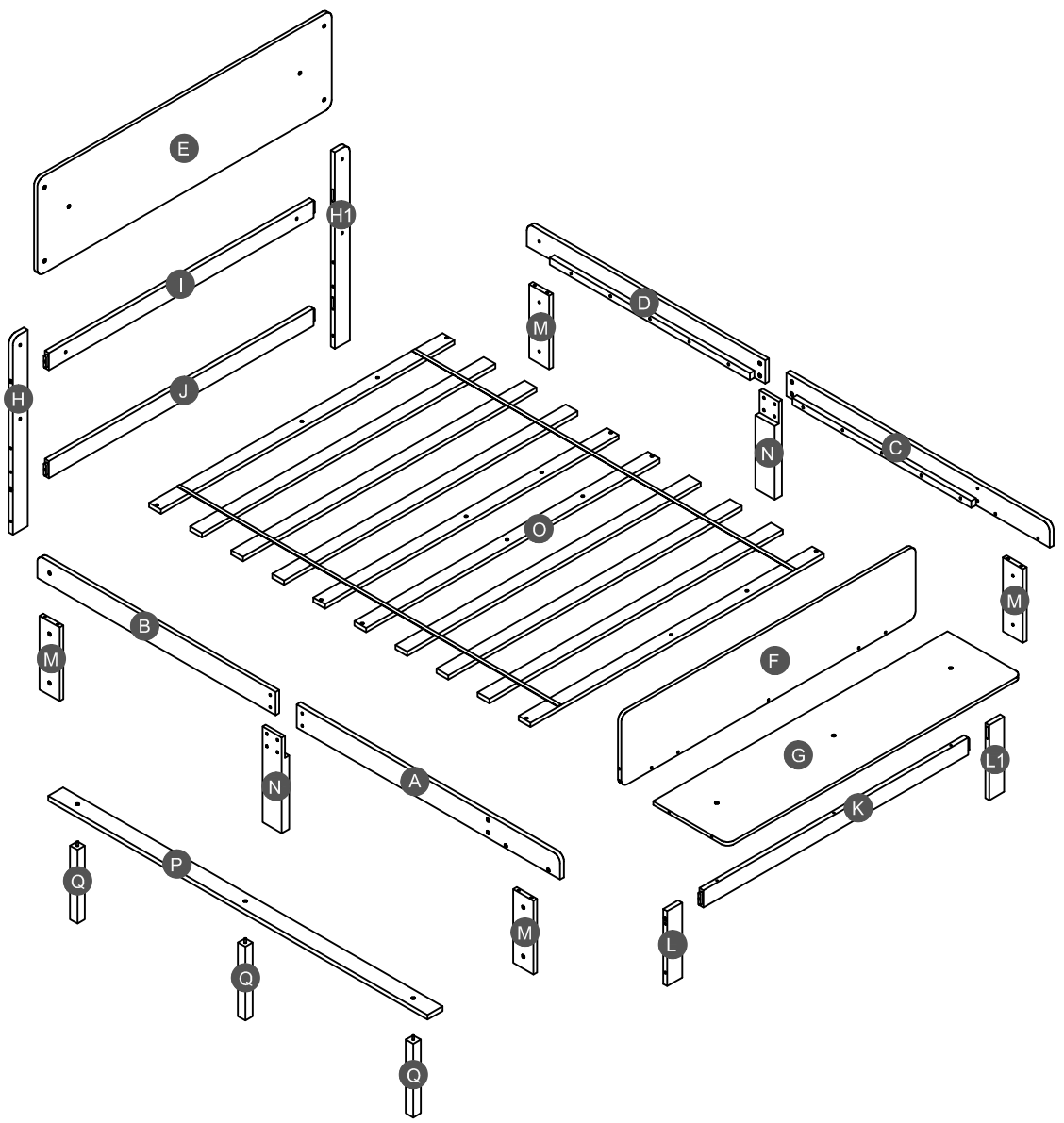
# ASSEMBLY INSTRUCTIONS

## FULL BED

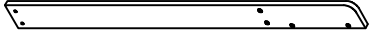
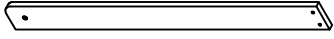
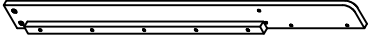
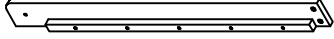
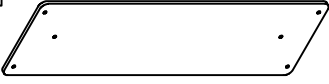
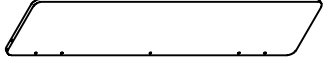


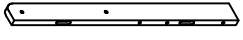
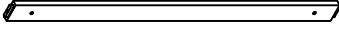
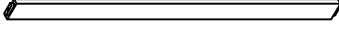
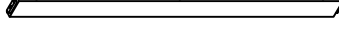
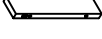
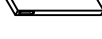
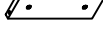
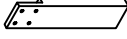
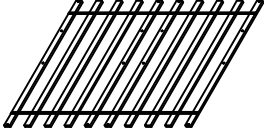
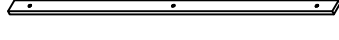
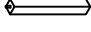


**ILA33774**

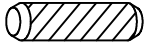
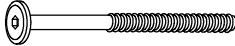
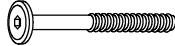





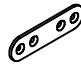
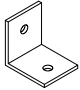

# Detail View



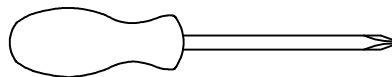
# Part List

<p><b>A</b></p>  <p>Side rail (Left front) - 1pc</p>	<p><b>B</b></p>  <p>Side rail (Left back) - 1pc</p>	<p><b>C</b></p>  <p>Side rail (Right front) - 1pc</p>
<p><b>D</b></p>  <p>Side rail (Right back) - 1pc</p>	<p><b>E</b></p>  <p>Back panel - 1pc</p>	<p><b>F</b></p>  <p>Divider panel - 1pc</p>
<p><b>G</b></p>  <p>Front panel - 1pc</p>	<p><b>H</b></p>  <p>Leg HB (Left) - 1pc</p>	<p><b>H1</b></p>  <p>Leg HB (Right) - 1pc</p>
<p><b>I</b></p>  <p>Upper horizontal bar HB - 1pc</p>	<p><b>J</b></p>  <p>Lower horizontal bar HB - 1pc</p>	<p><b>K</b></p>  <p>Horizontal bar FB - 1pc</p>
<p><b>L</b></p>  <p>Leg FB (Left) - 1pc</p>	<p><b>L1</b></p>  <p>Leg FB (Right) - 1pc</p>	<p><b>M</b></p>  <p>Support leg - 4pcs</p>
<p><b>N</b></p>  <p>Support side rail - 2pcs</p>	<p><b>O</b></p>  <p>Slat - 1Set = 10pcs</p>	<p><b>P</b></p>  <p>Lower support slat - 1pc</p>
<p><b>Q</b></p>  <p>Leg support - 3pcs</p>		

# Hardware List



<b>1</b>  Ø8*30mm Wood dowel (10pcs)	<b>2</b>  (Ø15)1/4"*100mm Hex-Head bolts (6pcs)	<b>3</b>  (Ø12)1/4"*60mm Hex-Head bolts (21pcs)
<b>4</b>  (Ø12)1/4"*30mm Hex-Head bolts (14pcs)	<b>5</b>  1/4"*15 (9.5mm) Horizontal-Hole bolts(27pcs)	<b>6</b>  (Ø12)1/4"*40mm Hex-Head bolts (3pcs)
<b>7</b>  (1/4")4.5*58mm Allen key (1pc)	<b>8</b>  Ø4*30mm Wood screws (12pcs)	<b>9</b>  75*20*2 mm Metal bracket (4pcs)
<b>10</b>  24*28*28*2mm Metal bracket (4pcs)	<b>11</b>  Ø3.5*15mm Wood screws (24pcs)	

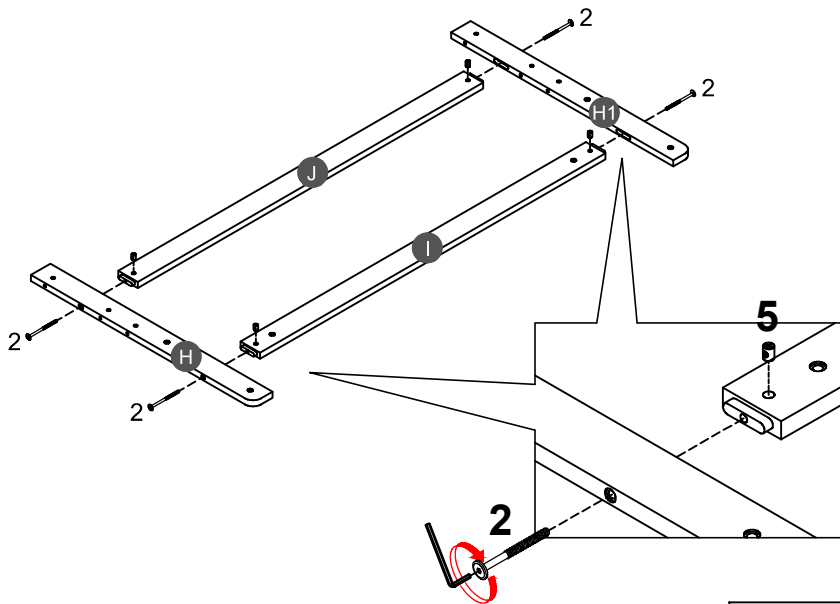
## ASSEMBLY TOOLS REQUIRED ( NOT INCLUDED )



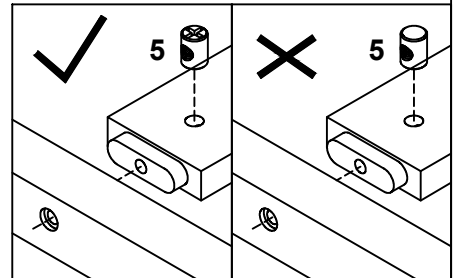
PLEASE BE CAREFUL DO NOT DAMAGE THE HOLE POSITION WHEN YOU USE POWER TOOLS !

**STEP 1:**


<b>2</b>		<b>5</b>	
<b>4PCS</b>		<b>4PCS</b>	

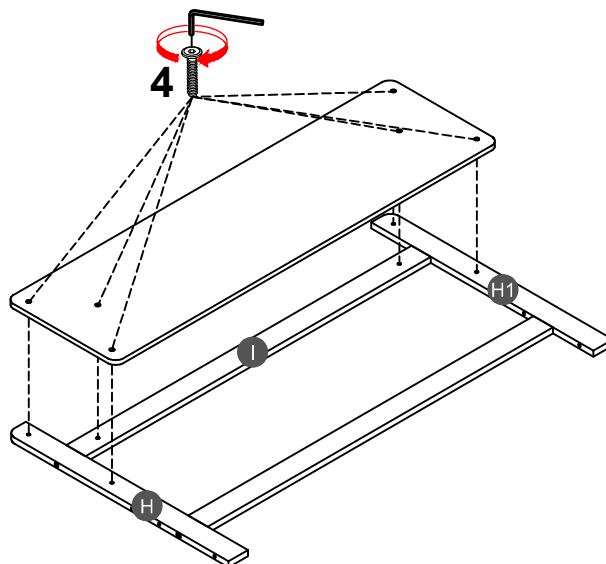


Note: Part 5 will face up with the "x" mark on it, otherwise it cannot be tightened

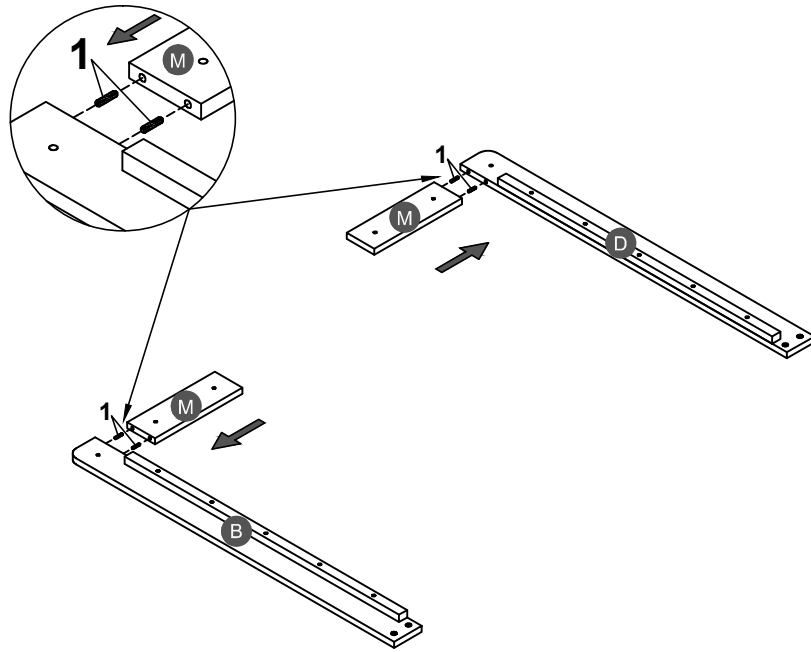



**STEP 2:**

<b>4</b>	
<b>6PCS</b>	

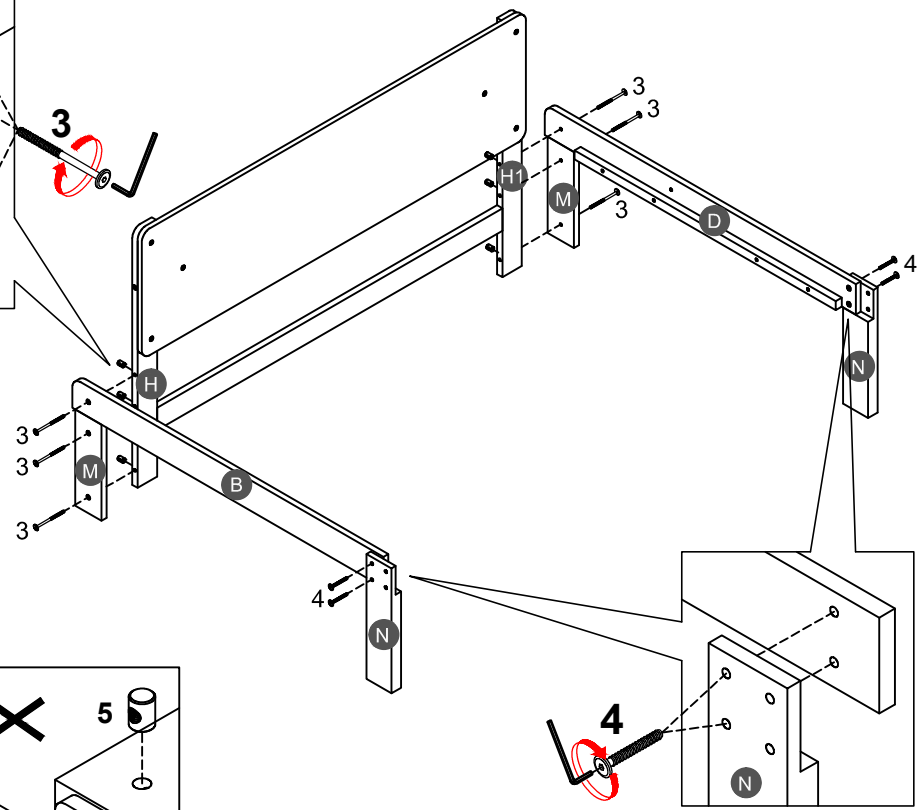
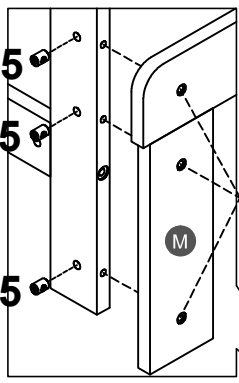





**STEP 3:**

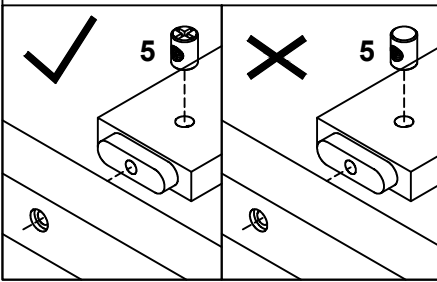


<b>1</b>	
<b>4PCS</b>	

**STEP 4:**

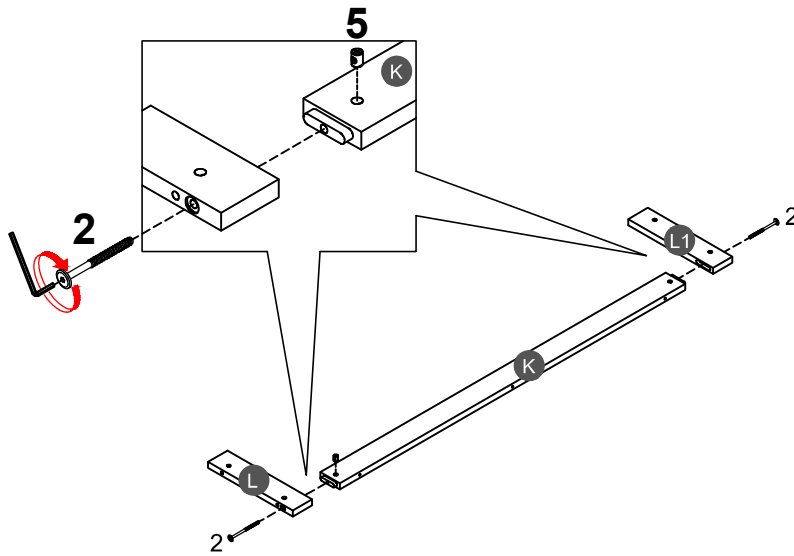




<b>3</b>		<b>4</b>	
<b>6PCS</b>		<b>4PCS</b>	
		<b>5</b>	
<b>6PCS</b>			



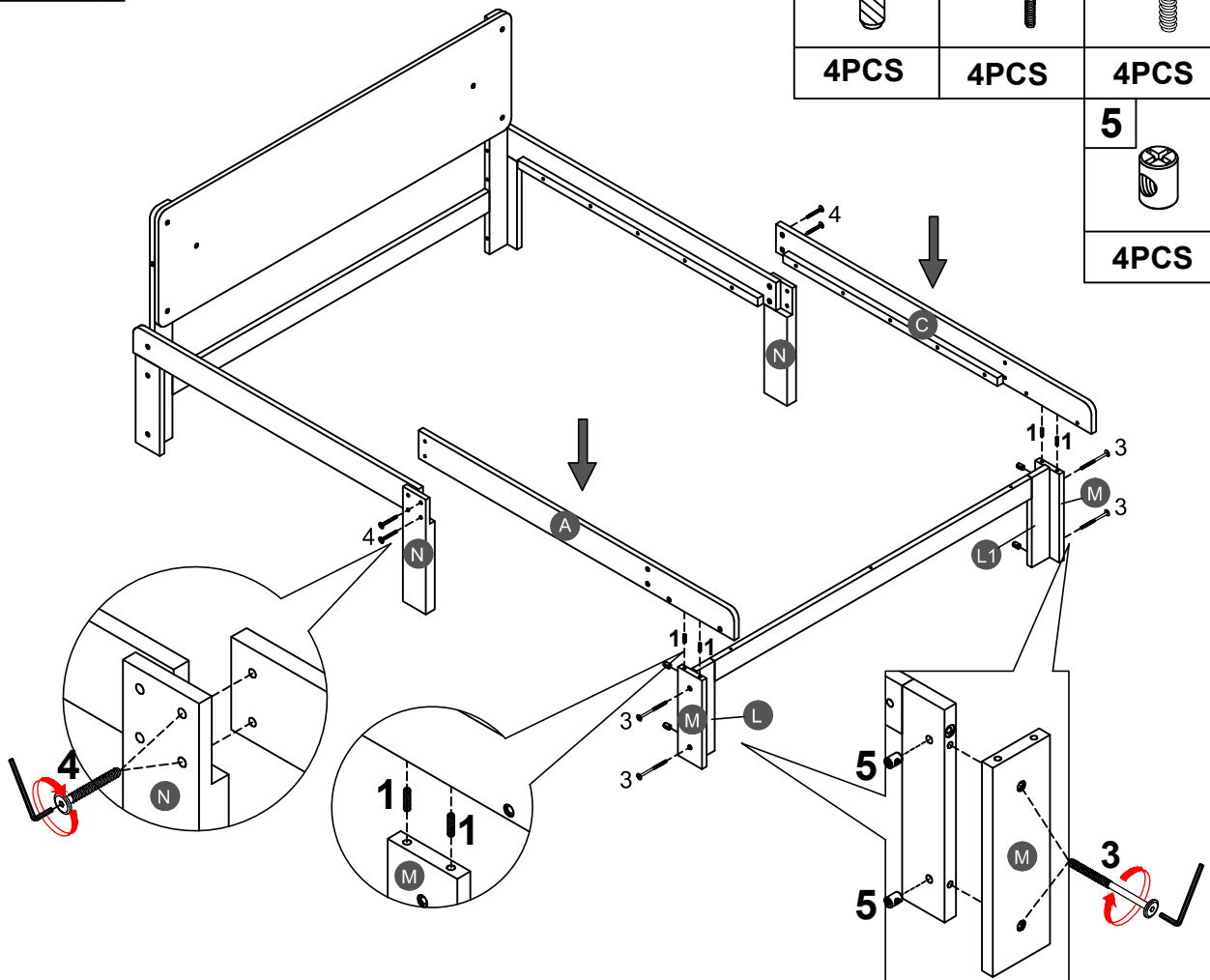
Note: Part 5 will face up with the "x" mark on it, otherwise it cannot be tightened





**STEP 5:**





<b>2</b>		<b>5</b>	
<b>2PCS</b>		<b>2PCS</b>	

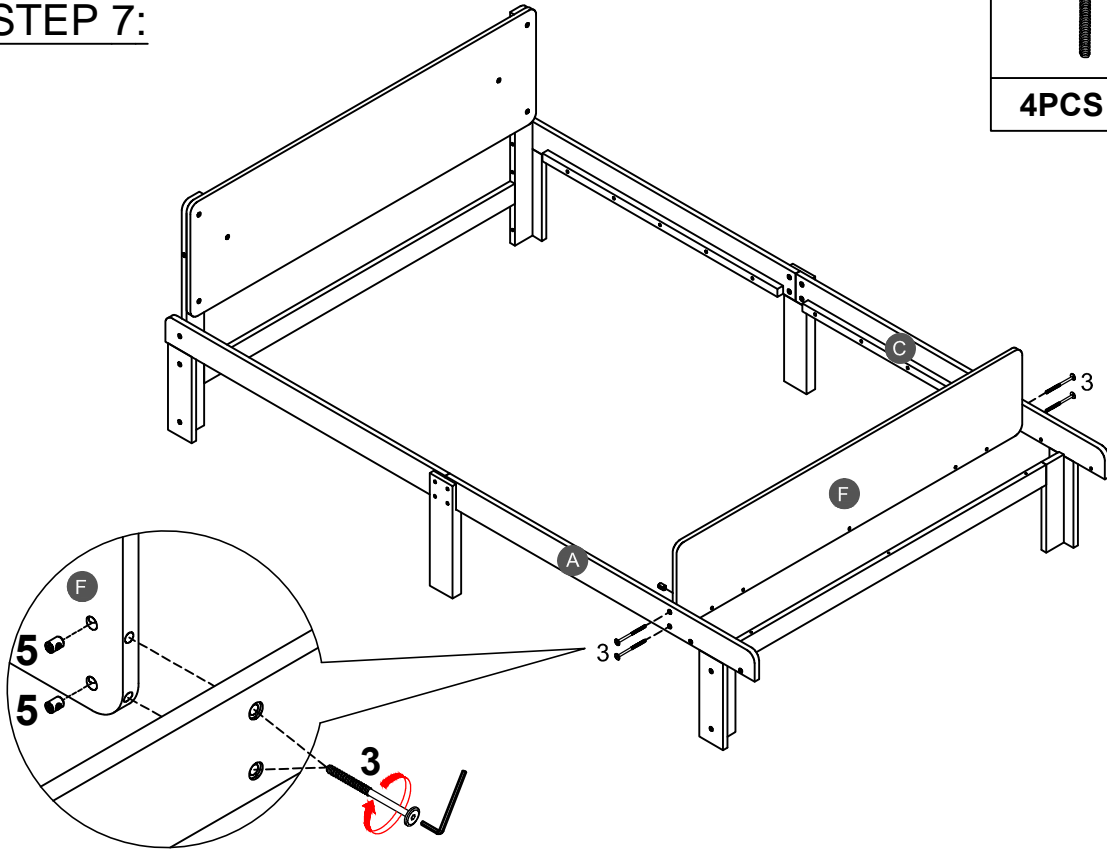
**STEP 6:**




<b>1</b>		<b>3</b>		<b>4</b>	
<b>4PCS</b>		<b>4PCS</b>		<b>4PCS</b>	
					<b>5</b>
					
					<b>4PCS</b>

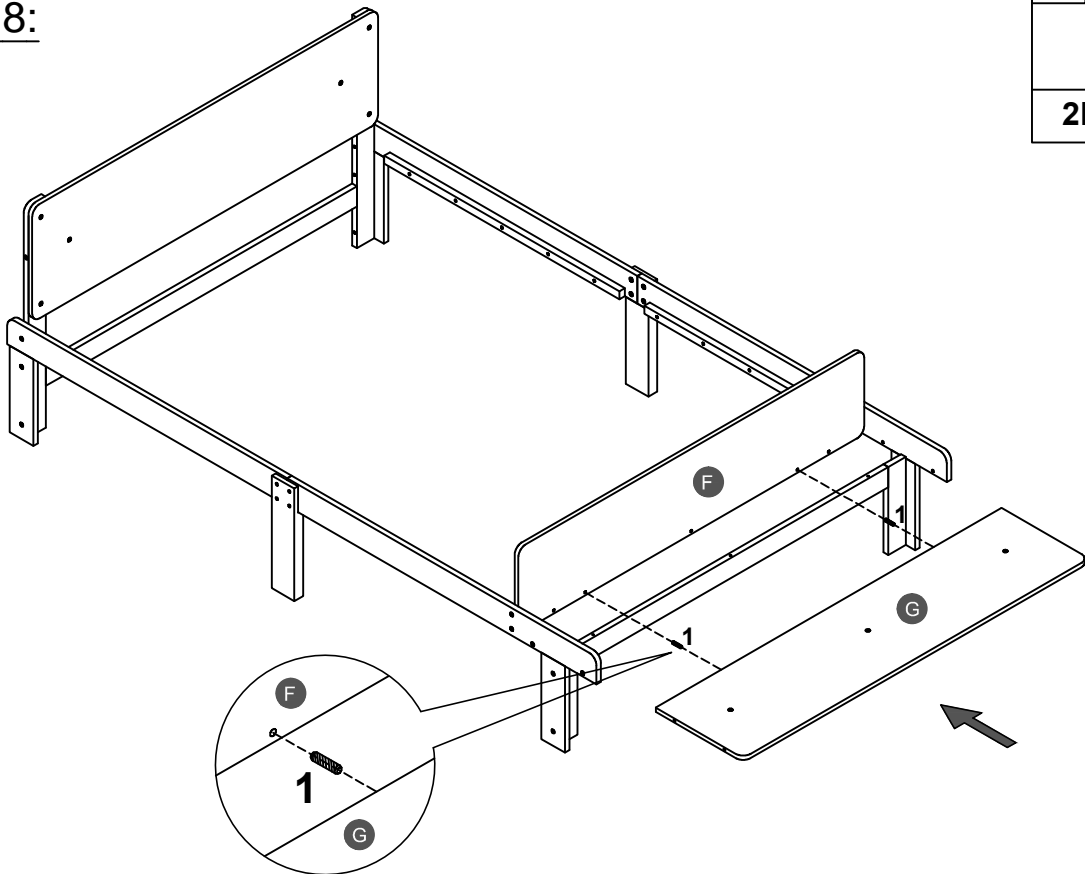
**STEP 7:**

<b>3</b>		<b>5</b>	
<b>4PCS</b>		<b>4PCS</b>	

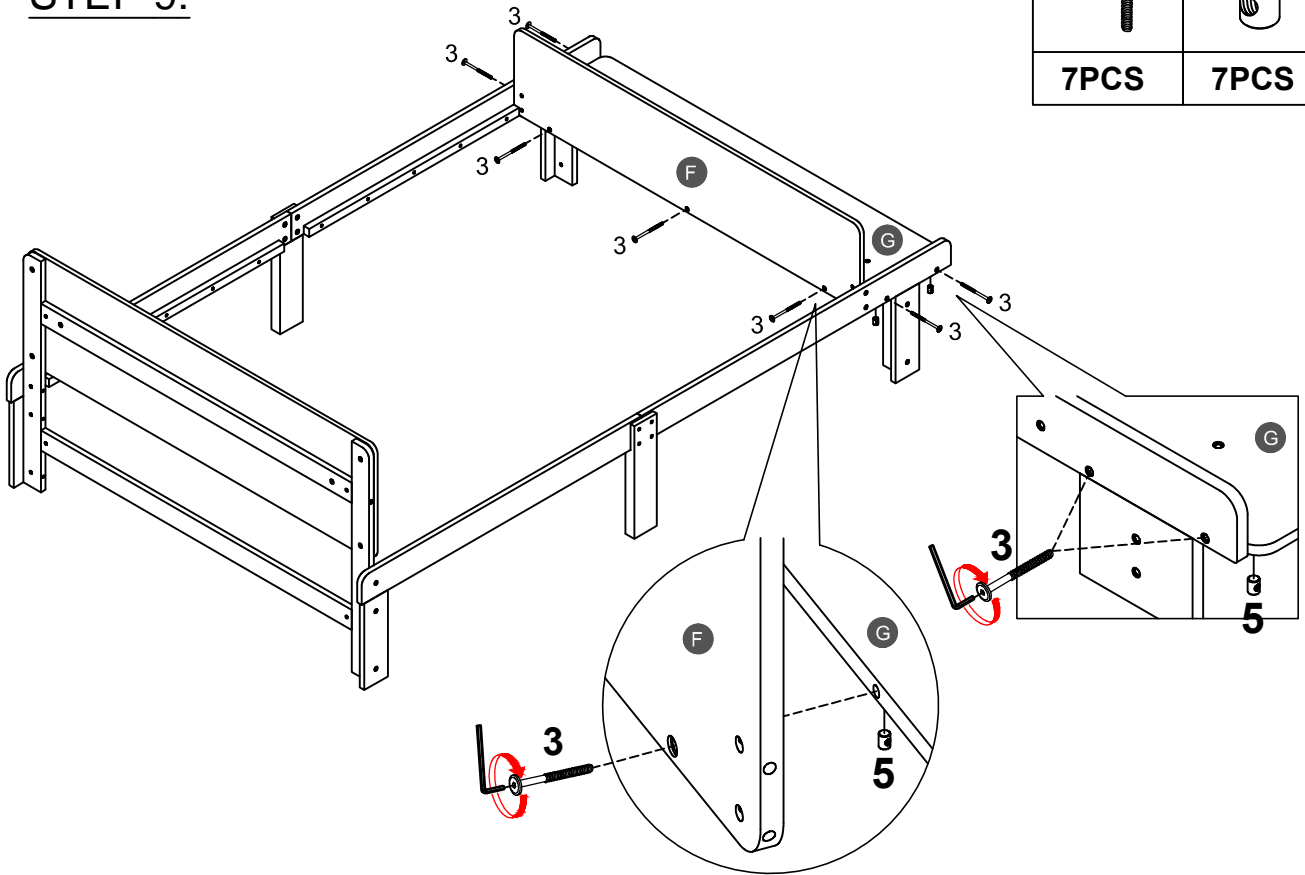




**STEP 8:**

<b>1</b>	
<b>2PCS</b>	

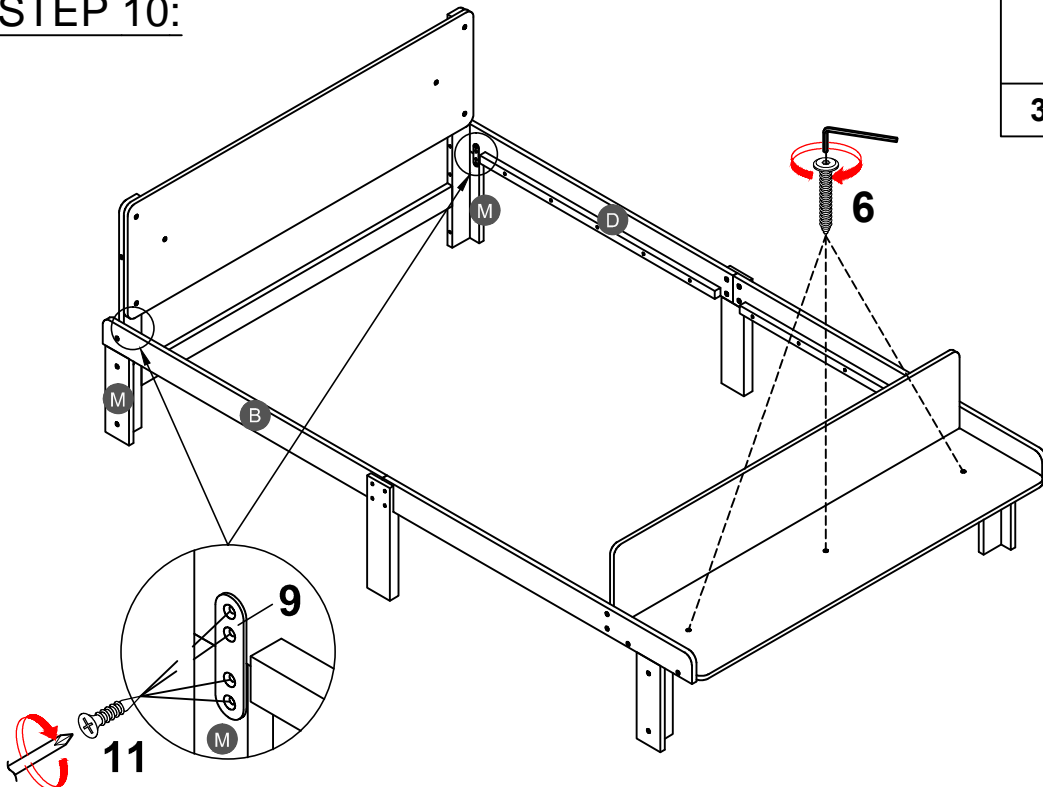



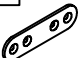
**STEP 9:**




<b>3</b>		<b>5</b>	
<b>7PCS</b>		<b>7PCS</b>	

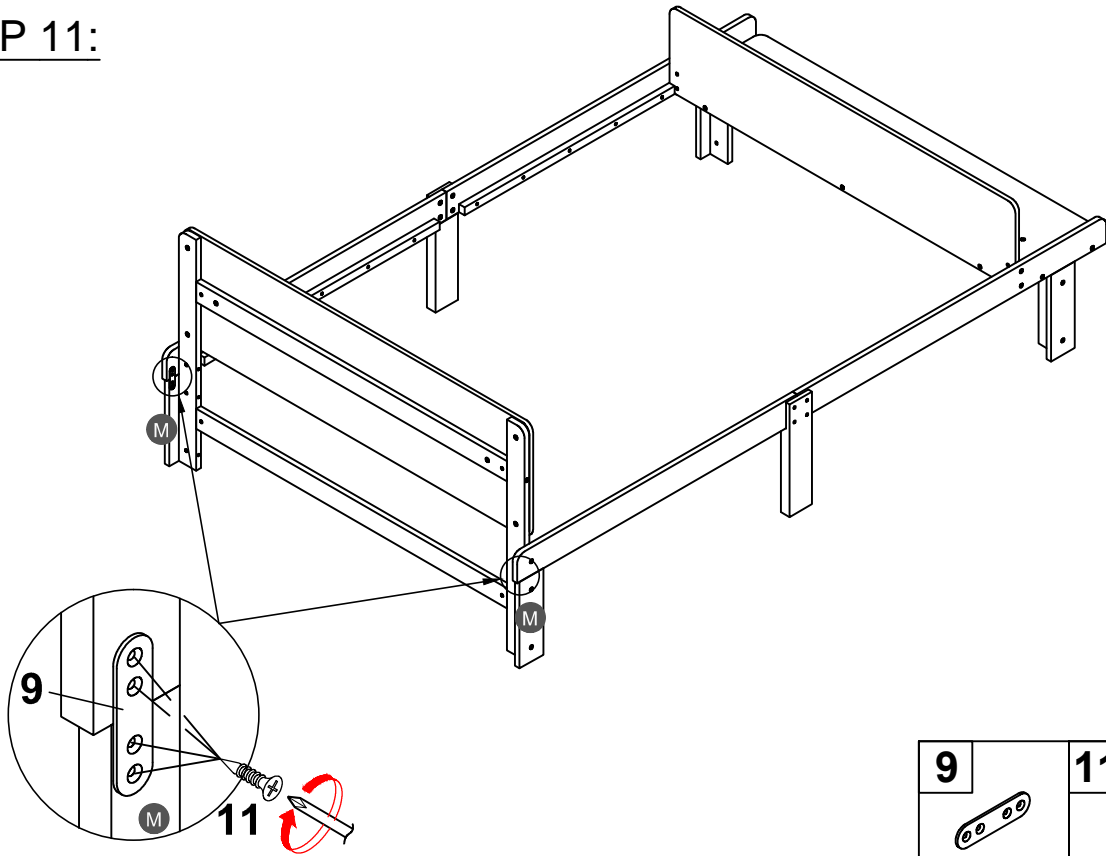
**STEP 10:**

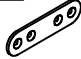

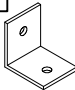



<b>6</b>		<b>9</b>	
<b>3PCS</b>		<b>2PCS</b>	

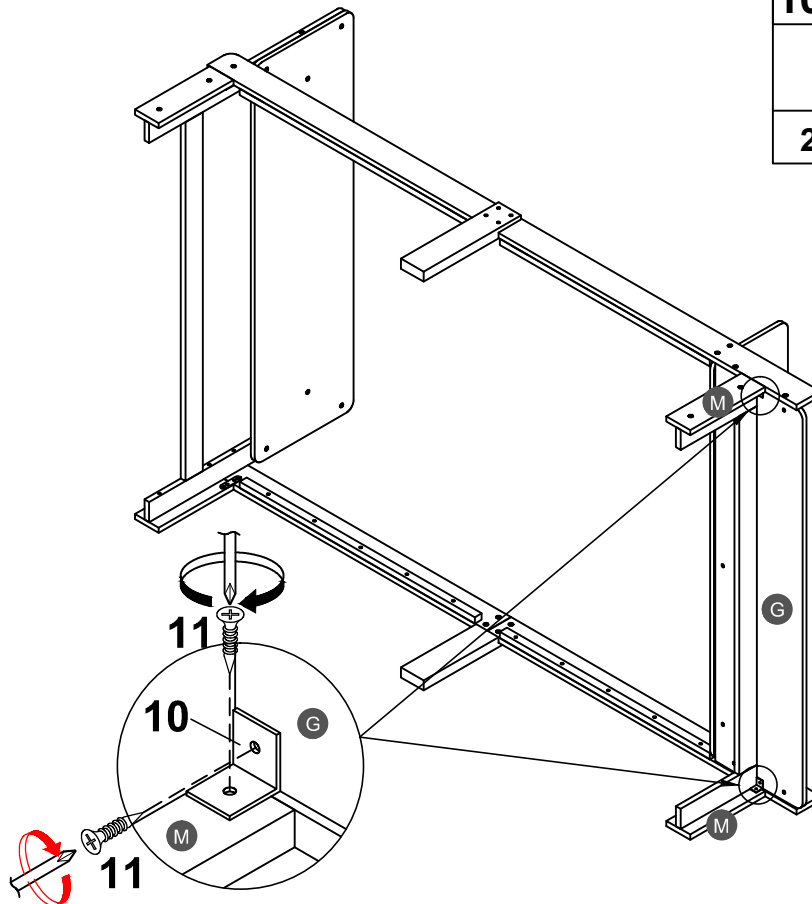
<b>11</b>	
<b>8PCS</b>	

**STEP 11:**

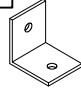



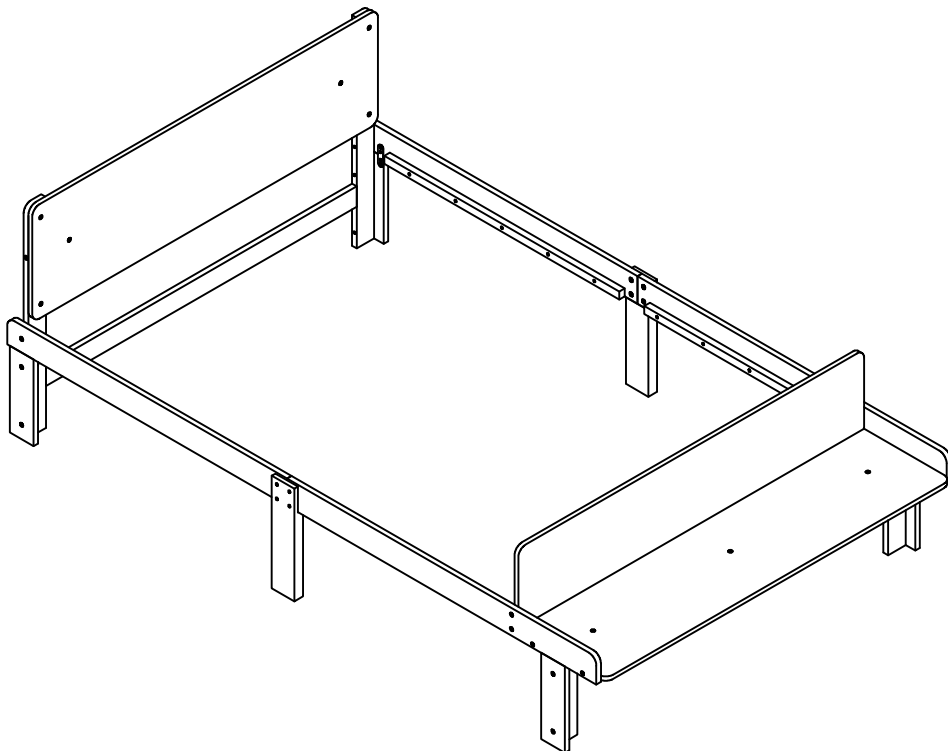
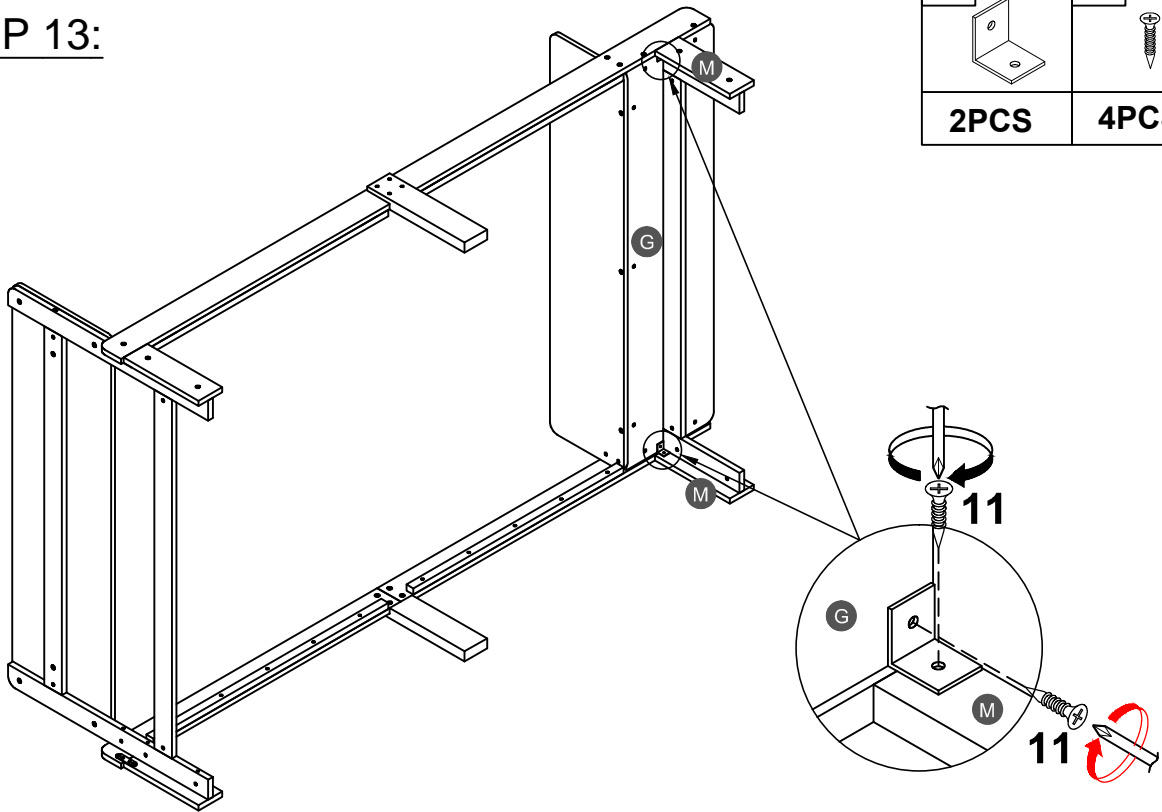
<b>9</b> 	<b>11</b> 
<b>2PCS</b>	<b>8PCS</b>
<b>10</b> 	<b>11</b> 
<b>2PCS</b>	<b>4PCS</b>

**STEP 12:**



**STEP 13:**

<b>10</b> 	<b>11</b> 
<b>2PCS</b>	<b>4PCS</b>

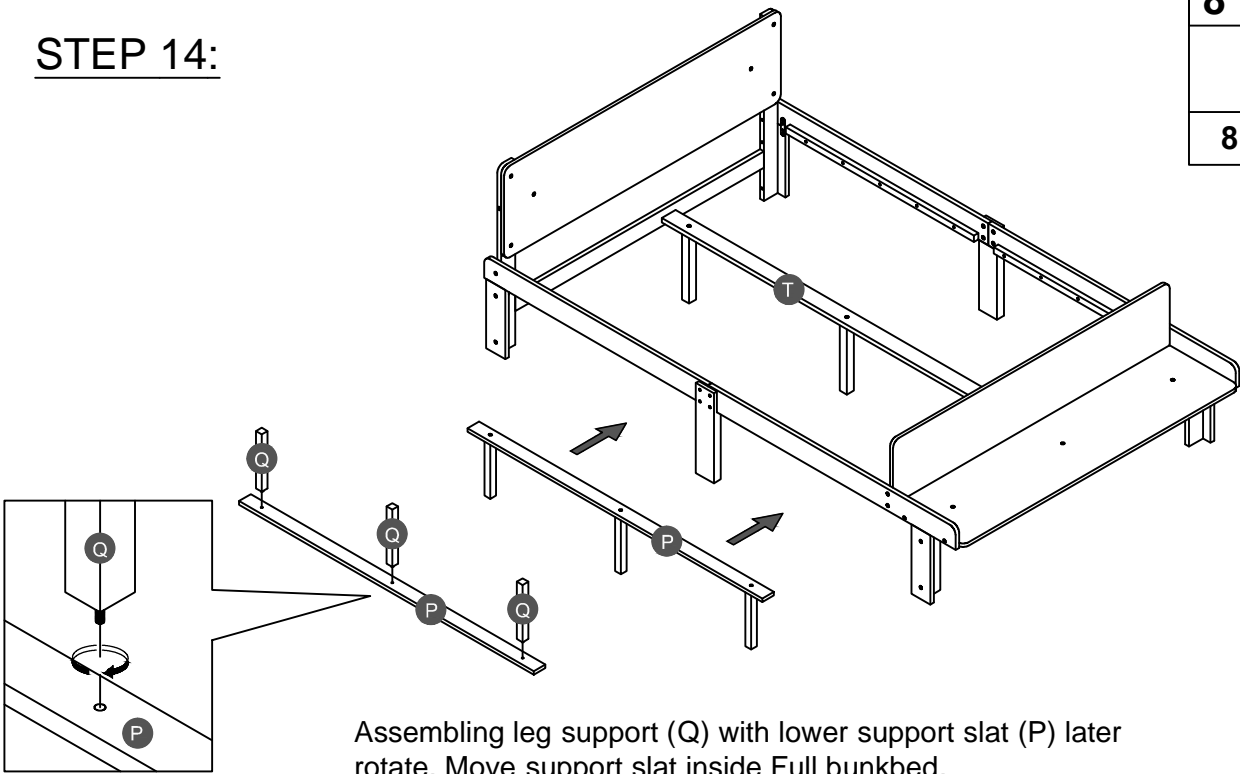


### STEP 14:

8



8PCS



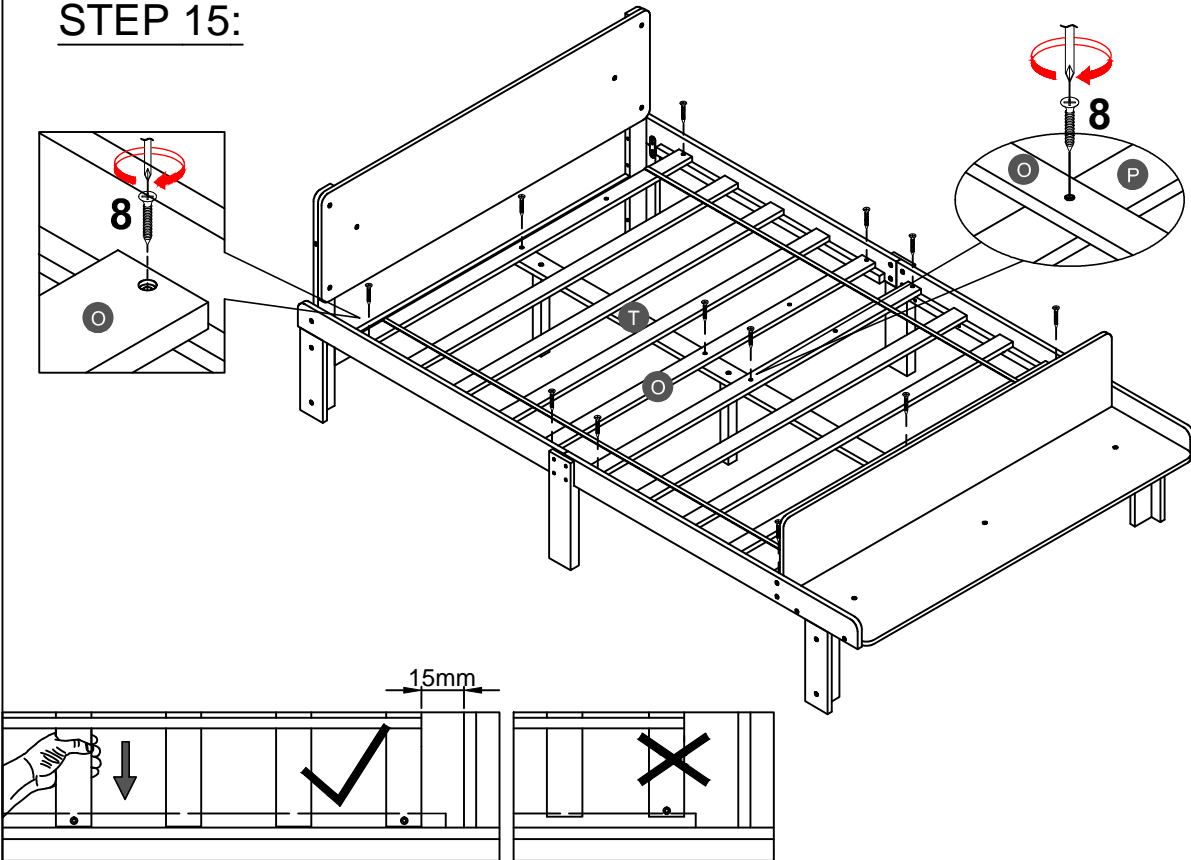
Assembling leg support (Q) with lower support slat (P) later rotate, Move support slat inside Full bunkbed.

### STEP 15:

8



12PCS



Note: Do not lock the screws of the bed slats to the outermost edge of the bed slats, you need to leave a certain space at the edges, otherwise it will cause the board to break. Do not lock the bed slats on the edge of the wood, please hold firmly before screwing, hold it in place with one hand, then lock the screw.