

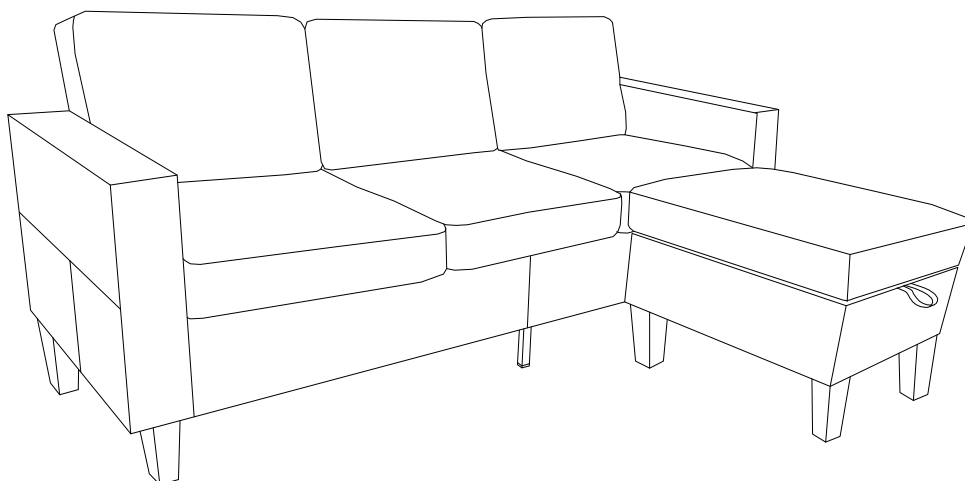
ASSEMBLY INSTRUCTION

DEAR CUSTOMER,

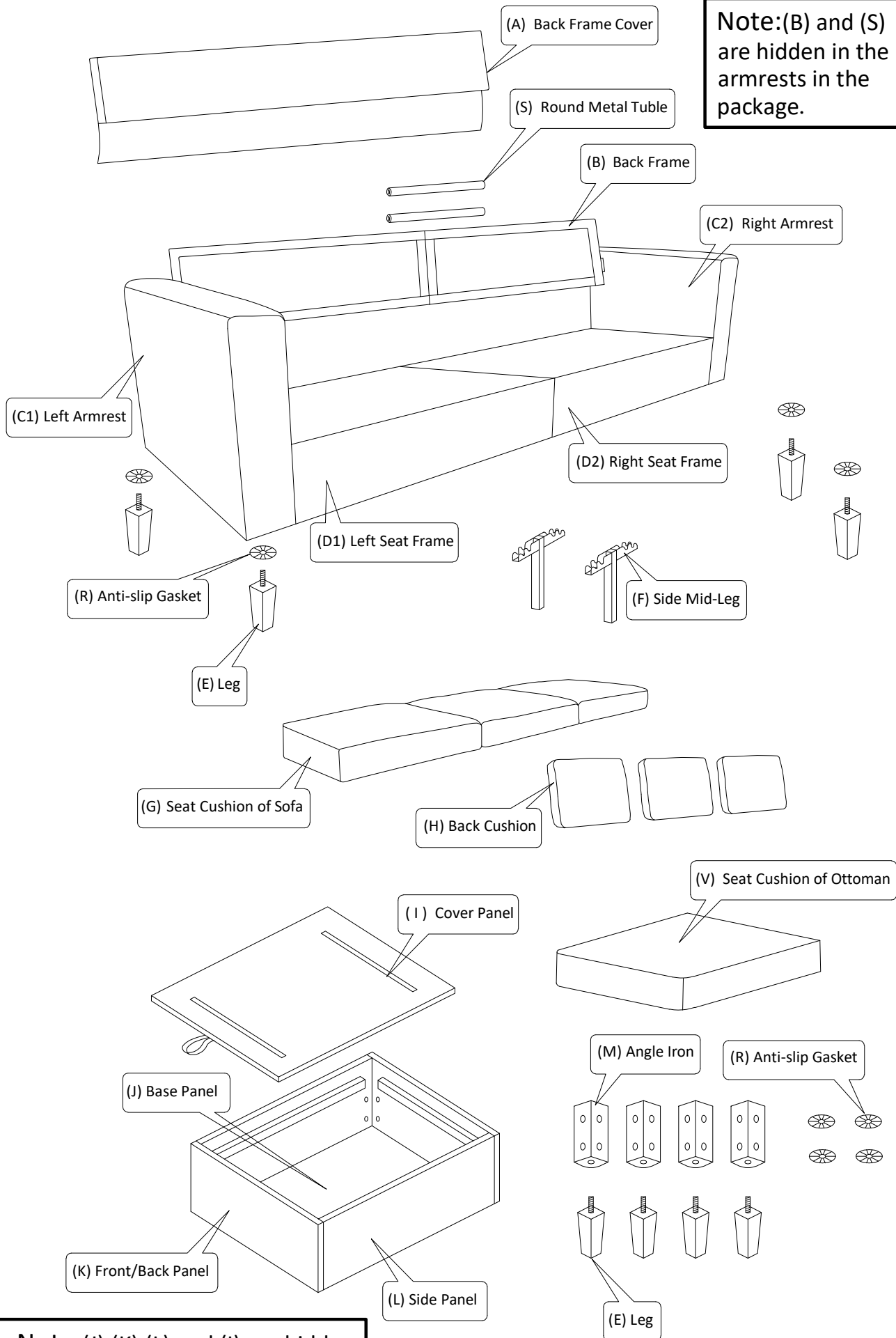
Thank you for purchasing our product. Please read this assembly instruction carefully before assemble and use, and keep it for future reference.

Cautions:

1. Please check whether the outer packaging is intact before opening to avoid damage during transportation.
2. Assemble this product on a flat and clean surface to avoid scratching. It is recommended for one or two people to assemble.
3. After unpacking, please confirm in time all the parts and hardware are included. Please do not discard any packaging, if for any reason you need to return this product, it must be returned in its original packaging.
4. If you have any questions about the products, please contact us
5. Please keep small parts out of reach of children or pets to prevent them from swallowing these parts.
6. Please read the installation steps in the Instruction carefully and follow the steps in the Instruction to assemble.

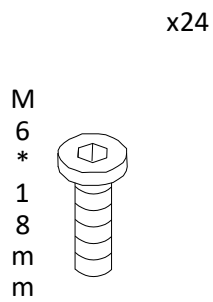


Note:(B) and (S) are hidden in the armrests in the package.

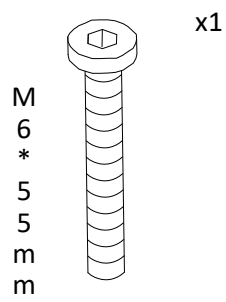


Note:(J),(K),(L) and (I) are hidden in the armrests in the package.

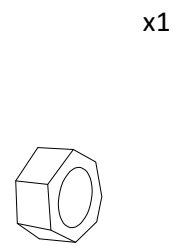
Hardware List



(N) Bolt



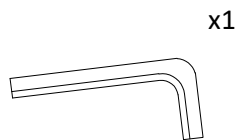
(O) Bolt



(P) Nut

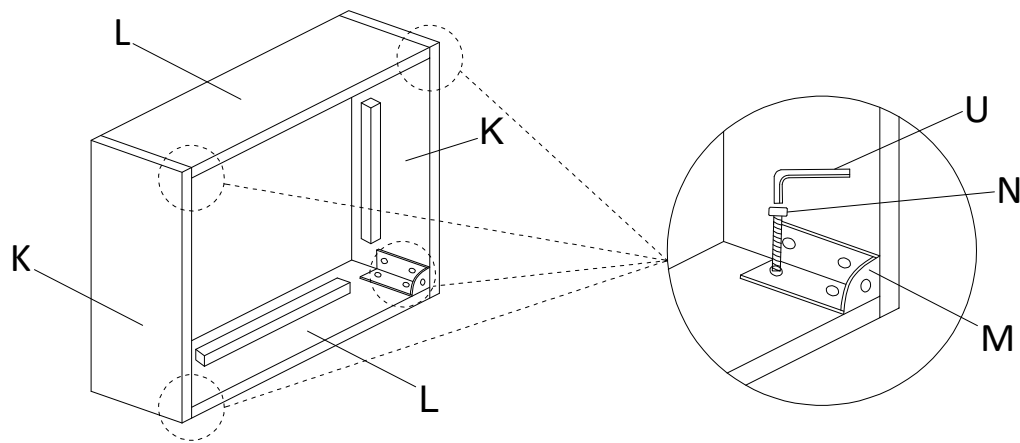


(Q) Flat Washer



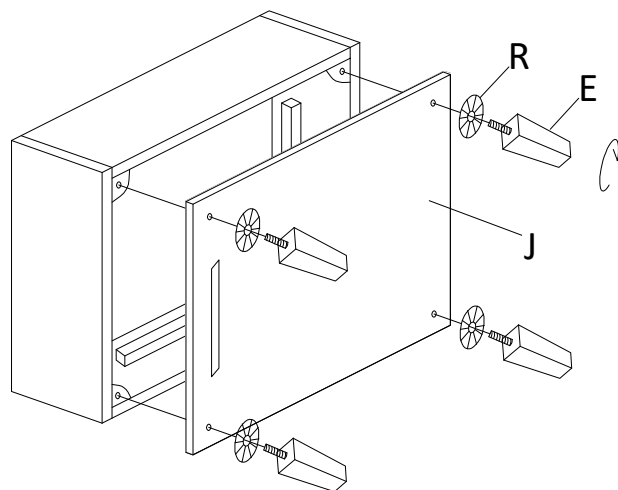
(U) Allen Wrench

Step1 As show in the picture ,screw the front/back panel (K),side panels (L) and the angle iron (M) using the bolt(N) and Allen wrench (U) .



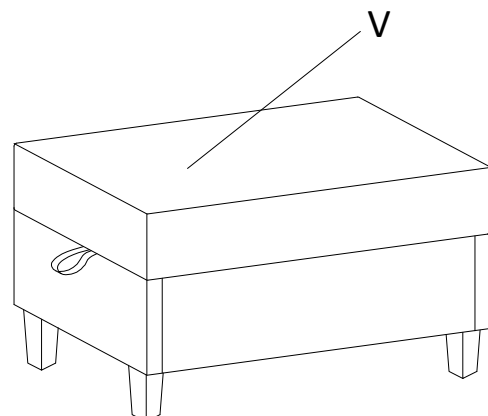
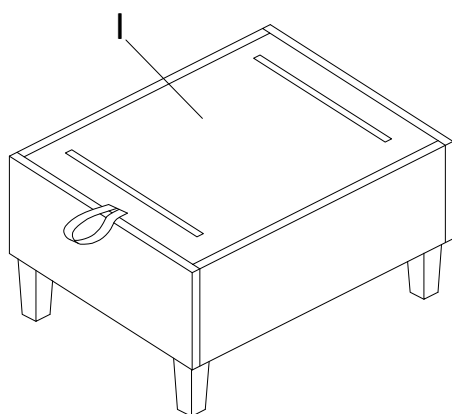
L*2
K*2
M*4
N*16

Step2 Tighten the leg (E) with the base panel (J) and anti-slip gaskets(R).



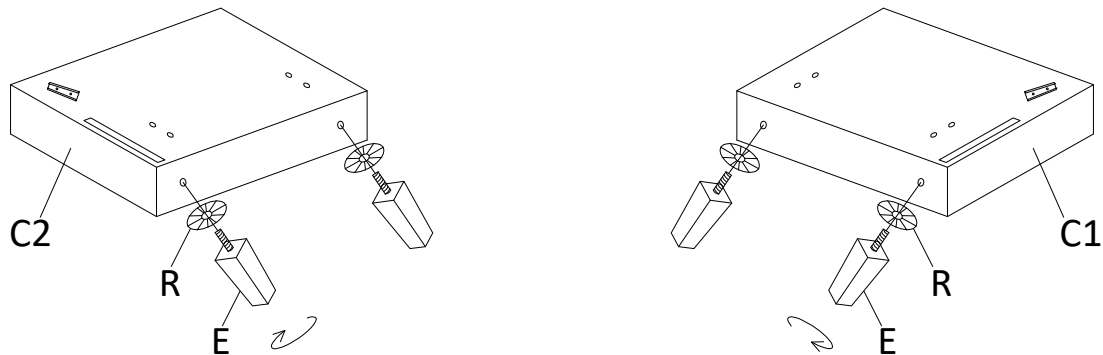
E*4
R*4
J*1

Step3 Put on the cover panel (I) and the seat cushion of ottoman (V).



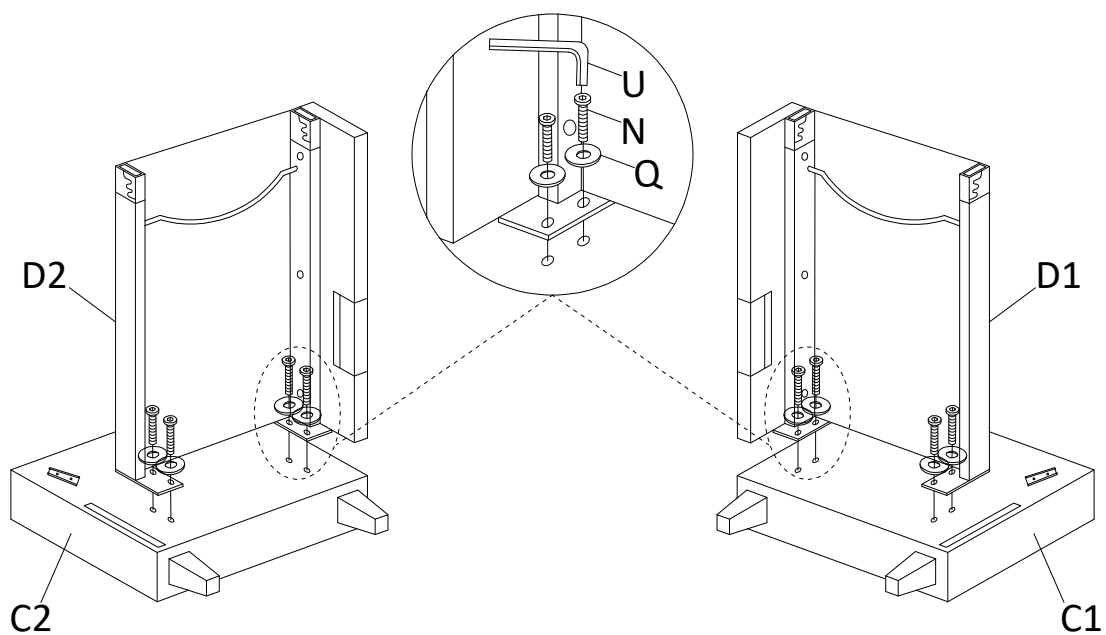
L*1
V*1

Step4 Put the anti-slip gaskets (R) into the legs (E) and tighten them .



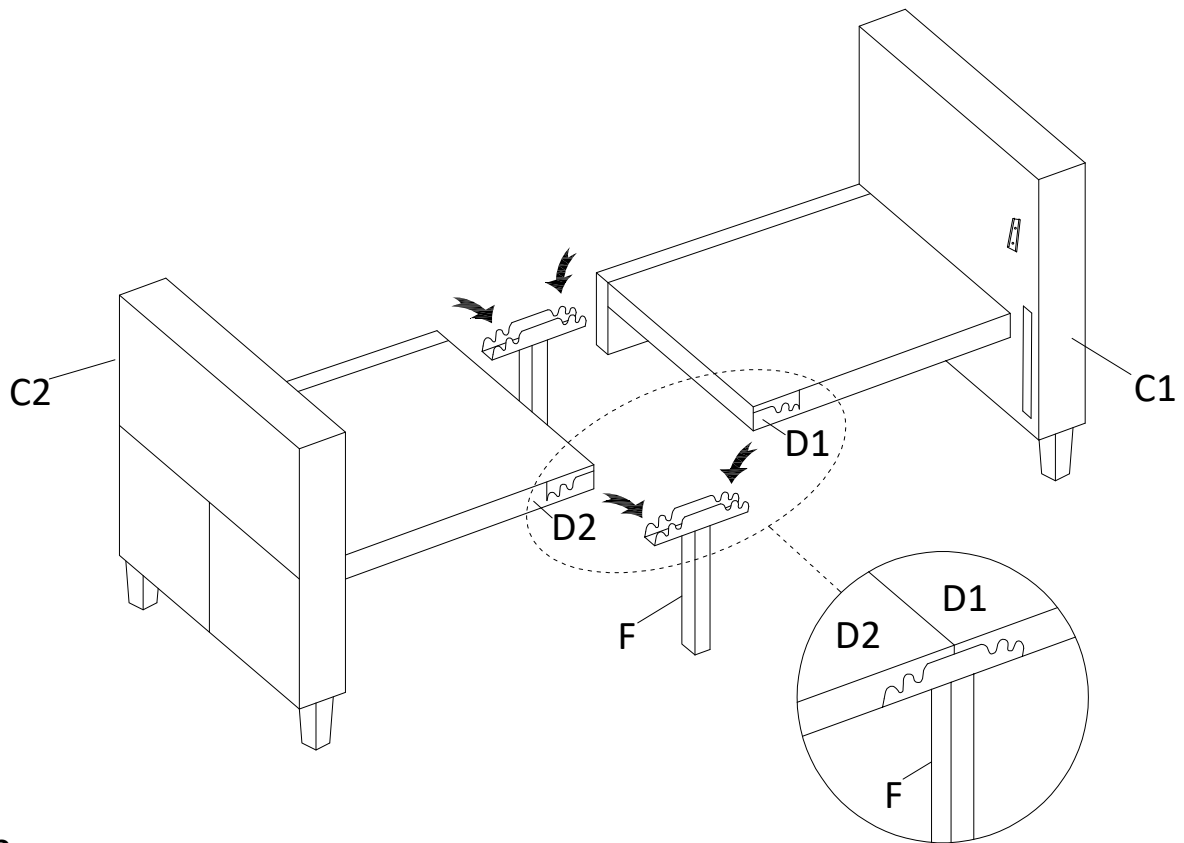
E*4
R*4

Step5 Screw the left seat frame (D1),the right seat frame (D2),the left armrest (C1) and the right armrest (C2) using the bolts (N), flat washer(Q) and Allen wrench (U).



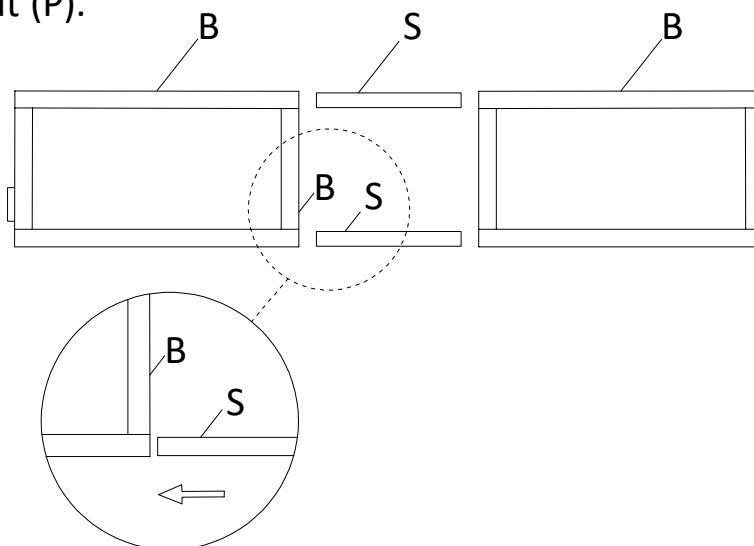
N*8
Q*8
C1*1
C2*1
D1*1
D2*1

Step6 Insert the side mid-legs (F) into the position as shown.

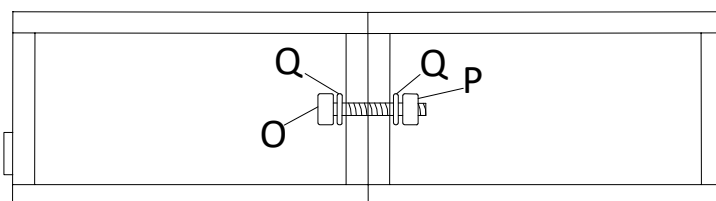


F*2

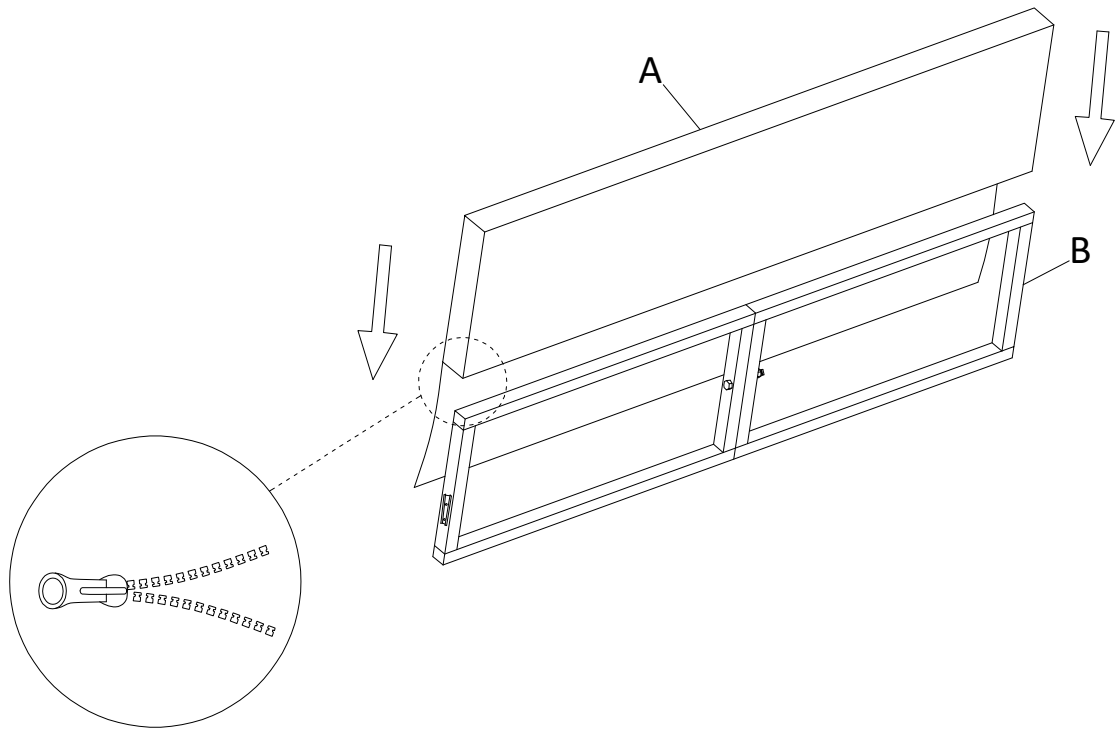
Step7 Insert round metal tube (S) into the back frame (B), connect two back frames (B) using the bolt (O), the flat washers (Q) and nut (P).



B*2
S*2
O*1
P*1
Q*2

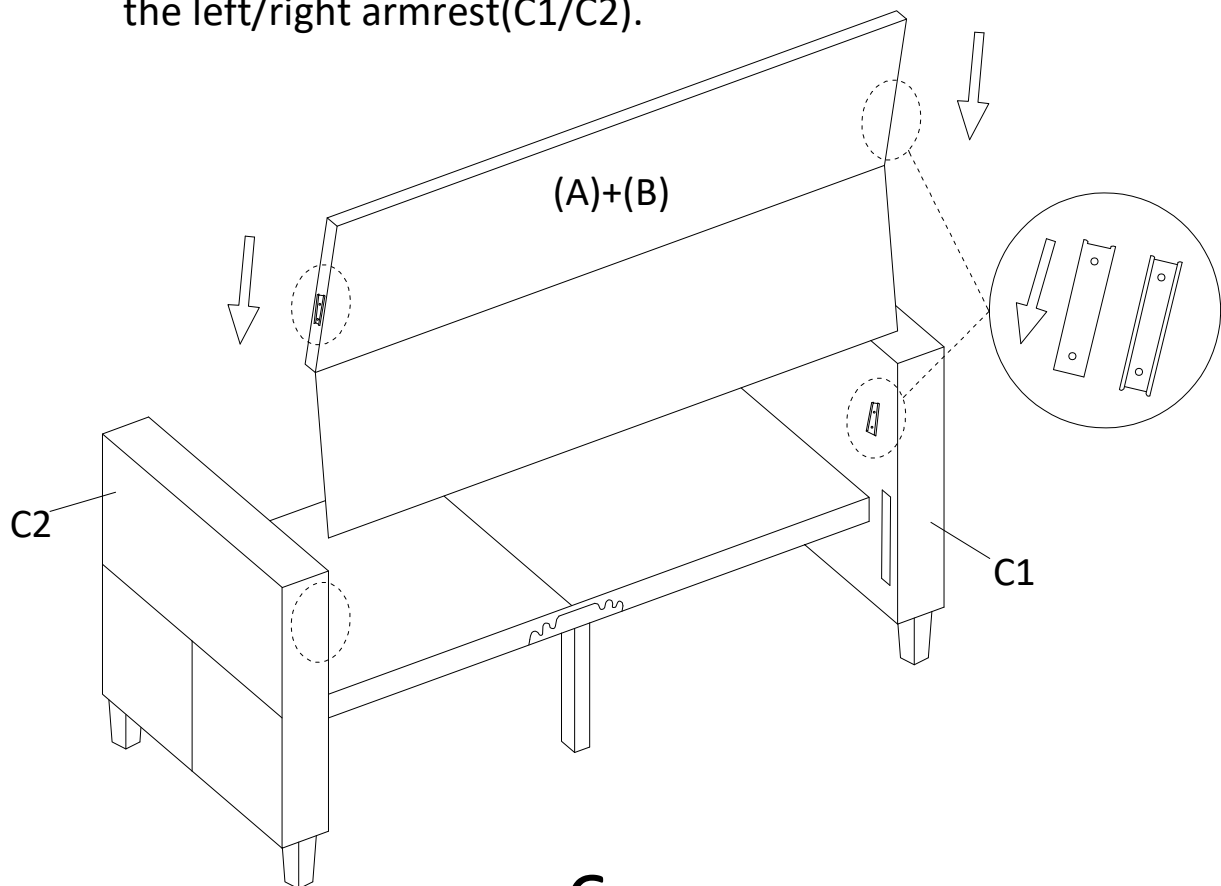


Step8 Put the back frame cover (A) on the back frame (B) and zip up.

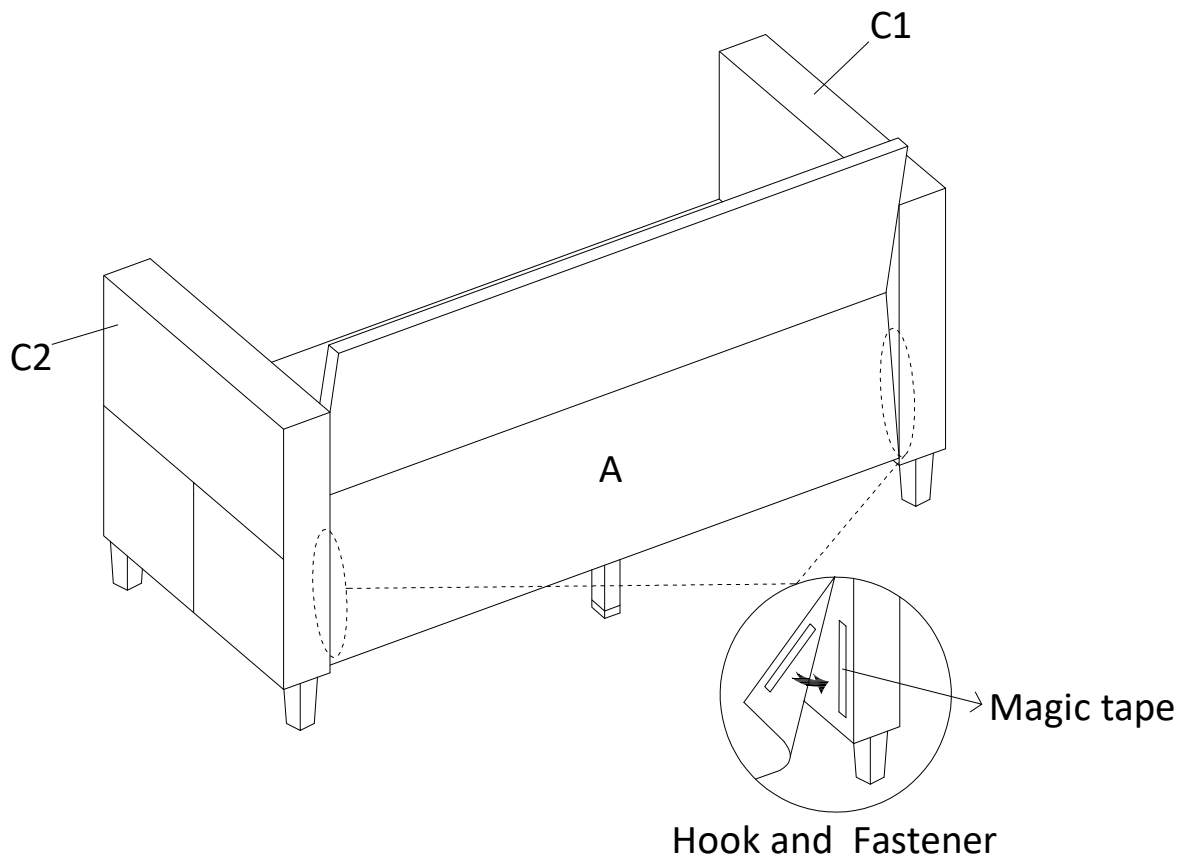


A*1
B*1

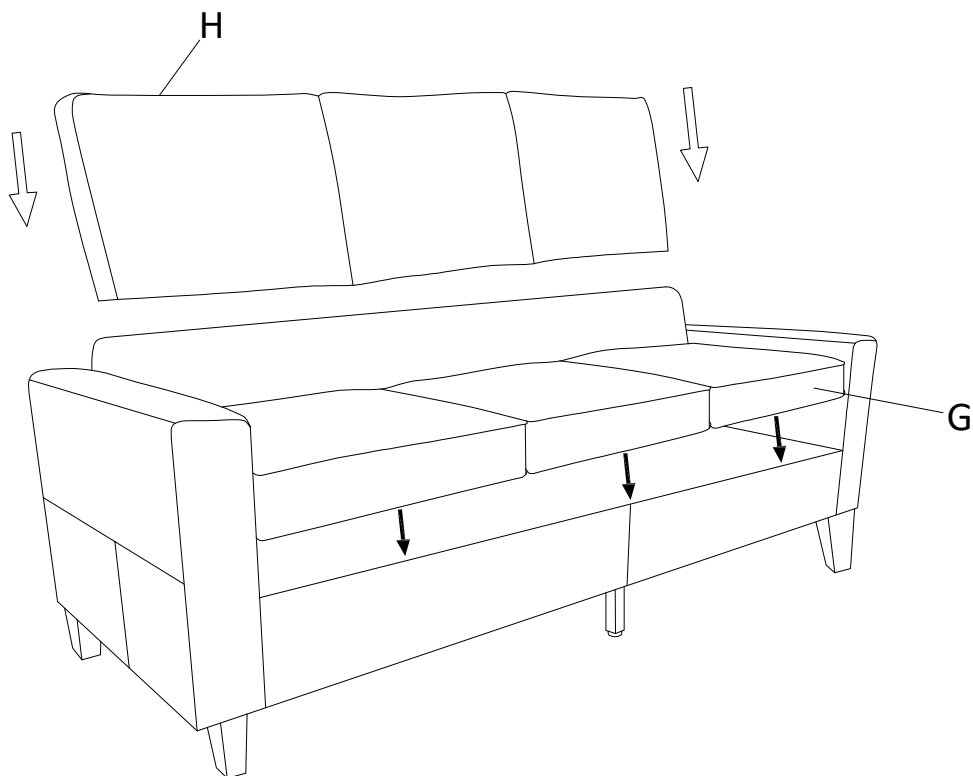
Step9 Insert the back frame cover(A) with the back frame(B) into the left/right armrest(C1/C2).



Step10 Attach the magic tape on the back frame cover (A) and the left /right armrest (C1/C2).

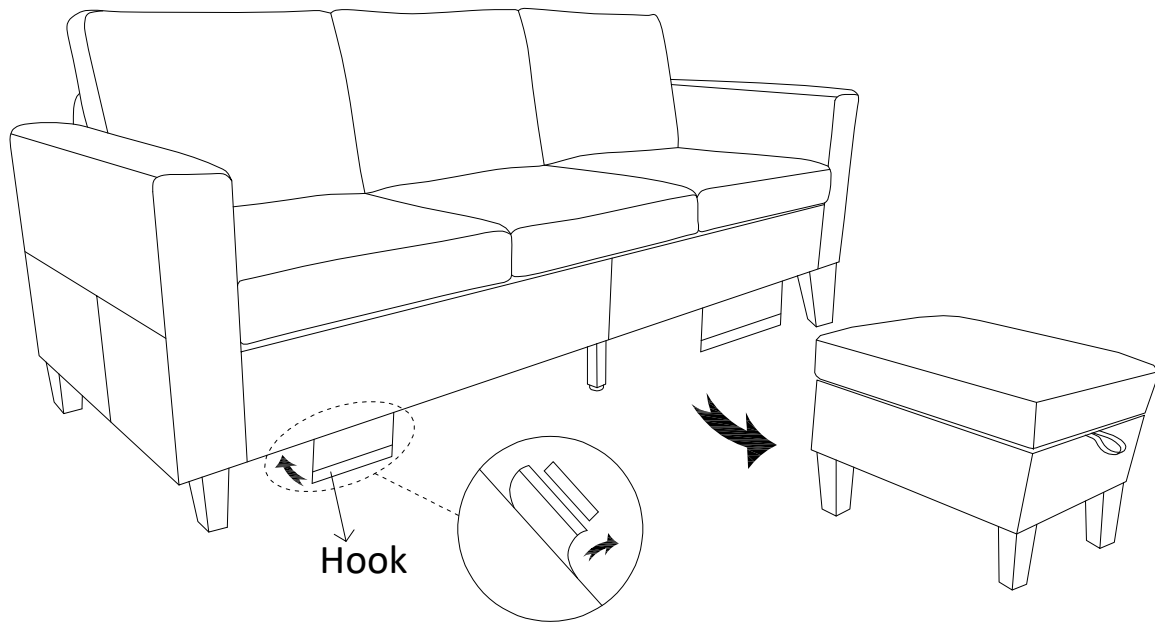


Step11 Put the back cushion(H)and the seat cushion (G) in place.



H*3
G*3

Step12 The ottoman can conveniently be placed in both sides of the sofa by the Hook. when using, connect the Hook to the ottoman, when not using, fold the Hook to hide.



Assembly completed!

Please enjoy your sofa!