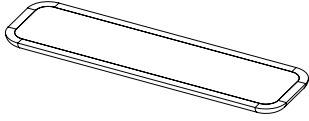
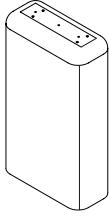
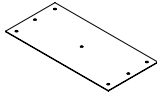


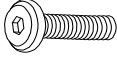
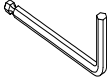
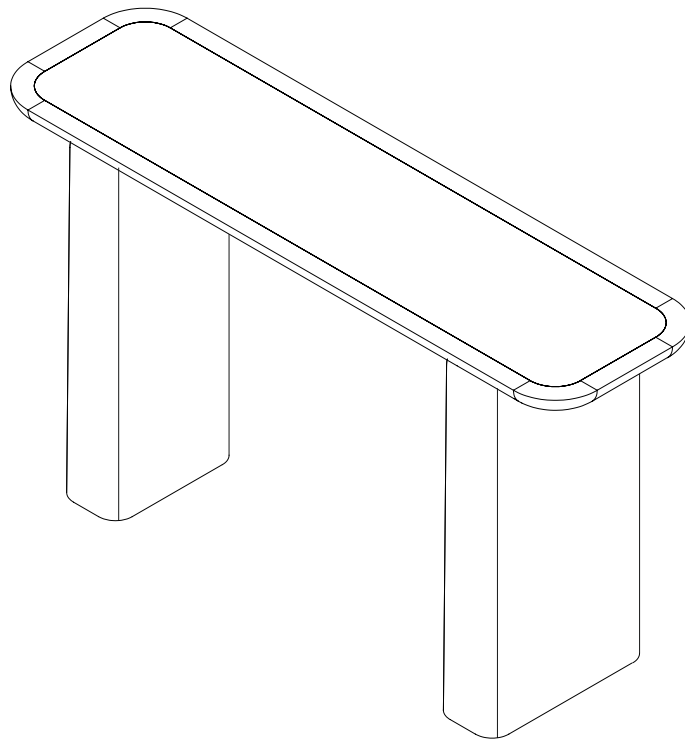


ASSEMBLY INSTRUCTIONS

SKU # 51011790

PARTS LIST

A	TOP x 1		<p>Before Beginning</p> <ol style="list-style-type: none"> 1 - Carefully unpack and position the item on a clean, non-marring surface to assemble. 2 - Read this Assembly Instructions from beginning to end before starting to assemble. 3 - Take an inventory of the required parts to ensure all are available. 4 - To prevent accidental choking hazards, keep all packing materials away from small children. 5 - Only tighten hardware until ALL hardware are fully engaged on their locations. Overtighten bolts will damage the bolt threads. 6 - Use only factory provided hardware to assemble. Unapproved hardware can damage product or jeopardize the structural integrity of the product. 7 - The use of power tool to assemble is not recommended due to high risk of over-torque, which can damage the product. 			
B	BASE x 2					
C	Metal Plate x 2					
Z	HARDWARE	<p>Z1</p>  <p>Ø15 x Ø10MM x 6</p>	<p>Z2</p>  <p>Ø25 x Ø10MM x 6</p>	<p>Z3</p>  <p>M8 x 25MM x 6</p>	<p>Z5</p>  <p>M5 x 120MM x 1</p>	



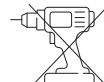
TWO PEOPLE



**10-MINUTE
ASSEMBLY TIME**

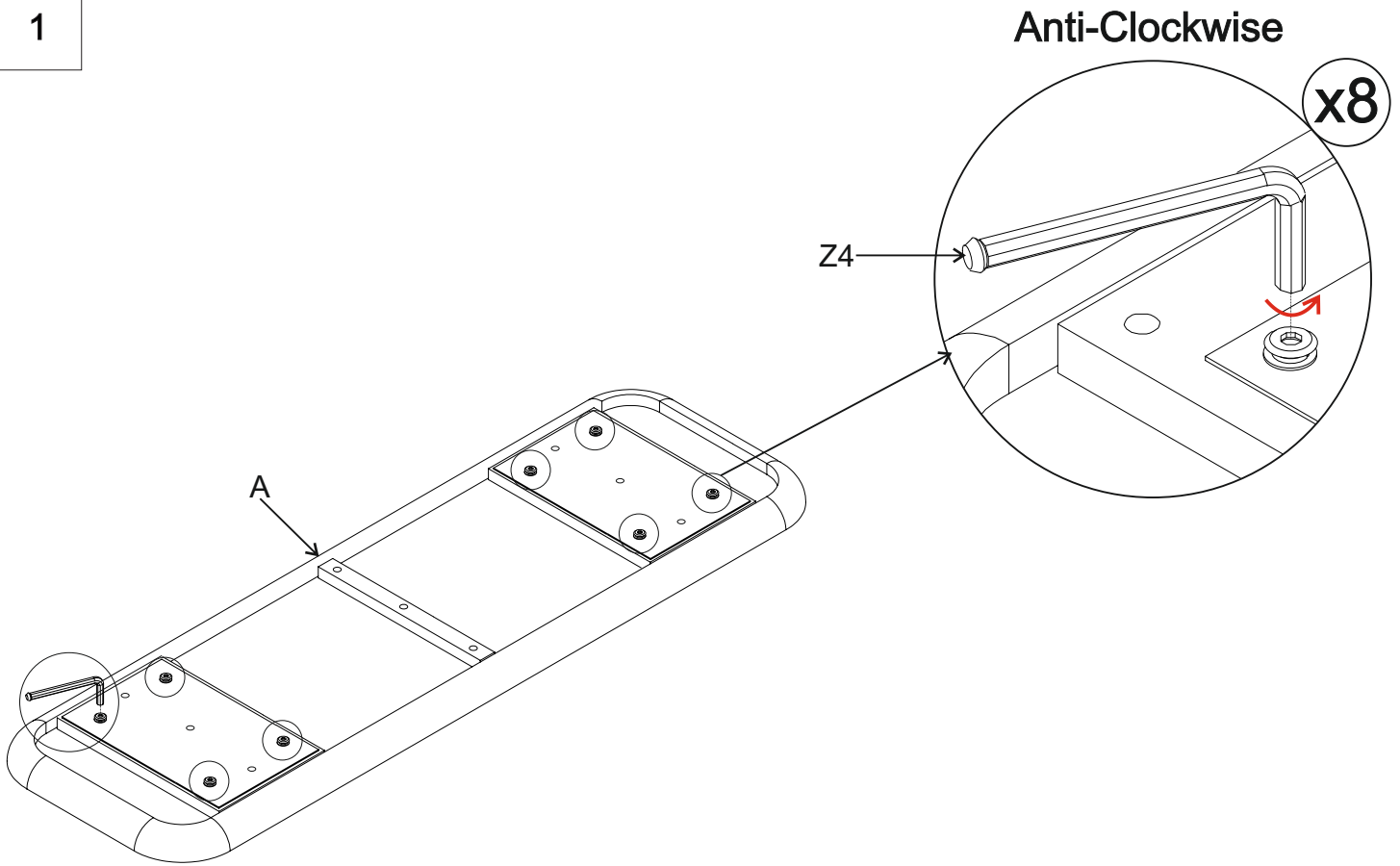


**KEEP INSTRUCTIONS
FOR FUTURE USE**

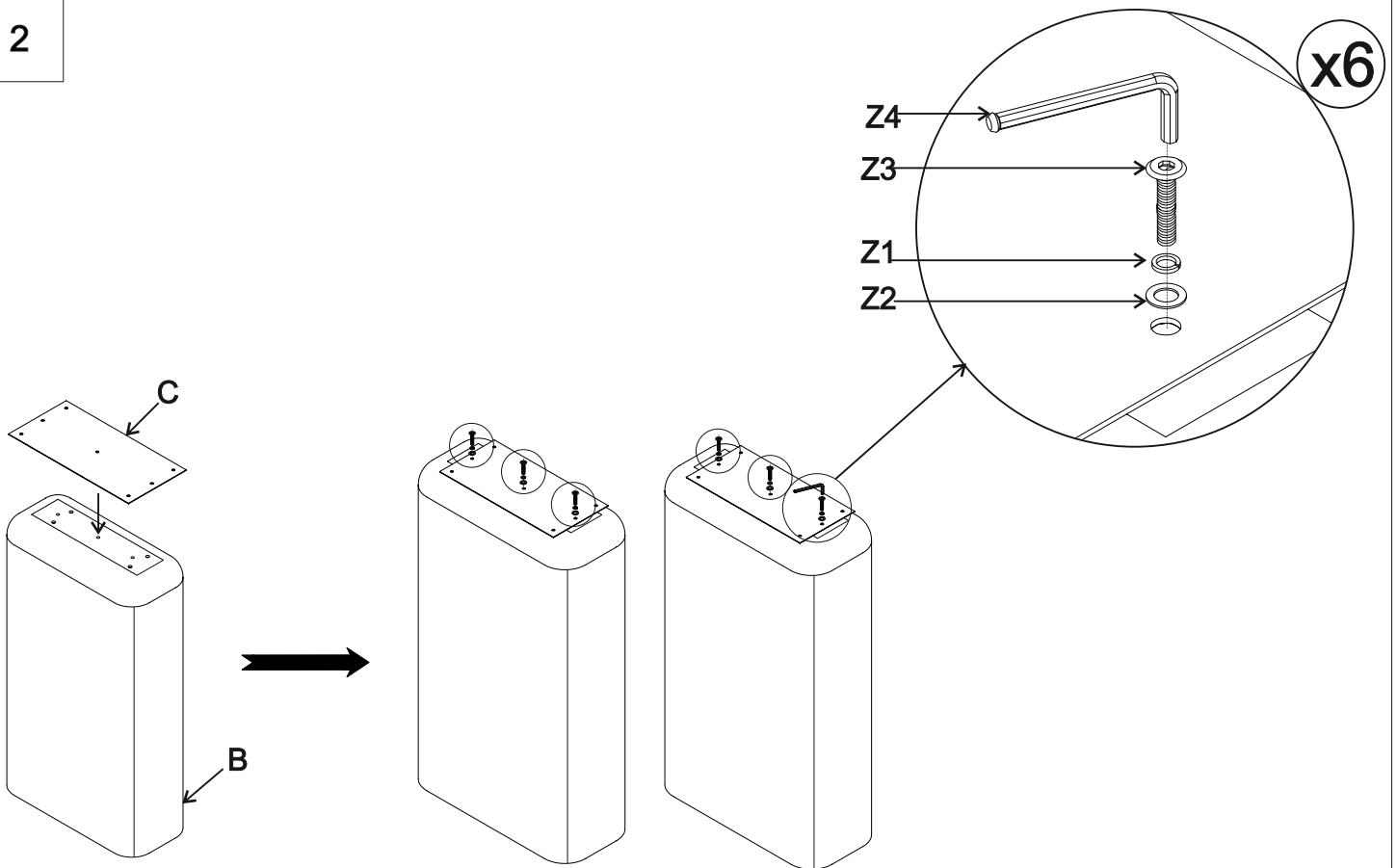


ASSEMBLY INSTRUCTIONS
SKU # 51011790

1

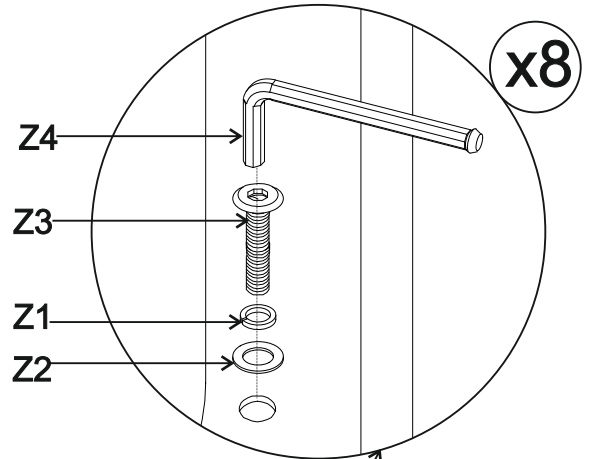
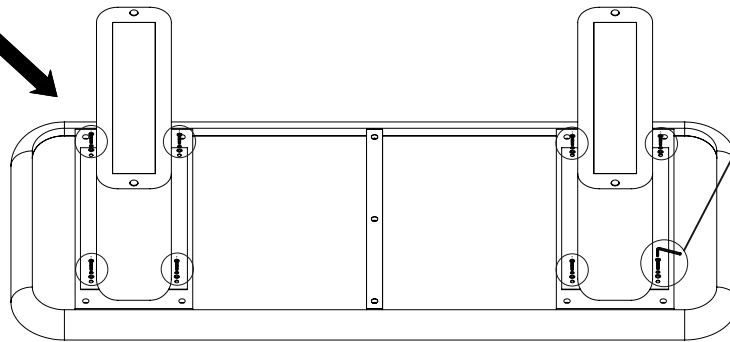
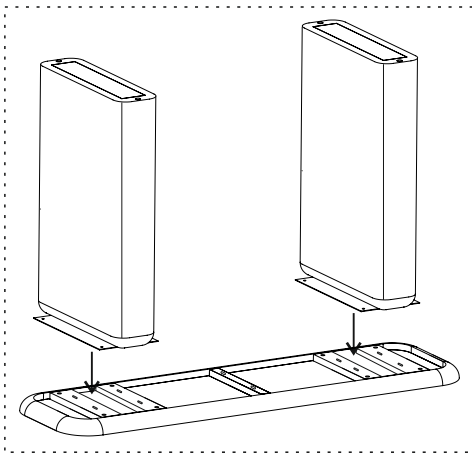


2



ASSEMBLY INSTRUCTIONS
SKU # 51011790

3



4

