
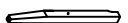
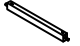



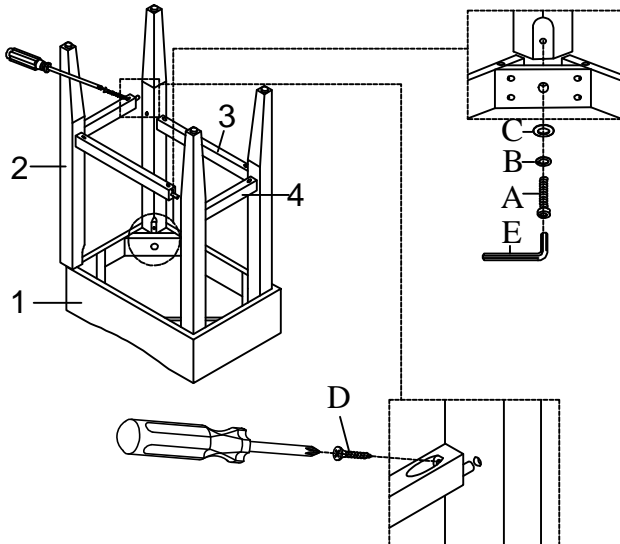


# ASSEMBLY INSTRUCTION

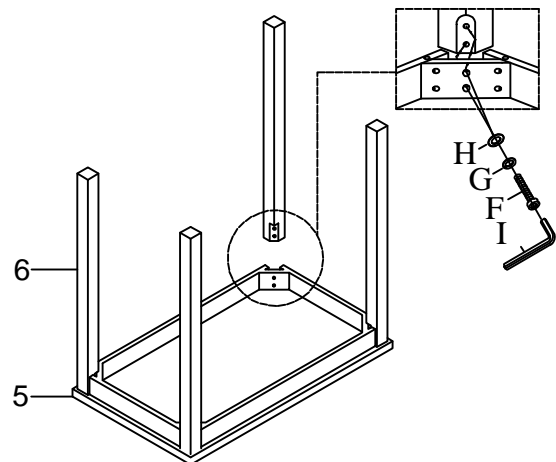
PARTS LIST			
NO.	PART	DESCRIPTION	QTY
1		STOOL SEAT	2pcs
2		STOOL LEG	8pcs
3		LONG STRETCHER	4pcs
4		SHORT STRETCHER	4pcs
5		TABLE TOP	1pc
6		TABLE LEG	4pcs

HARDWARE LIST			
NO.	PART	DESCRIPTION	QTY
A		ALLEN BOLT $\varnothing 1/4"$ x 50mm	8pcs
B		SPRING WASHER $\varnothing 1/4"$	8pcs
C		FLAT WASHER $\varnothing 1/4"$ x 22mm	8pcs
D		SCREW 50mm	16pcs
E		ALLEN KEY M4	2pcs
F		ALLEN BOLT $\varnothing 5/16"$ x 65mm	8pcs
G		SPRING WASHER $\varnothing 5/16"$	8pcs
H		FLAT WASHER $\varnothing 5/16"$ x 22mm	8pcs
I		ALLEN KEY M5	1pc

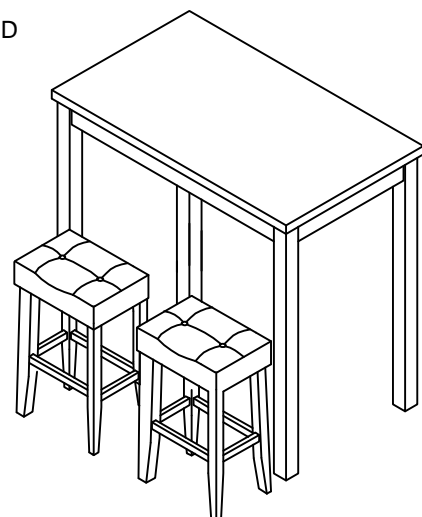
**STEP : 1** Insert Stretchers (3 & 4) between Stool Legs (2), noting correct orientation of screw holes. Secure Stool Legs (2) to Stool Seat (1) first. Then secure all end of Stretchers (3 & 4) to Stool Legs (2) last.



**STEP : 2**



**COMPLETED**



Do not tighten screws until completely assembled.