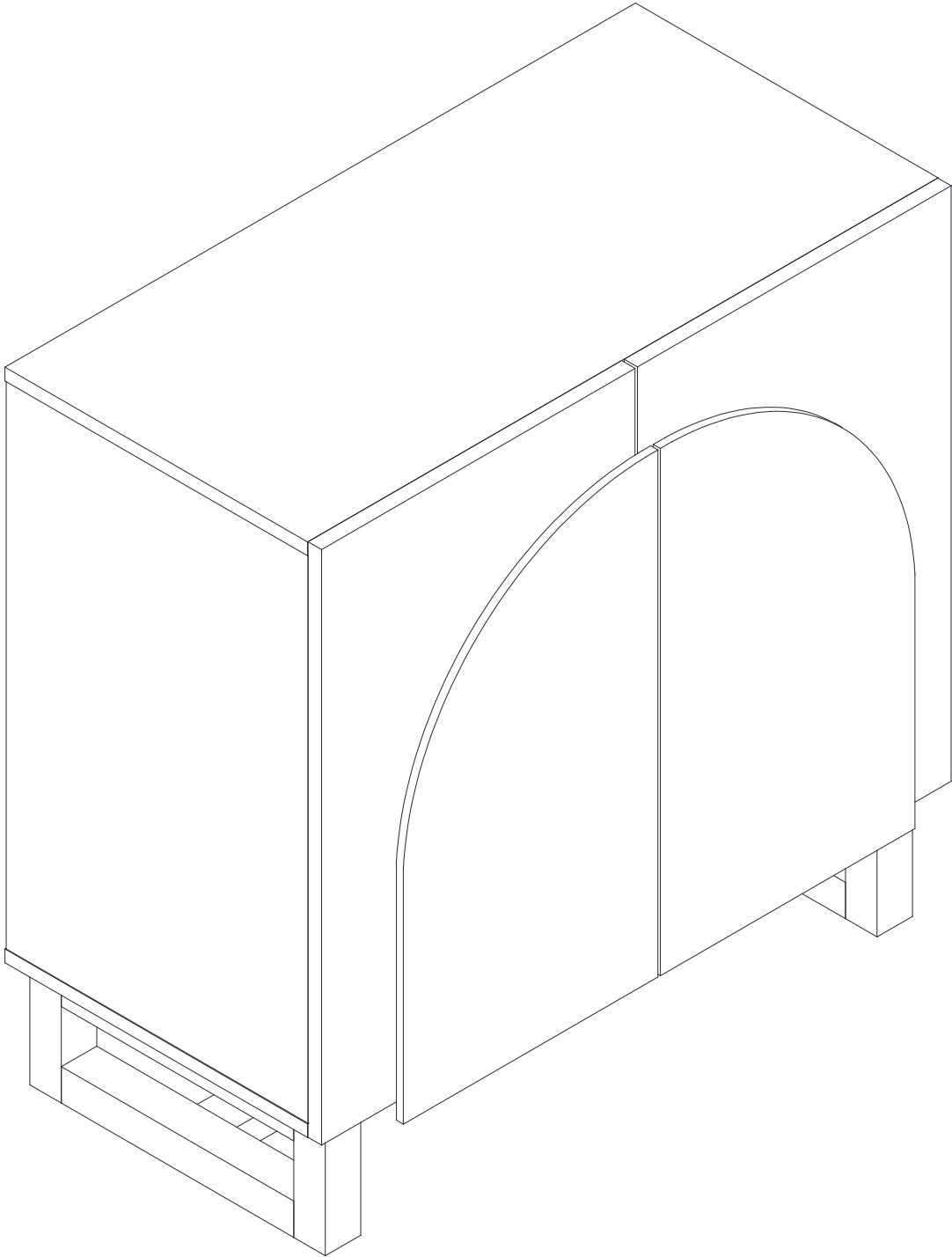


# Installation Instruction



Product Name

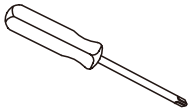
---

**2 Door Cabinet**

# Assembling

## What you need

- Use the packaging carton as a working surface to prevent product damage during assembly
- Phillips head screwdriver



## Weight Limitation



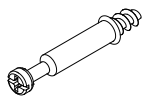
2 PERSONS

# What 's included

Code	Description	Qty
A	Cam Bolt M6X35MM	14
B	Cam Lock 15X10MM	14
C	Wooden Dowel M6X30MM	10
D	Screw M4X35MM	8
E	Screw M3X16MM	8
F	Plastic Washer	8
G	Plastic Corner Support	8
H	Metal Support	4
I	Screw M4X14MM	2
J	Screw M4X14MM	24
K	Foot Pads	4
L	Door Pads	4
M	Metal Plate	2
N	Anchor M6X30MM	2
O	Bolt M6X40MM	8
P	Bolt M6X50MM	4
Q	Allen Key	1
R	Hinge	4

# The Hardwares

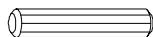
A



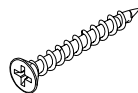
B



C



D



E



F



G



H



I



J



K



L



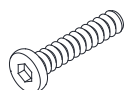
M



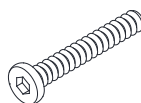
N



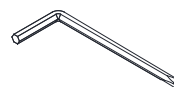
O



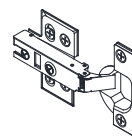
P



Q



R



## IMPORTANT:

1. Do not tighten bolts / screws completely until all bolts / screws are lined up and inserted into holes.
2. Do not over tighten screws and bolts to avoid stripping.
3. Please use hand tools to assemble this product. Do not use power tools.
4. Must need 2 people to assemble this product.

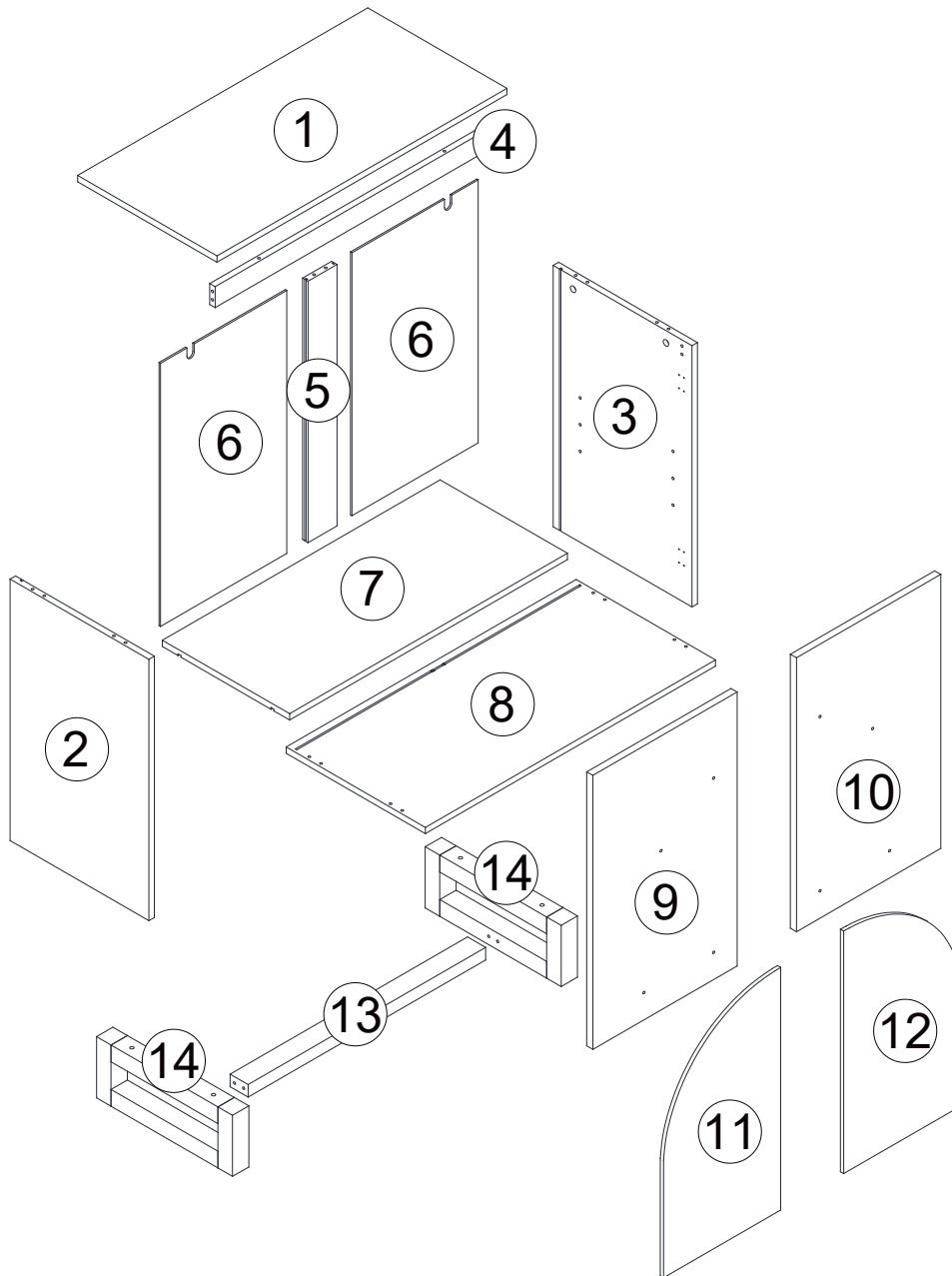


2 PERSONS

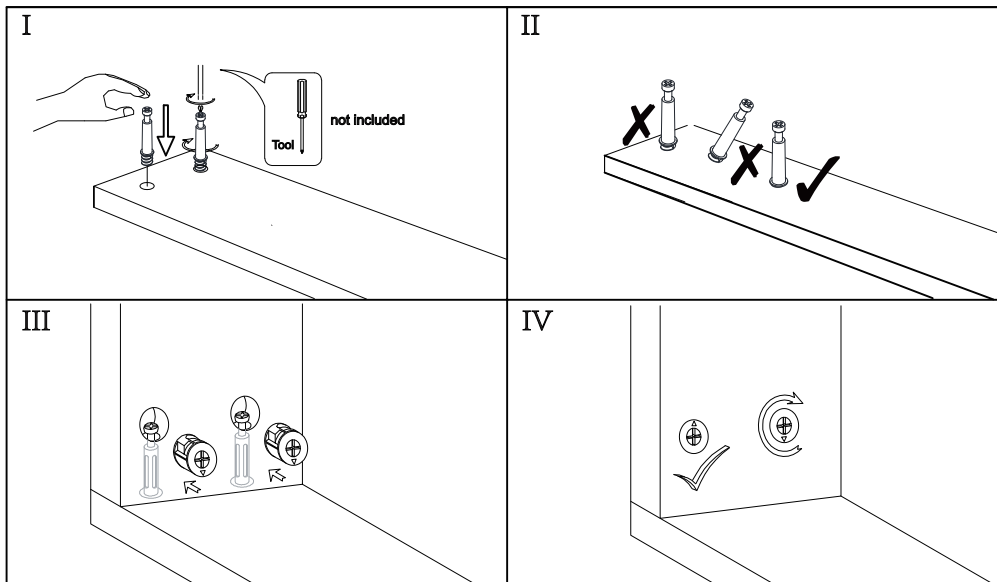
# Included Accessories

Code	Description	Qty
1	Cabinet Top	1
2	Left Side Panel	1
3	Right Side Panel	1
4	Top Front Support Panel	1
5	Vertical Back Stretcher	1
6	Back Panel	2
7	Shelf	1
8	Bottom Panel	1
9	Left Door	1
10	Right Door	1
11	Left Handle	1
12	Right Handle	1
13	Bottom Stretcher	1
14	Bottom Side Frame	2

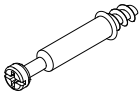
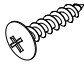

# The Accessories

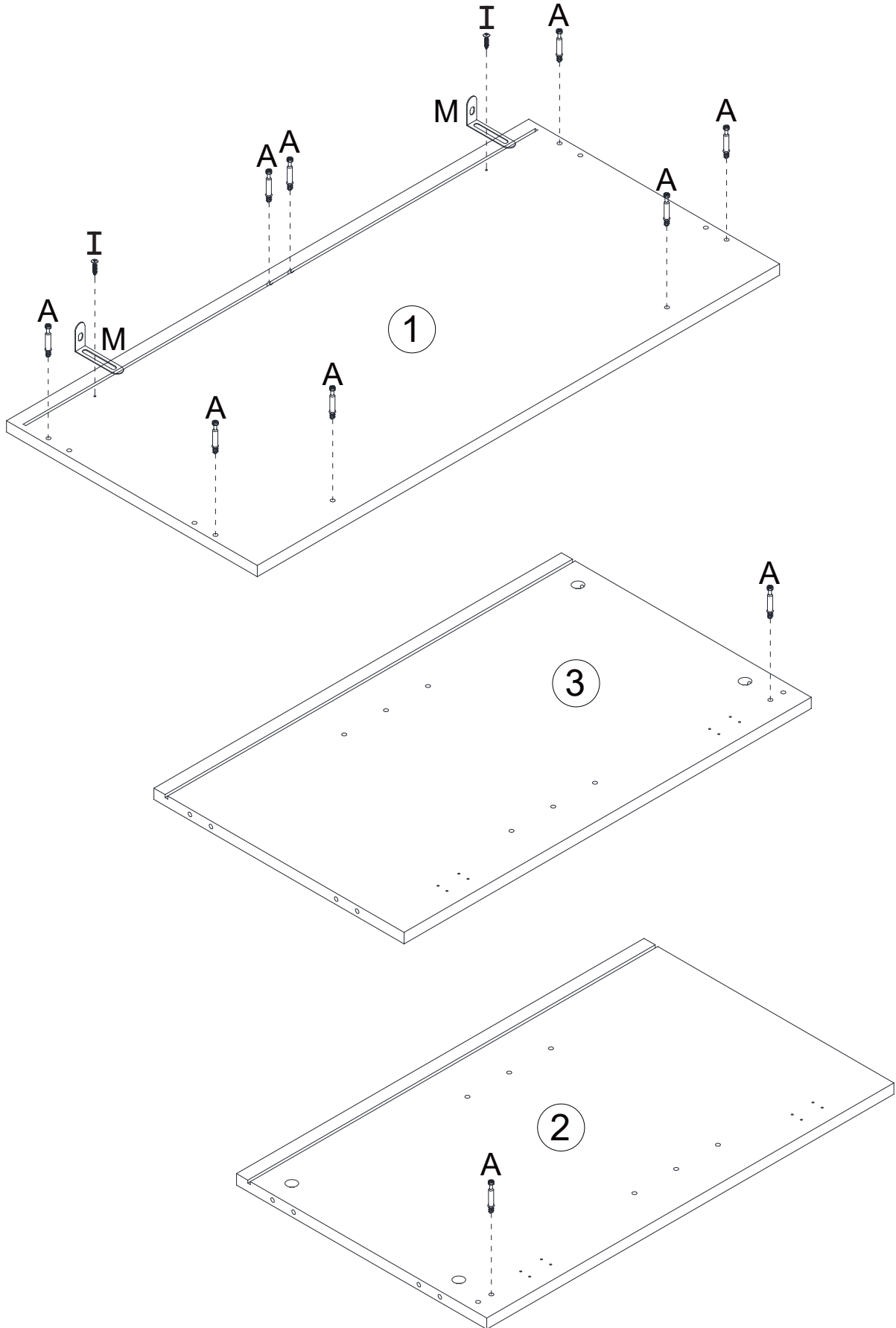


**NOTED:**





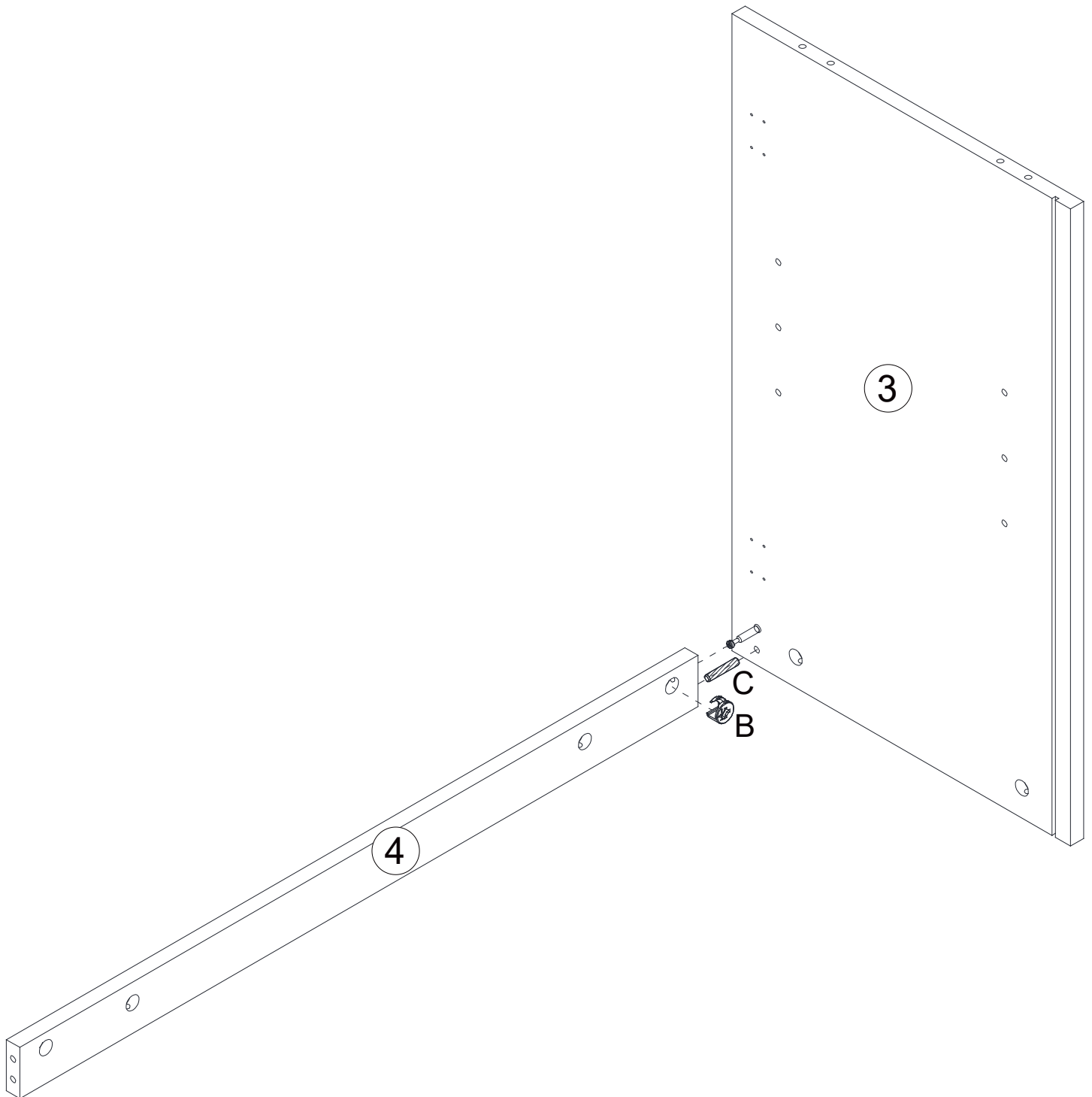
# Step 1

A	x10	I	x2	M	x2
					





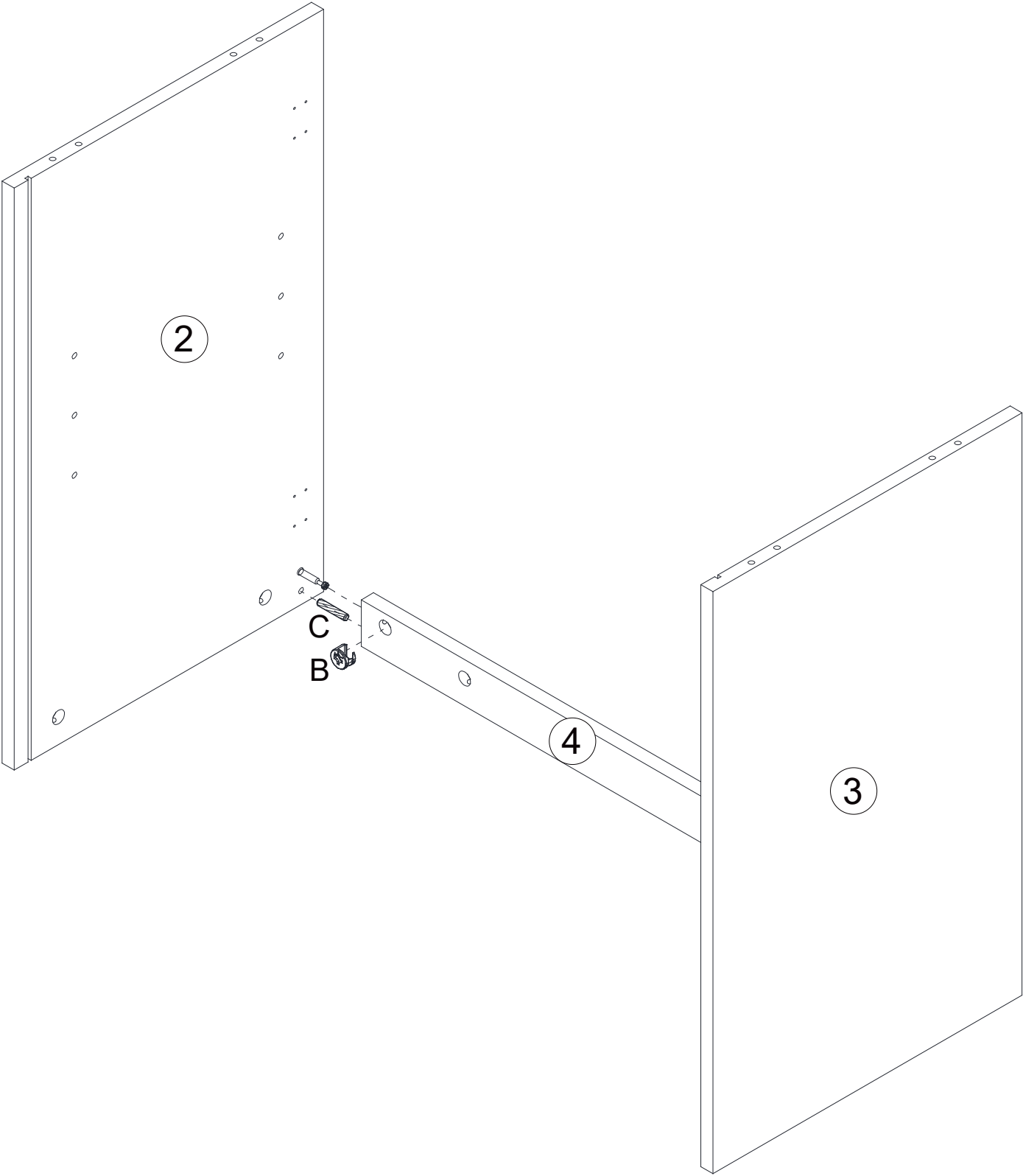
# Step 2

B	x1	C	x1
			


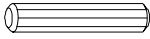


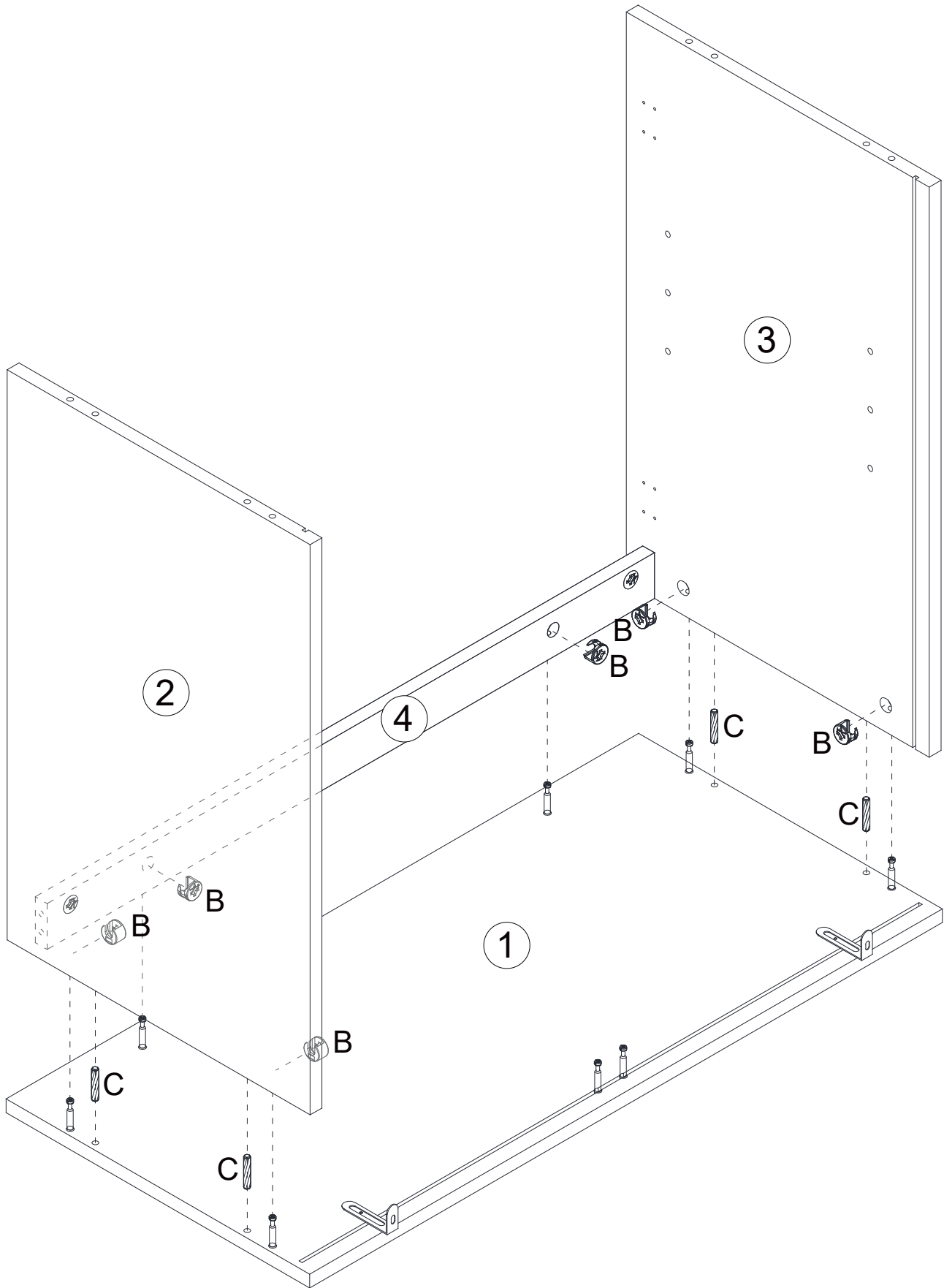
# Step 3

B	x1	C	x1
			

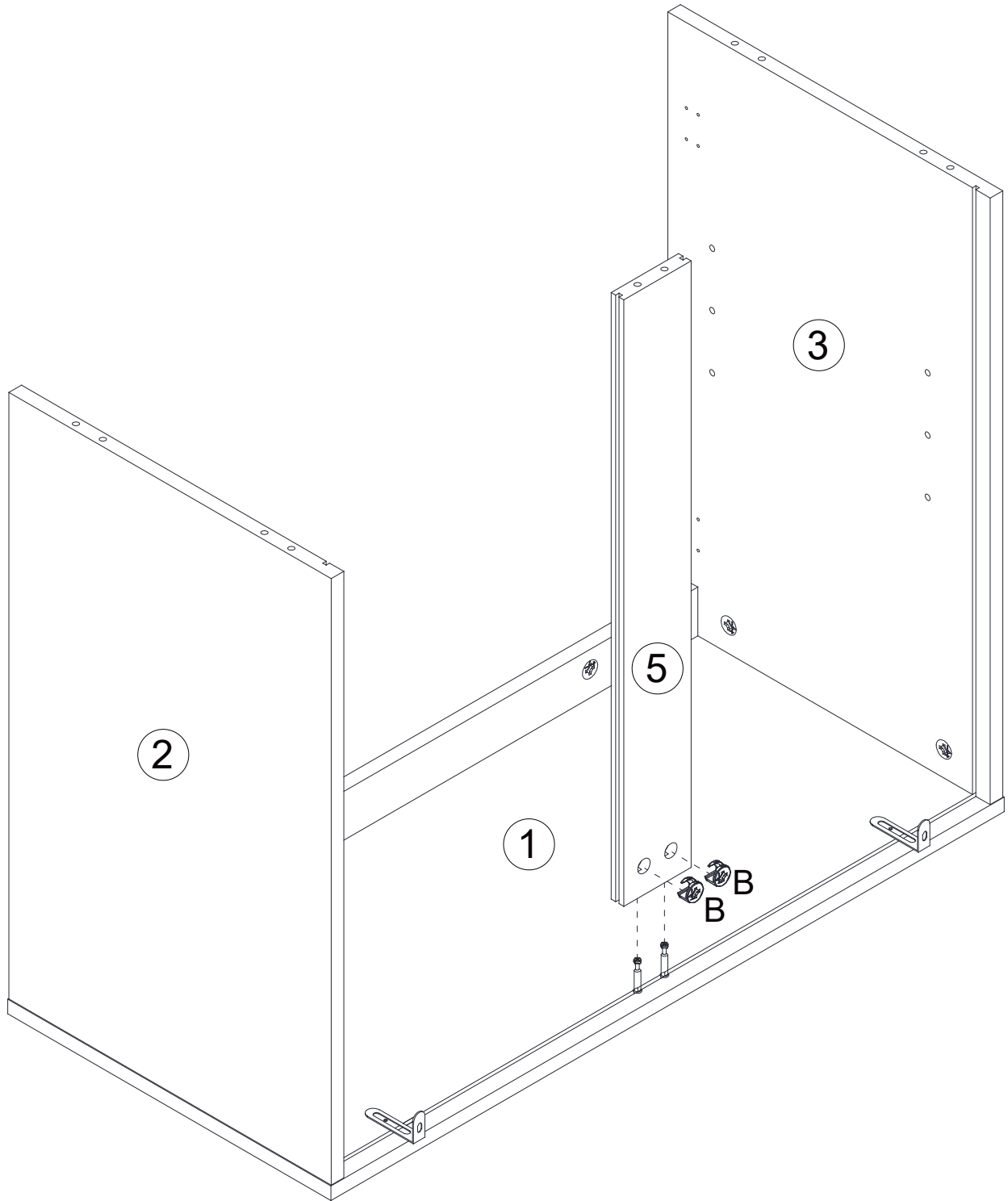
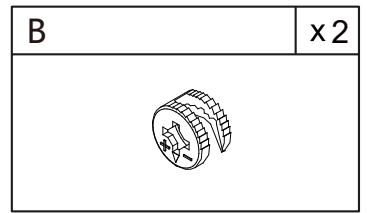


# Step 4

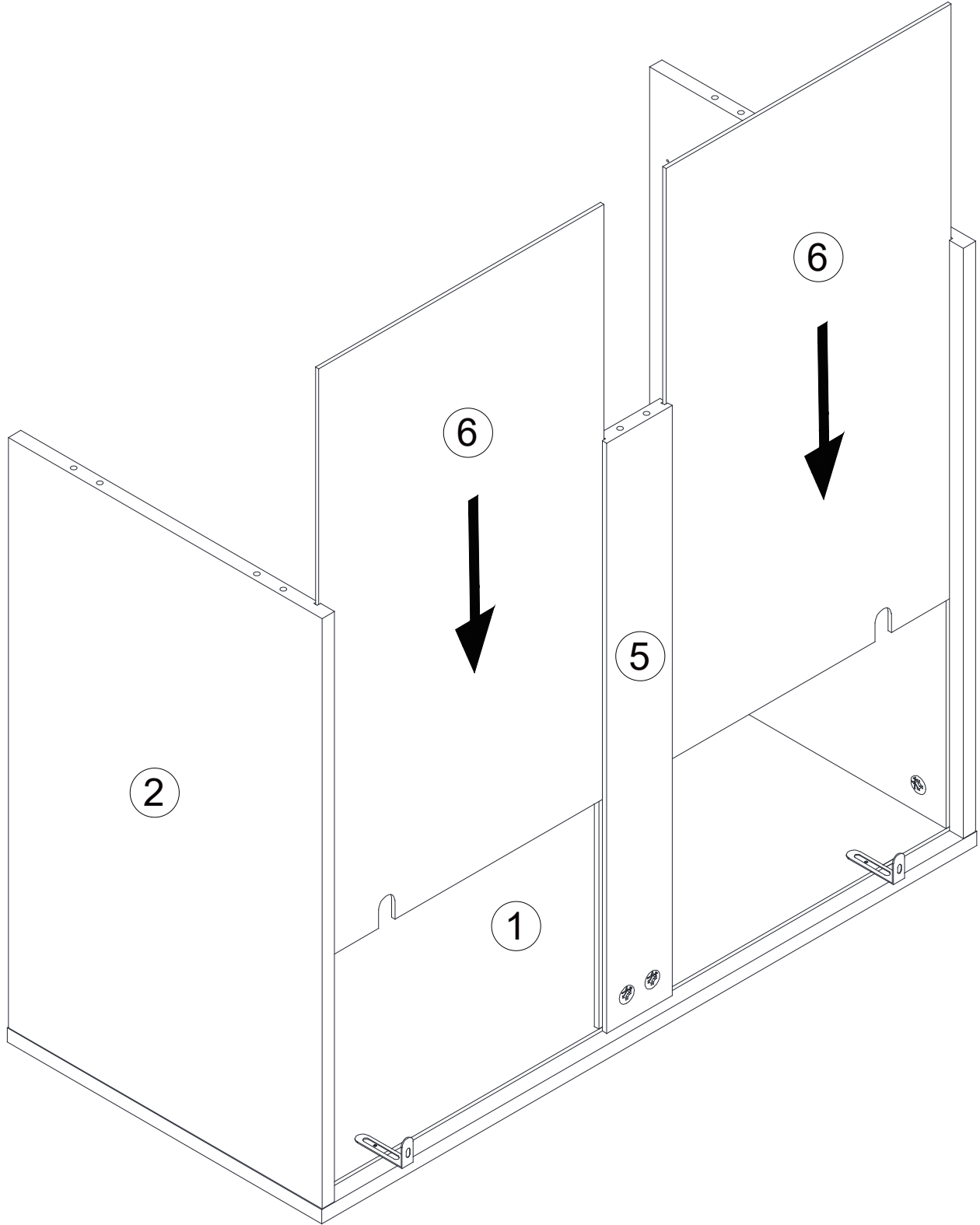
B	x6	C	x4
			



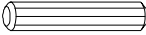
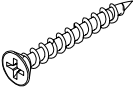
# Step 5

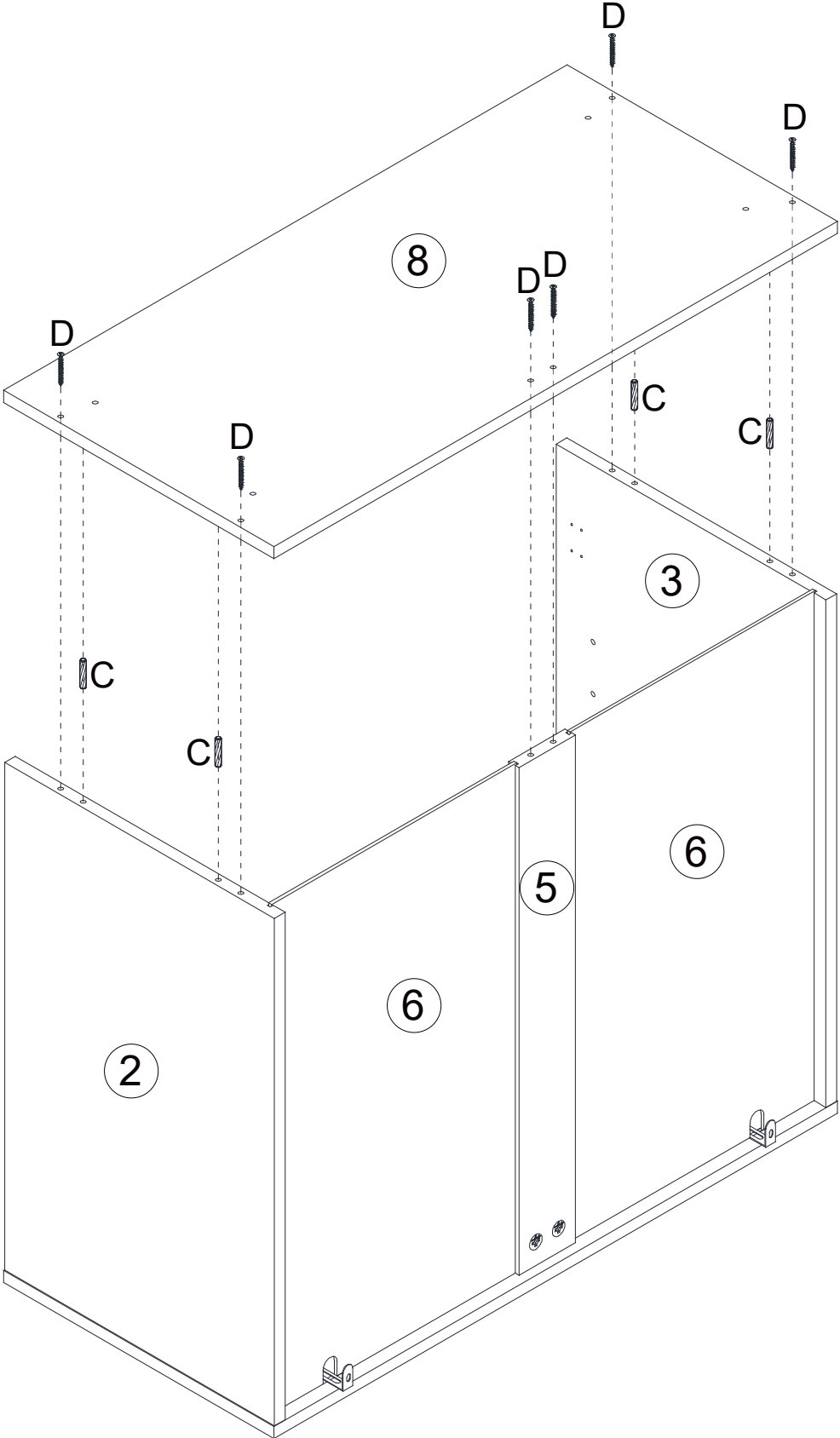


# Step 6

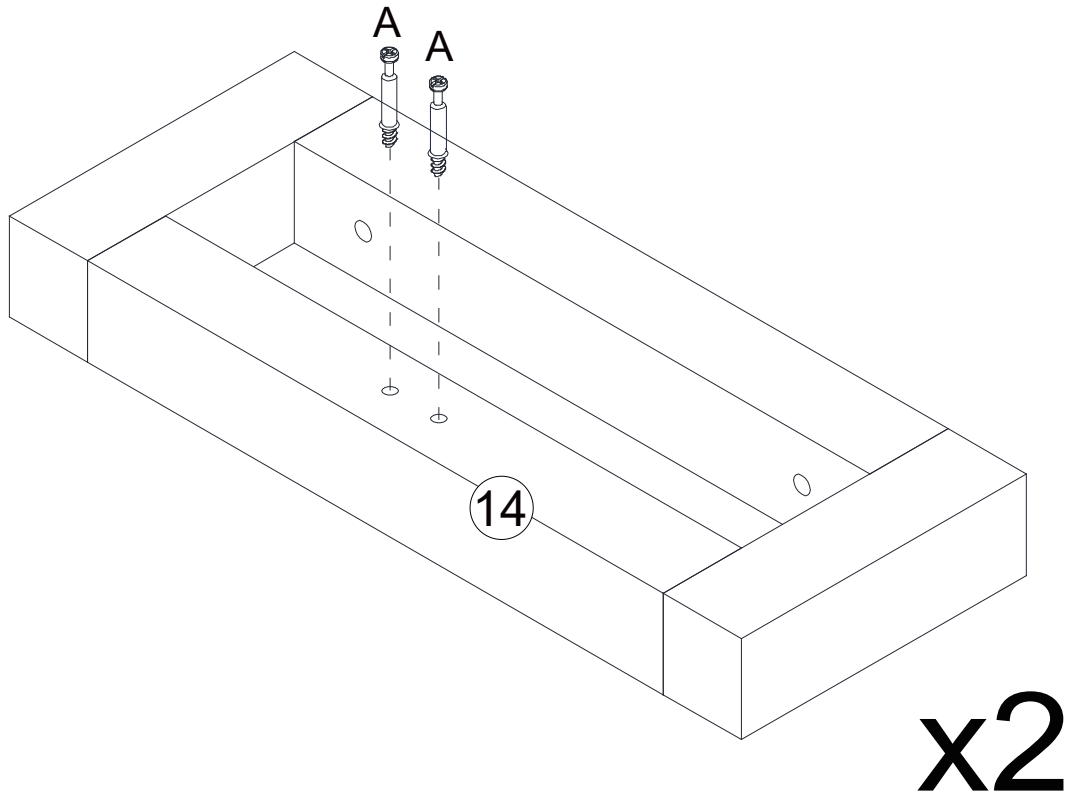
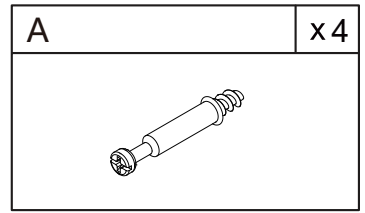


# Step 7


C	x4	D	x6
			

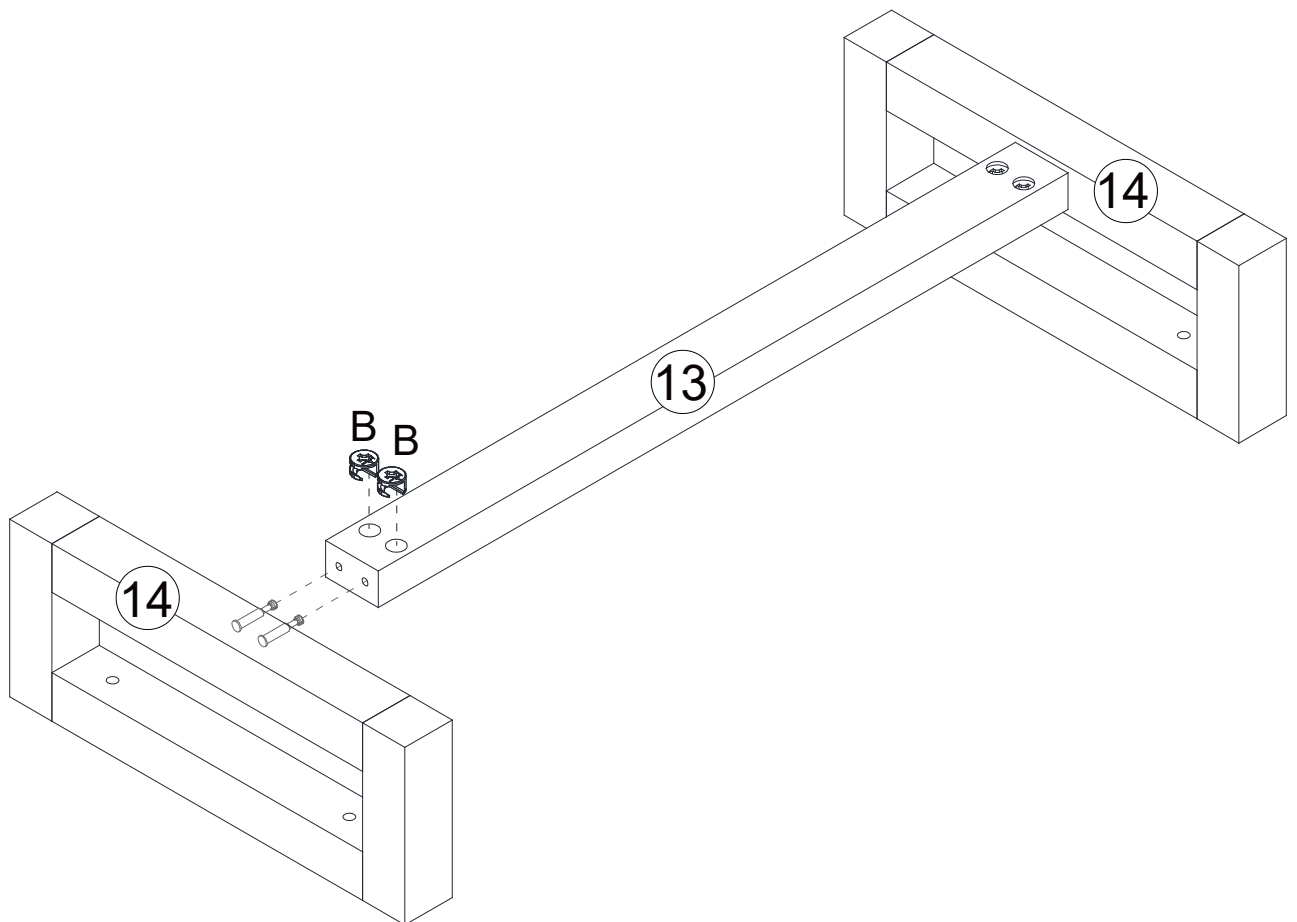
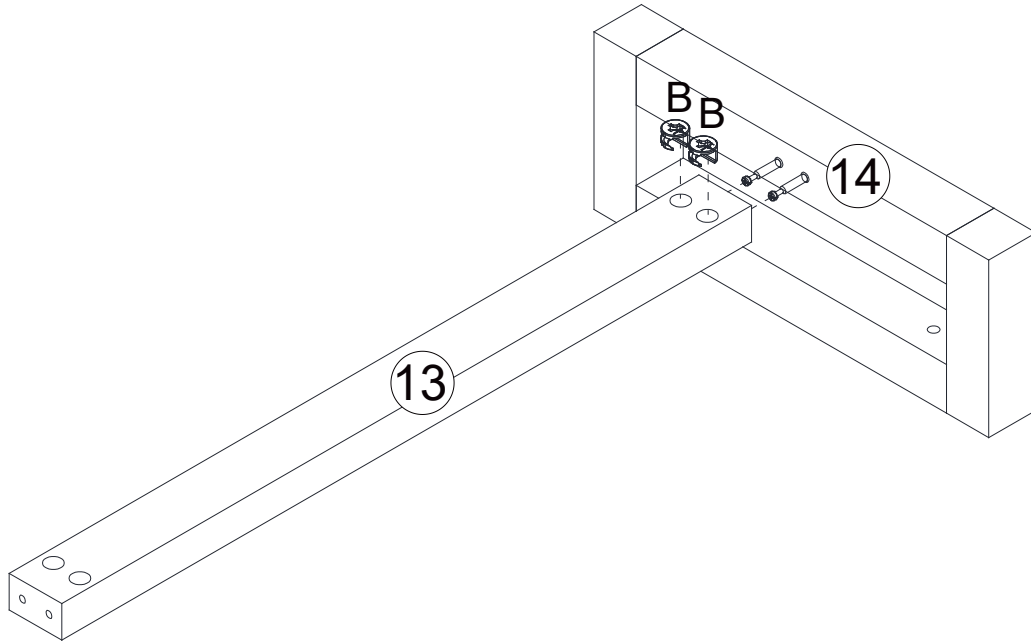


# Step 8

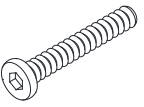
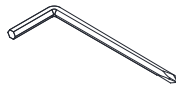



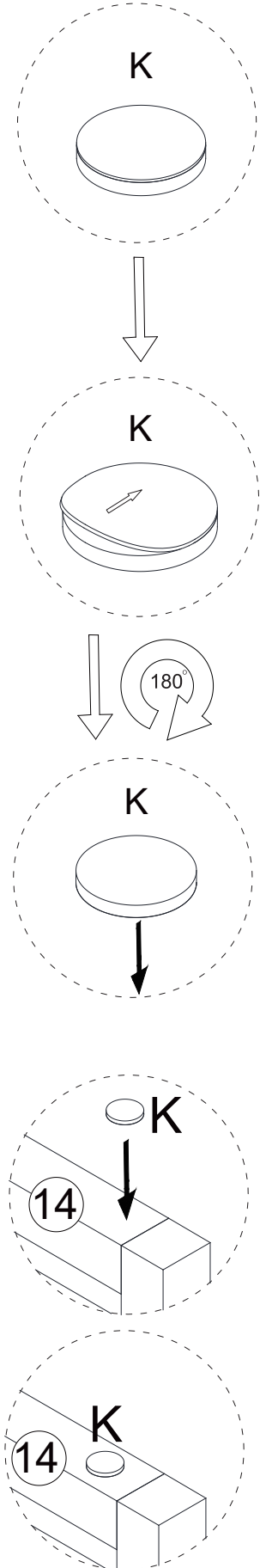
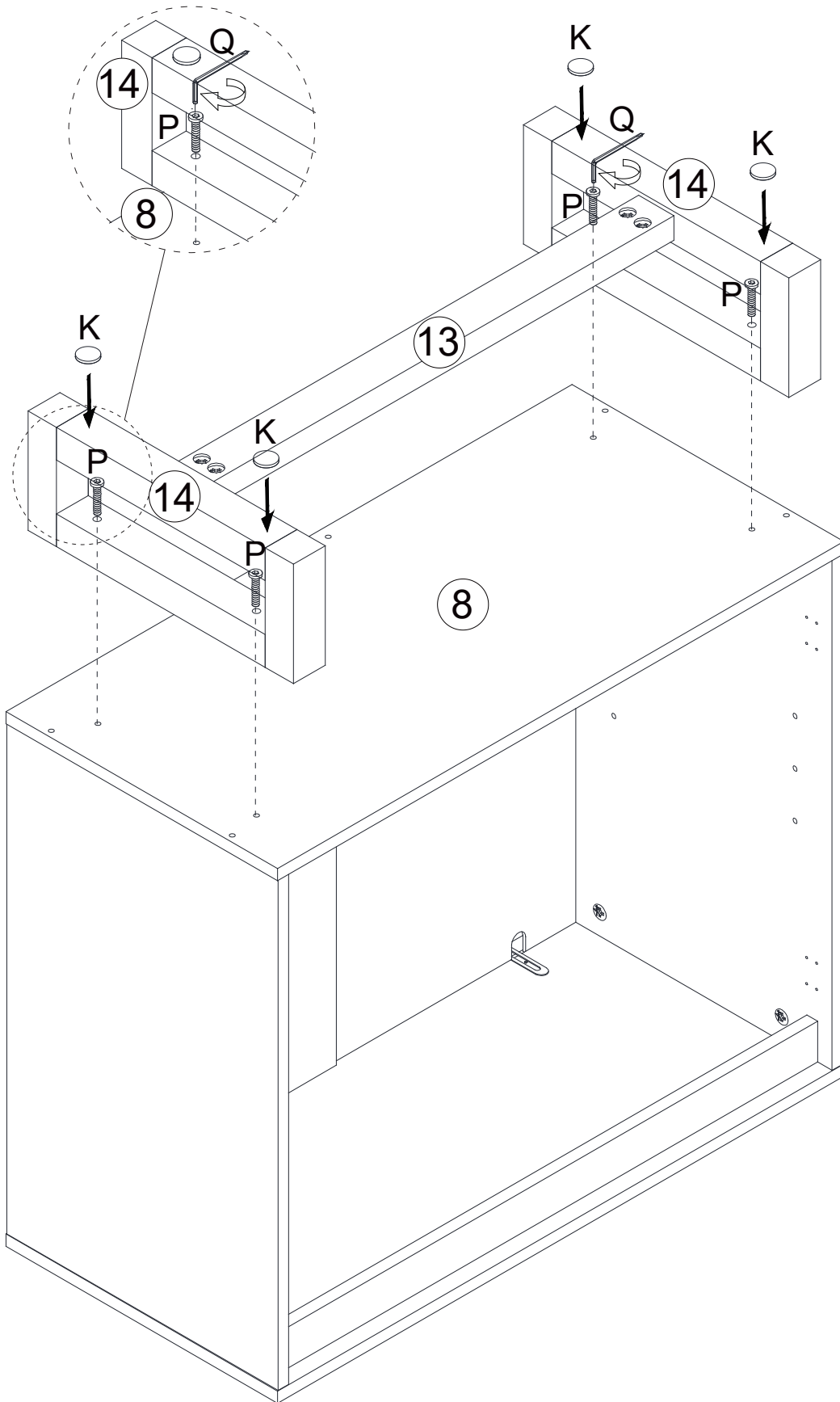
# Step 9

B	x 4
	

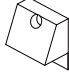
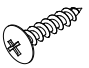


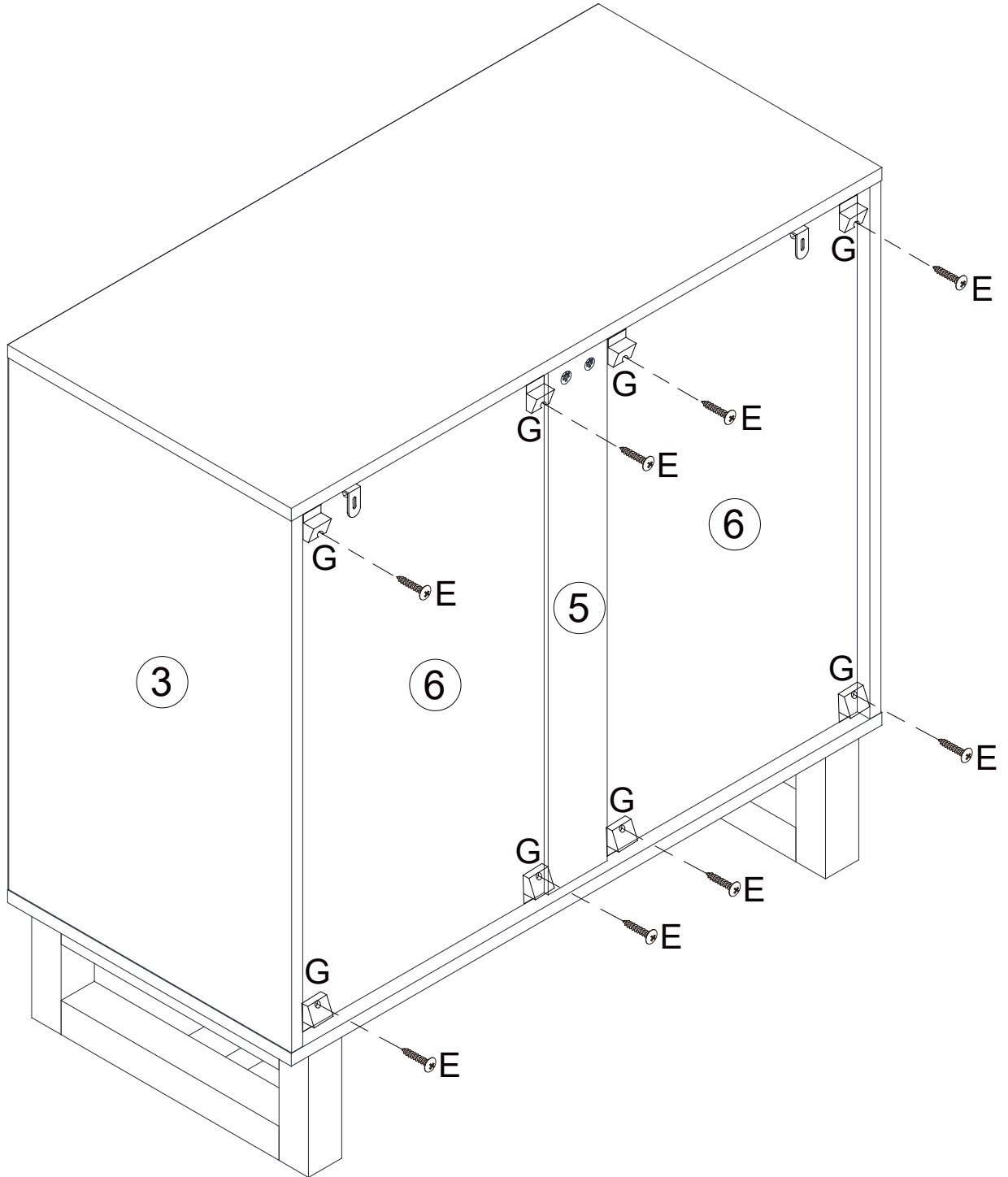
# Step 10

P	x4	Q	x1	K	x4
					


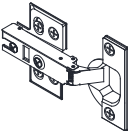


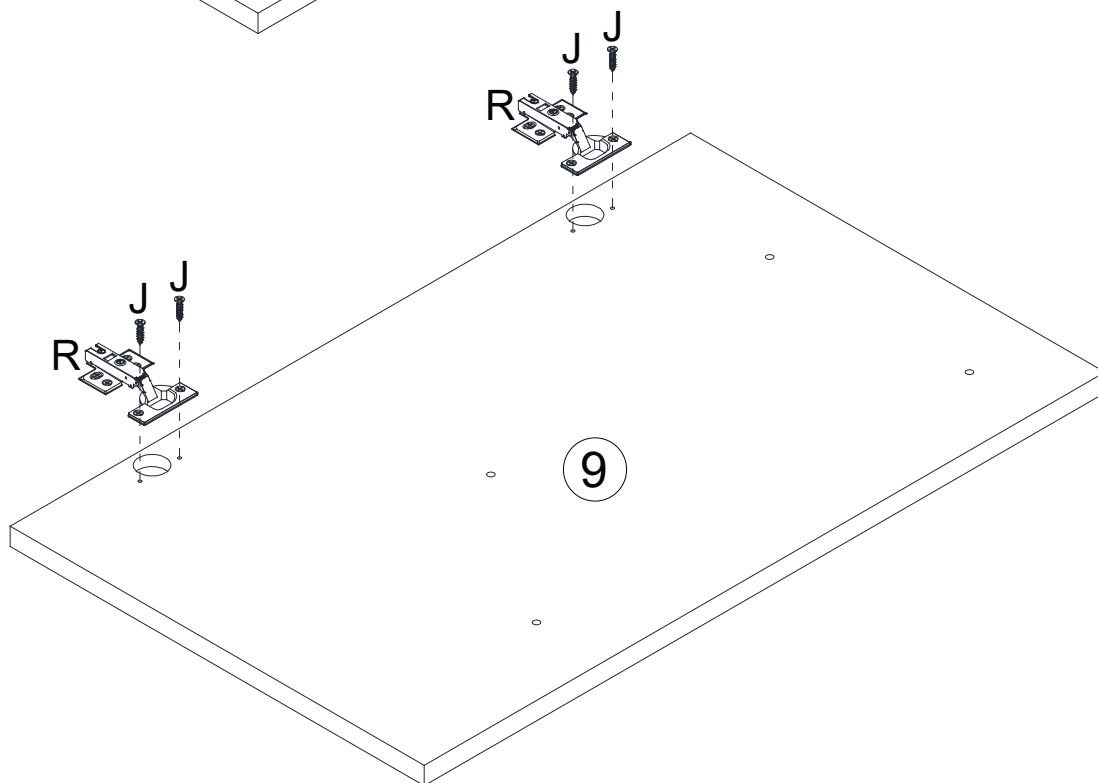
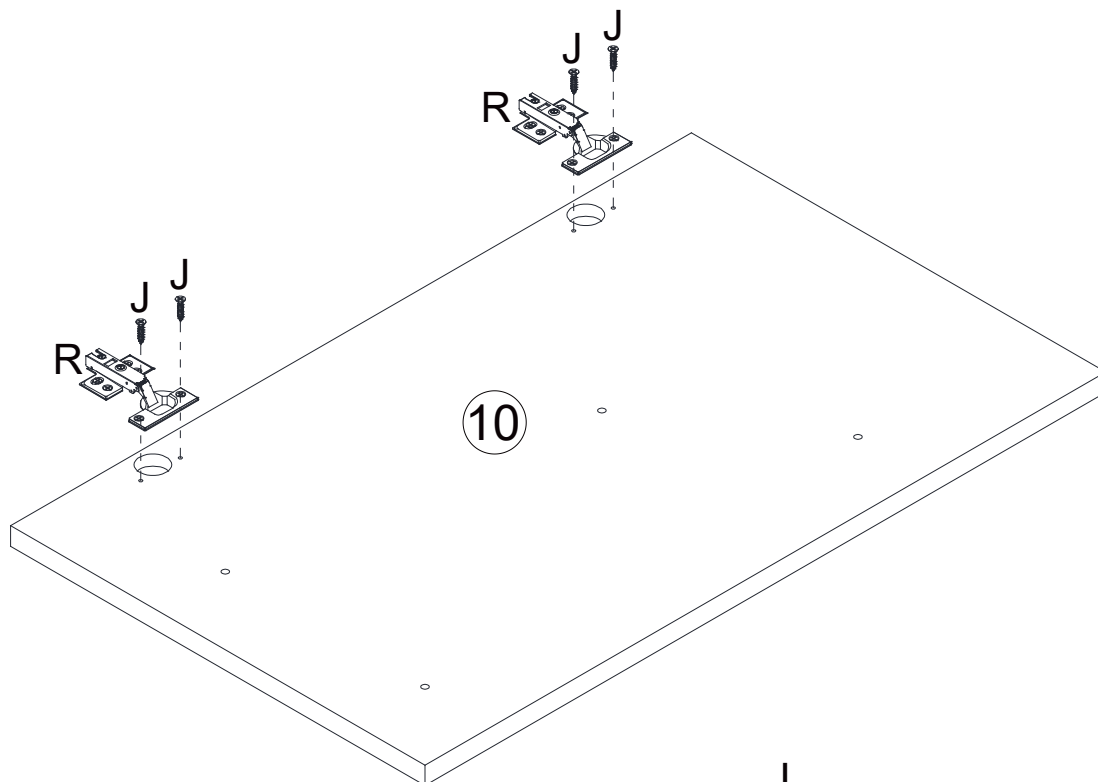
# Step 11

G	x8	E	x8
			


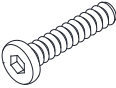



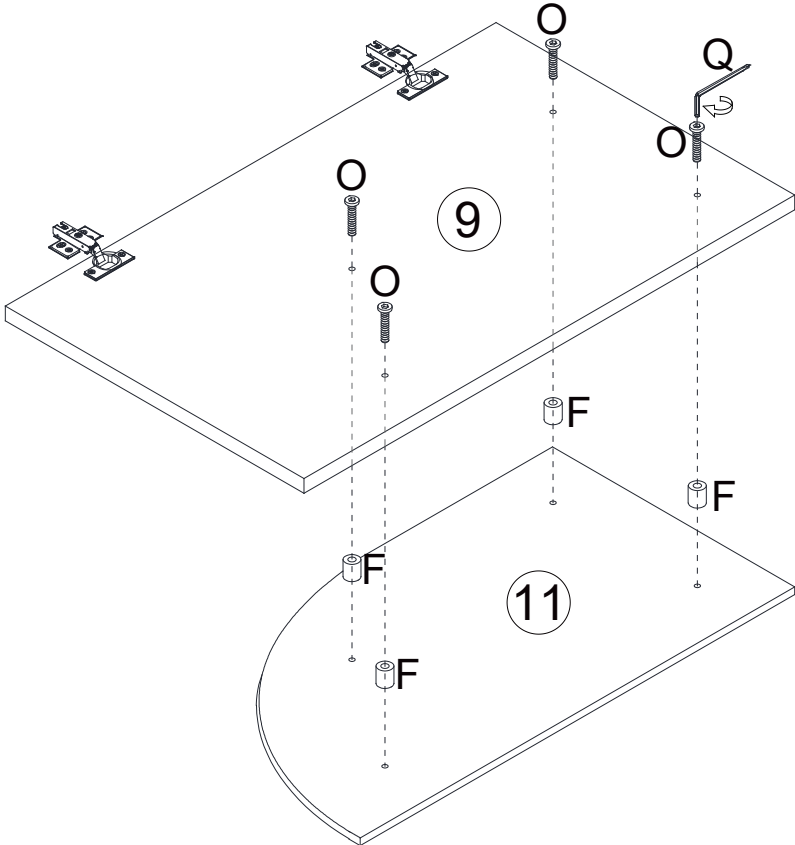
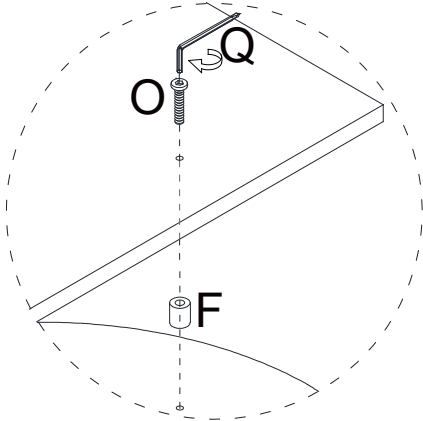
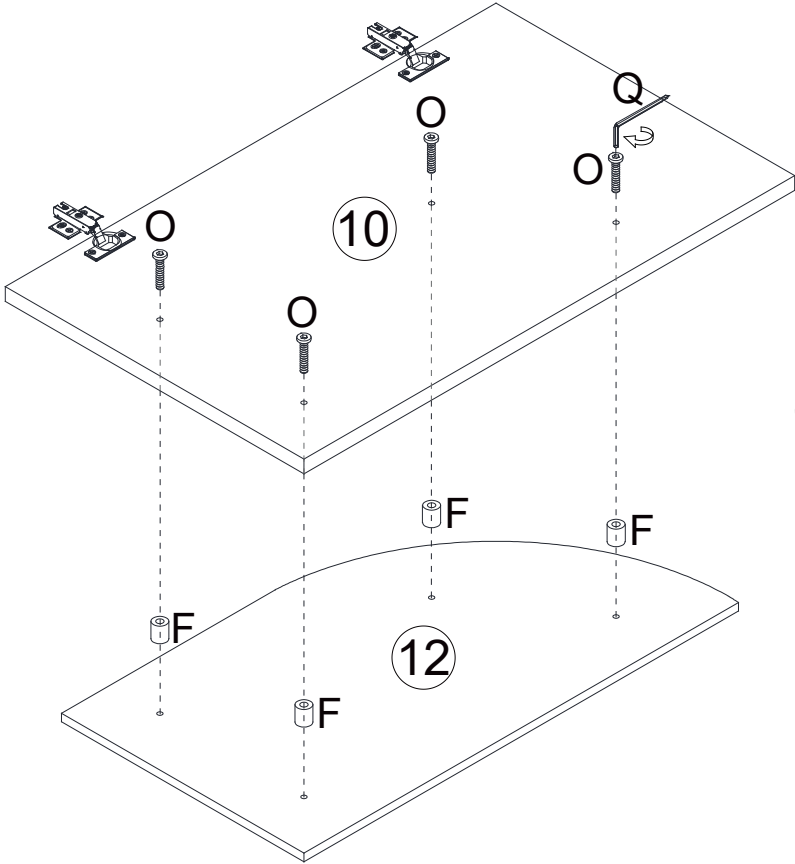
# Step 12

J	x8	R	x4
			




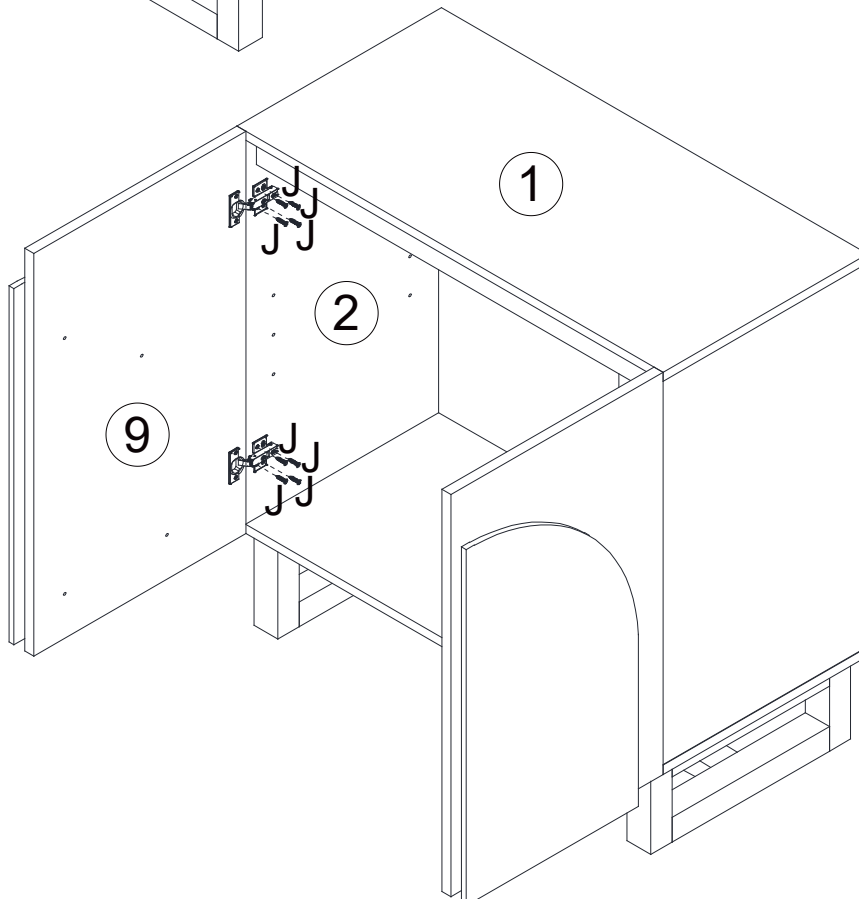
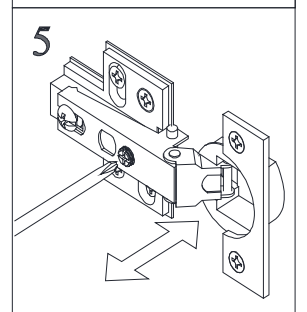
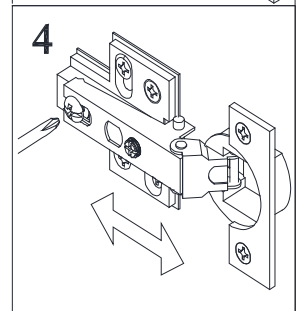
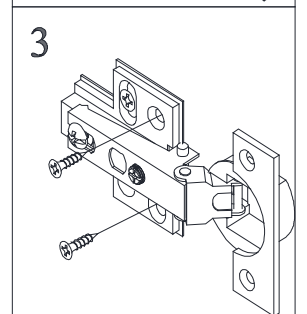
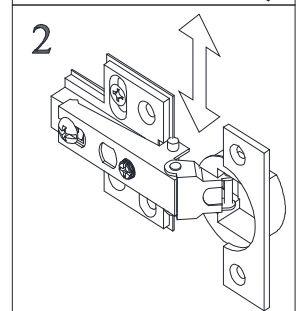
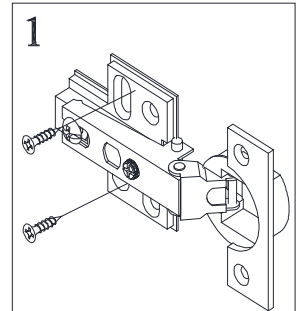
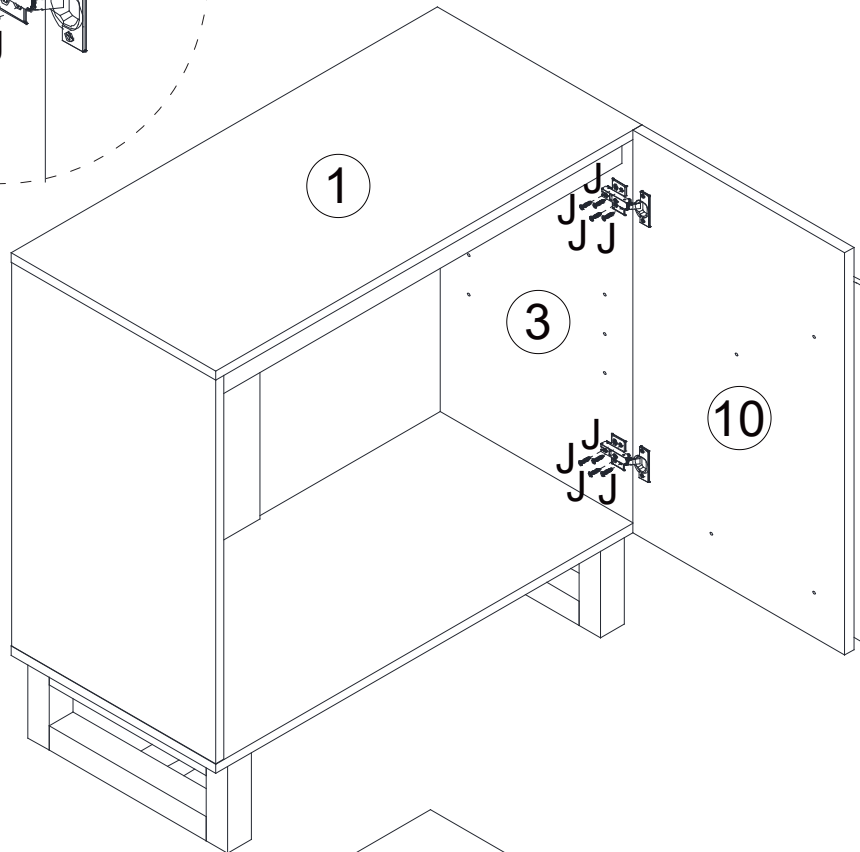
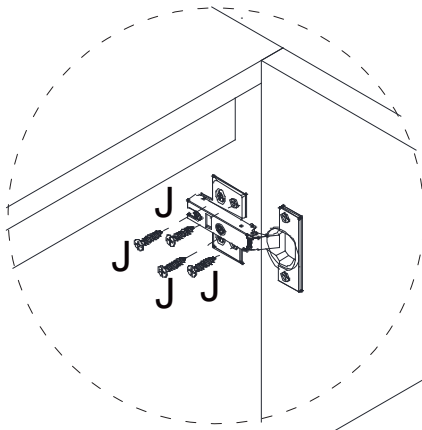
# Step 13

F	x8	O	x8	Q	x1
					

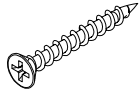
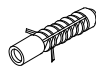



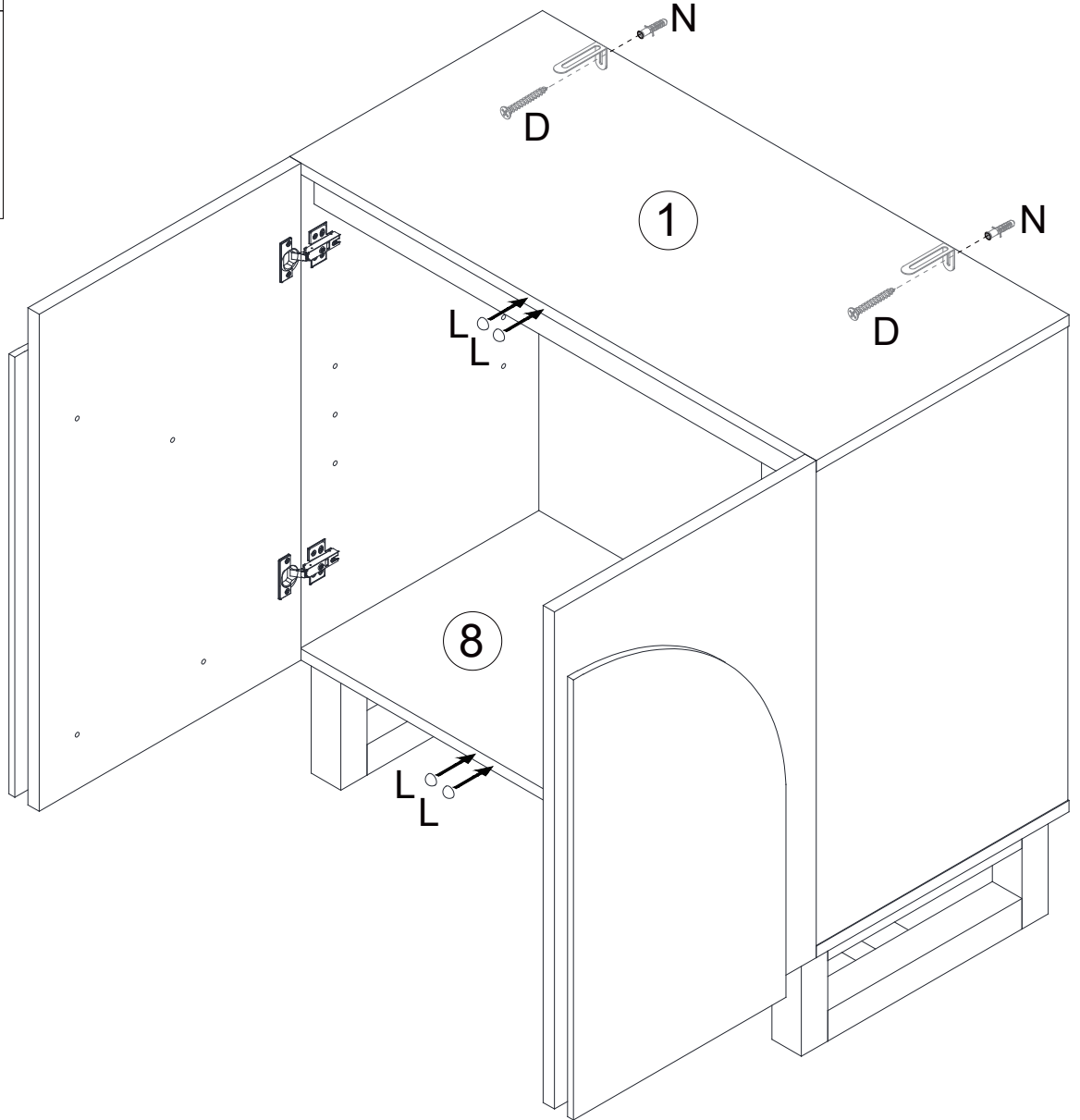
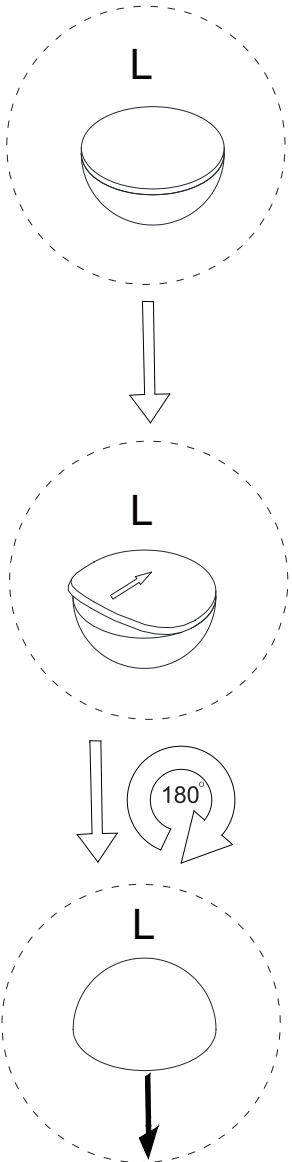
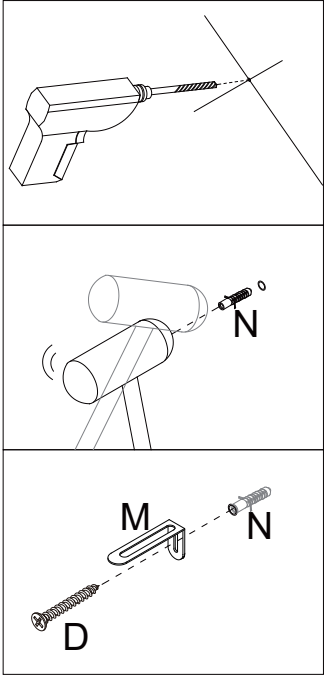
# Step 14

J	x16
	

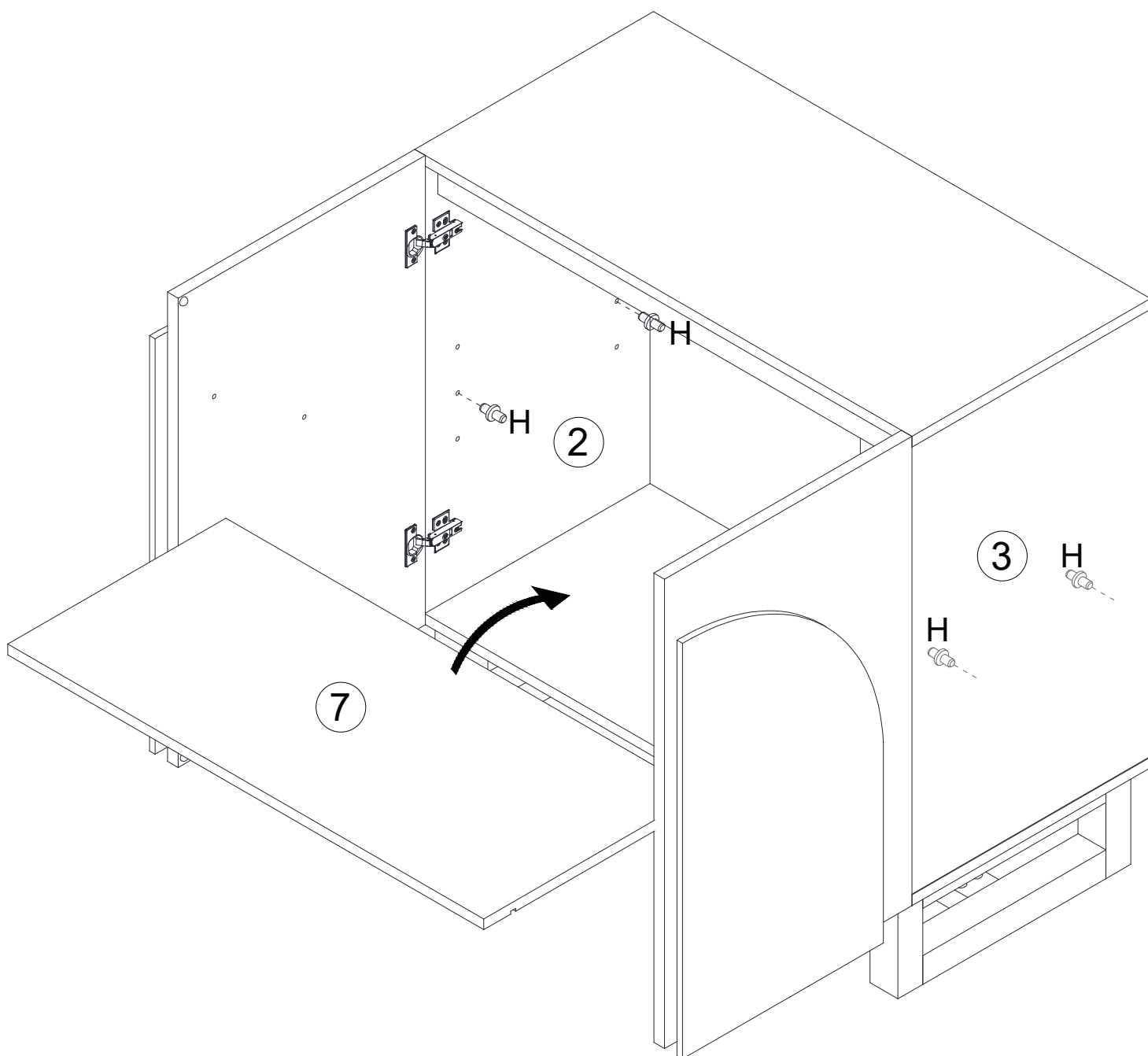
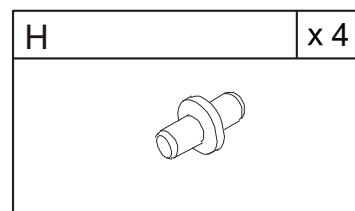


# Step 15

D	x2	N	x2	L	x4
					



# Step 16



# Proper Use

- DO NOT** use for commercial purposes
- DO NOT** use as a step stool or stand on table
- DO NOT** put hot serving liquid directly on the table top
- DO NOT** leave spilled liquid on the table top
- DO NOT** use table if damaged
- DO NOT** exceed weight limit
- DO NOT** make temporary repairs
- DO NOT** use outdoor

Dear Customer :

Thank you for purchasing our product,we wish you satisfy our service,if you have any further questions or any quality issues, please show the belows number and don't hesitate to contact our