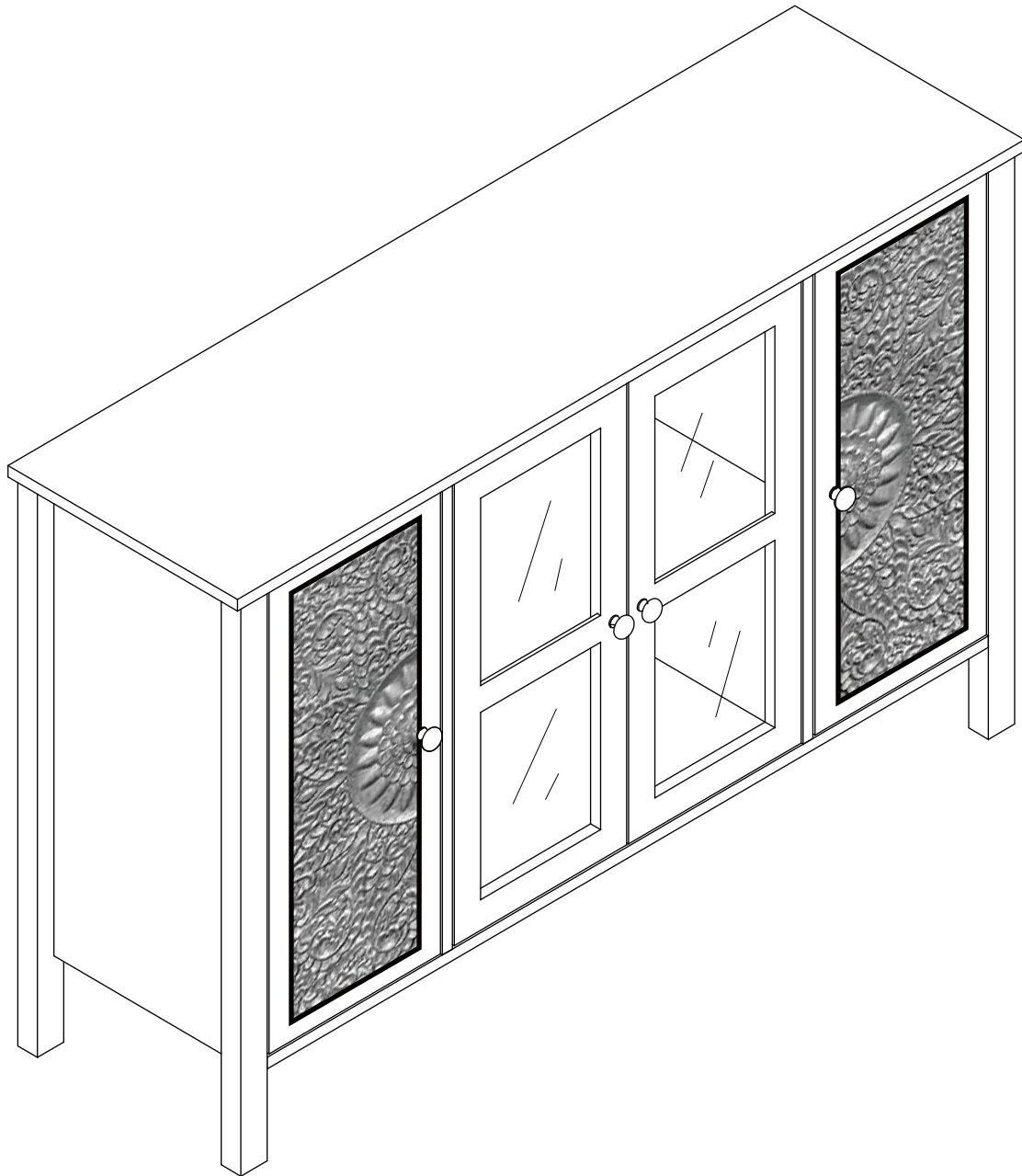


TV STAND

Assembly Instructions - Please keep for future reference.



Important - Please read these instructions fully before starting assembly.

Thank you for choosing *our products*.

1. Return Policy



DO NOT RETURN TO THE STORE! Skip the process of returning your product and contact us directly for a replacement

If you find that parts of your order are missing or damaged, we will gladly ship any needed replacement parts free of charge.

If you have found any sort of defect, please contact our customer service department and let us know the details of your order and any issues encountered, we will try our best to provide you with a solution.

Recommendations Before Beginning Assembly



- Read instructions, cover to cover



- Have 2-4 adults on hand for assembly depending on product size



- Do not assemble directly on flooring or carpet



- Assemble on a clean non-marring surface (example: packing foam)























- Save all packaging until finished

3. Assembly Notice:

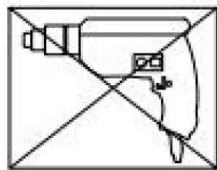
- If you encounter any problems during assembly and find that you cannot continue, rest assured we will help you solve the situation as soon as possible. Simply keep all of the parts of the product stored in a safe place and contact us immediately so we may assist you further.
- Once you have opened your package, remove all inner hardware packages and take the parts out. One by one, Place the parts out neatly in front of you, then refer to the instructions to ensure no parts are missing. If any pieces are found missing, please carefully look in the box first, as the hardware packaging might have torn making the hardware spill in the box.
- Some key parts of your product may be stored and hidden inside of other parts. Please open any zippered or hook & loop storage compartments to remove all parts. (example: cushions and legs being stored in the underside of a sofa)
- IMPORTANT: When setting up your product, DO NOT INSTALL THE SCREWS ALL THE WAY IN THE BEGINNING. Place each screw into their proper hole and use your hand to twist the screw halfway. Twist all the screws in halfway to ensure the holes will match up properly and the product is level on the ground. When everything seems fitted, then tighten the screws.
- When you have completed assembly, we suggest you have more than one person to assist you with lifting and placing the product.

Care & Maintenance

-   ● Do not put hot items directly on furniture surface
-   ● Do not clean furniture with harsh cleansers or polish
-   ● Do not place furniture under direct sunlight
-   ● Do not place furniture near heating or cooling vents
-   ● Do not write on furniture without a padded barrier to protect the surface
-   ● Do not place furniture outside. For indoor use only
-   ● Not for commercial use. For residential use only
-   ● Stains may be removed with mild soap solution and damp cloth
-   ● Children should not climb or jump on the furniture
-   ● Dust and pick-up spills using a clean, non-colored, lint-free cloth

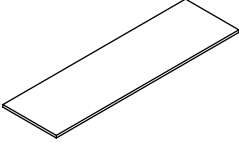
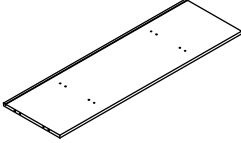
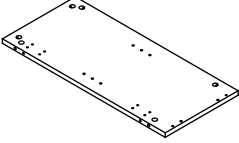
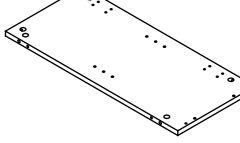
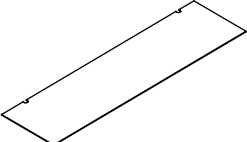
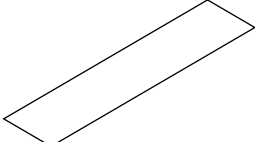
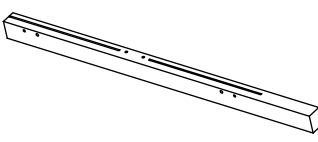
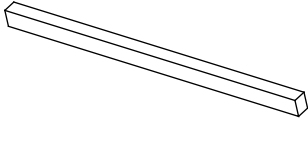
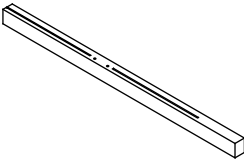
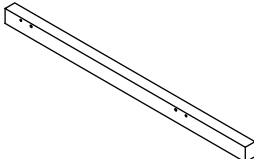
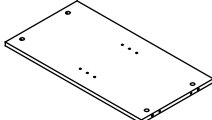
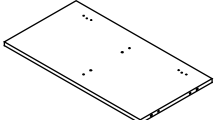
Caution

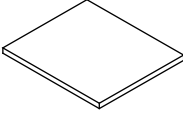
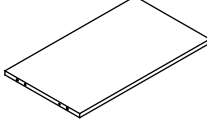
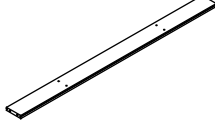
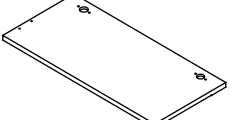
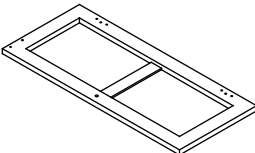
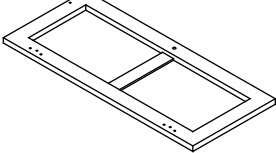
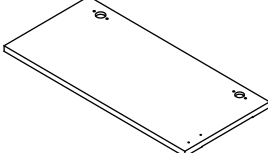
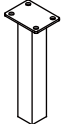
- This product contains small components. Please ensure that they are kept away from small children.
- Do not use power tools to assemble your furniture. Power tools may strip or damage the parts.



Please check you have all the panels listed below.

Note: The quantities below are the correct amount to complete the assembly. In some cases more fittings may be supplied than are required.

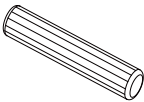
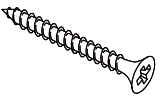
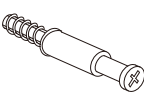

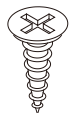
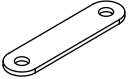
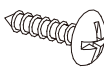
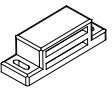
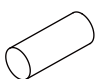
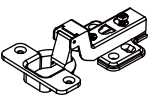


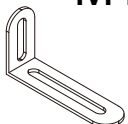
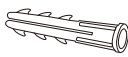
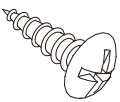
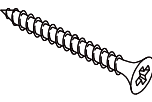
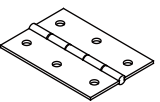

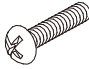
			
① x 1pc	② x 1pc	③ x 1pc	④ x 1pc
			
⑤ x 1pc	⑥ x 1pc	⑦ x 1pc	⑧ x 1pc
			
⑨ x 1pc	⑩ x 1pc	⑪ x 1pc	⑫ x 1pc

			
⑬ x 2pcs	⑭ x 1pc	⑮ x 1pc	⑯ x 1pc
			
⑰ x 1pc	⑱ x 1pc	⑲ x 1pc	⑳ x 1pc
Hardware			

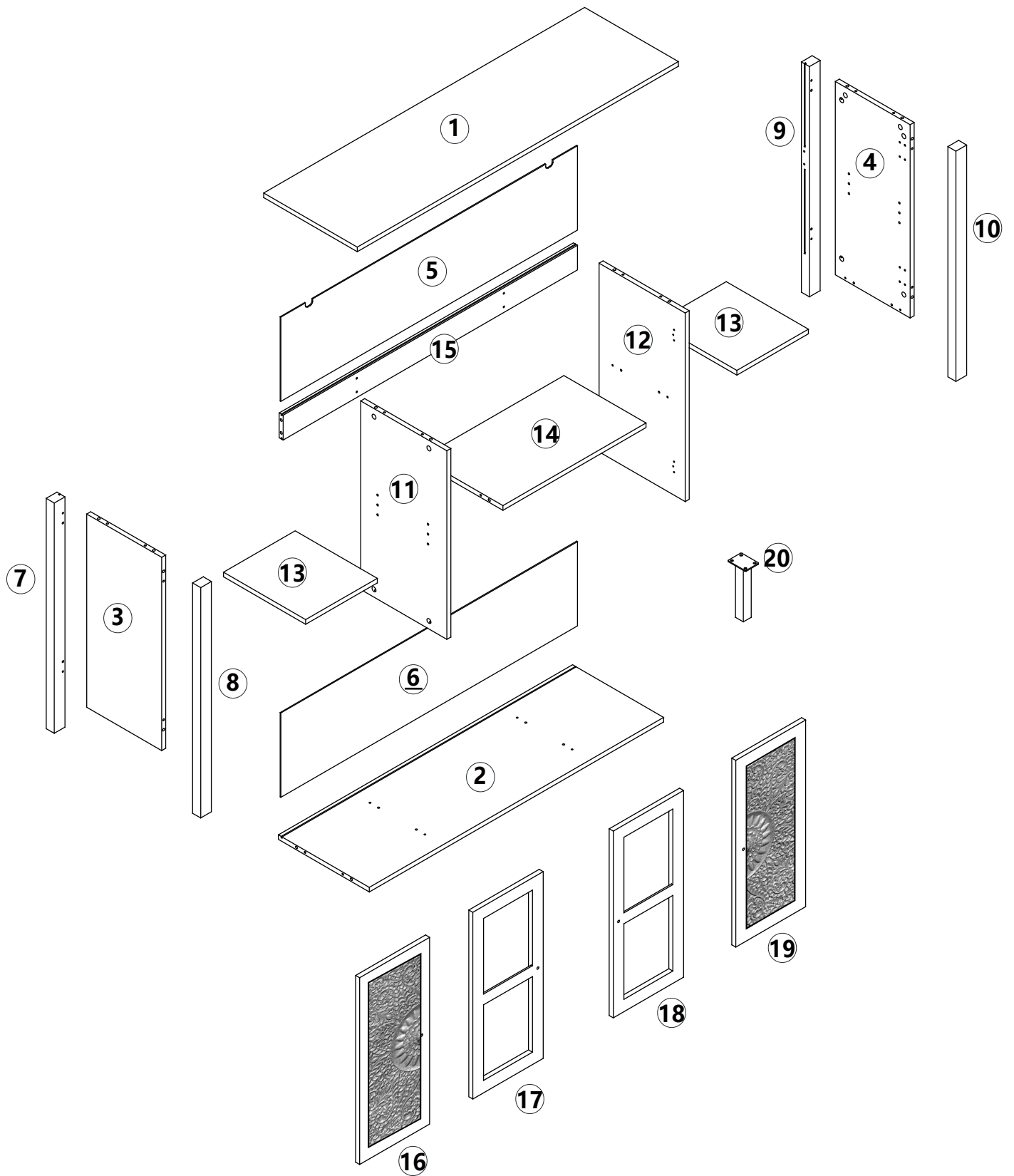
Please check you have all the panels listed below.

Note: The quantities below are the correct amount to complete the assembly. In some cases more fittings may be supplied than are required.

Hardware-Liste

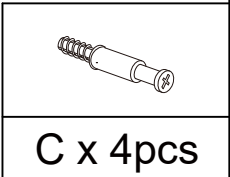
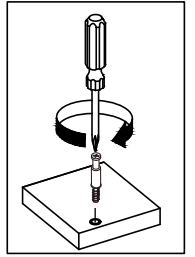
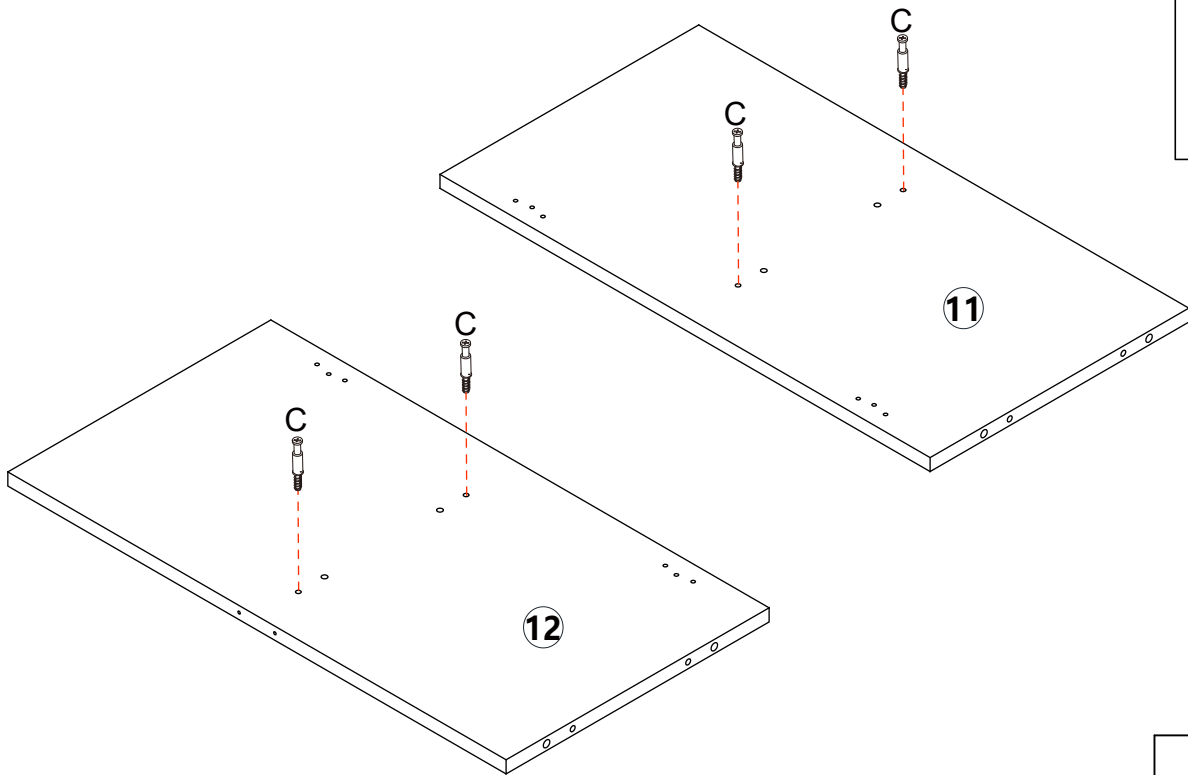
 Φ8x30mm	 M4x30mm		
A x 28pcs	B x 4pcs	C x 32pcs	D x 32pcs
 M3.5x14mm		 M4x14mm	
E x 48pcs	F x 4pcs	G x 4pcs	H x 4pcs
			 M3x14mm
I x 8pcs	J x 4pcs	K x 8pcs	L x 24pcs
 M1 +  M2 +  M3 +  M4 M x 2pcs			
			N x 4pcs
			
O x 4pcs	P x 4pcs		

Assembly Instructions

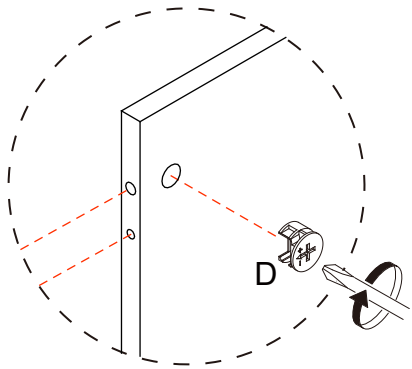


Assembly Instructions

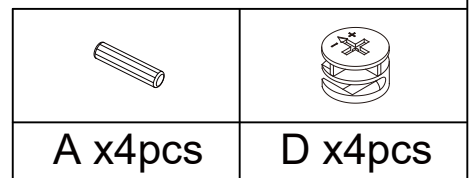
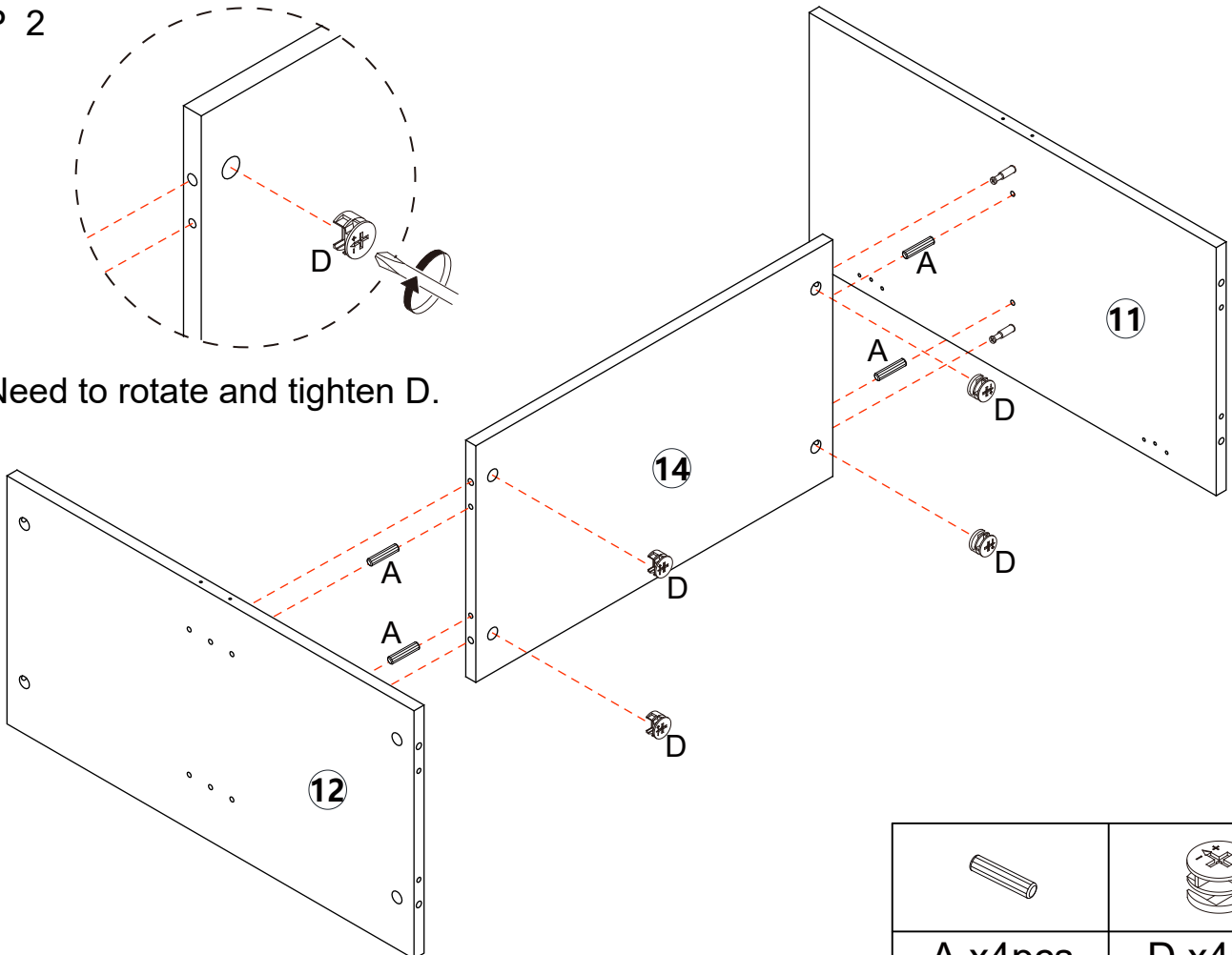
STEP 1



STEP 2

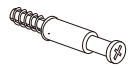
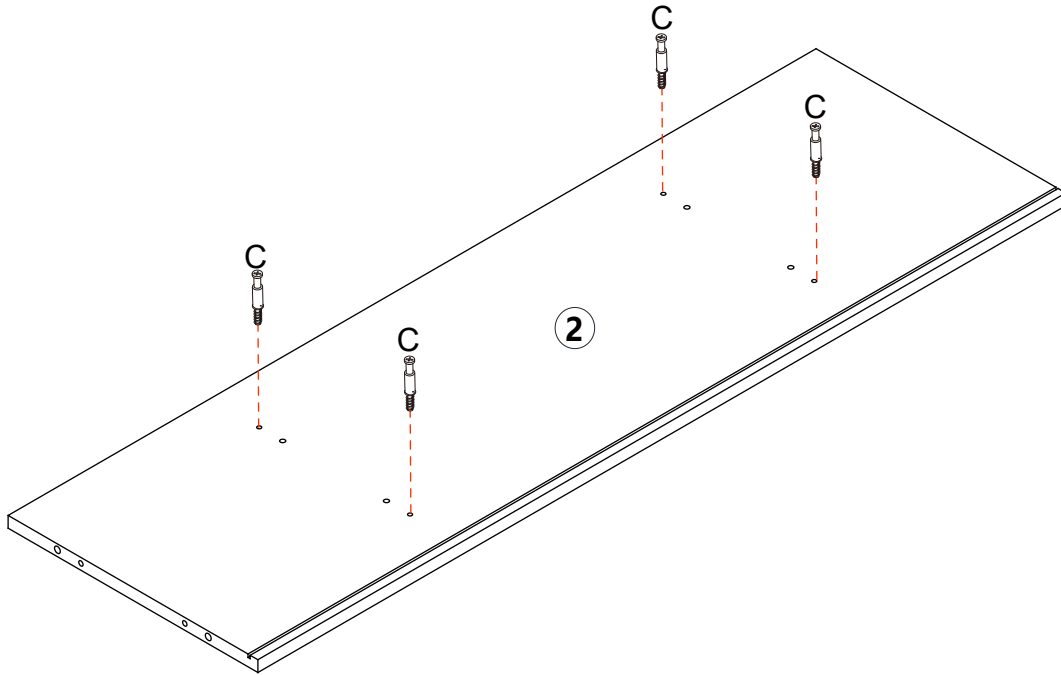


Need to rotate and tighten D.



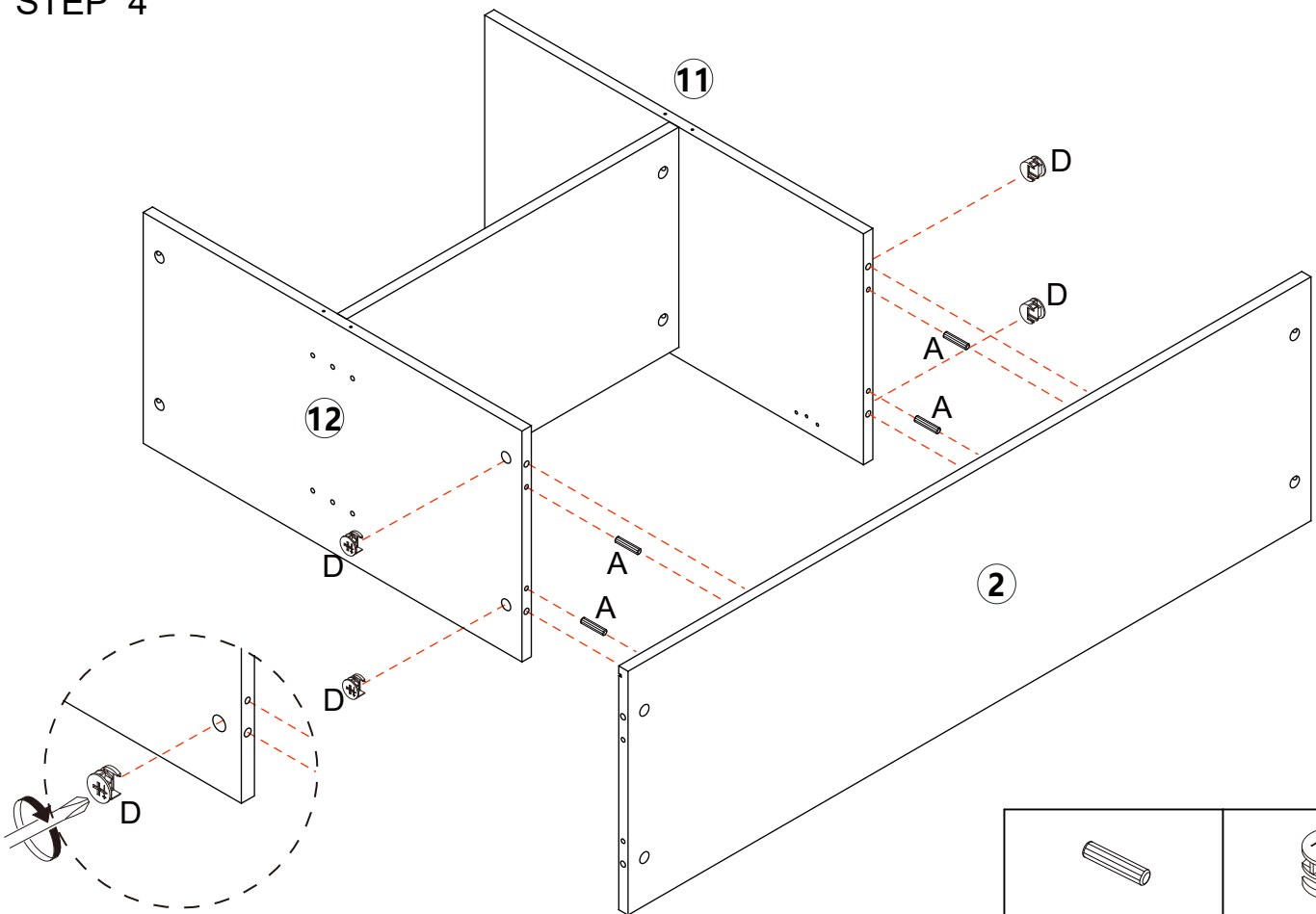
Assembly Instructions

STEP 3



C x 4pcs

STEP 4



Need to rotate and tighten D.



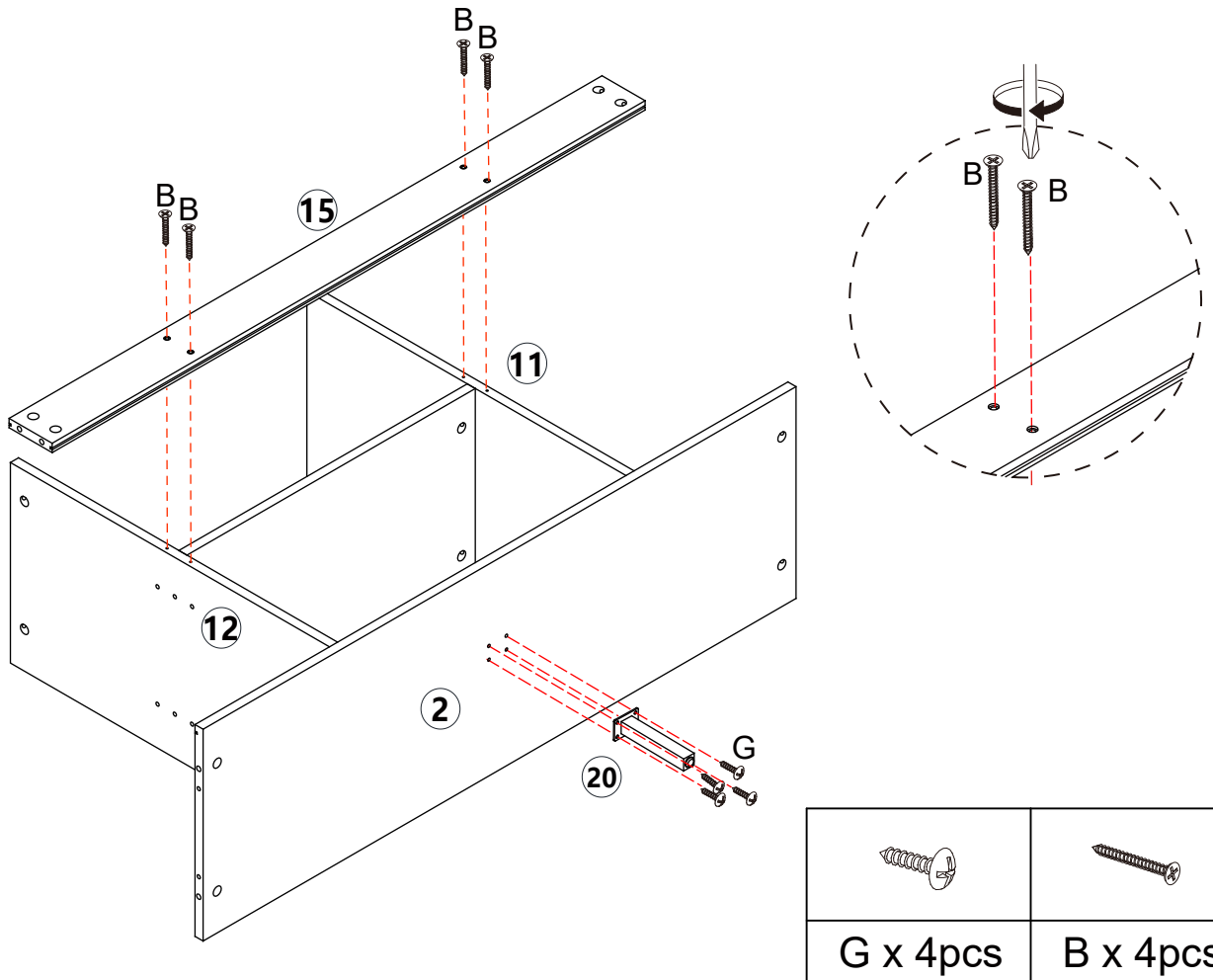
A x4pcs



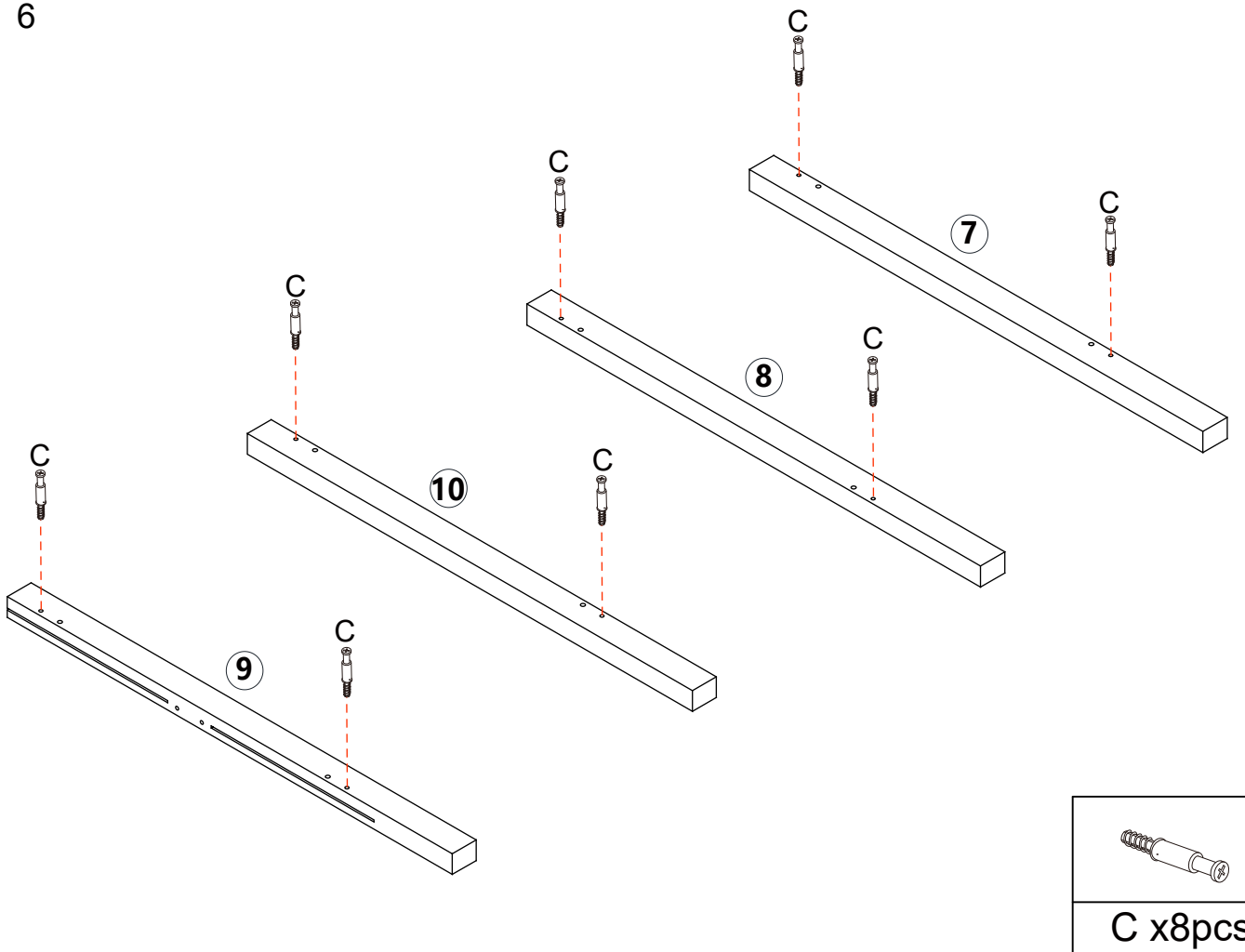
D x4pcs

Assembly Instructions

STEP 5



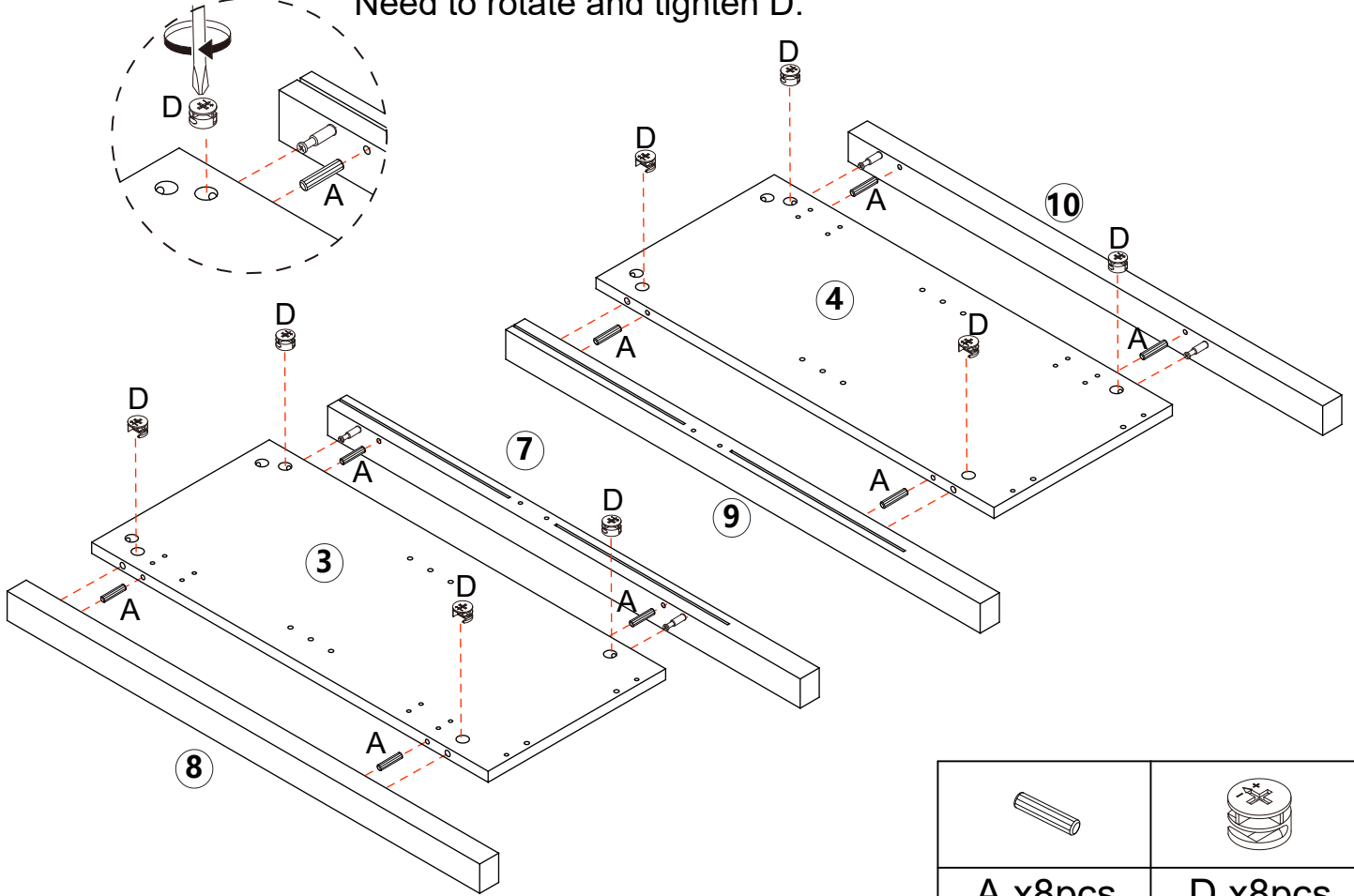
STEP 6



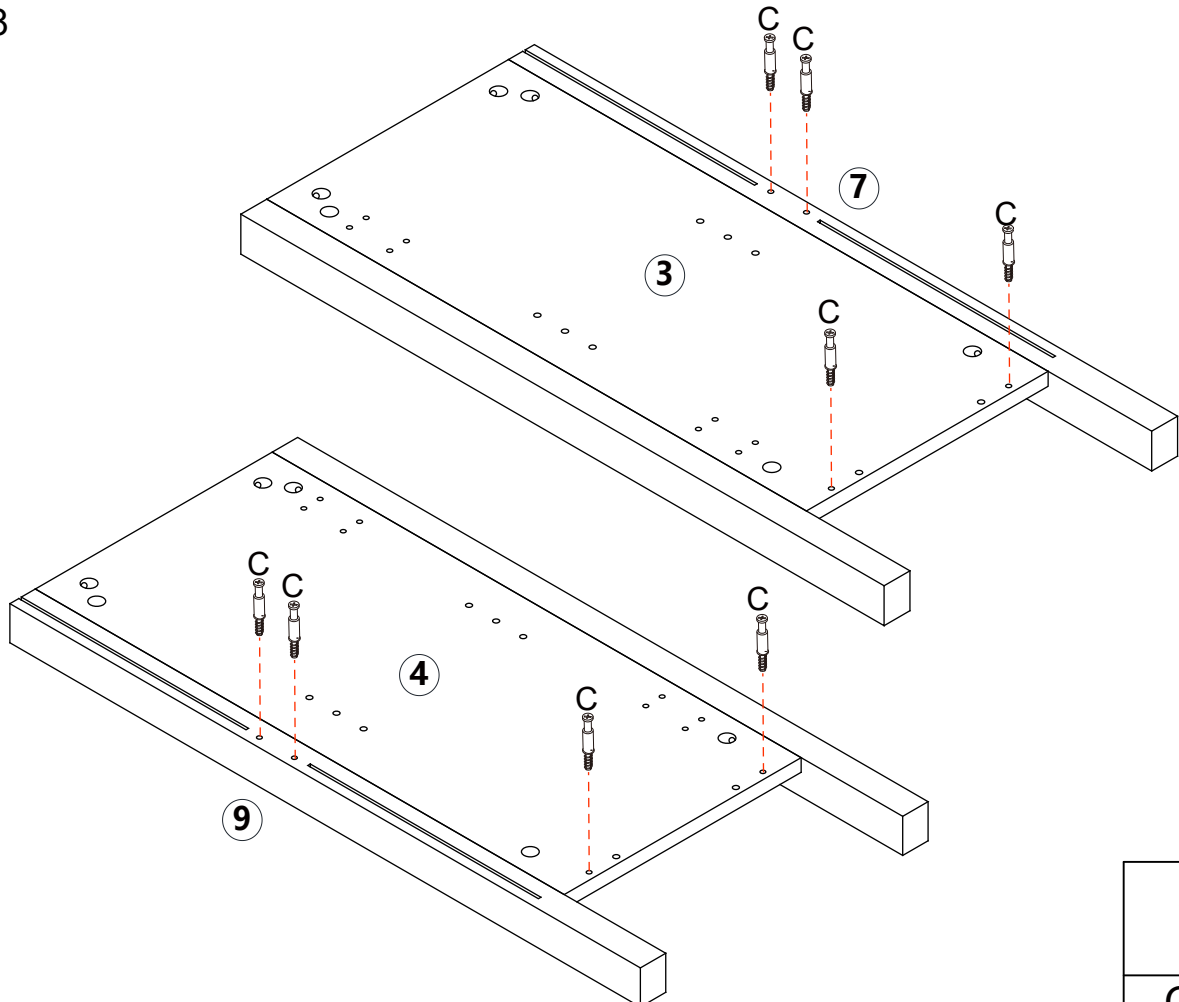
Assembly Instructions

STEP 7

Need to rotate and tighten D.



STEP 8

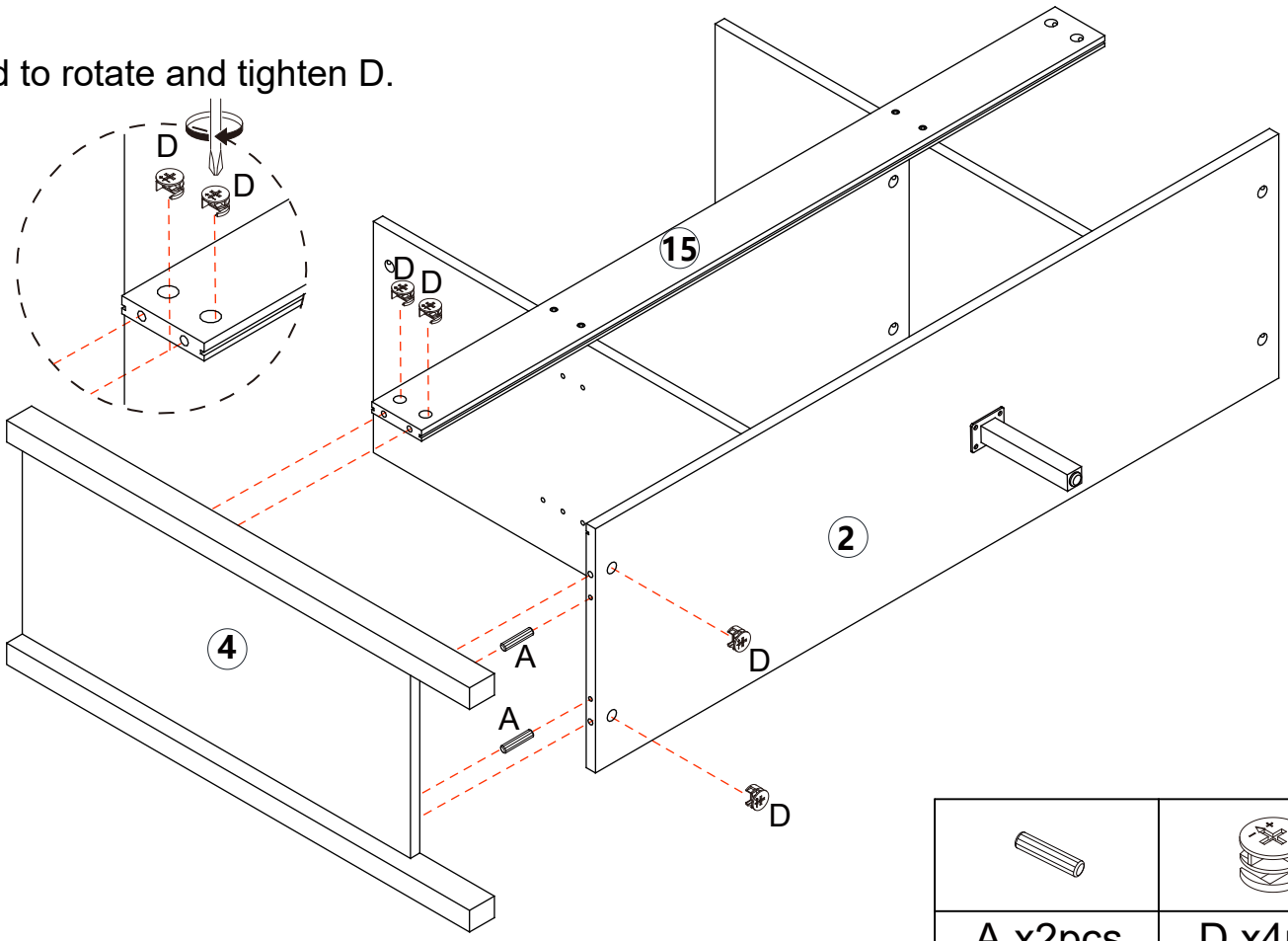


C x8pcs

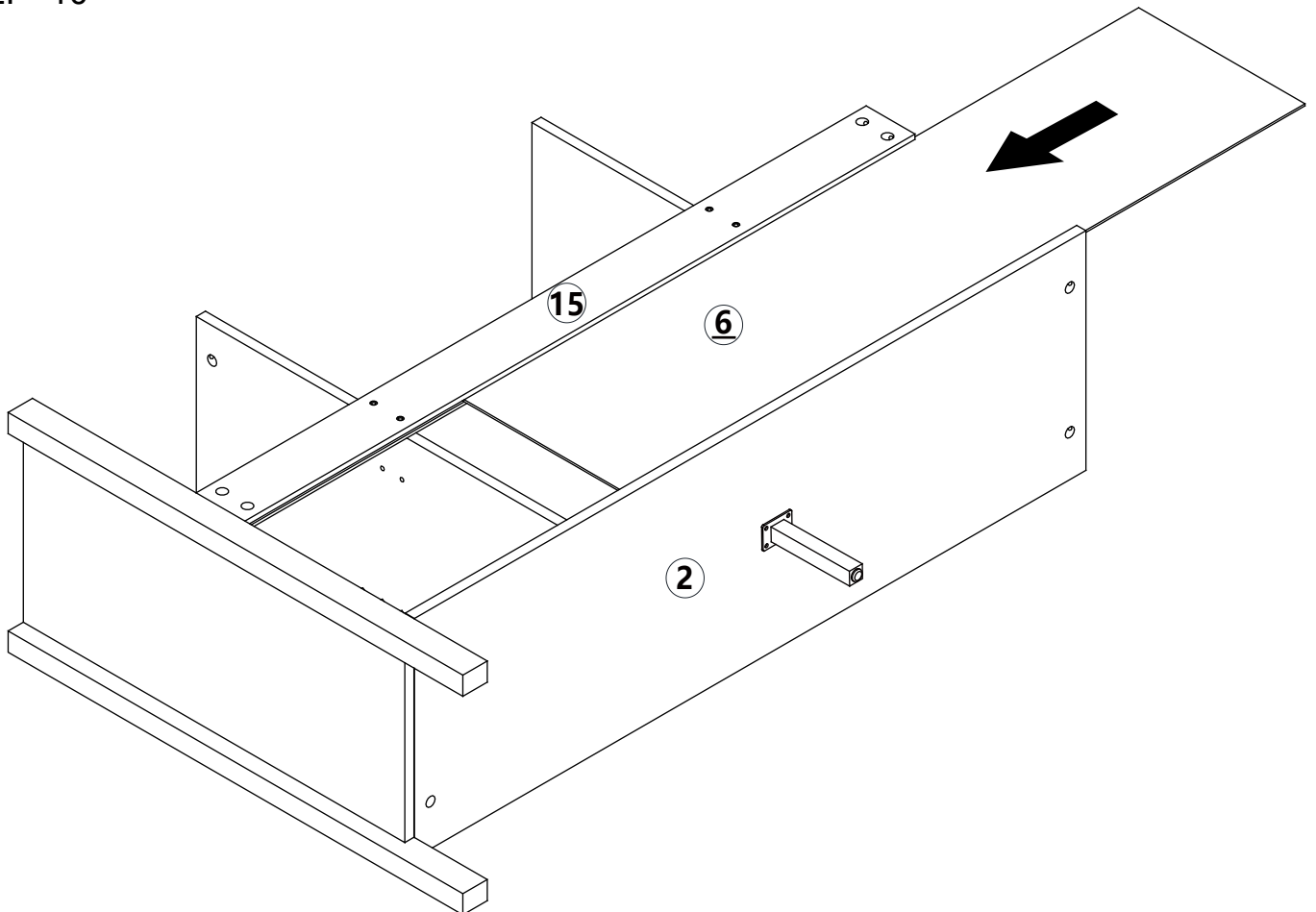
Assembly Instructions

STEP 9

Need to rotate and tighten D.



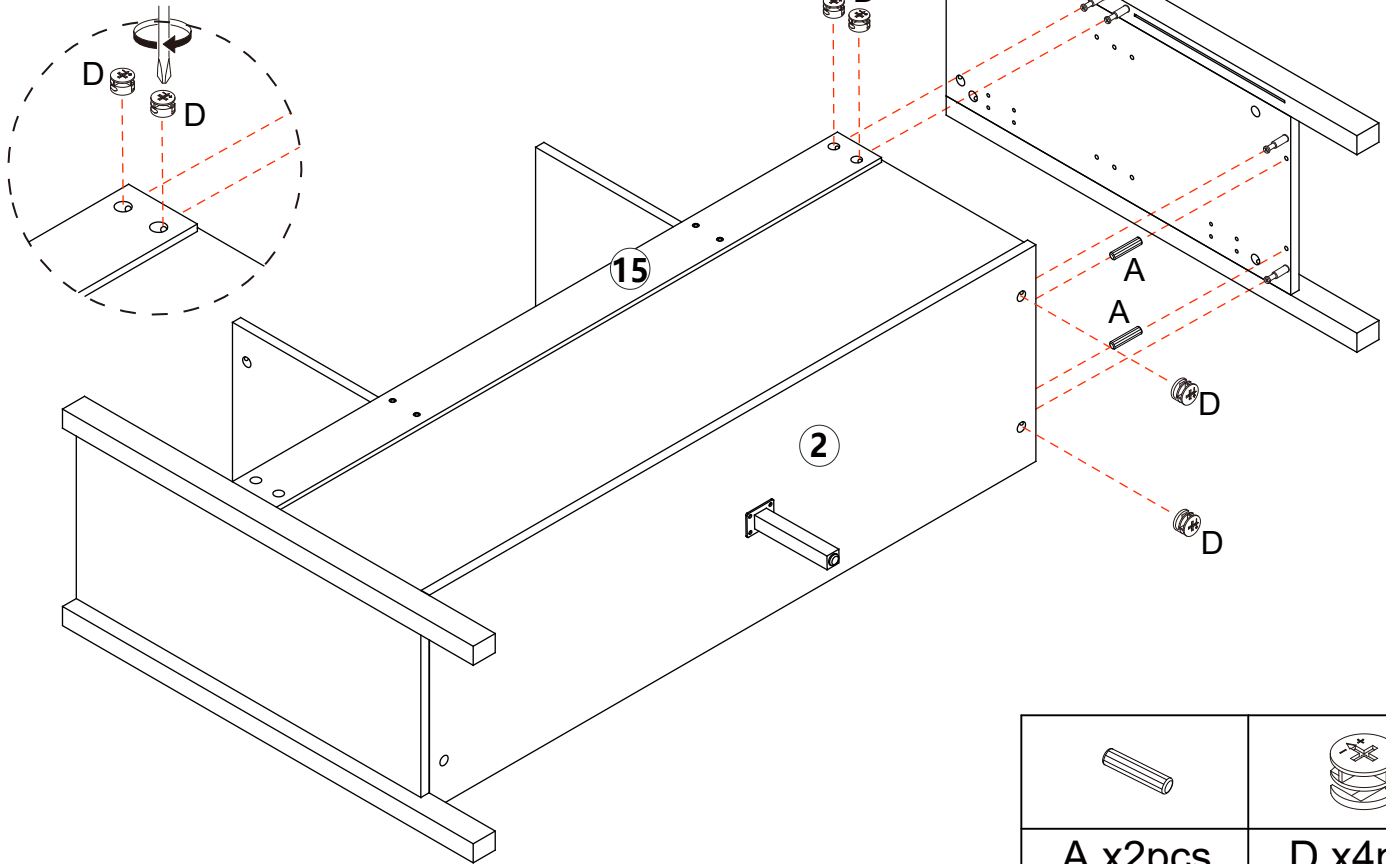
STEP 10



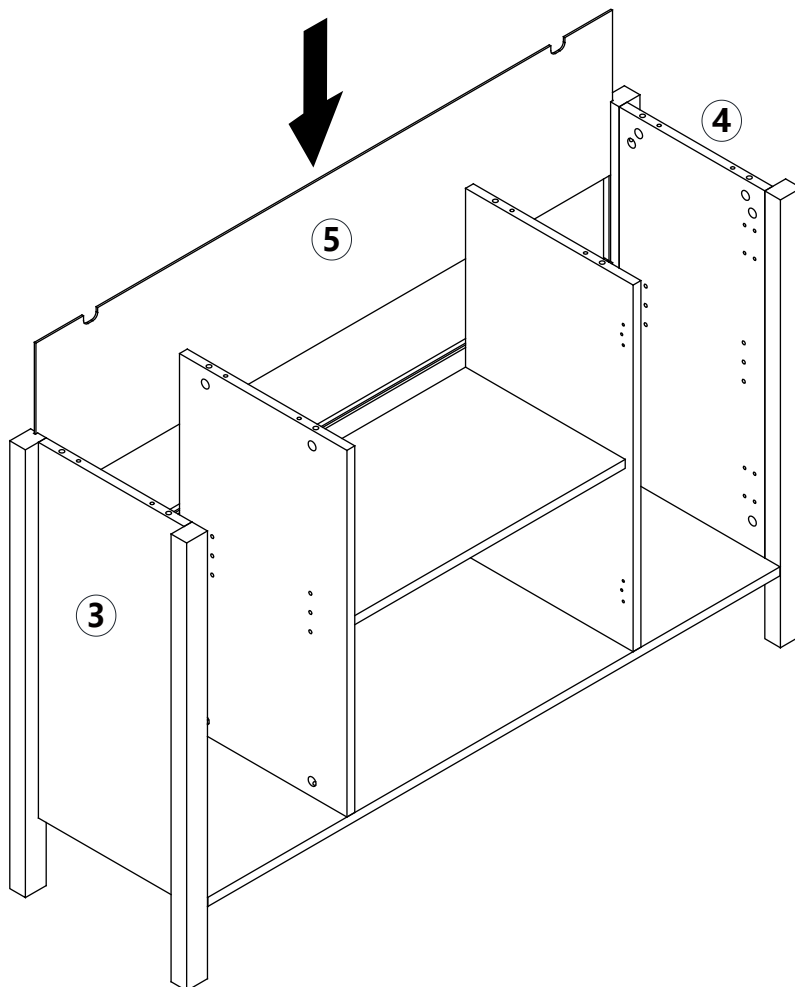
Assembly Instructions

STEP 11

Need to rotate and tighten D.

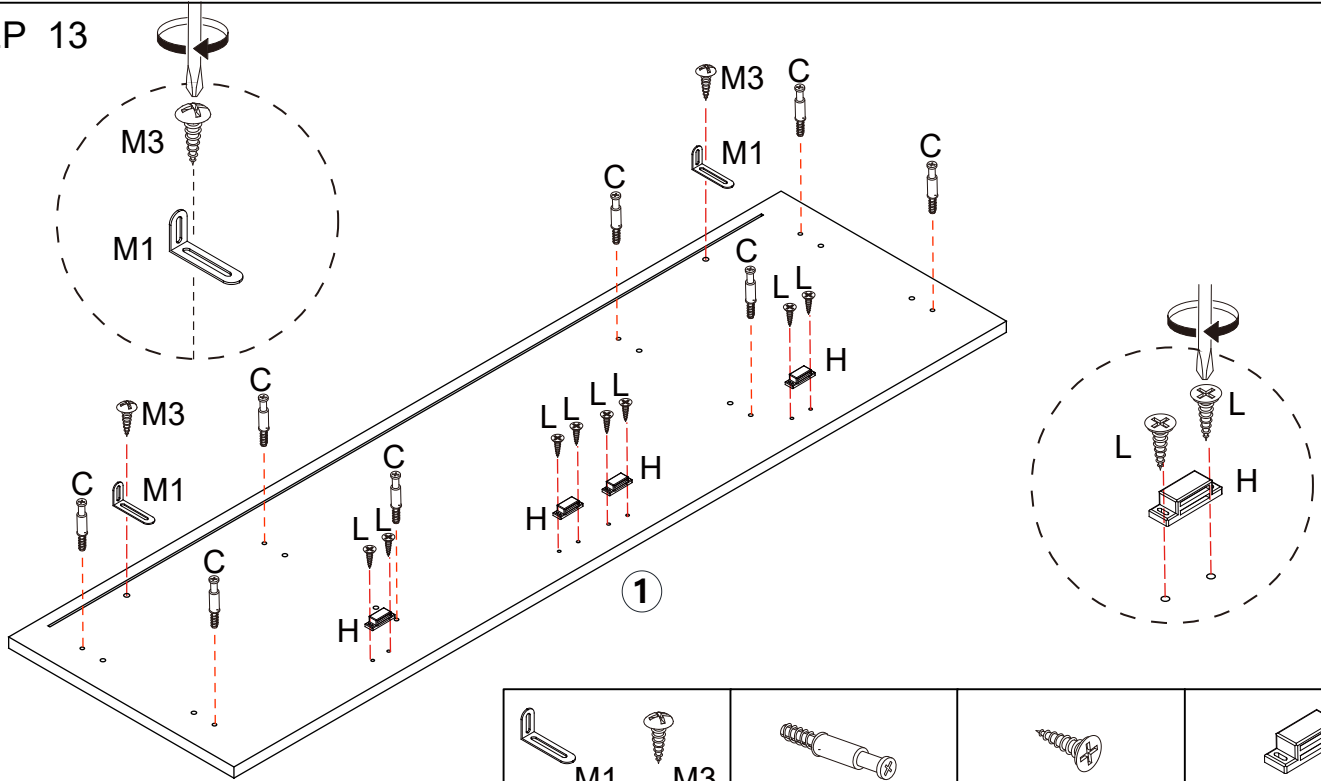




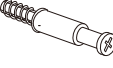


STEP 12



Assembly Instructions

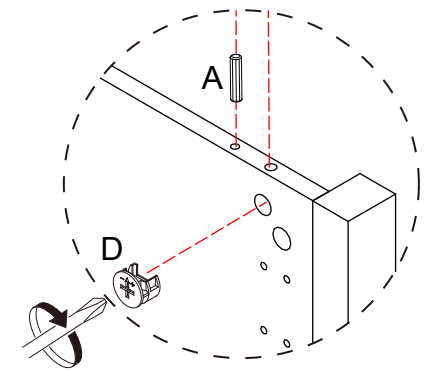
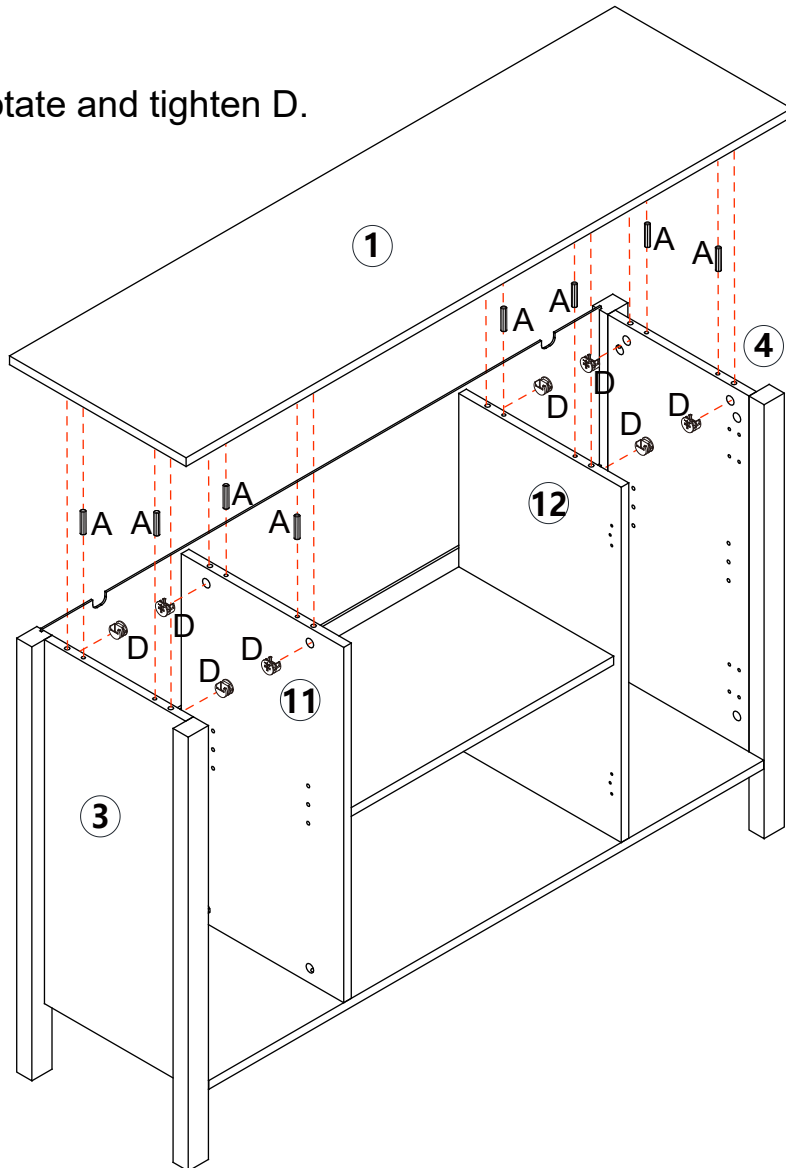
STEP 13



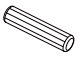

 M1	 M3			
M x2pcs		C x8pcs	L x8pcs	H x4pcs

STEP 14

Need to rotate and tighten D.



Need to rotate and tighten D.

	
A x8pcs	D x8pcs

Assembly Instructions

STEP 15

Installation instruction for Anti-tipping

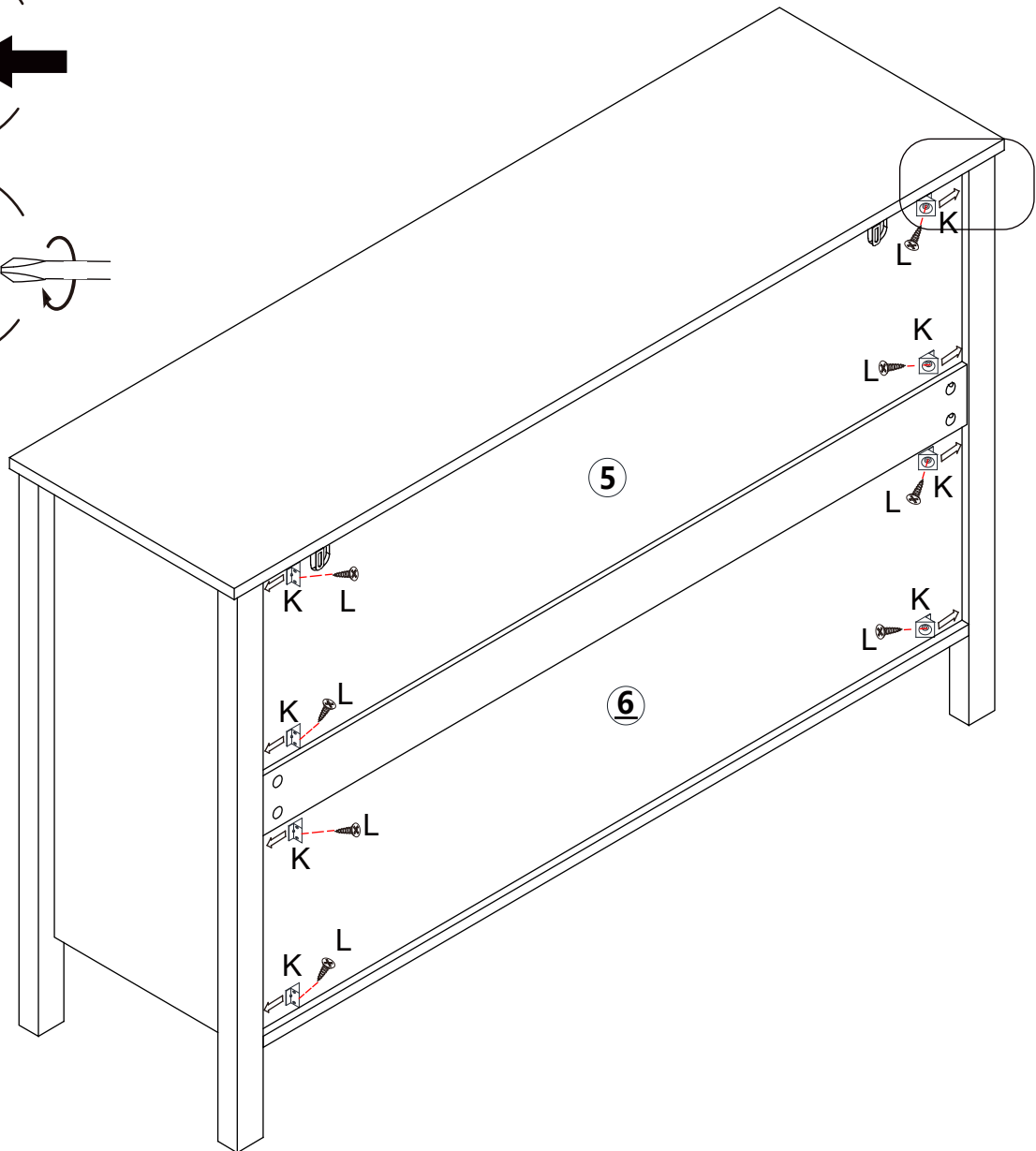
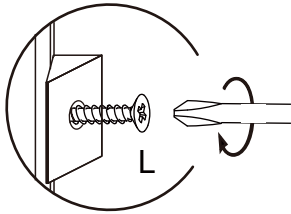
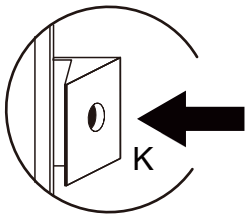
Installationsanleitung zum Kippen



Instructions d'installation du dispositif anti - basculement

Prevent dumping of spare parts

Vermeidung des Dumpings von Ersatzteilen

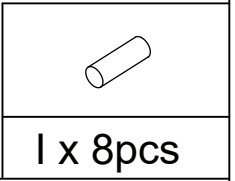
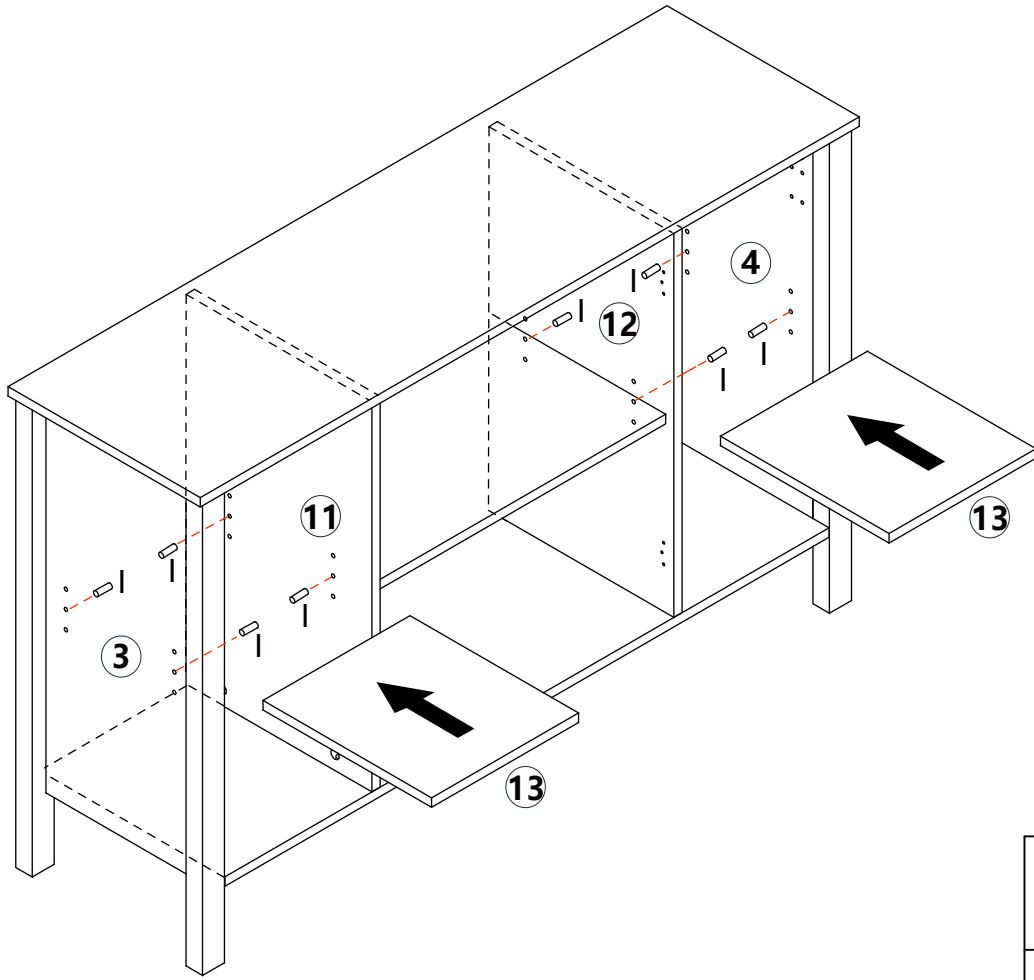
Prévention du déversement de pièces détachées



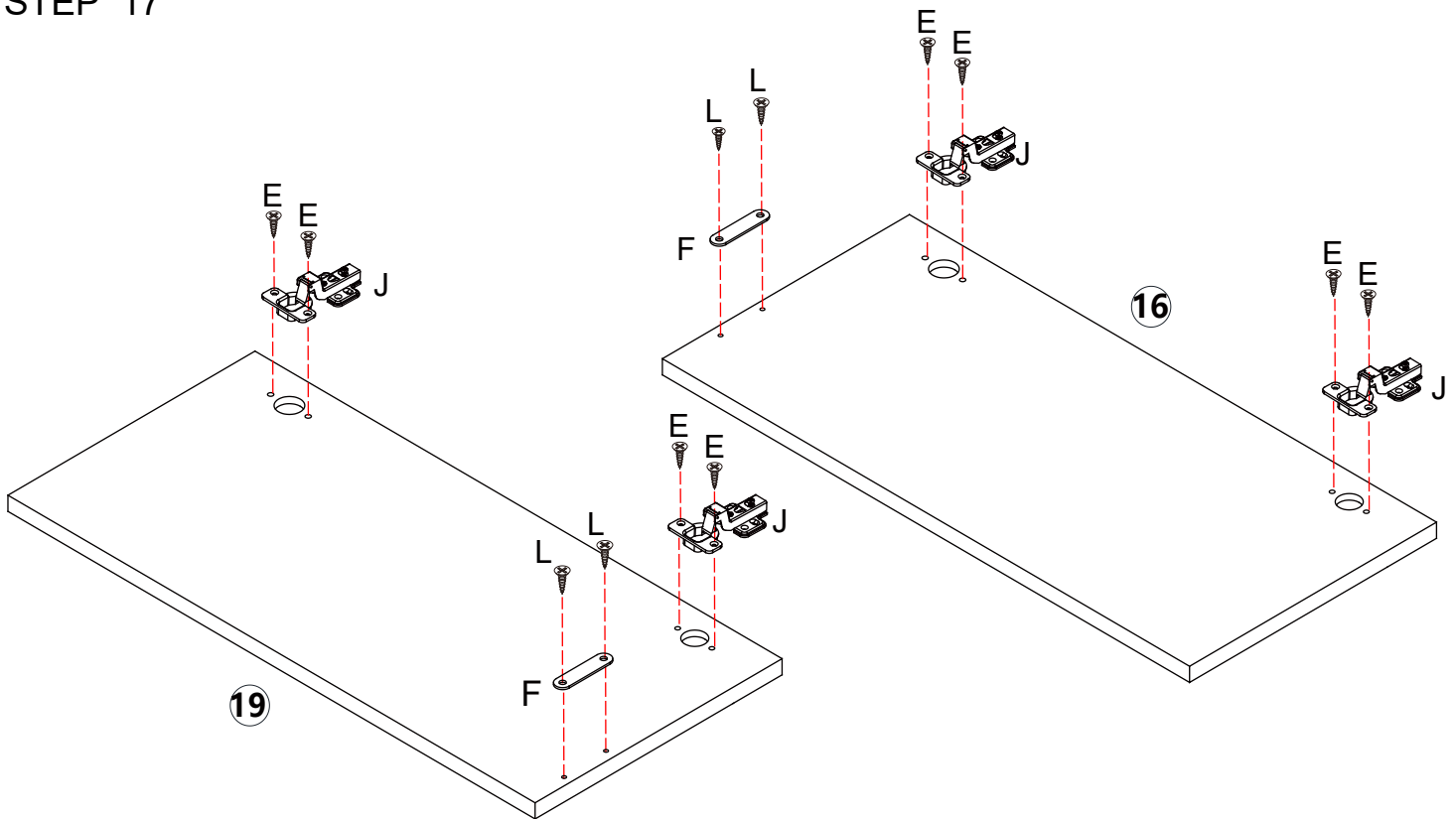
	
K x8pcs	L x8pcs


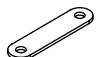


Assembly Instructions

STEP 16



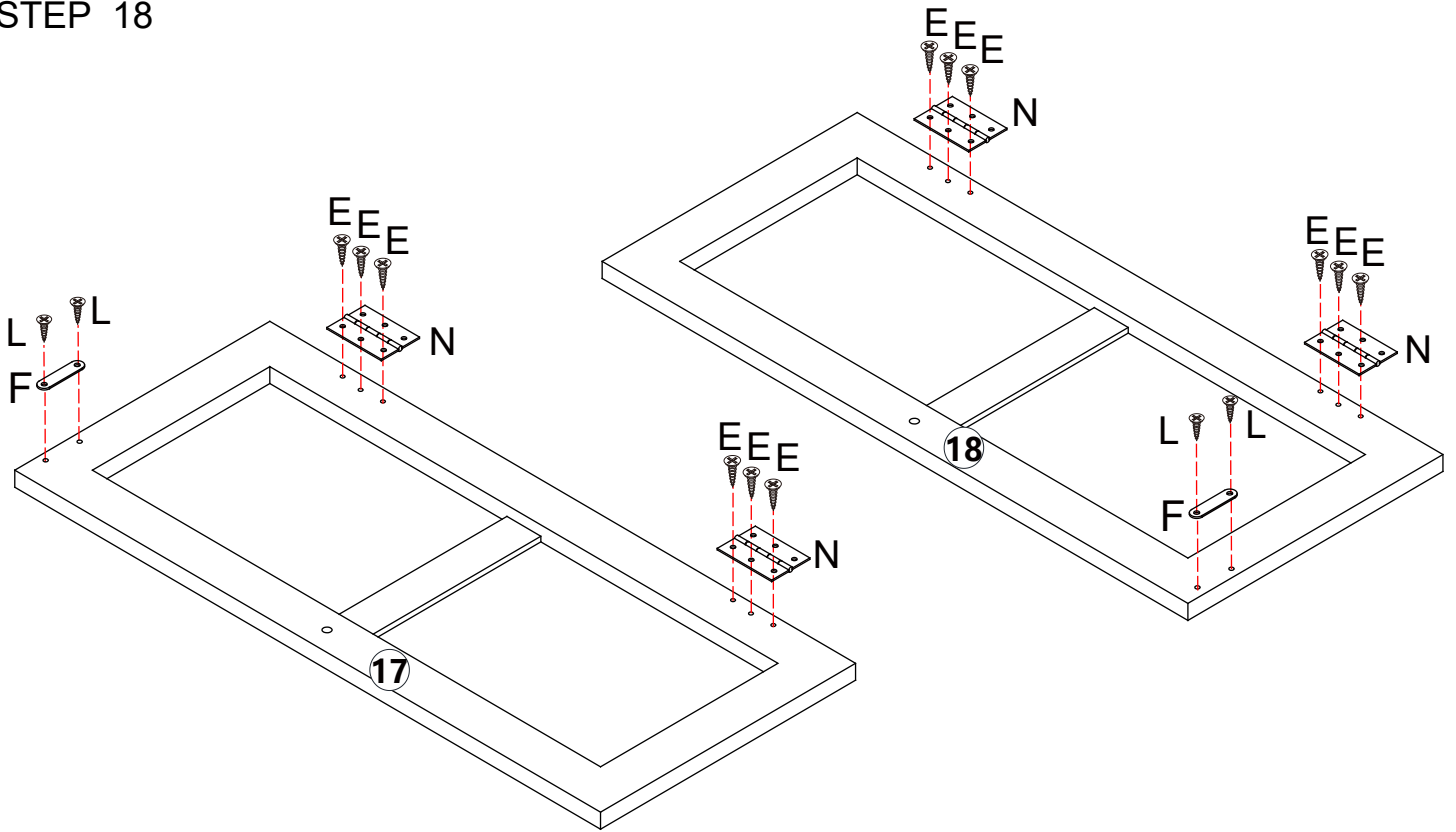
STEP 17







			
L x4pcs	F x2pcs	J x4pcs	E x8pcs

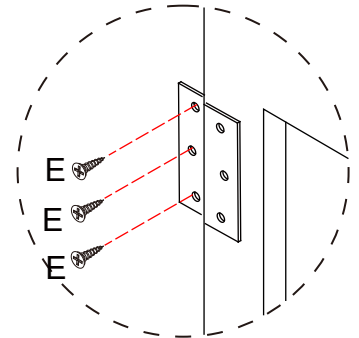
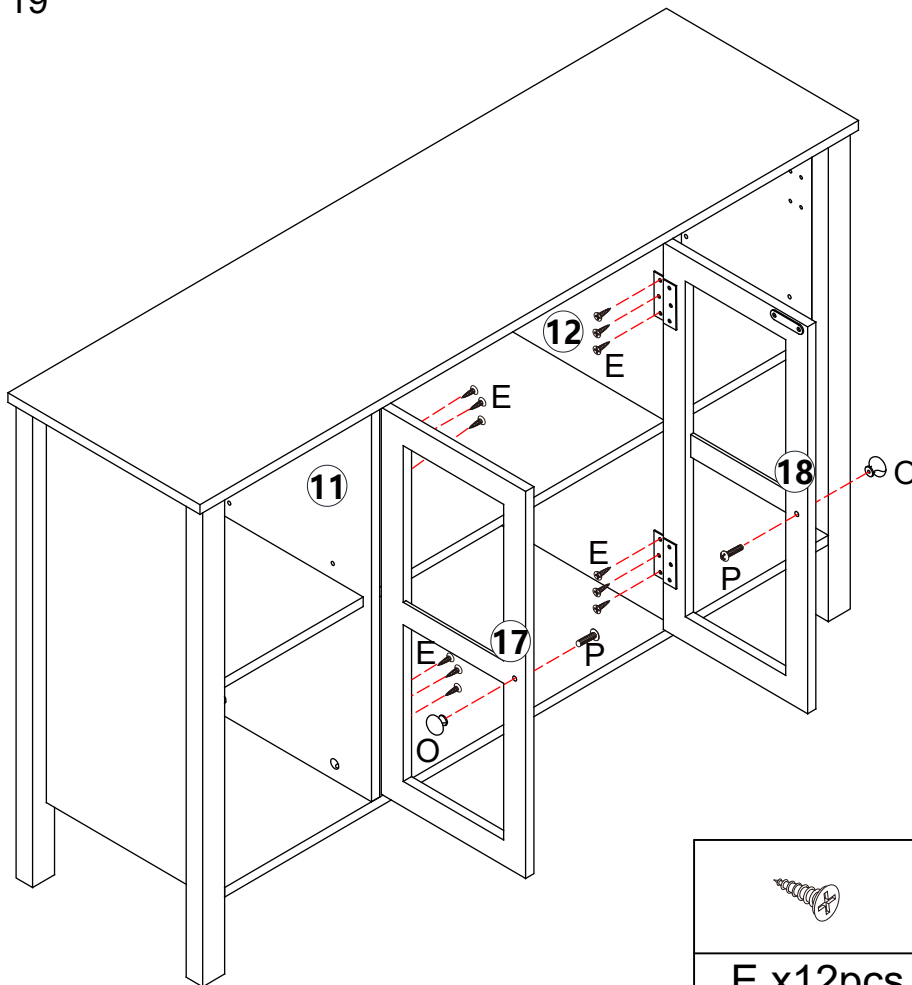
Assembly Instructions




STEP 18



			
L x4pcs	F x2pcs	N x4pcs	E x12pcs

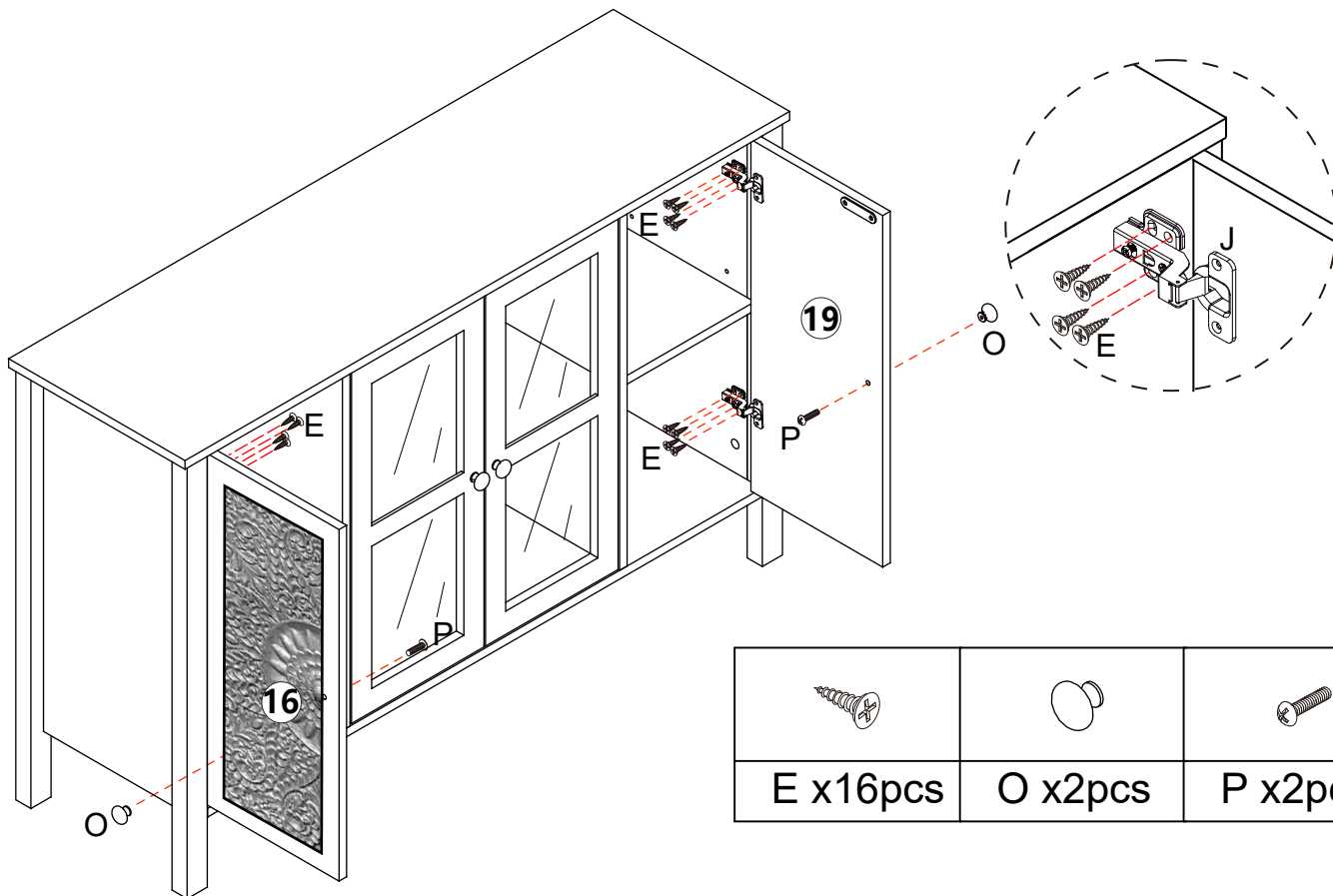
STEP 19






		
E x12pcs	O x2pcs	P x2pcs

Assembly Instructions

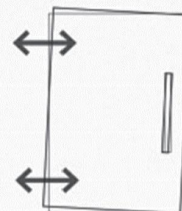
STEP 20



		
E x16pcs	O x2pcs	P x2pcs

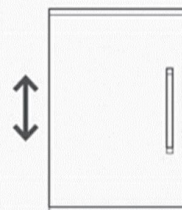
1 Sideways / Tilt adjustment

Turn the screw **clockwise** to move the door further away from the side of the cabinet
anticlockwise to move the door closer to the side of the cabinet



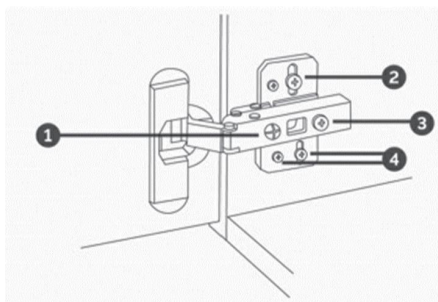
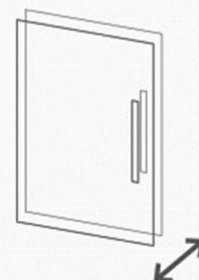
2 4 Height adjustment

While supporting the weight of the door, turn the screws **clockwise** to move the door up
anticlockwise to move the door down



3 Forward and back adjustment

If the gap between the back of the door and the cabinet is too small, and the door may not close fully. Turn the screw **clockwise** to decrease the gap between the door and the cabinet
anticlockwise to increase the gap between the door and the cabinet



Assembly Instructions

STEP 21

DE: ACHTUNG: Zur Sicherheit und Stabilität empfehlen wir Ihnen, die Kippsicherungszubehör an der Wand zu befestigen, um ein Umkippen, Verletzungen und Sachschäden zu verhindern.

UK: ATTENTION: For safety and stability, we suggest you have to secure the anti tip accessories to the wall to prevent tipping, injury, and property damage.

FR: ATTENTION : Pour la sécurité et la stabilité, nous vous recommandons de fixer les accessoires anti-basculement au mur afin d'éviter tout renversement, blessure et dommage matériel.

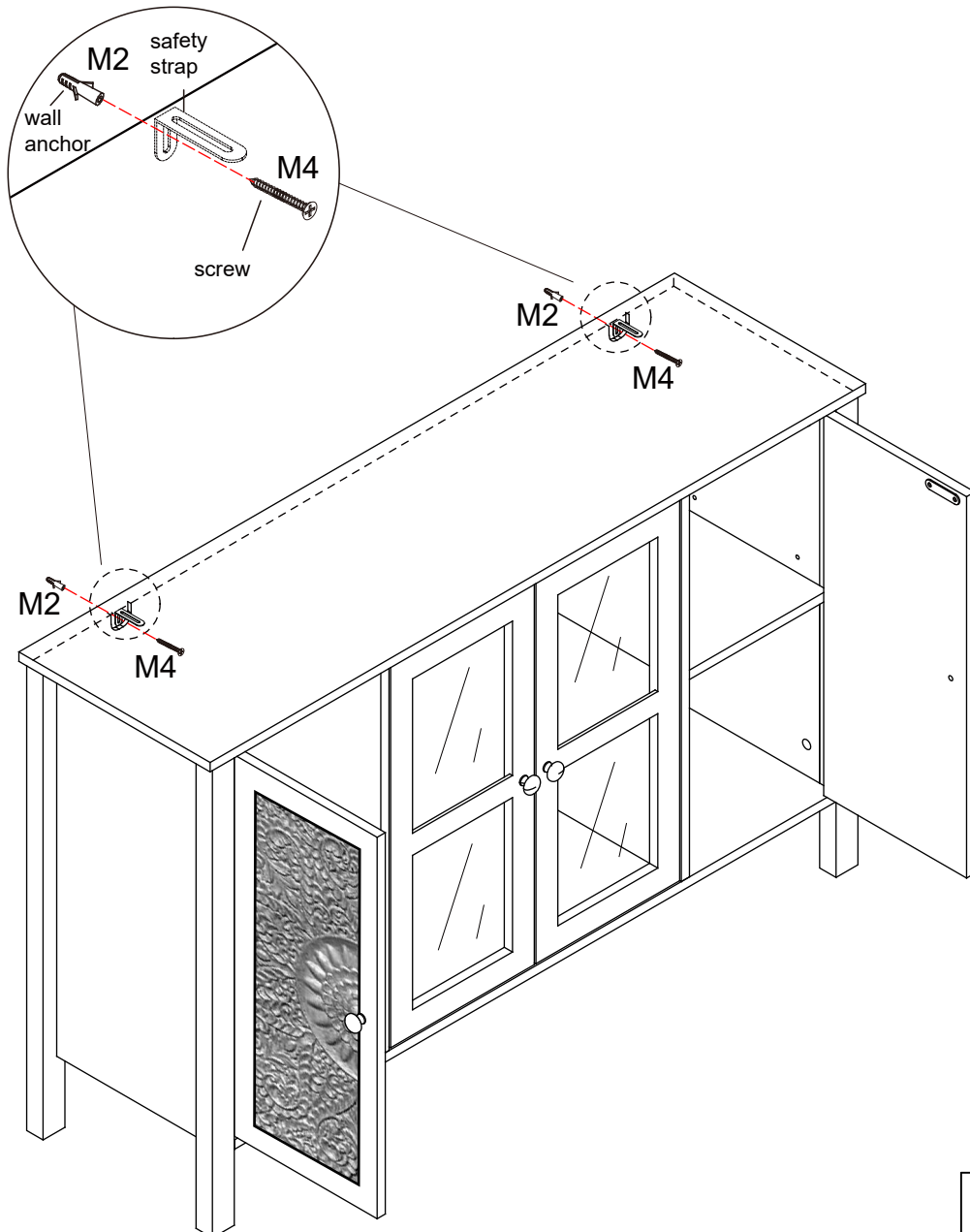
IT: ATTENZIONE: Per garantire sicurezza e stabilità, ti consigliamo di fissare gli accessori di sicurezza contro il ribaltamento alla parete, per prevenire ribaltamenti, lesioni e danni materiali.

ES: ATENCIÓN: Para garantizar seguridad y estabilidad, le recomendamos que fije los accesorios de seguridad contra el vuelco a la pared para prevenir vuelcos, lesiones y daños materiales.

NL: LET OP: Voor veiligheid en stabiliteit raden wij aan om de anti-kantelaccessoires aan de muur te bevestigen om kantelen, letsel en schade aan eigendommen te voorkomen.

SE: OBS: För säkerhet och stabilitet rekommenderar vi att du fäster anti-tipp-tillbehören på väggen för att förhindra att de tippar, skador och egendomsskador.

PL: UWAGA: Dla bezpieczeństwa i stabilności zalecamy przymocowanie akcesoriów antyprzewrócenia do ściany, aby zapobiec przewróceniu, urazom i uszkodzeniu mienia.



M2

M4

M x2pcs