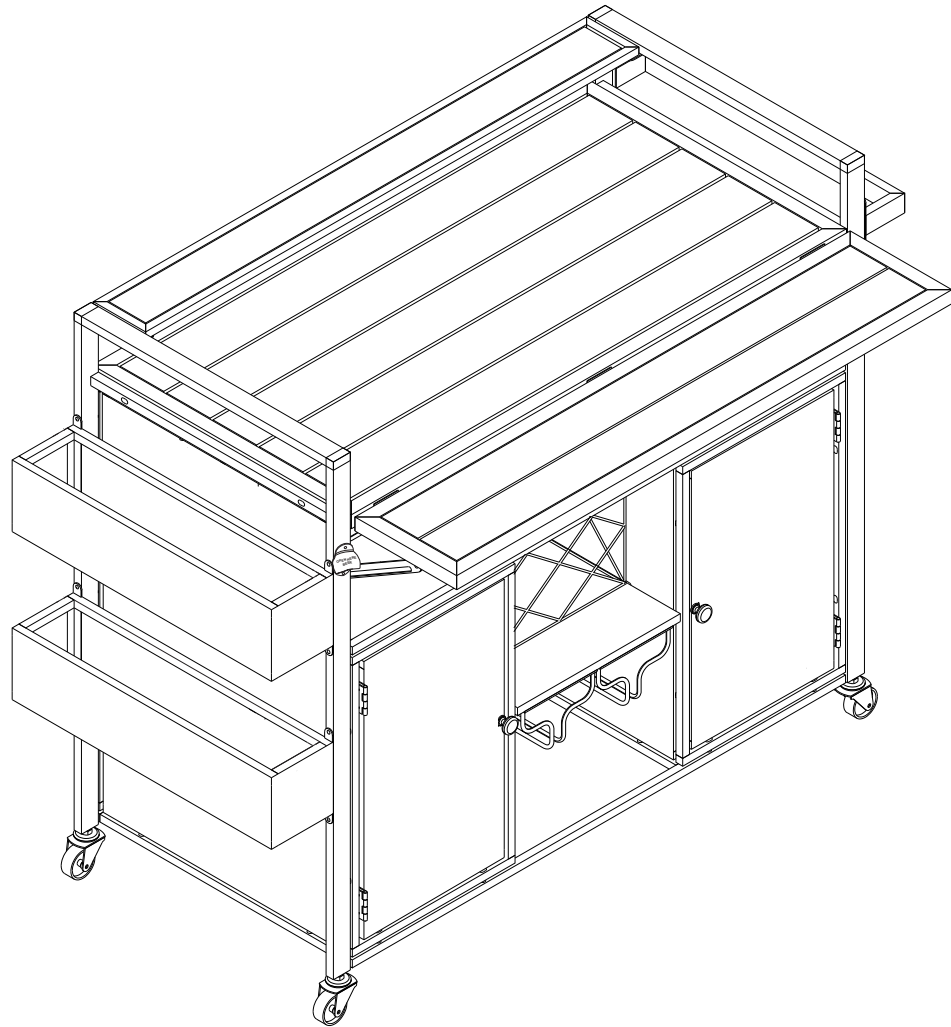


## ASSEMBLY INSTRUCTION

# OUTDOOR WICKER CART














### Notice:

1. 50% Tighten before fixing all screws, Allen wrench is recommended instead of an electric drill.
2. Place the item on a flat ground to adjust and make sure it remains stable.
3. Tighten up all screws with tools gradually.
4. If the screws are not aligned with holes during assembly, please loosen all the other screws to 50% and continue the assembly process.
5. If the item is not stable, please loosen all the screws, adjust it on a flat ground and tighten up all screws again.
6. Notes: If one or some screws are fully tightened during assembly, chances are the others will not be aligned with holes. In addition, all the holes are designed to be relatively larger to provide more space for the adjustment of the screws.

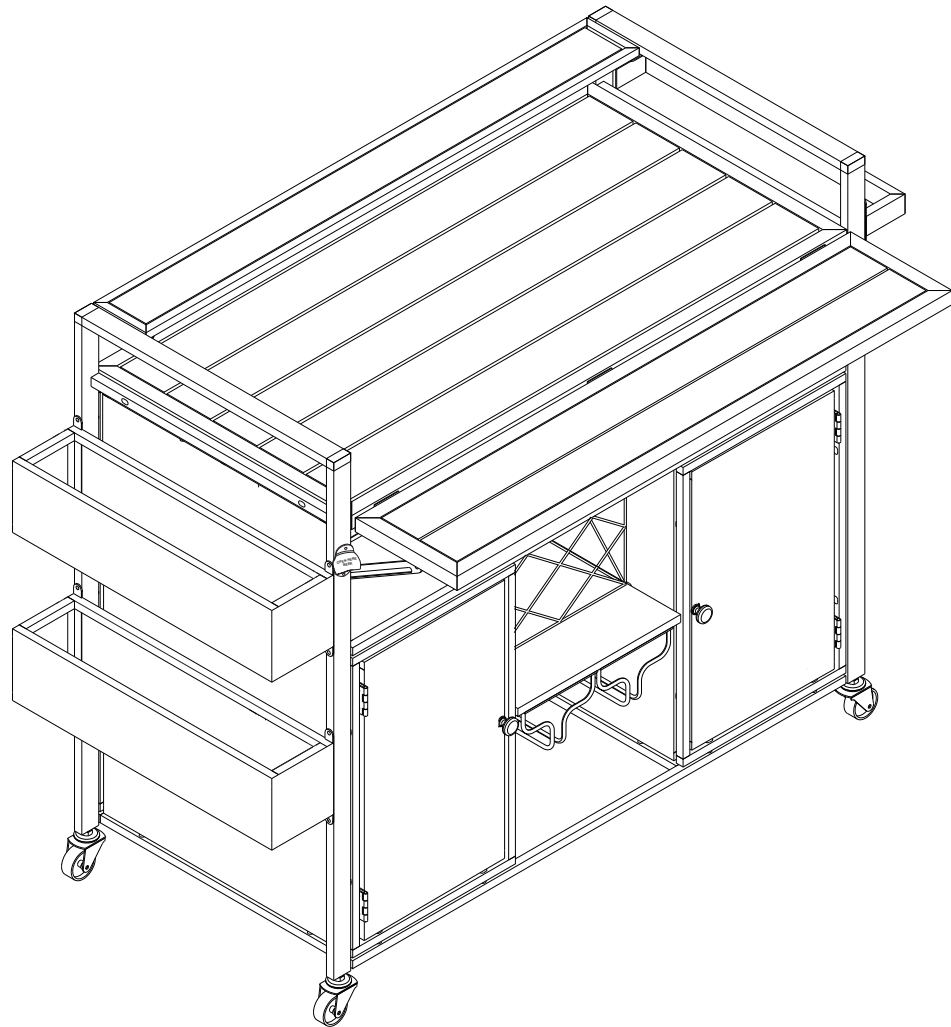
# ASSEMBLY INSTRUCTION

**Caution : You must read this before you proceed**

## Care & Maintenance

- ⊘  ● Not for commercial use. For residential use only.
- ⊘  ● Prolonged exposure to rain may cause rusting which can stain floors.
- ⊘  ● Do not put hot items directly on furniture surface.
- ⊘  ● Do not clean furniture with harsh cleansers or polish.
- ✓  ● To obtain the longest lifespan of your outdoor products, minimizing exposure to direct sunlight is recommended.
- ⊘  ● Children should not climb or jump on the furniture.
- ⊘  ● Do not write on furniture without a padded barrier to protect the surface.
- ✓  ● To obtain the longest lifespan of your outdoor products, avoid extended and lengthy exposure to rain, snow, and direct sunshine. Whenever possible cover the product and /or place under patio or awnings.
- ⊘  ● Stains may be removed with mild soap solution and damp cloth.
- ✓  ● Keep away from sources of ignition.
- ✓  ● Dust and pick-up spills using a clean, non-colored, lint-free cloth.

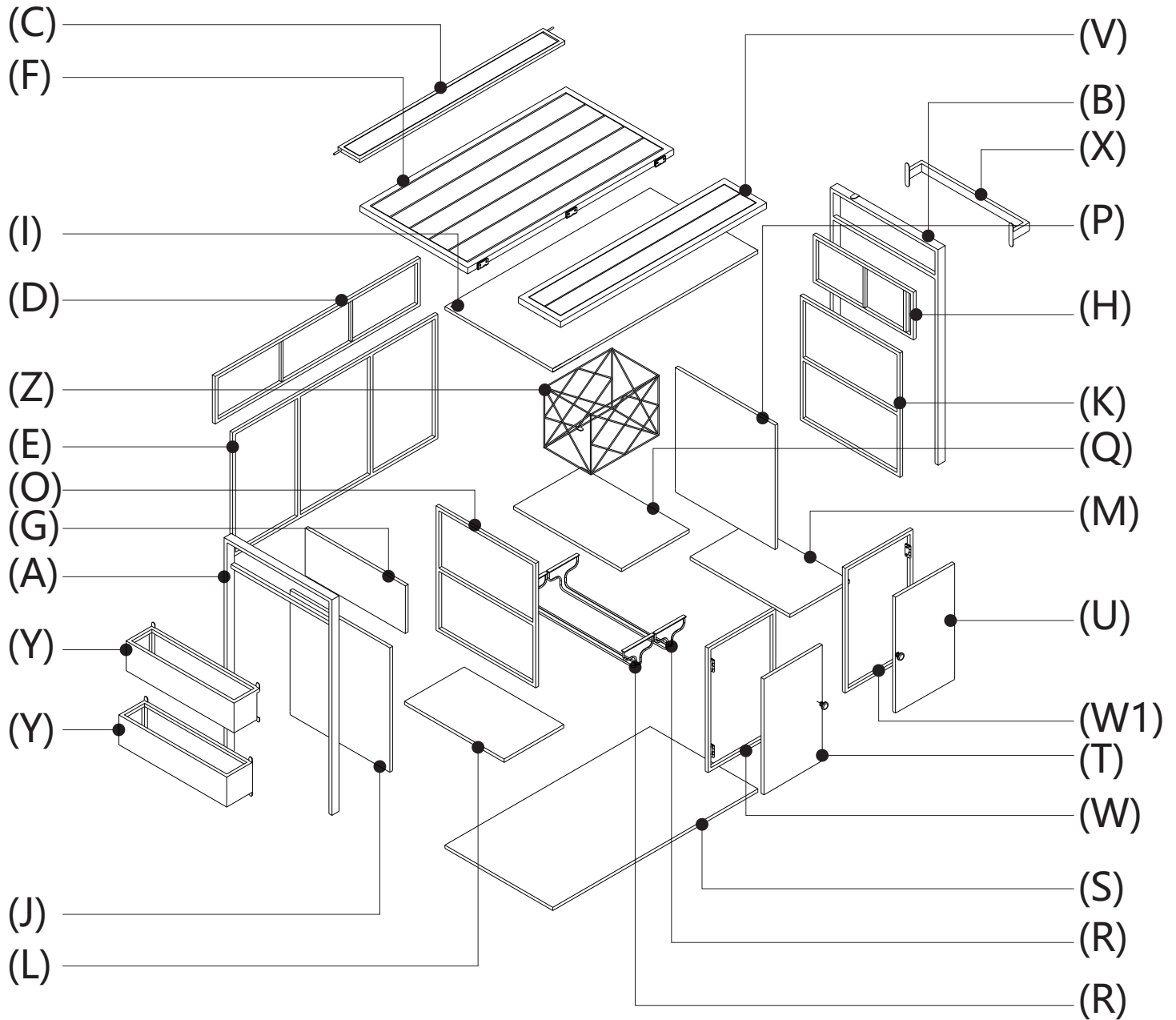
# OUTDOOR WICKER CART



**CAUTION :** This outdoor chaise lounge is NOT a TOY.

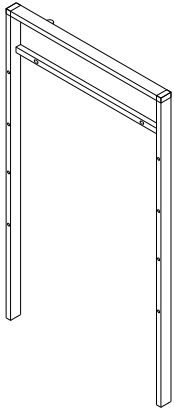
- Keep your child / children at bay in the process of assembly.
- For turning the outdoor chaise lounge and to prevent damage to the outdoor chaise lounge two adults may be needed to execute this action

# EXPLODED VIEW



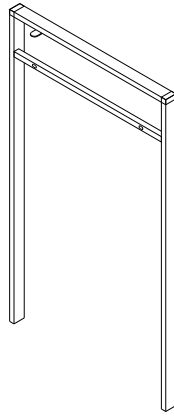
# Part list

(A)



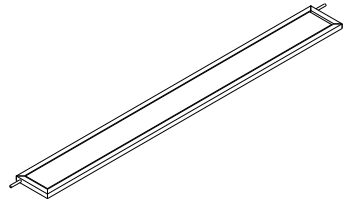
1 pc

(B)



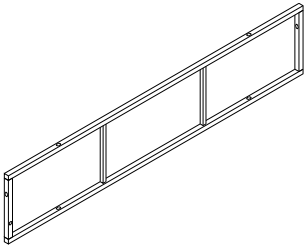
1 pc

(C)



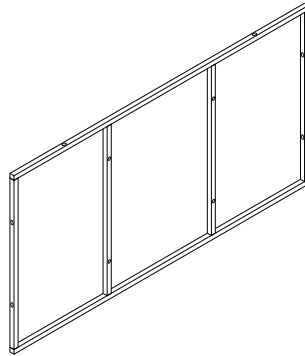
1 pc

(D)



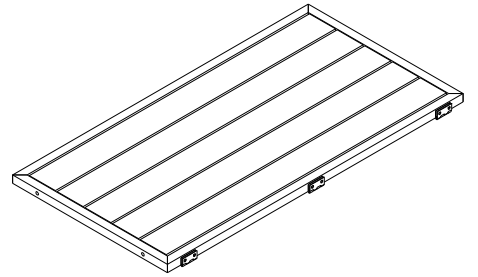
1 pc

(E)



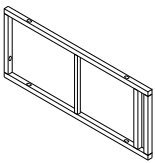
1 pc

(F)



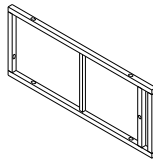
1 pc

(G)



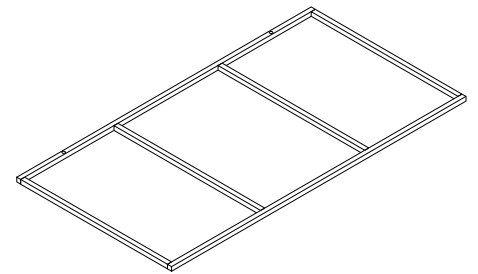
1 pc

(H)



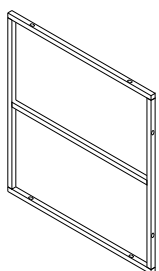
1 pc

(I)



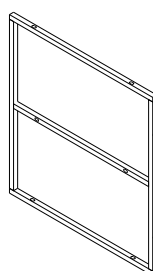
1 pc

(J)



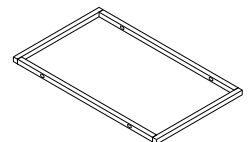
1 pc

(K)



1 pc

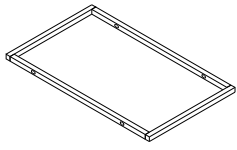
(L)



1 pc

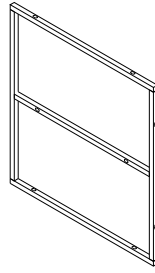
# Part list

(M)



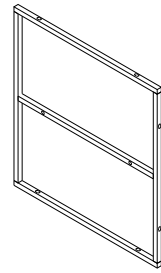
1 pc

(O)



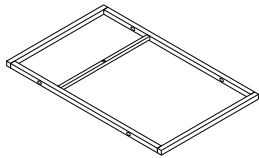
1 pc

(P)



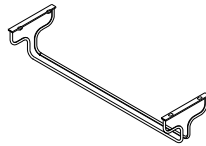
1 pc

(Q)



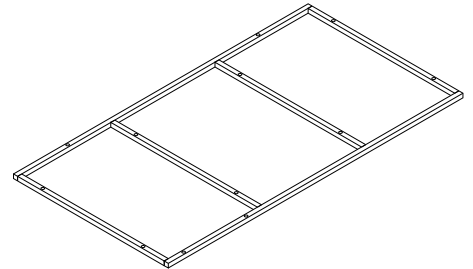
1 pc

(R)



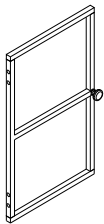
2 pcs

(S)



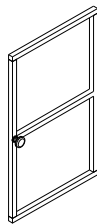
1 pc

(T)



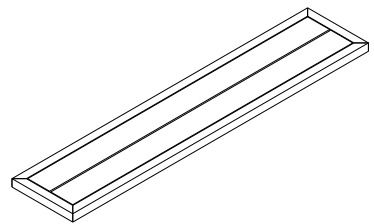
1 pc

(U)



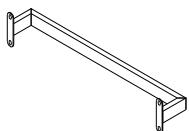
1 pc

(V)



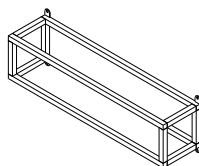
1 pc

(X)



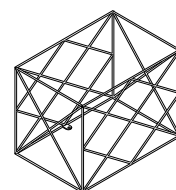
1 pc

(Y)



2 pcs

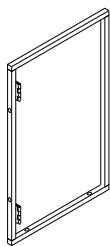
(Z)



1 pc

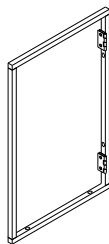
# Part list

(W)



1 pc

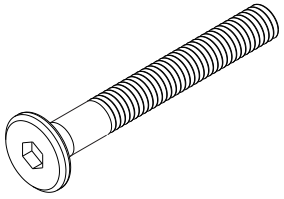
(W1)



1 pc

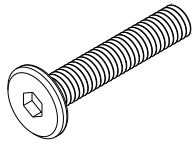
# Hardware

①



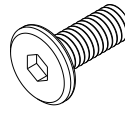
**Bolt M6x75mm (10 pcs)  
+2 pcs (Extra)**

②



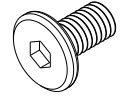
**Bolt M6x35mm (60 pcs)  
+2 pcs (Extra)**

③



**Bolt M6x20mm (4 pcs)  
+1 pc (Extra)**

④



**Bolt M6x15mm (36 pcs)  
+2 pcs (Extra)**

⑤



**Nut M6 (12 pcs)  
+2 pcs (Extra)**

⑥



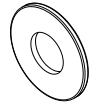
**2 pcs**

⑦



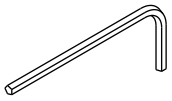
**1 pc**

⑧



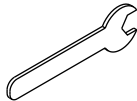
**Washer (112 pcs)  
+5 pcs (Extra)**

⑨



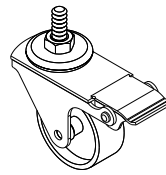
**Allen Key (1 pc)  
+ 1 pc (Extra)**

⑩



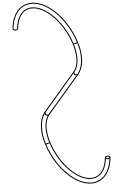
**Wrench (1 pc)**

⑪



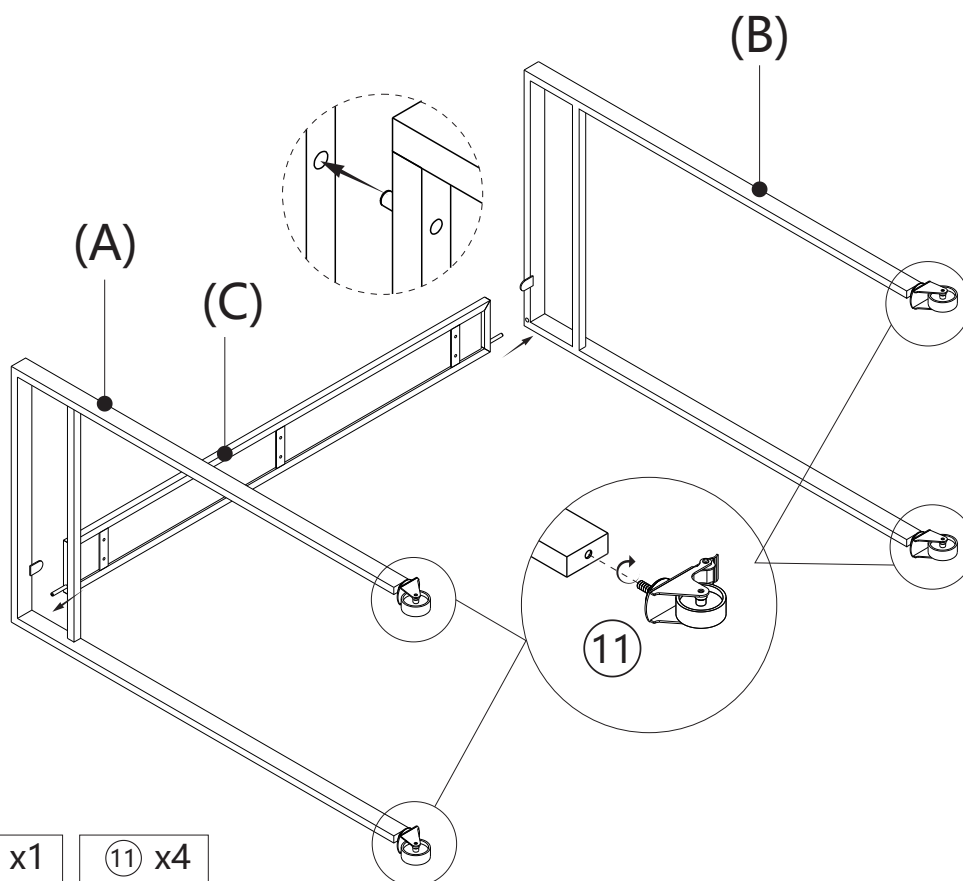
**4 pcs**

⑫



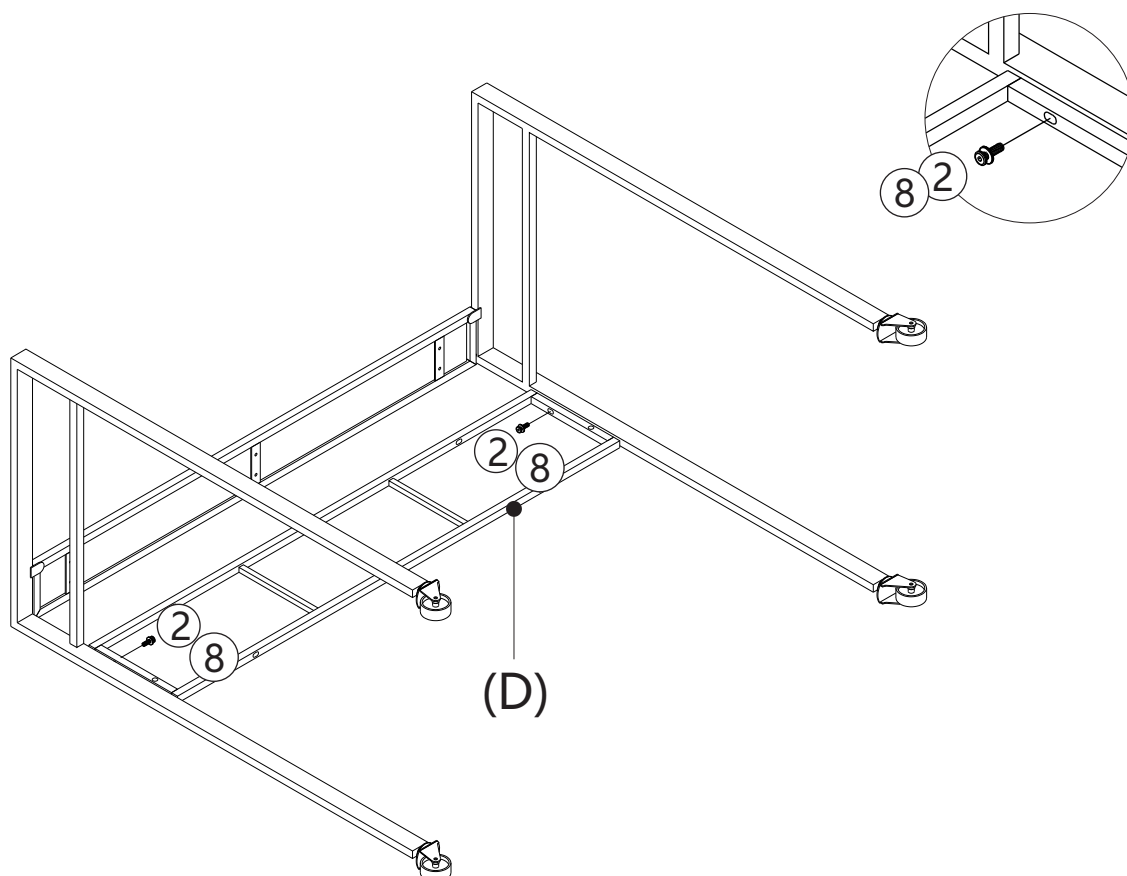
**4 pcs**

**Step 1:** Connect the wheel sets (11) (in the hardware) to the left frame (A) and right frame (B). Insert frame (C) into the left frame (A) and right frame (B).



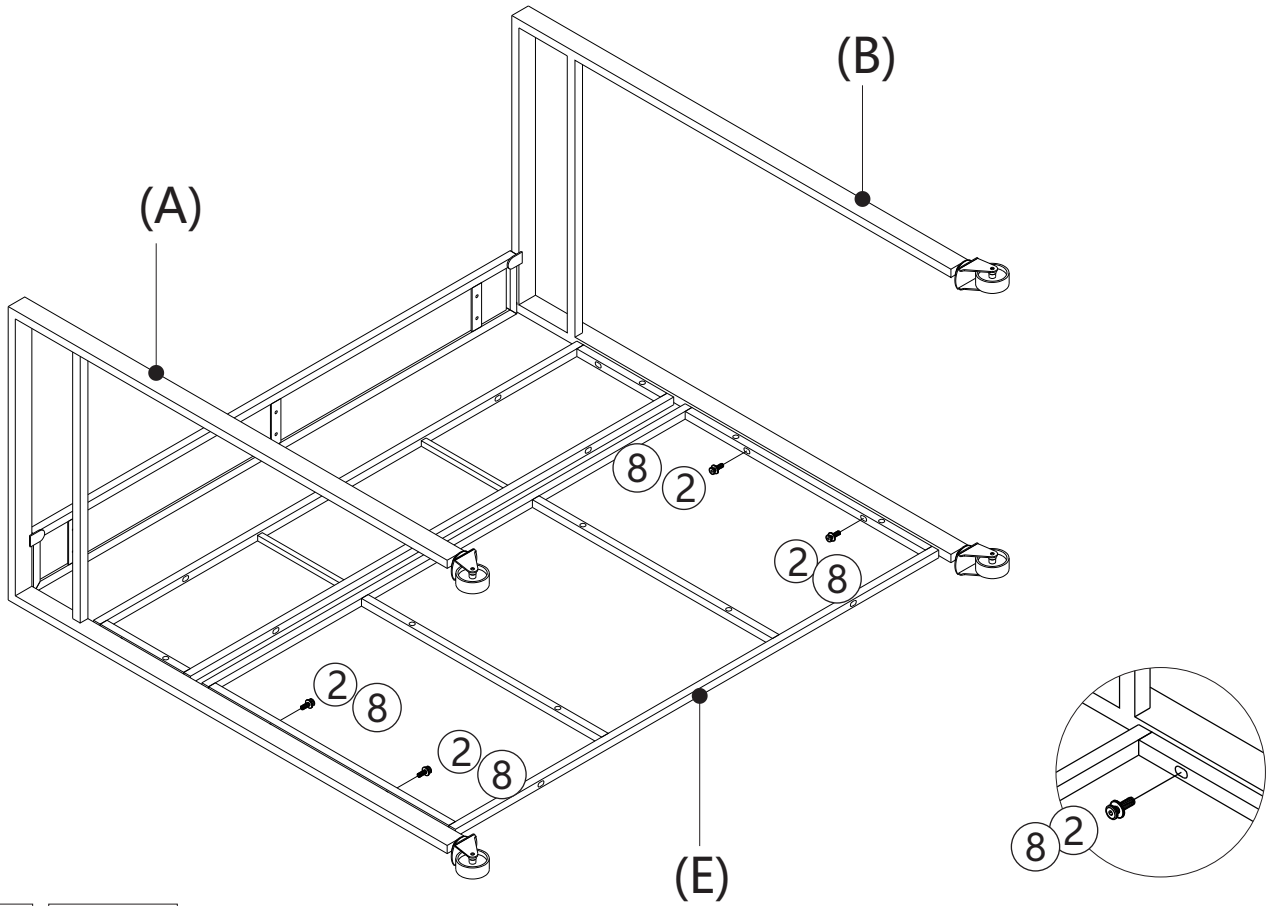
(A) x1   (B) x1   (C) x1   (11) x4

**Step 2:** Connect (D) with (A), (B) by bolt set (2) and (8).



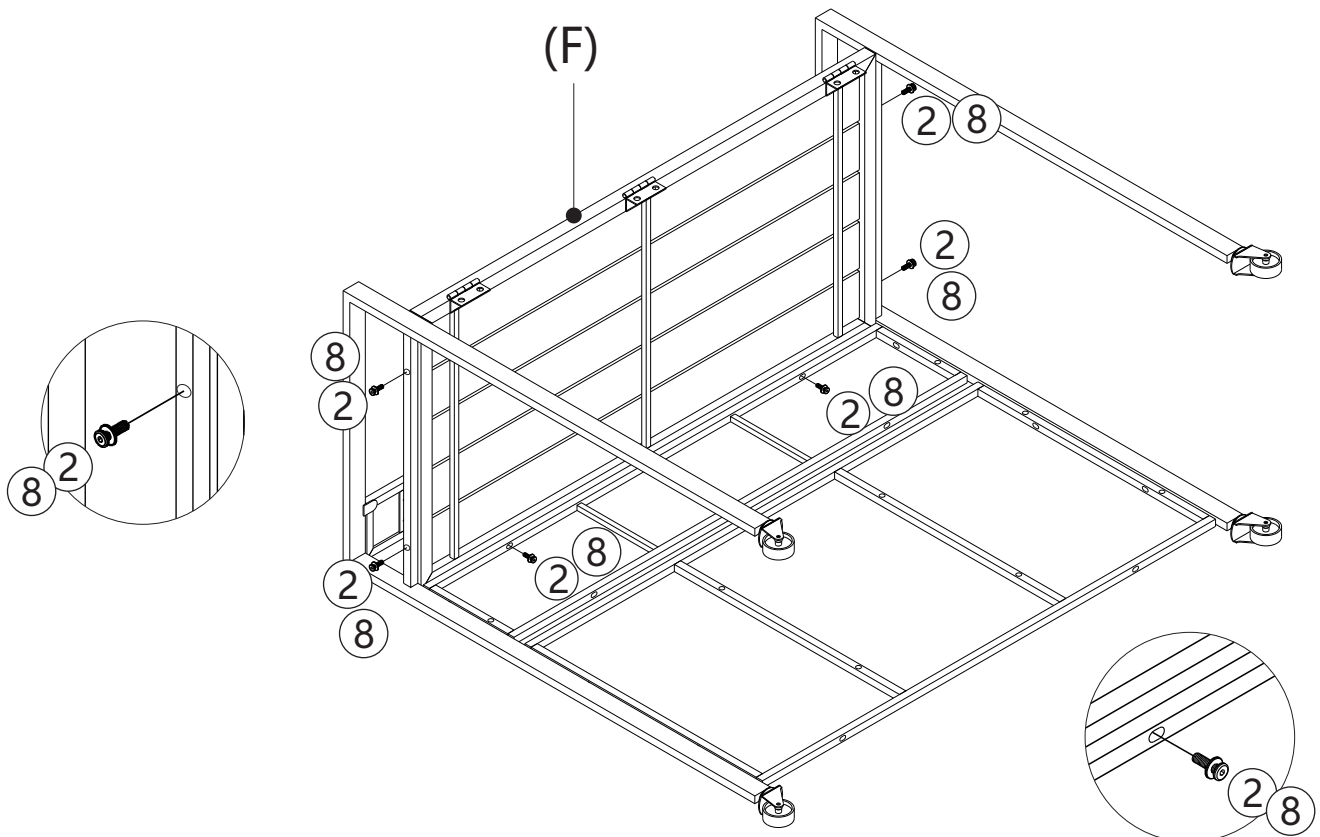
(D) x1   (2) x2   (8) x2

**Step 3:** Connect (E) with (A), (B) by bolt set (2) and (8).



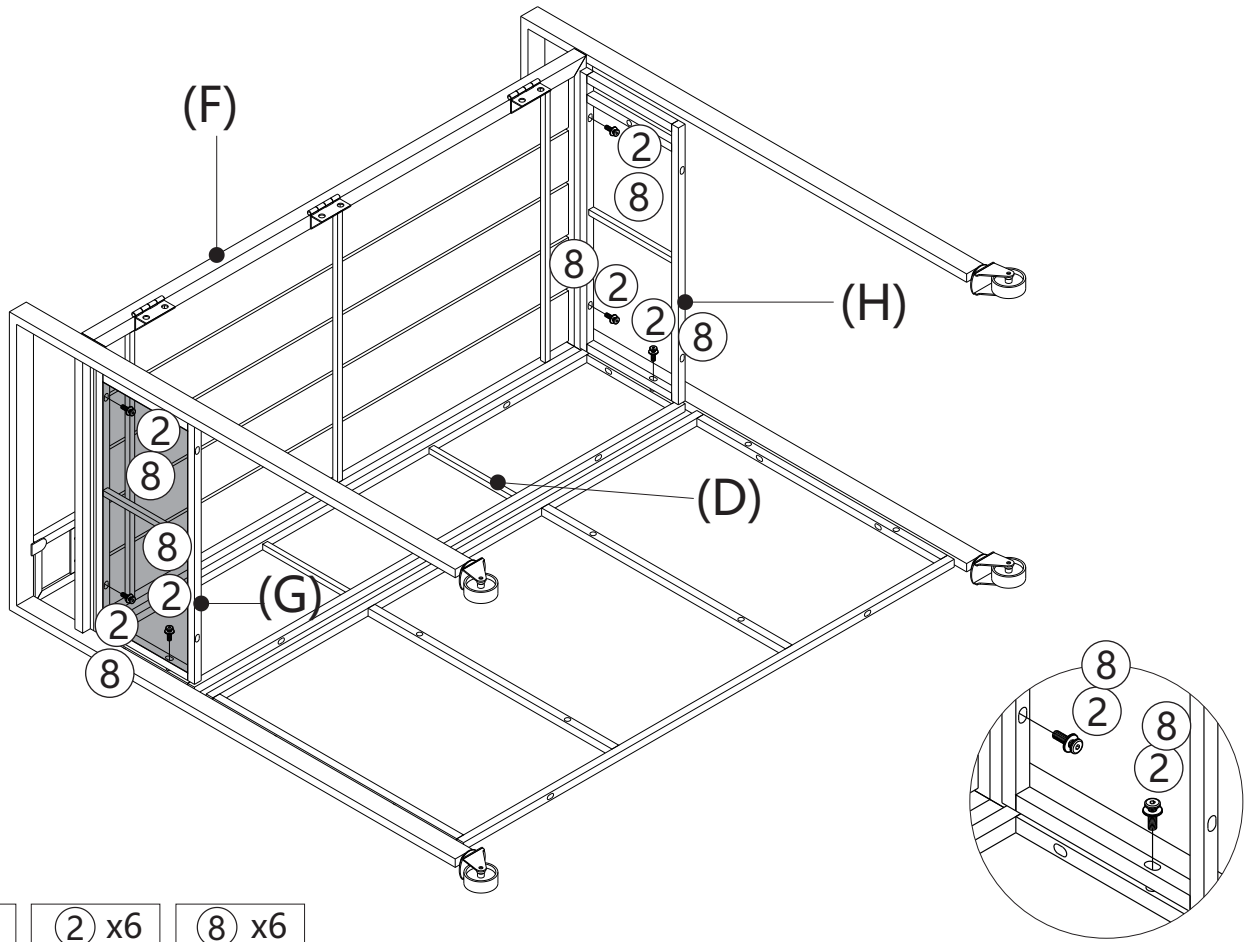
(E) x1   (2) x4   (8) x4

**Step 4:** Connect (F) with (A), (B), (D) by bolt set (2) and (8).



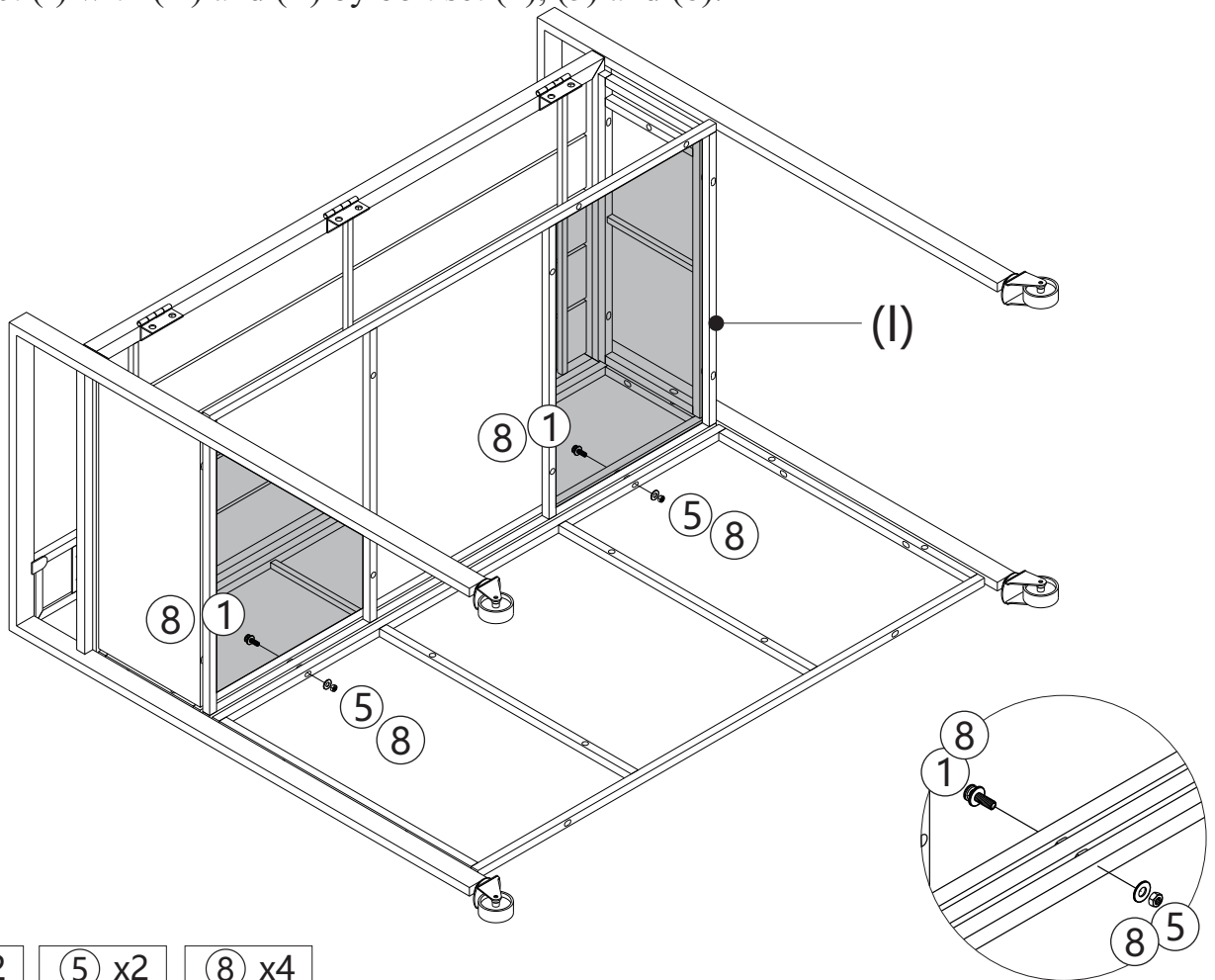
(F) x1   (2) x6   (8) x6

**Step 5:** Connect (G) (on the left) and (H) (on the right) with part (D) and (F) by bolt set (2) and (8).



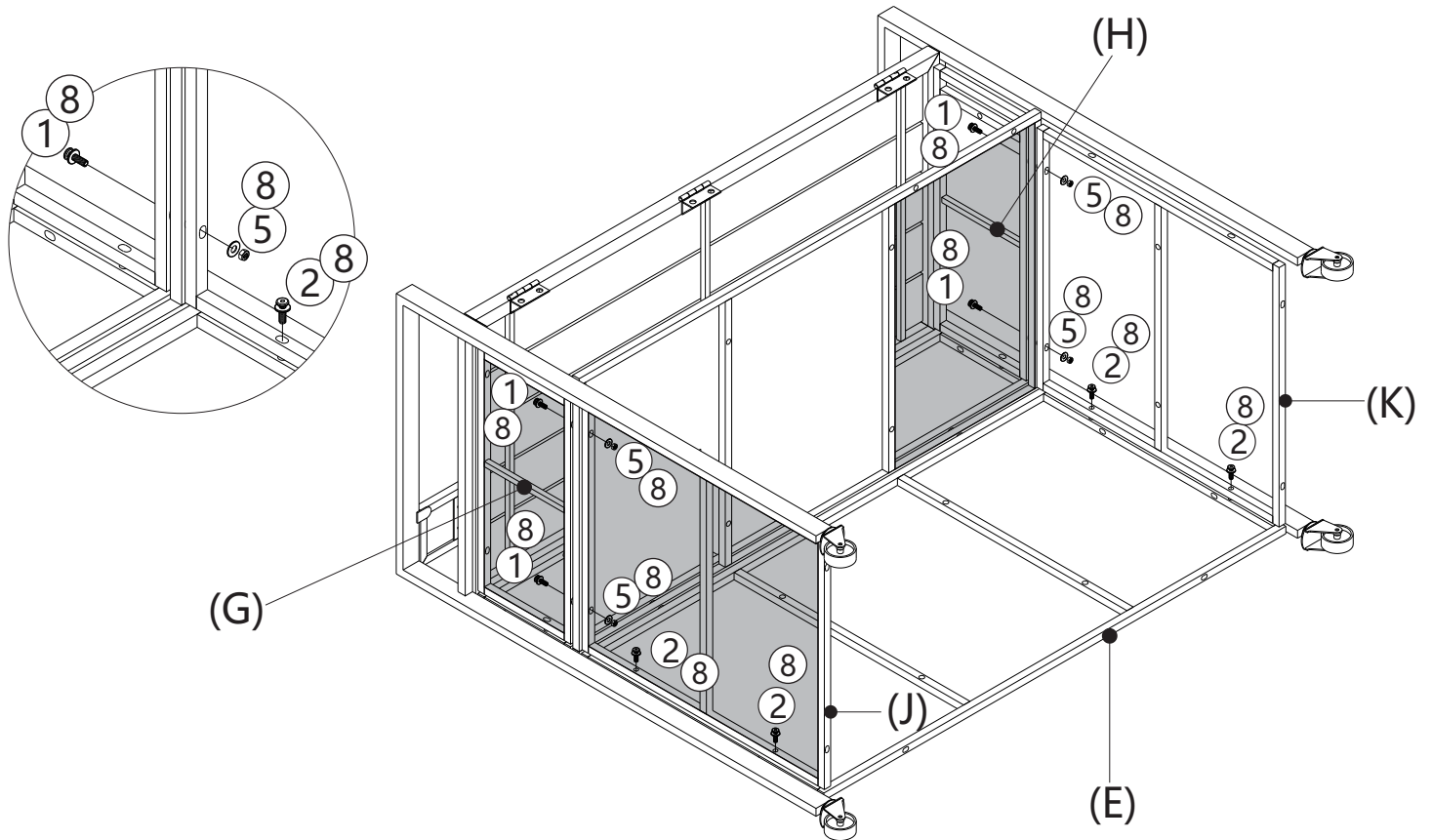
(G) x1   (H) x1   (2) x6   (8) x6

**Step 6:** Connect (I) with (D) and (E) by bolt set (1), (5) and (8).



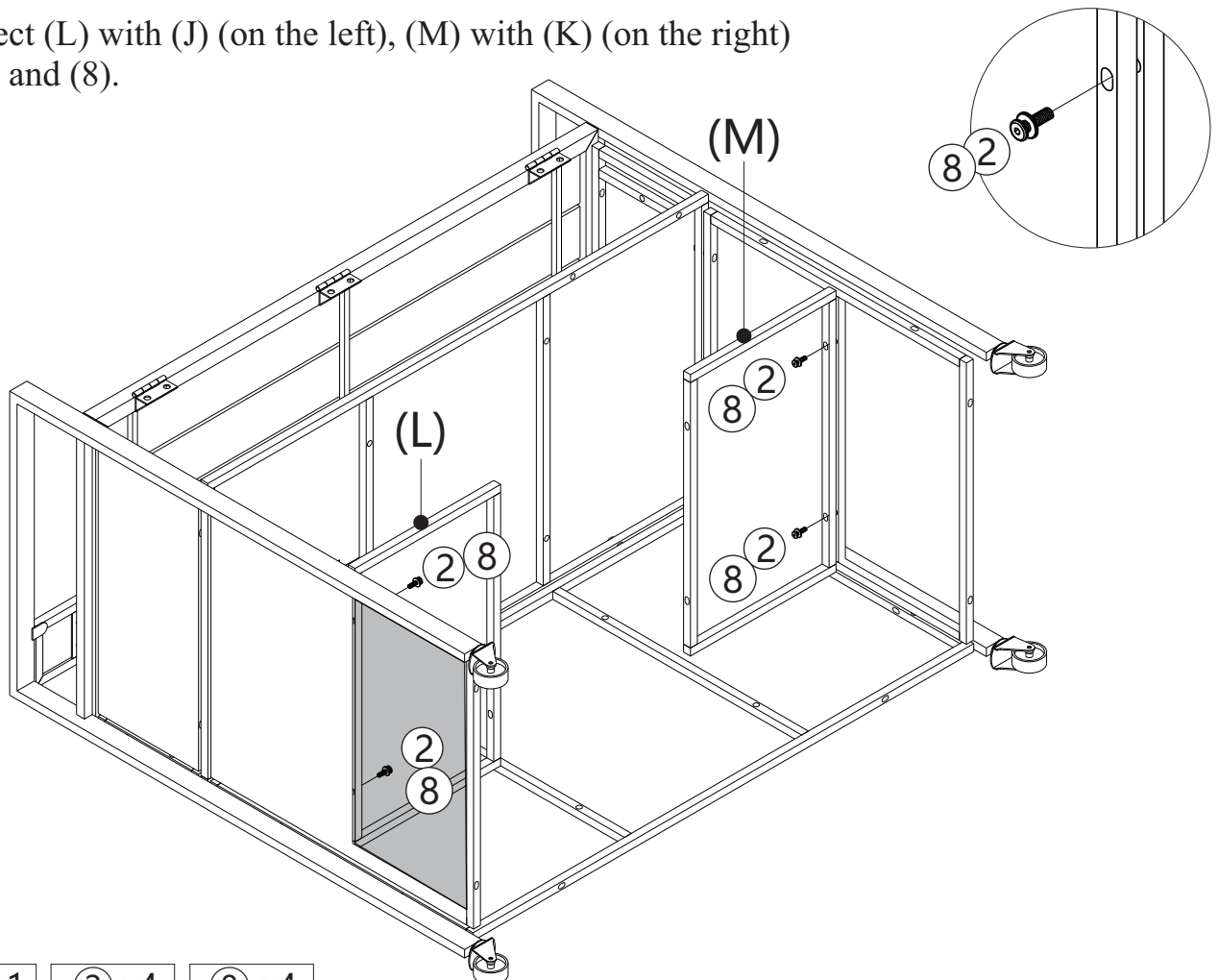
(I) x1   (1) x2   (5) x2   (8) x4

**Step 7:** Connect (J) (on the left) with (E) by bolt set (2), (8), with (G) by bolt (1), (5) and (8). Connect (K) (on the right) with (E) by bolt set (2), (8), with (H) by bolt (1), (5) and (8).



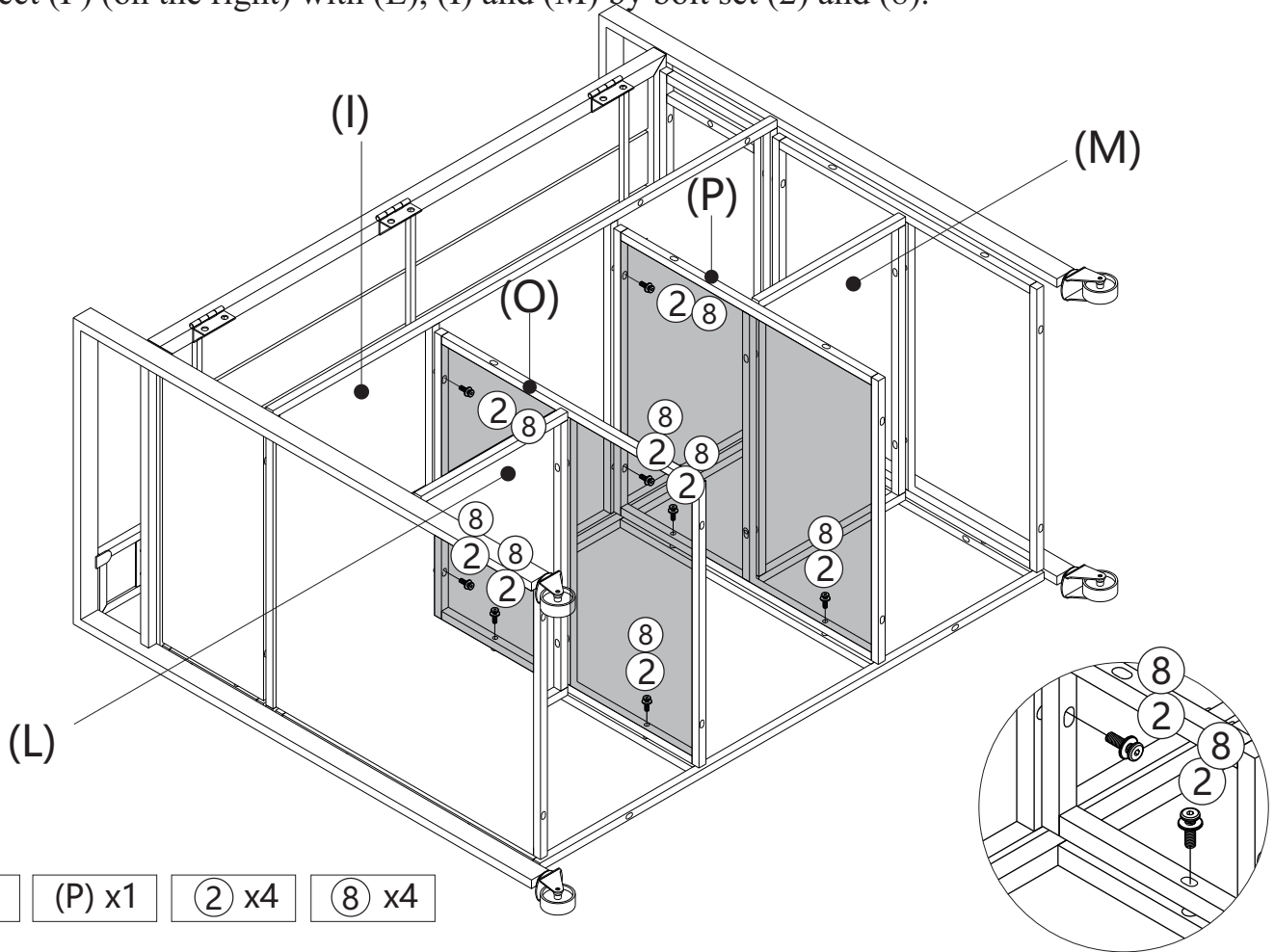
- |        |        |        |        |        |         |
|--------|--------|--------|--------|--------|---------|
| (J) x1 | (K) x1 | (1) x4 | (2) x4 | (5) x4 | (8) x12 |
|--------|--------|--------|--------|--------|---------|

**Step 8:** Connect (L) with (J) (on the left), (M) with (K) (on the right) by bolt set (2) and (8).



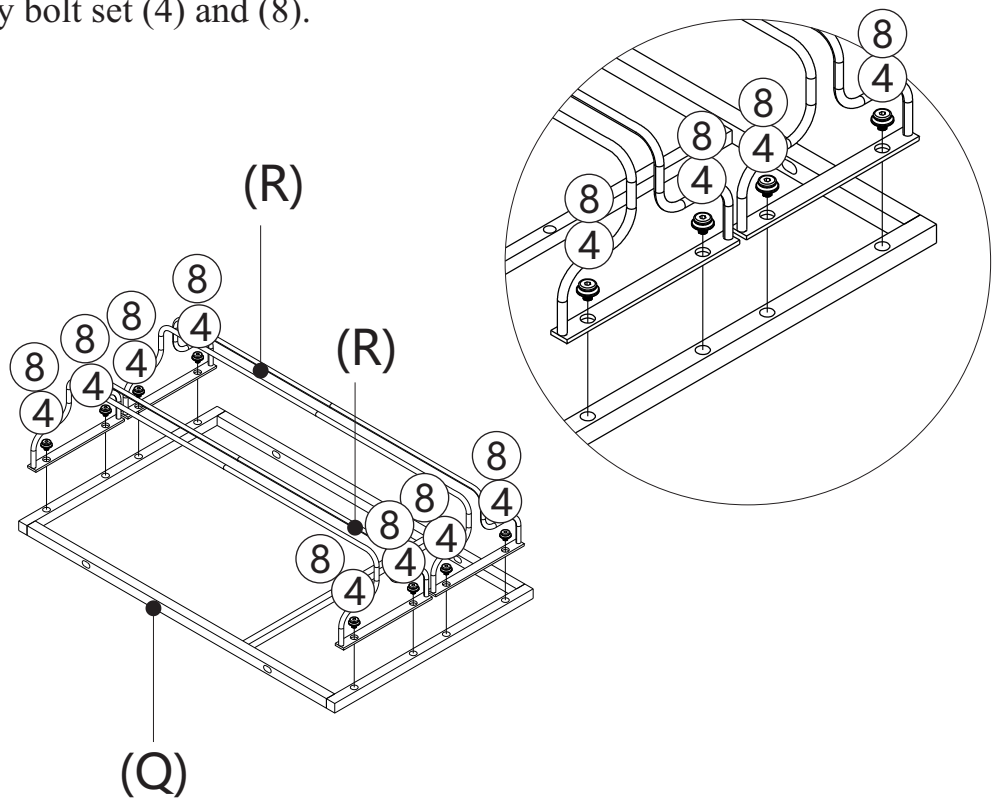
- |        |        |        |        |
|--------|--------|--------|--------|
| (L) x1 | (M) x1 | (2) x4 | (8) x4 |
|--------|--------|--------|--------|

**Step 9:** Connect (O) (on the left) with (E), (I) and (L) by bolt set (2) and (8).  
 Connect (P) (on the right) with (E), (I) and (M) by bolt set (2) and (8).



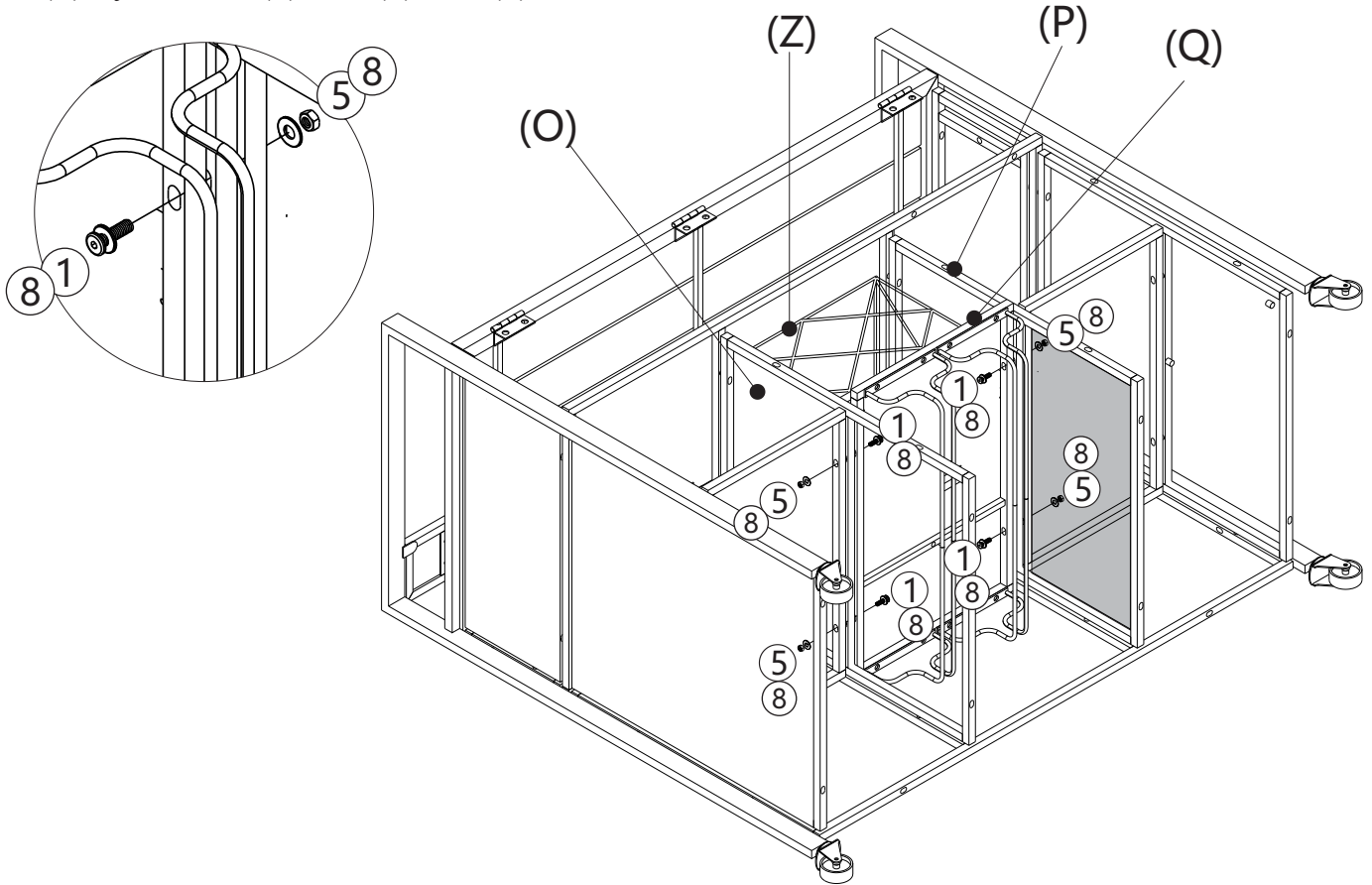
- (O) x1
- (P) x1
- (2) x4
- (8) x4

**Step 10:** Connect (Q) with (R) by bolt set (4) and (8).



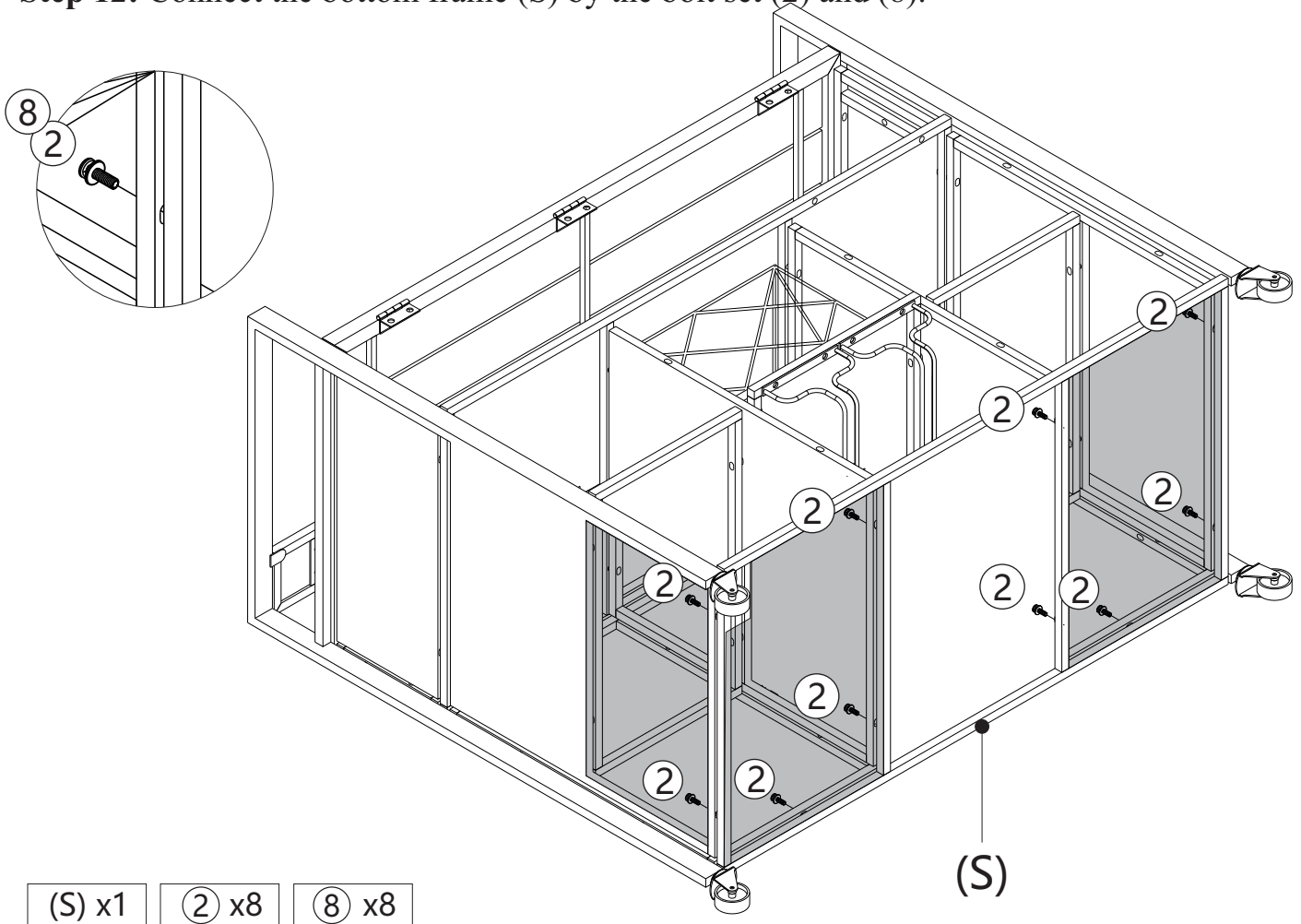
- (Q) x1
- (R) x2
- (4) x8
- (8) x8

**Step 11:** Place the Wine Rack (Z) onto the part (Q). Then, connect the part (Q) with (O) and (P) by bolt set (1) and (5) and (8).



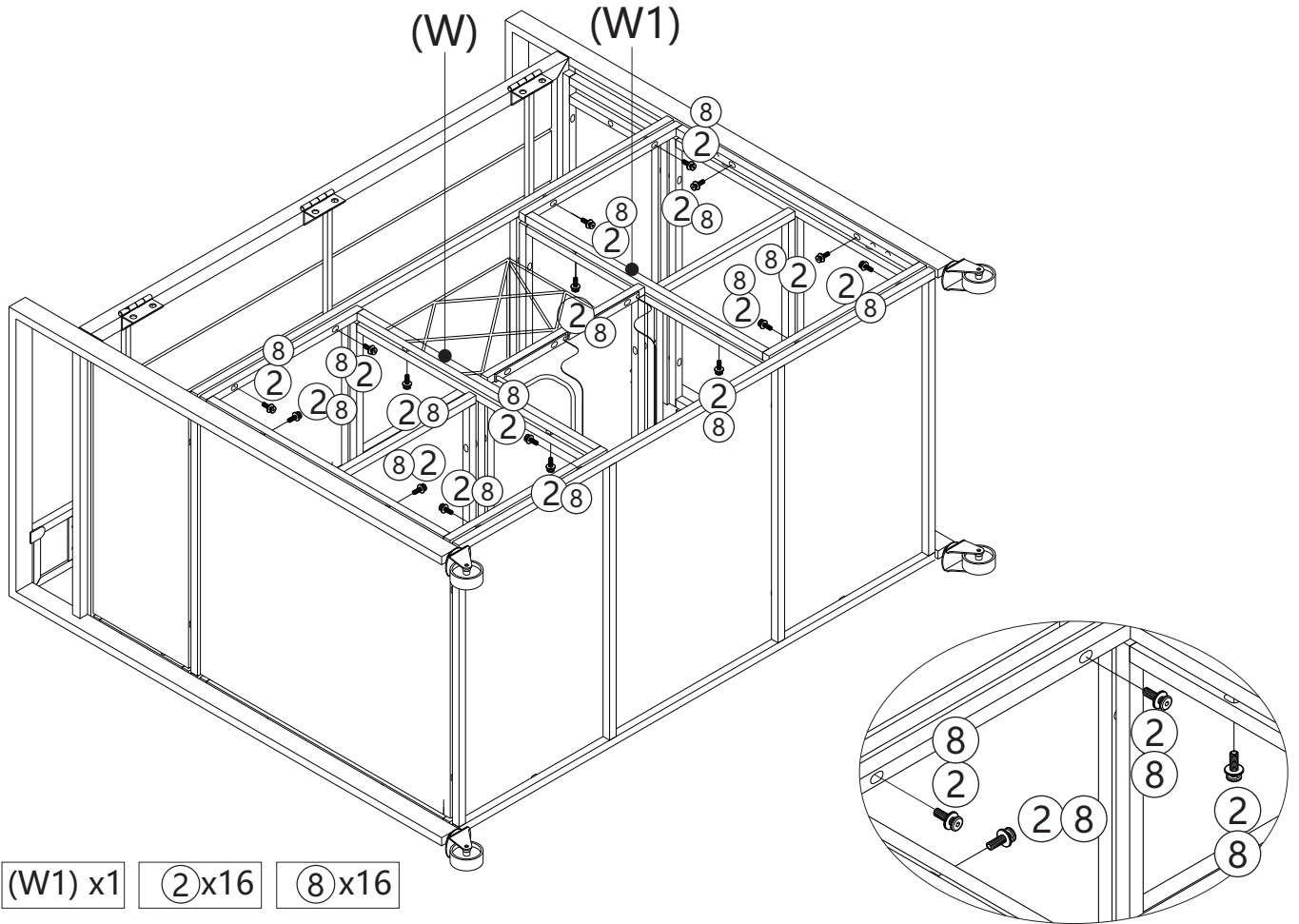
(Z) x1    (1) x4    (5) x4    (8) x8

**Step 12:** Connect the bottom frame (S) by the bolt set (2) and (8).

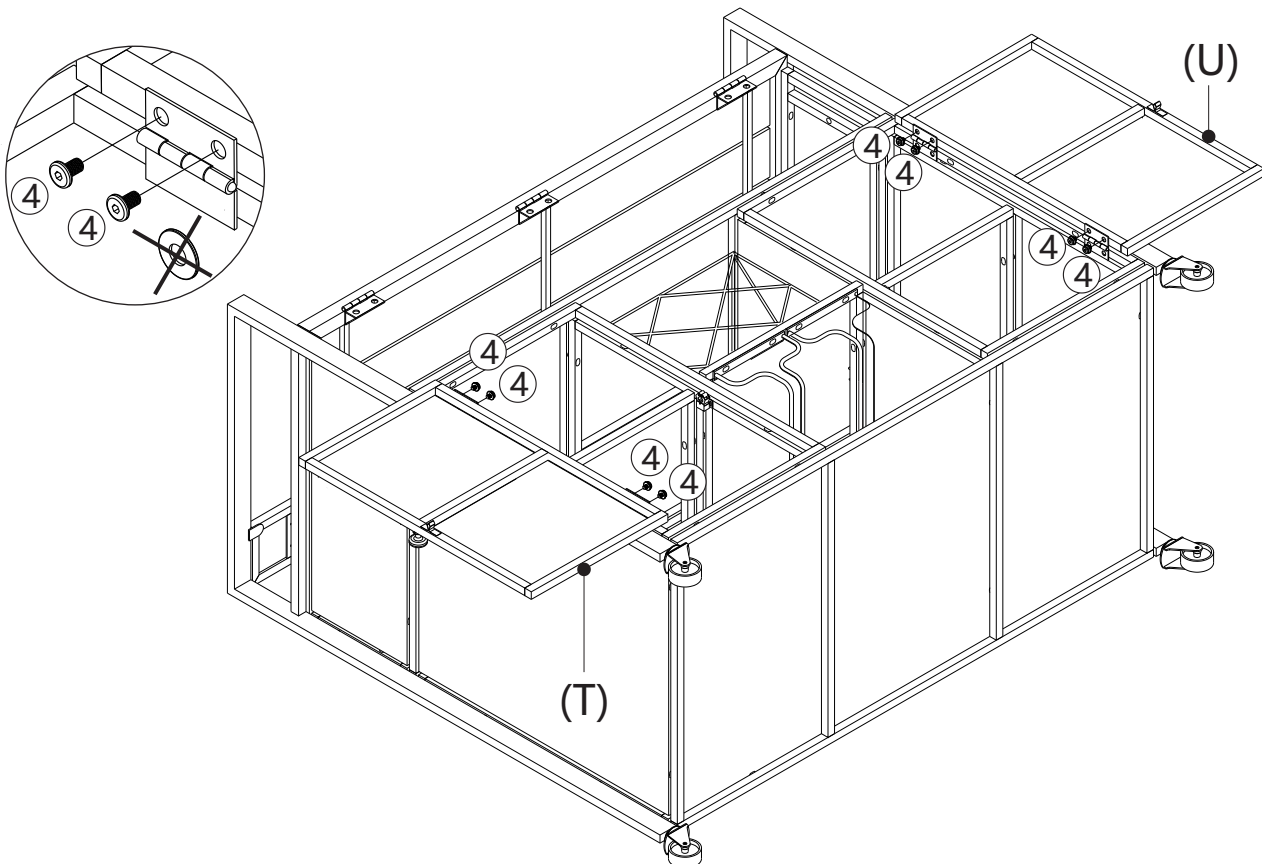


(S) x1    (2) x8    (8) x8

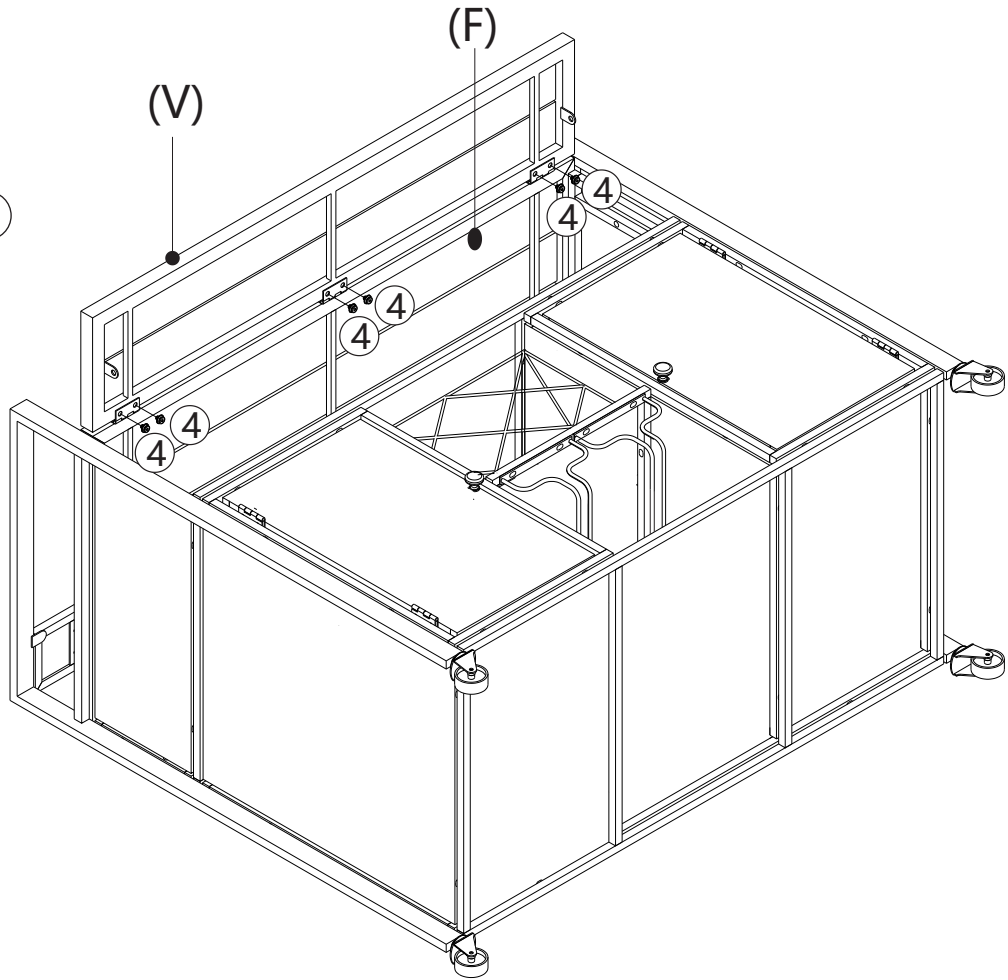
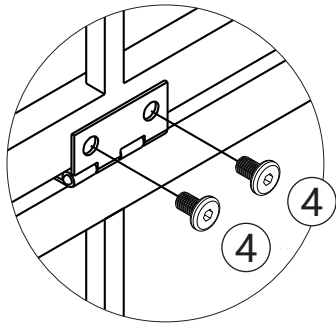
**Step 13:** Install Front Frame (W) (on the left) and (W1) (on the right) with bolt set (2) and (8).



**Step 14:** Connect Door Frame (T) (on the left) with (W), door frame (U) with (W1) (on the right) with bolt (4)-no use washer (8).

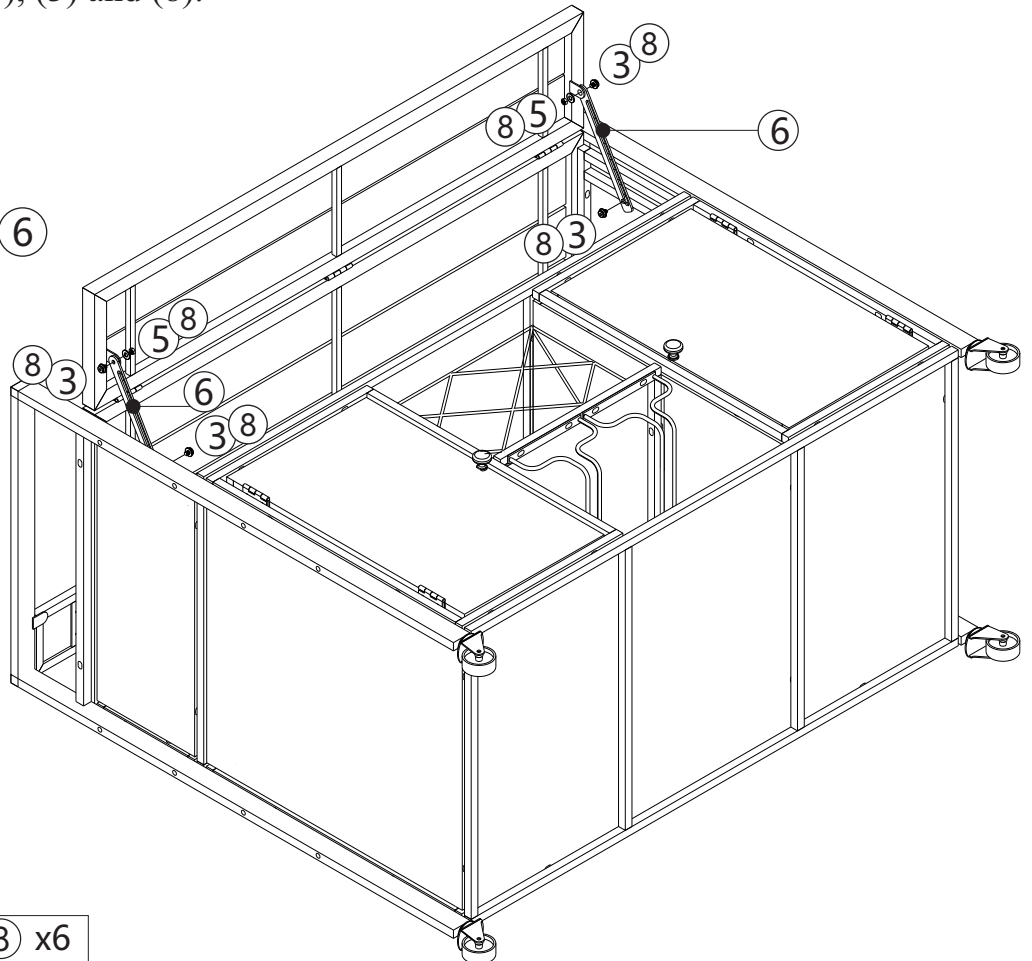
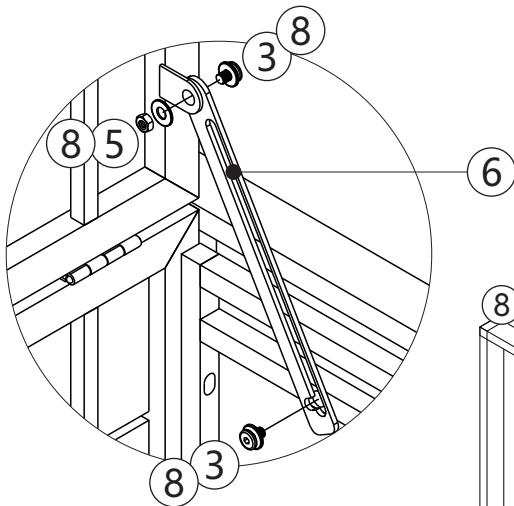


**Step 15:** Connect (V) with (F) with bolt (4)-no use washer(8).



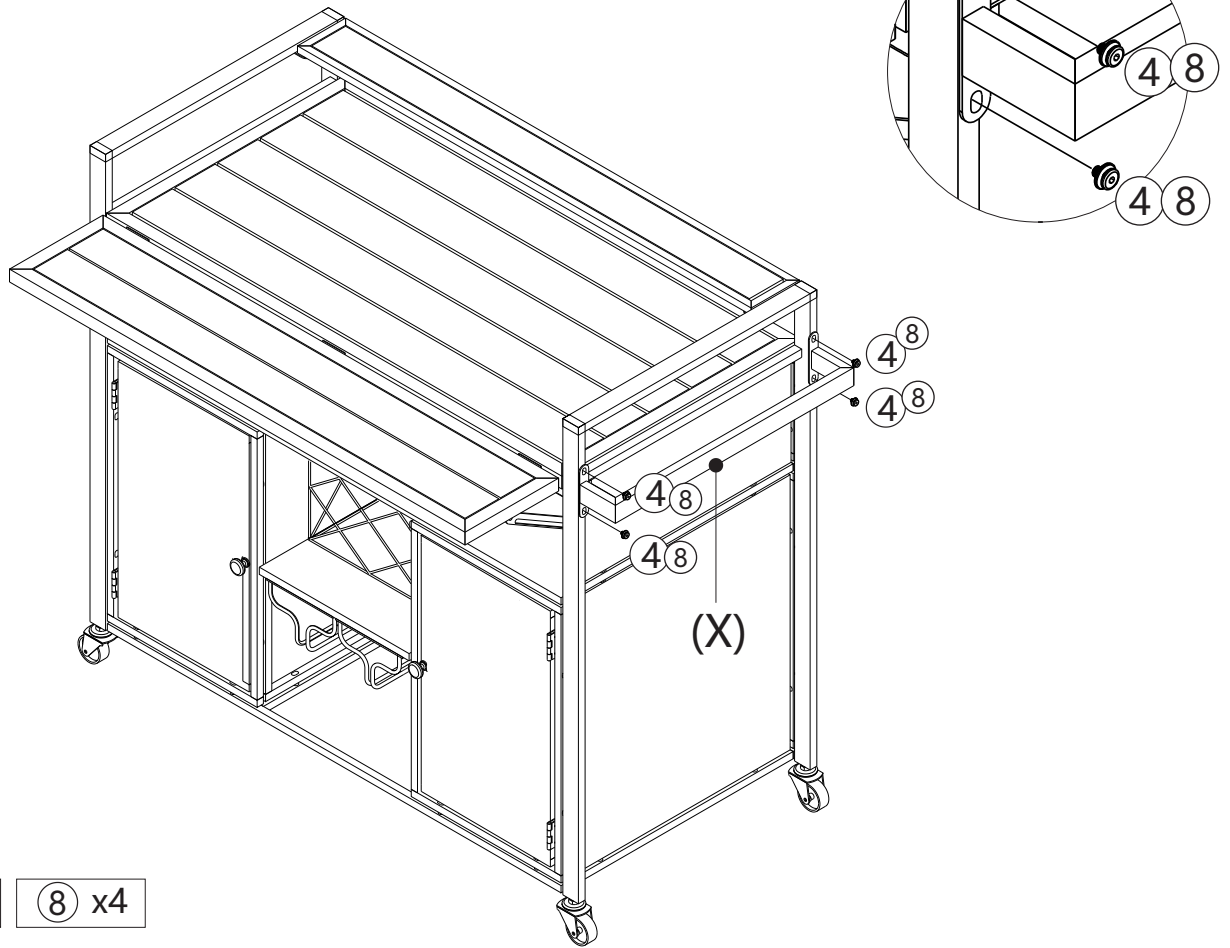
(V) x1    (4) x6

**Step 16:** Insert part (6) from Hardware pack into part (V) and (G)(on the left), part (H) (on the right) by the bolt set (5), (3) and (8).



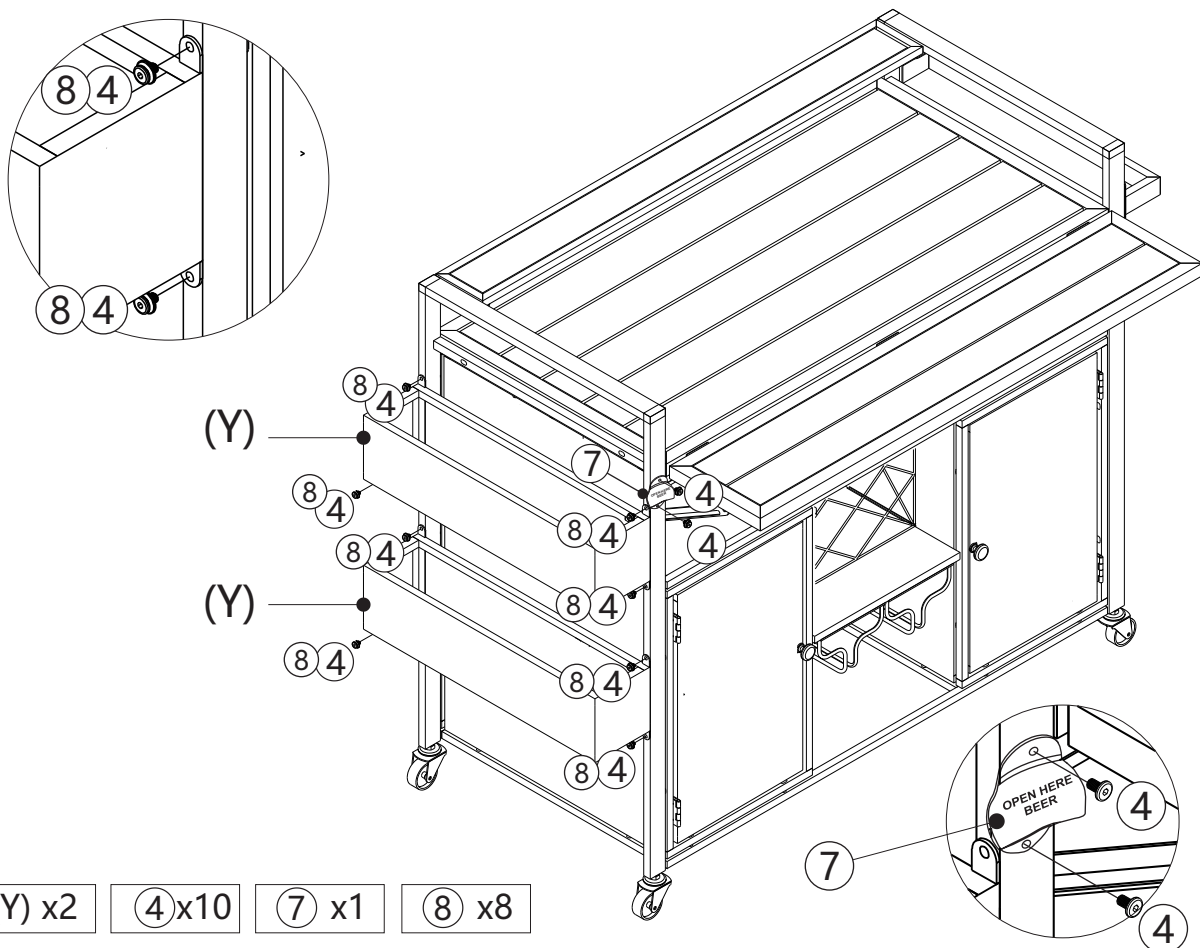
(3) x4    (5) x2    (6) x2    (8) x6

**Step 17:** Connect (X) with (B) with bolt set (4) and (8).



(X) x1    (4) x4    (8) x4

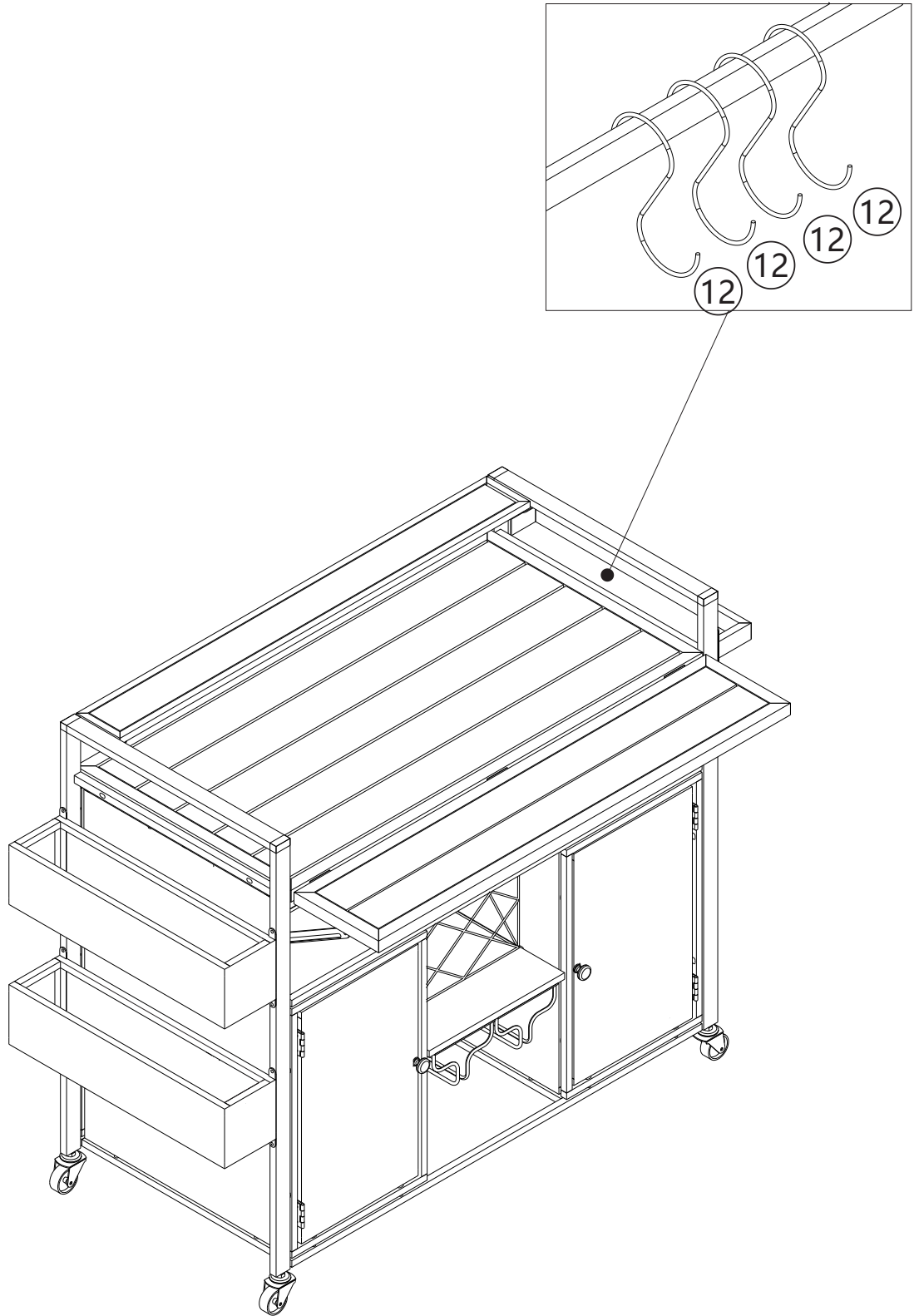
**Step 18:** Connect (Y) and (7) from Hardware pack with (A) with bolt set (4) and (8).



(Y) x2    (4) x10    (7) x1    (8) x8

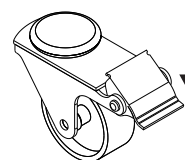
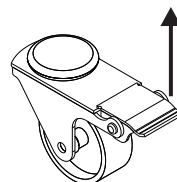
**Step 19:** Hang the part (12) from Hardware pack on part (X).

Note: This outdoor wicker cabinet can only be used on a flat, level surface.



UNLOCK

LOCK



12 x4