

Features

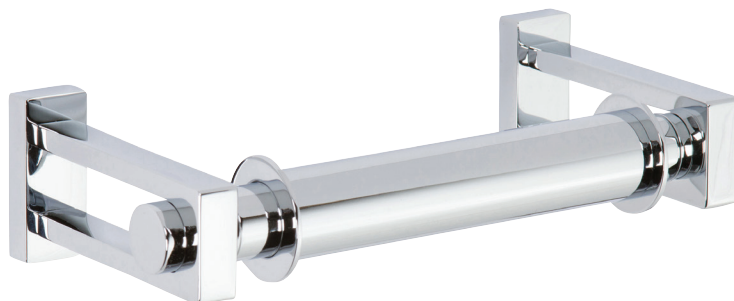
- Solid brass construction
- Double-post design with spring-loaded, non-separating roller
- Complements Frame product series

Toilet Tissue Holder 3008

Codes / Standards Compliance

Meets or exceeds the following at date of manufacture:

- All applicable US Federal and State material regulations



Colors / Finishes

- PC: Polished Chrome
- SN: Satin Nickel

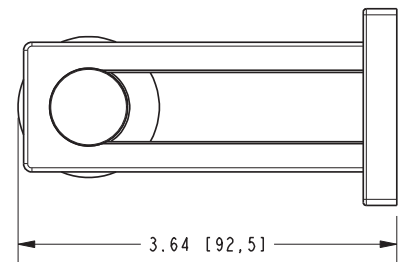
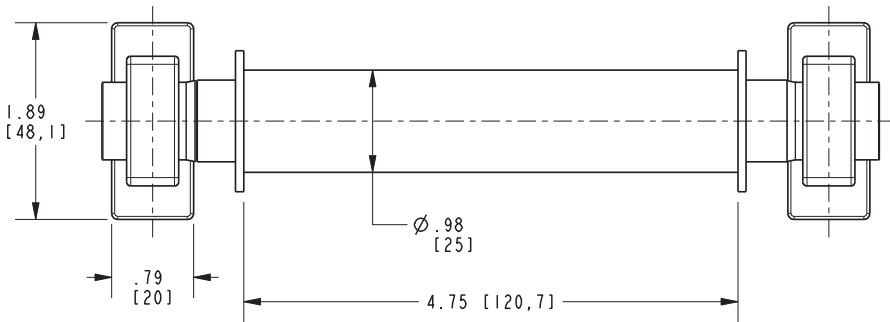
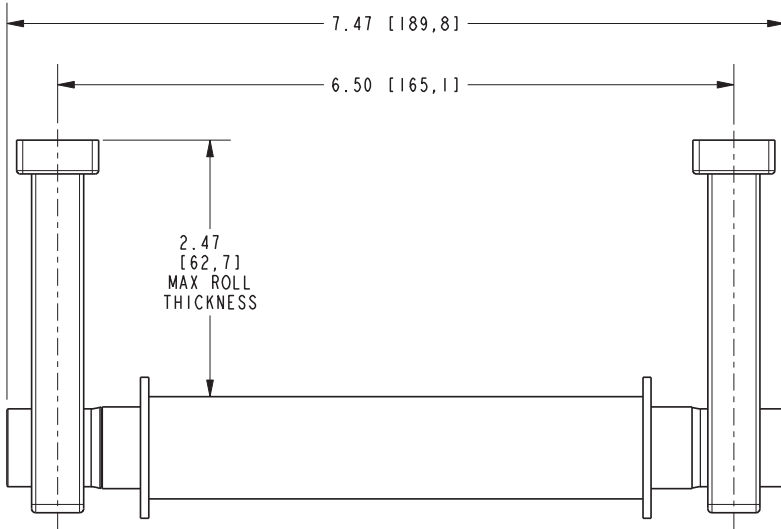
Specified Model

Model	Description	Colors Finishes
3008	Toilet Tissue Holder	<input type="checkbox"/> PC <input type="checkbox"/> SN

Product Specification: Add "Color / Finish" Suffix to Model Number Below

The Toilet Tissue Holder shall be made of solid brass construction and incorporate a double-post design utilizing a non-separating, spring-loaded roller. Toilet Tissue Holder shall complement Ginger Frame product series. Toilet Tissue Holder shall be Ginger Model 3008/_____.

3008



Frame Toilet Tissue Holder 3008