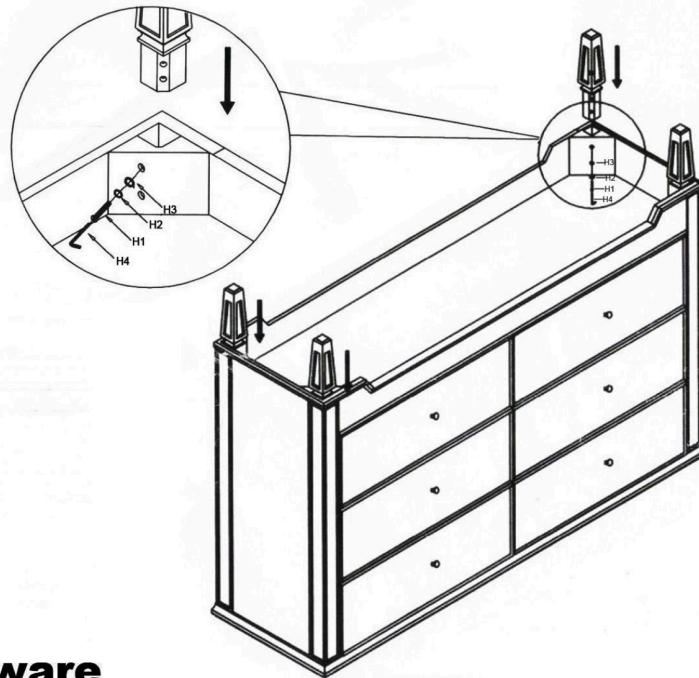


# Assembly Instructions



## hardware

(H1) x 8  
Screw



(H2) x 8  
Lock Washer



(H3) x 8  
Flat Washer



(H4) x 1  
Allen wrench

