
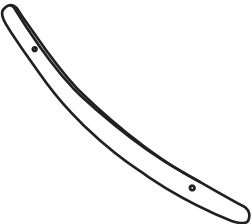
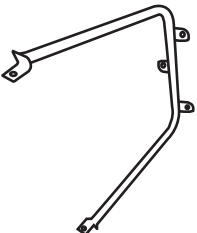

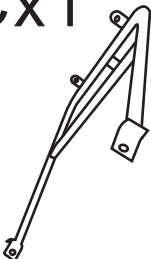




ASSEMBLE INSTRUCTION

<p>Ax1</p> 	<p>Ex1</p> 
<p>Bx1</p> 	<p>Fx4</p>  <p>M6x20mm</p>
<p>Cx1</p> 	<p>Gx6</p>  <p>M6x16mm</p>
<p>Dx1</p> 	<p>Hx1</p> 