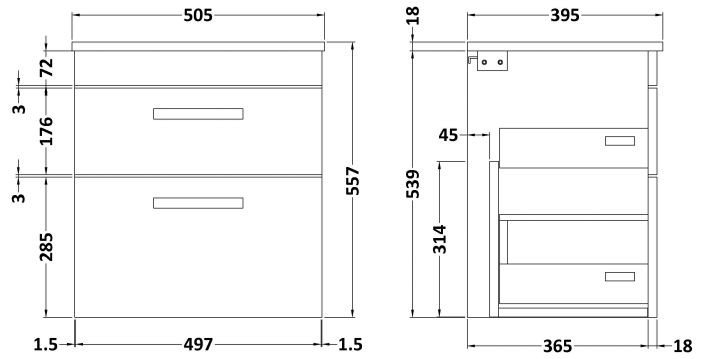


CUSTOMER DATA SHEET

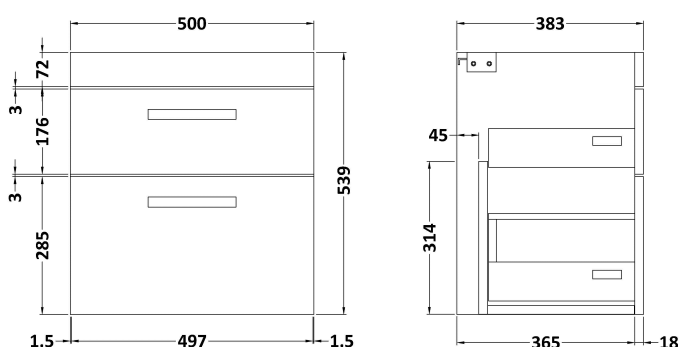
DESCRIPTION:

500 Wh 2-Drawer Vanity With Basin B



CUSTOMER DATA SHEET - FURNITURE

DESCRIPTION: 500 Wall Hung 2-Drawer Basin Unit



PRODUCT DIMENSIONS

| Height (mm) | Width (mm) | Depth (mm) | Nett Wgt Kg |
|-------------|------------|------------|-------------|
| 538 | 500 | 383 | 19 |

PACKAGING DIMENSIONS

| Height (mm) | Width (mm) | Depth (mm) | Gross Wgt Kg |
|-------------|------------|------------|--------------|
| 560 | 520 | 405 | 19.37 |

PACKAGING DATA

| | | | |
|------------|---------------------|--------------|-------------|
| Box Colour | Brown Cardboard Box | | |
| Box Qty | 1 | Label Colour | White Label |
| Label Size | 100 x 50 | Label Qty | 2 |

OUTER BOX DIMENSIONS (If Applicable)

| Height (mm) | Width (mm) | Depth (mm) | Gross Wgt Kg |
|-------------|------------|------------|--------------|
| | | | |

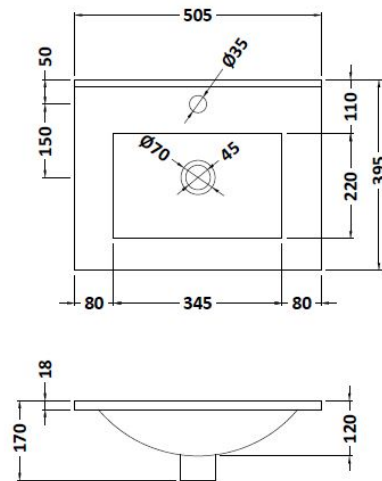
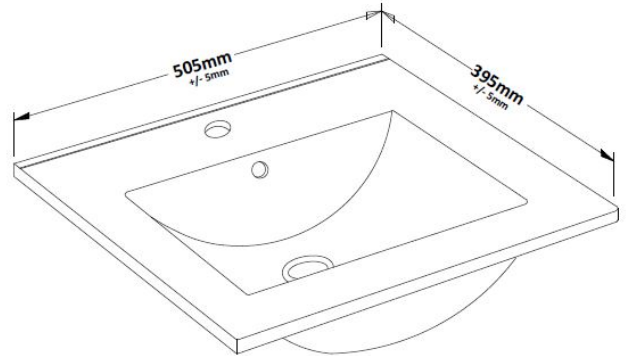
PRODUCT DETAILS

| | | | | |
|---------------------|---------------------------|-----|----|-----|
| Country of Origin | United Kingdom | | | |
| Fitting Instruction | No | | | |
| Constr' Method | Cam & Wood Dowel | | | |
| Cabinet Finish | MFC Textured Woodgrain | | | |
| Cab Thickness (mm) | 18 | | | |
| Drawer Included | Yes | | | |
| No of Shelves | 0 | | | |
| Hinge Inc' | Not Applicable | | | |
| Fixings Inc' | Yes | | | |
| Handle Inc' | Yes, Supplied | | | |
| Handle Type | Strap | | | |
| Certification | FSC | Yes | CE | N/A |
| Colour | Grey Avola | | | |
| Constr' Type | Rigid | | | |
| Fascia Finish | MFC Textured Woodgrain | | | |
| Fas Thickness (mm) | 18 | | | |
| Drawer Type | 80mm High Metal Softclose | | | |
| Hinge Type | Not Applicable | | | |
| Adjustable Legs | No, Not Required | | | |
| Handle Style | Contemporary | | | |
| Waste Shroud | Yes | | | |

CUSTOMER DATA SHEET - CERAMICS

DESCRIPTION:

500mm Minimalist Basin 1Th


PRODUCT DIMENSIONS

| Height (mm) | Width (mm) | Depth (mm) | Nett Wgt Kg |
|-------------|------------|------------|-------------|
| 170 | 500 | 390 | 9 |

PACKAGING DIMENSIONS

| Height (mm) | Width (mm) | Depth (mm) | Gross Wgt Kg |
|-------------|------------|------------|--------------|
| 400 | 520 | 200 | 9 |

PACKAGING DATA

| | | | |
|------------|---------------------|--------------|-------------|
| Box Colour | Brown Cardboard Box | | |
| Box Qty | 1 | Label Colour | White Label |
| Label Size | 105 x 50 | Label Qty | 1 |

OUTER BOX DIMENSIONS (If Applicable)

| Height (mm) | Width (mm) | Depth (mm) | Gross Wgt Kg |
|-------------|------------|------------|--------------|
| | | | |

PRODUCT DETAILS

| | |
|---------------------|-------|
| Country of Origin | China |
| Fitting Instruction | No |

| | | | |
|------------------|----------------|------|-------------|
| Certification | CE | WRAS | WRAS Number |
| Product Material | Vitreous China | | |

PANS/BIDETS

| | | | |
|------------|----------------|---------------|----------------|
| Trap Style | Not Applicable | Includes Seat | Not Applicable |
|------------|----------------|---------------|----------------|

CISTERNS

| | | | |
|------------|----------------|----------------|----------------|
| Fittings | None Included | Operating Type | Not Applicable |
| Lever Type | Not Applicable | | |

SEAT

| | | | |
|------------|----------------|----------------|----------------|
| Type | Not Applicable | Function | Not Included |
| Material | Not Applicable | | |
| Hinge Type | Not Relevant | Hinge Material | Not Applicable |

BASINS

| | | | |
|------------------|--------------|------------------|---------|
| Tap Hole | One Taphole | Chain Stay Hole | No |
| Template | Not Required | Waste Type Req'd | Slotted |
| Overflow Incl. | Yes | Overflow Cover | Yes |
| Inner Bowl Depth | 120mm | | |

GENERAL

| | |
|-----------------|----|
| Fixing Supplied | No |
|-----------------|----|