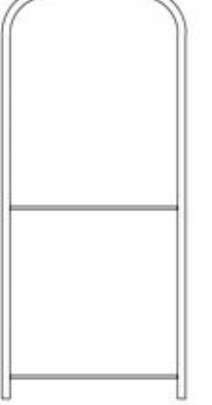

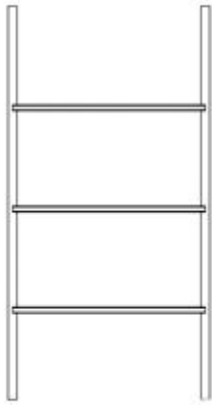
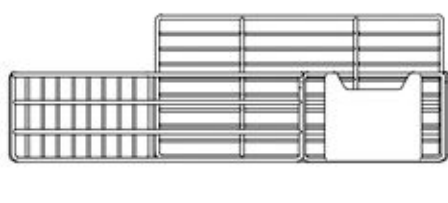
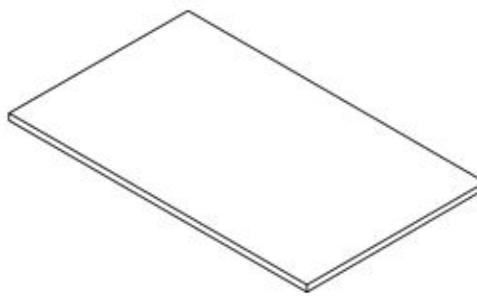
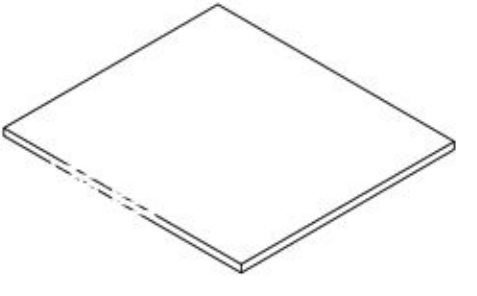
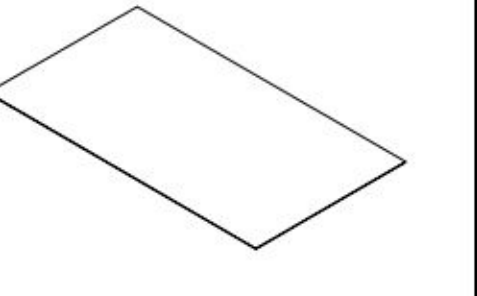





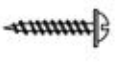





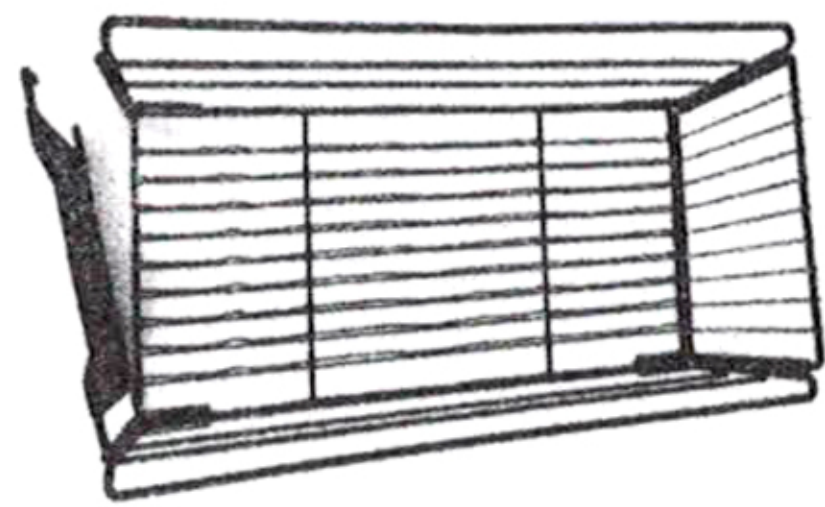
Installation instruction

 x1 Left stand	 x1 Right stand	 x1 Middle stand	 x3 Basket	 x1 MDF board	 x2 MDF board	 x3 MDF board	 x4 horizontal pipe
 x2 horizontal pipe	 x4 PP Wheel	 x4 PP Snap	 x16 M6X30 Screws	 x4 4x10 Self-tapping screws	 x1 Torx screwdriver	 x1 hexagonal wrench	 x1 Spanner

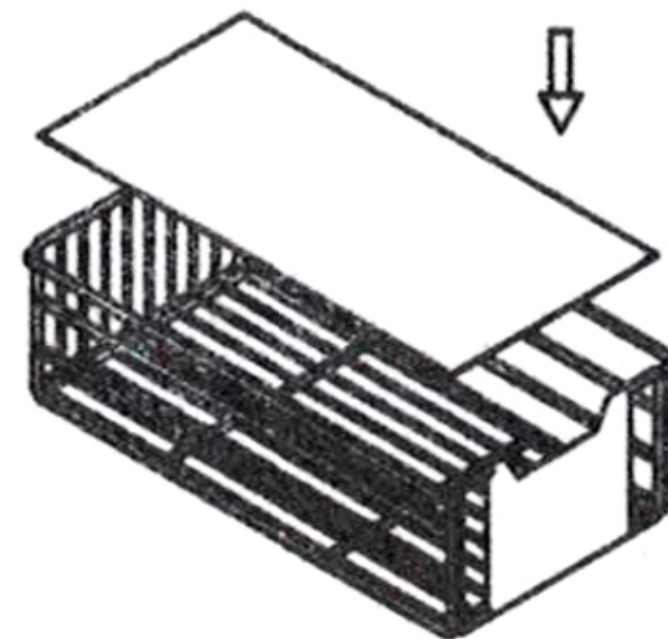
Installation instruction of basket



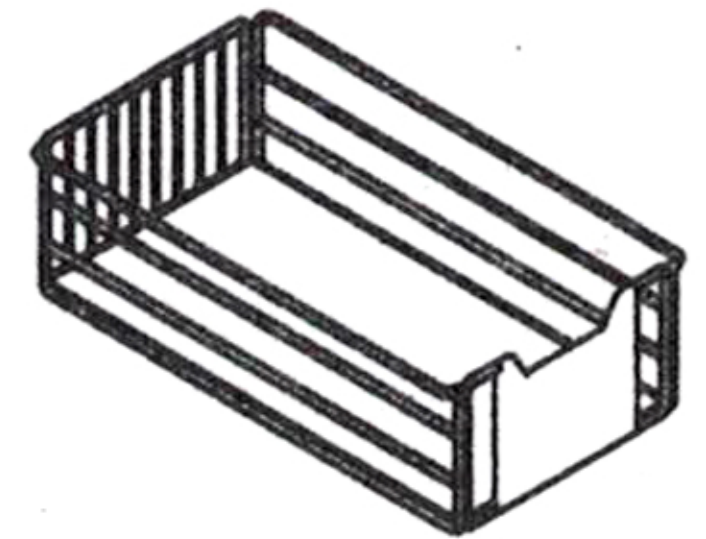
1. Open the basket



2. Fixed by side connection

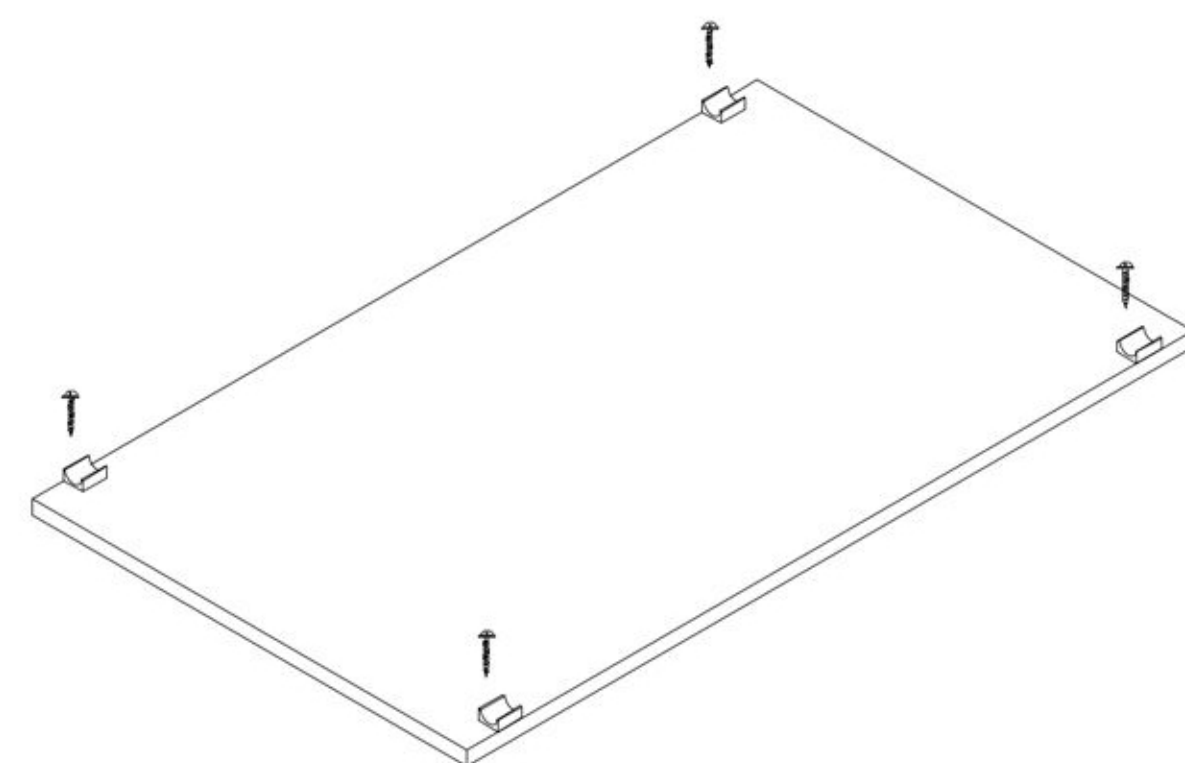
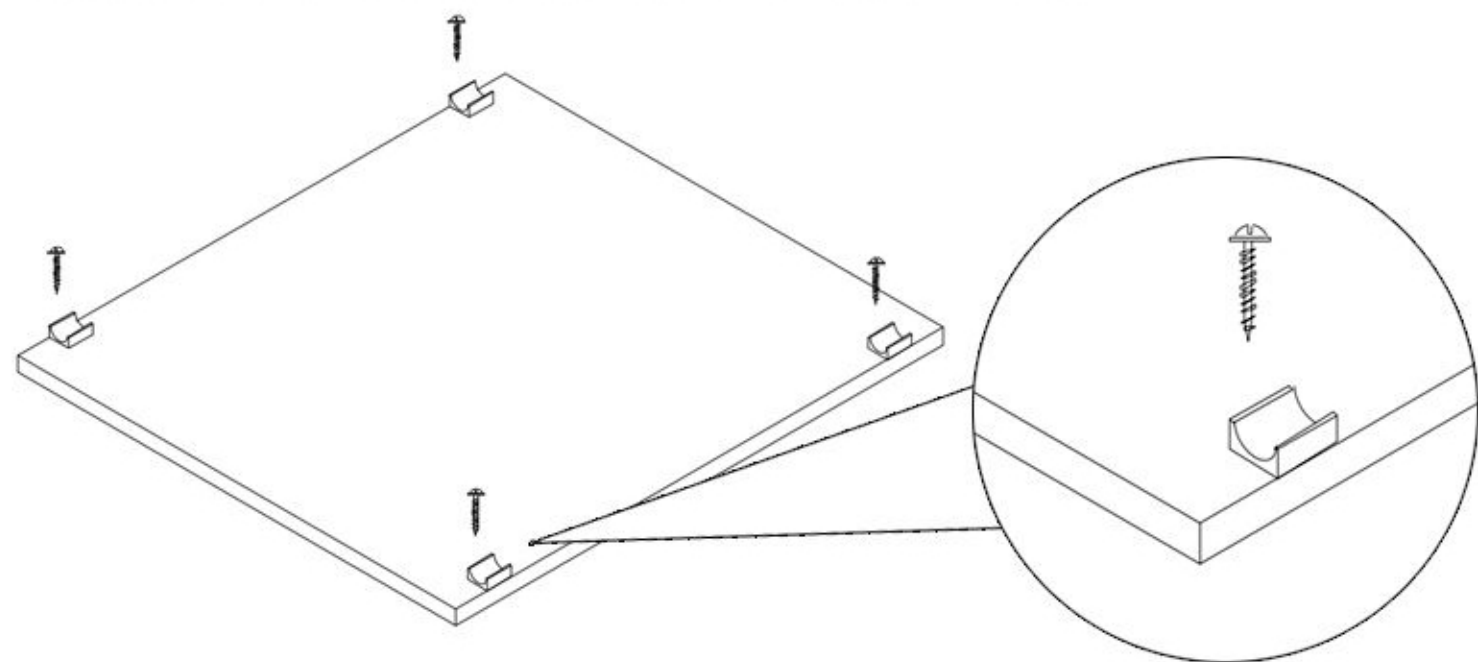


3. Place the plastic sheet



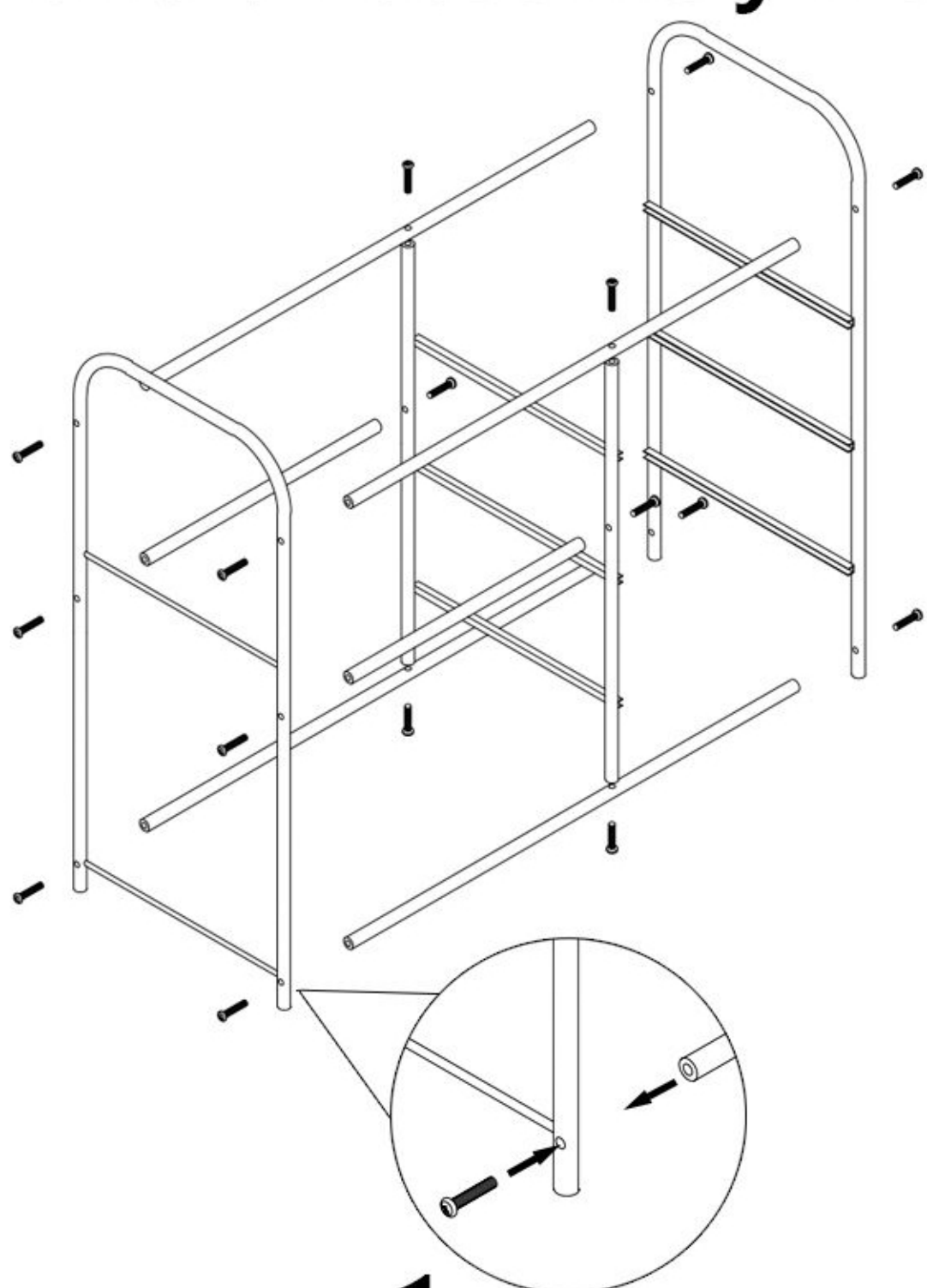
4. Complete

Installation instruction of board

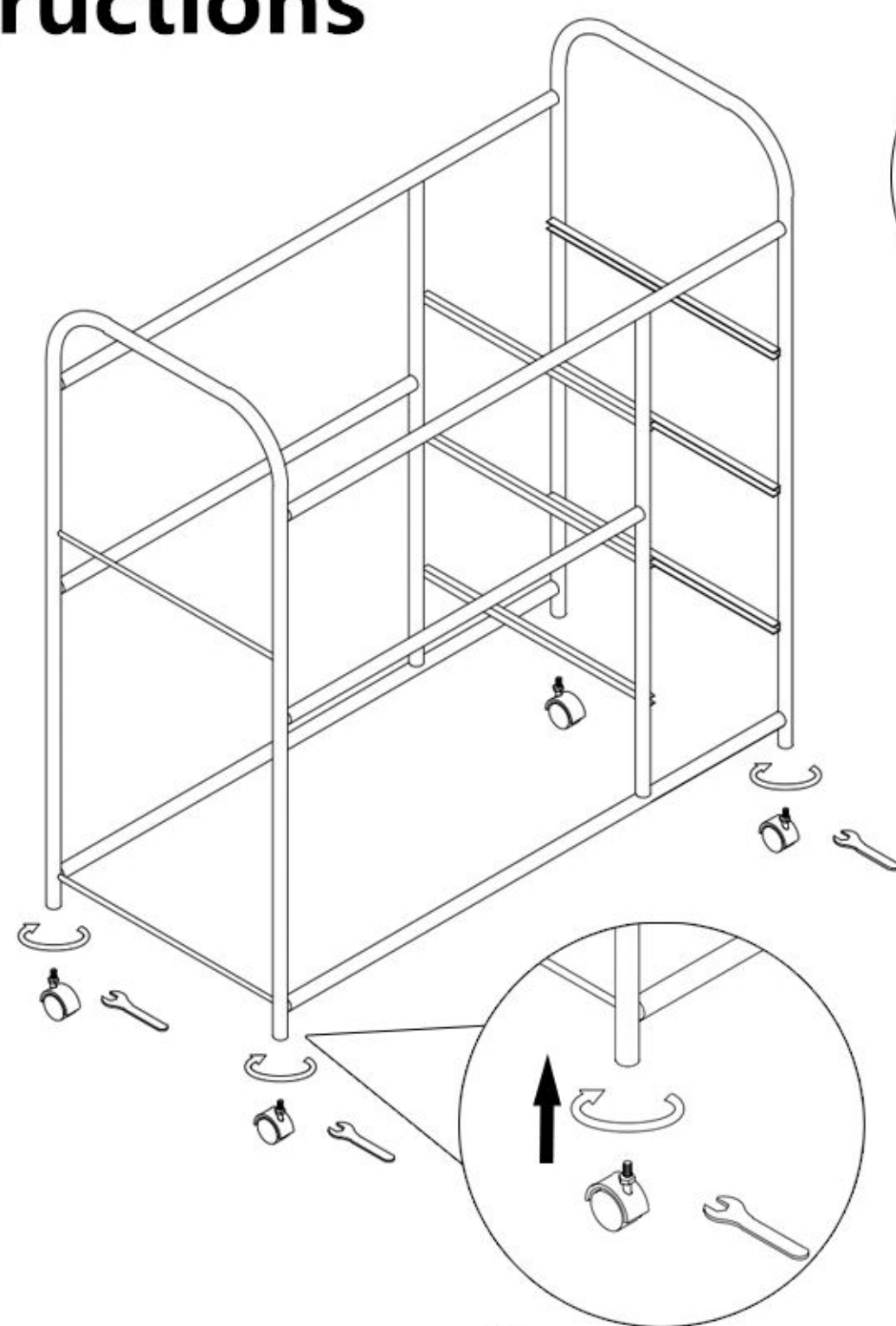


Place the self-tapping screws into the PP snap and tighten with a screwdriver.

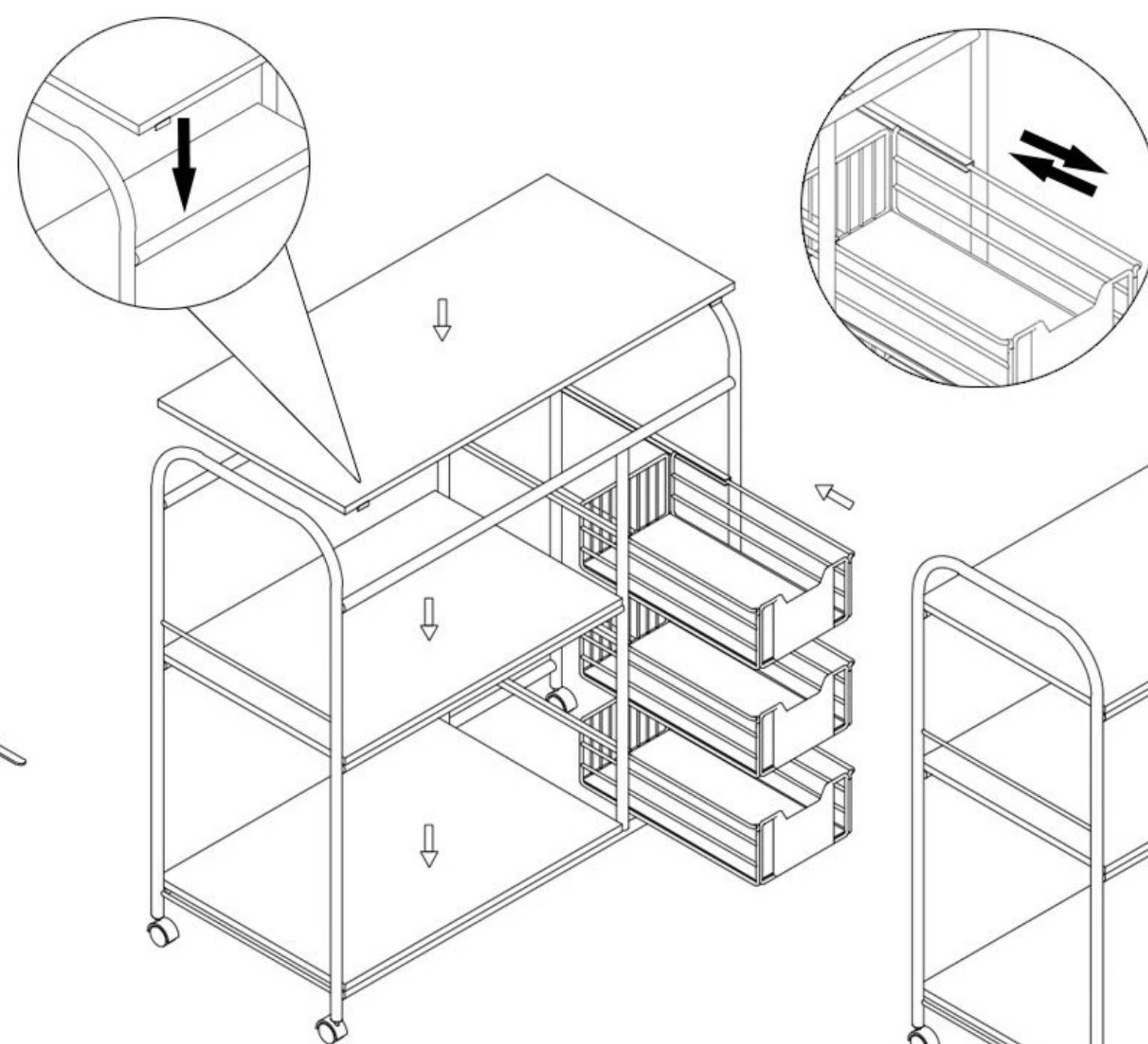
Overall assembly instructions



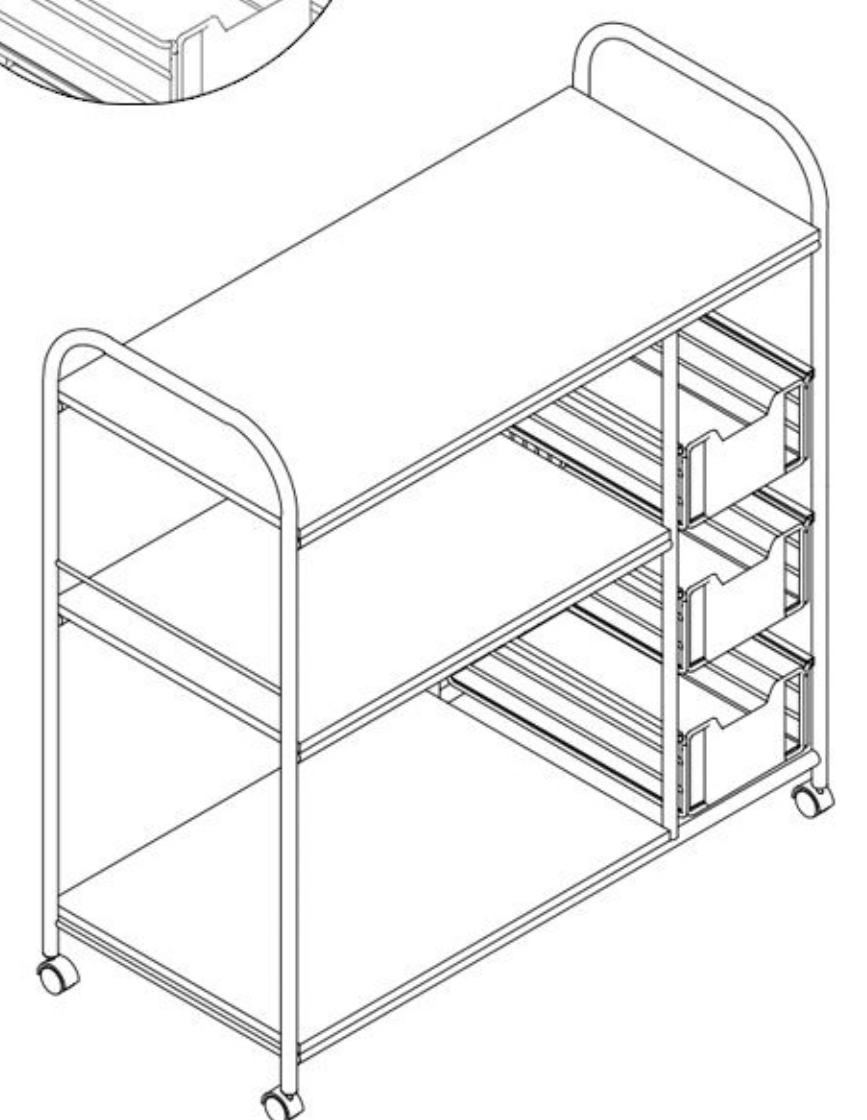
1



2



3



4

Use the connecting rod to assemble the stands. Tighten the screws with the hexagonal wrench.

Insert the cardan wheels with a spanner.

Insert the wire baskets and clamp the board.

Installation complete.