



## INSTALLATION GUIDE



Grandview Pull Down Kitchen Faucet

With Soap Dispenser

PB-K04

## RECOMMENDED TOOLS AND MATERIALS

- ◆ Silicone Sealant
- ◆ Adjustable Wrench
- ◆ Tape Measure
- ◆ Basin Wrench
- ◆ Phillips Screwdriver
- ◆ Pencil
- ◆ Masking Tape

## BEFORE YOU BEGIN

There are a variety of things to do before installing any new plumbing system into your home or residence. Before you begin work make sure you:

- ◆ Shut off the main water supply
- ◆ Observed any local plumbing codes
- ◆ If possible, install the faucet before the sink
- ◆ Inspect tubing for damage - Replace as necessary

Pacific Bay reserves the right to make any revisions in the design of faucets without notice.

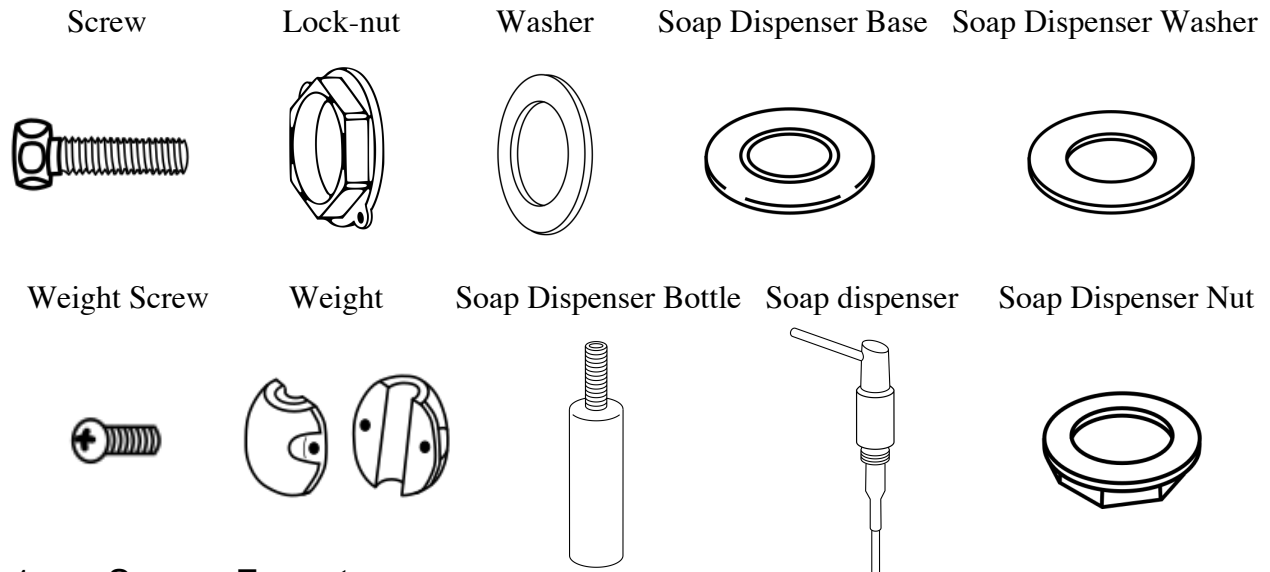
## MAINTENANCE AND CLEANING

Cleaning Tips: The finish on your faucet is designed to retain its beautiful sheen for years. To maintain the original look of the finish, a little care and caution should be used. We recommend the use of mild soap and water to clean the faucet. **THE USE OF ABRASIVE CLEANERS MAY SCRATCH THE FINISH OR CAUSE OTHER DAMAGE.**

## INSTALLATION OF THE FAUCET

Before starting turn off both the hot and cold water supply lines and remove the old faucet. Clean around all areas of attachment before placing new faucet on sink to help prevent corrosion after installation.

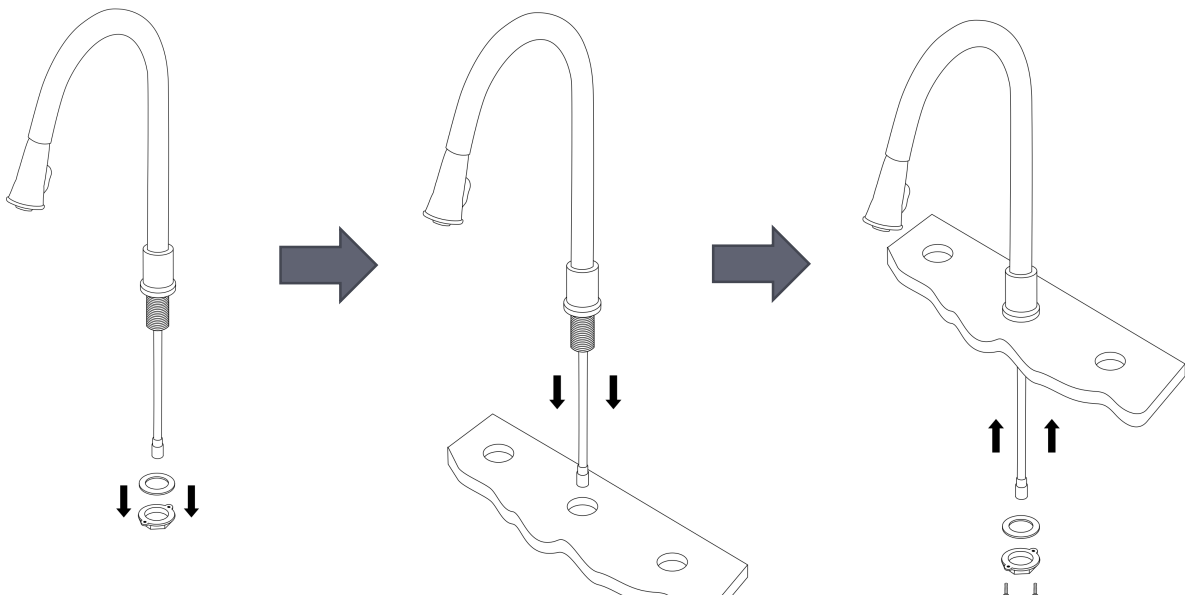
### Parts List



### 1 Secure Faucet

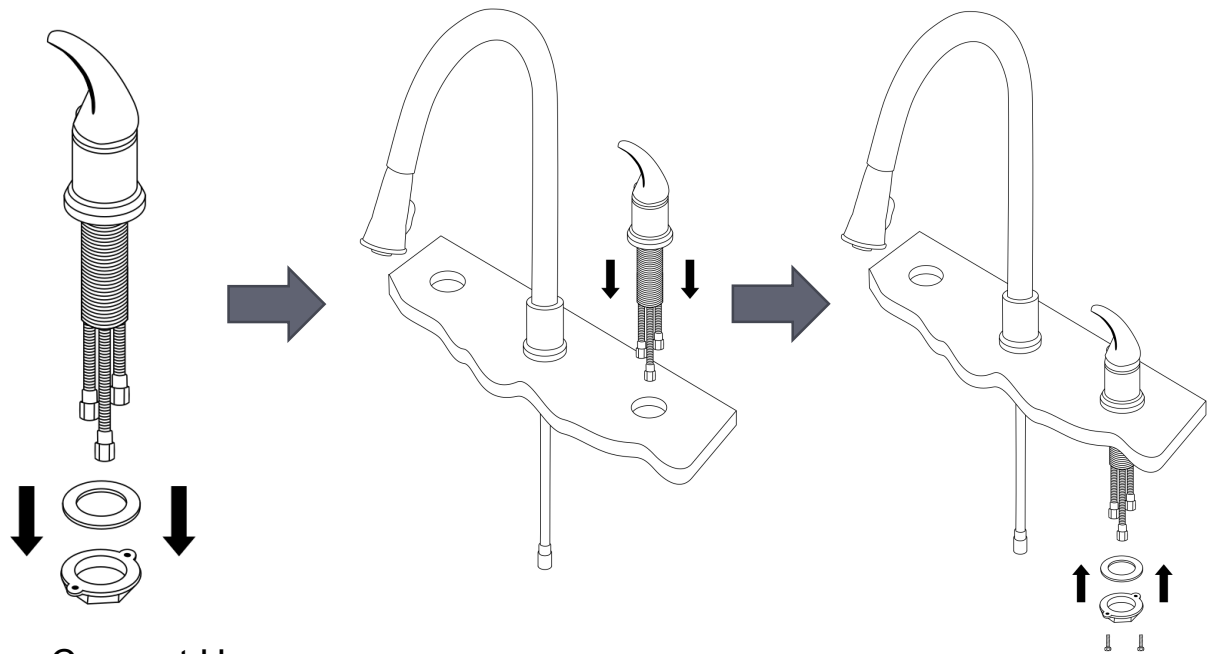
Place faucet on sink by feeding hoses down through the center hole in sink. Remove the mounting nut and nylon washer from threaded collar. Note that the black rubber gasket at the base of the faucet body remains in place as used to create a seal after faucet is installed.

Install faucet through hole in sink. Slide nylon washer up to threaded collar followed by mounting nut. Thread mounting nut to underside of sink but do not tighten yet.



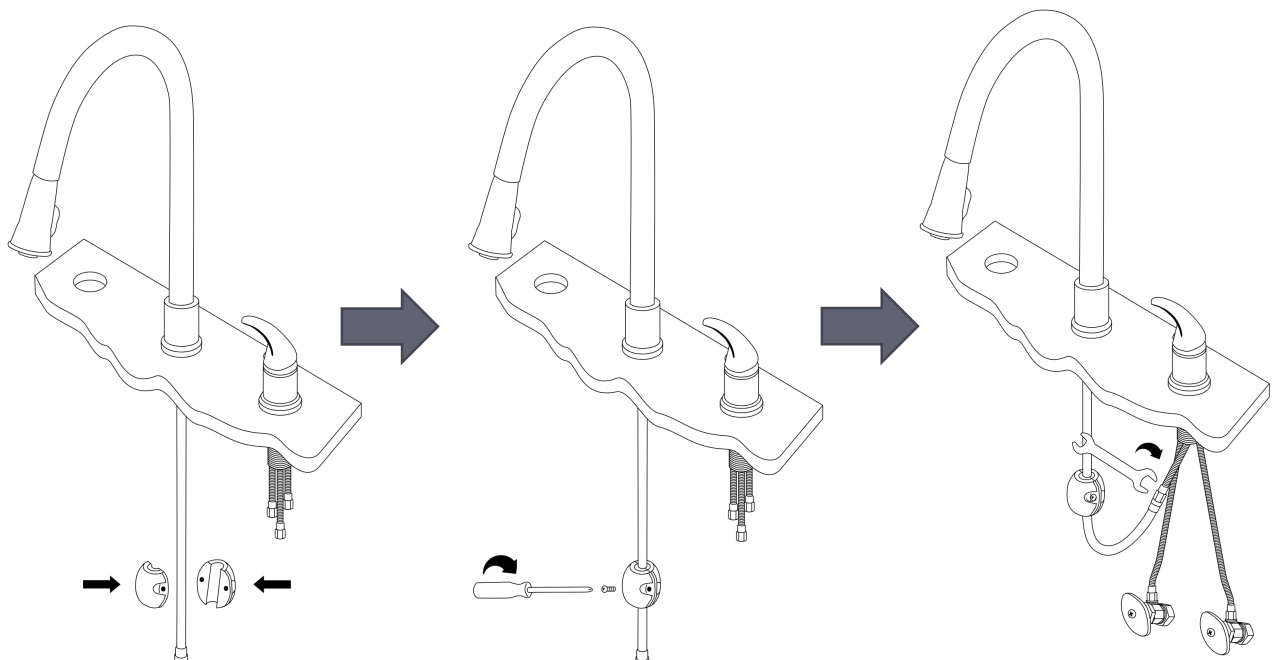
## 2 Install Water Control Lever

Determine the direction you would like the handle to face when in the off (down) position. Generally, when installed in the center of the sink, this would be straight forward and when installed in the corner of the sink, diagonally across the sink. Center the faucet through the hole in your sink and then hold faucet body in place. Tighten mounting nut until faucet is secure being careful not to over tighten and then screw in lock-nut screws for final tightening.



## 3 Connect Hose

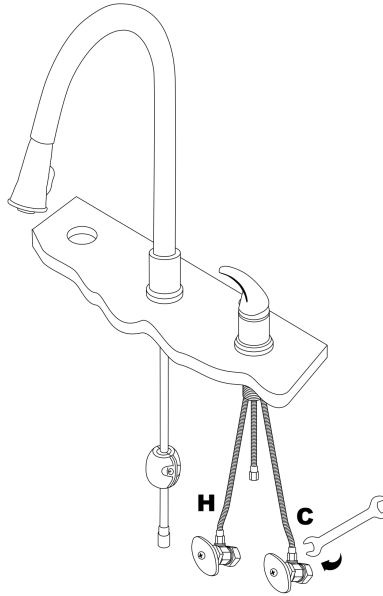
Connect sprayer hose. Attach the weight to the hose at a length suitable to you (The further from the end you place the weight the longer your reach will be when pulling the hose out for use). You may move the weight to adjust the pull-out length of the hose. Carefully tighten the weight.



## 4 Connect Supplies

---

Connect hot water supply to longer of the two flexible supply hoses and cold water supply to shorter of these hoses. Flexible supply hoses are complete with 3/8" compression fittings for your convenience. With all pipe attachments plumbers tape can be utilized to help reduce the risk of leaking.

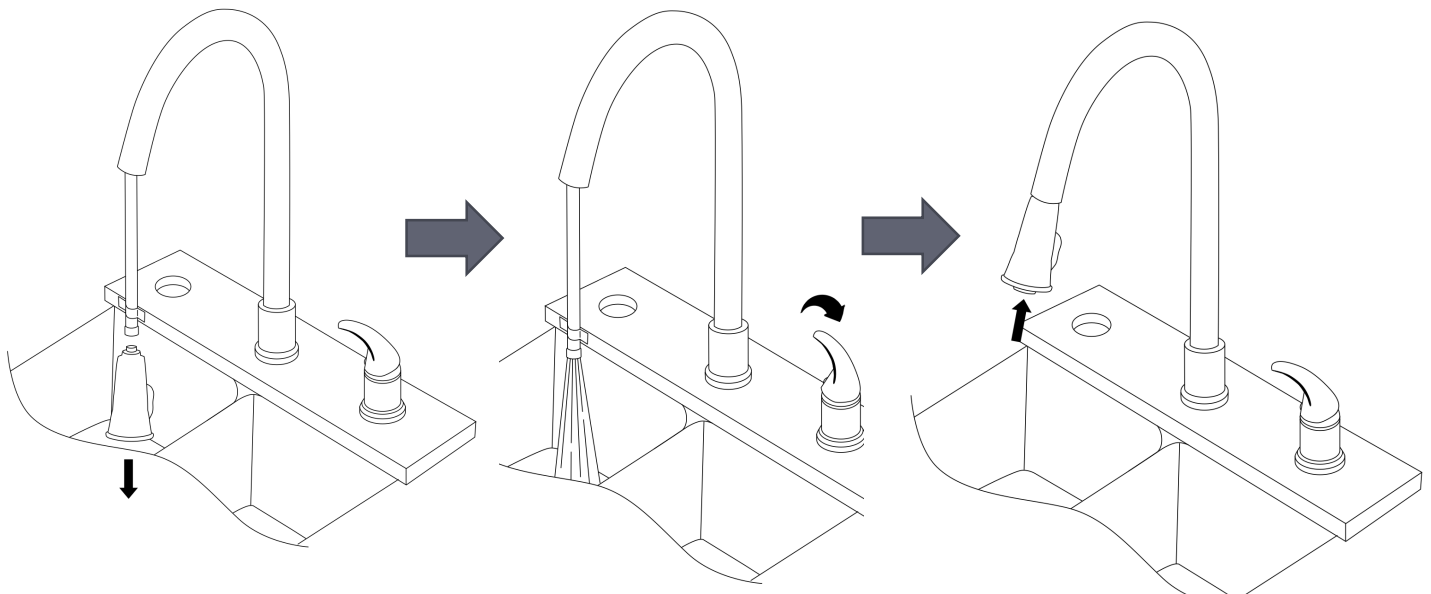


## 5 Flush Lines

---

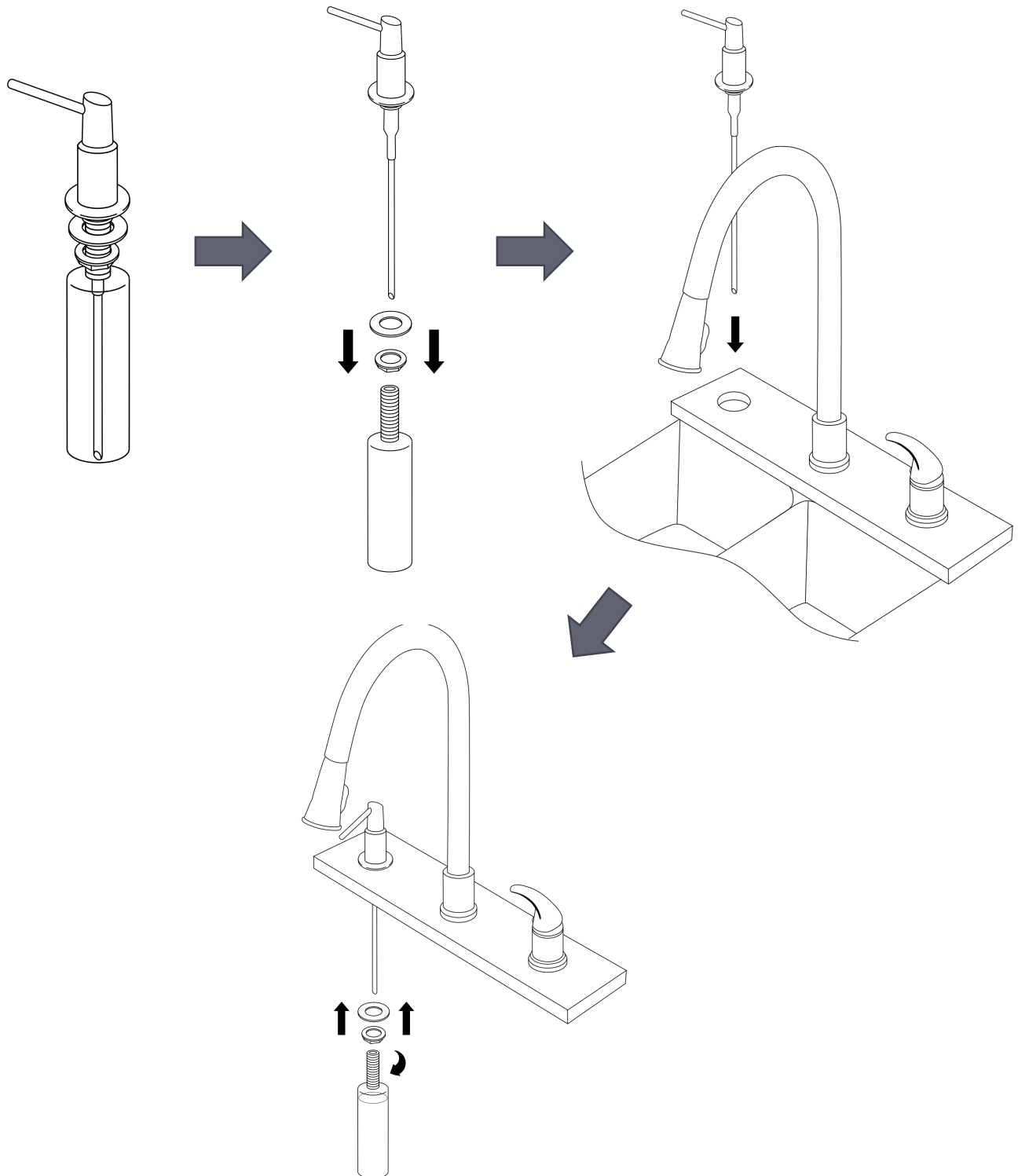
Pull the sprayer out to partially expose the hose. Position the hose in the sink. Tie or tape the hose to the sink to prevent it from sliding back into the faucet. Remove the aerator.

Turn on the hot and cold water supply lines. Turn the faucet handle to the cold side and lift the handle to the "on" position. Run the water for one minute to remove any potential debris. Rotate handle to the warm side and run for a minute. During this process watch for any water leaks in the pipe. Reinstall the aerator.



## 6 Install Soap Dispenser

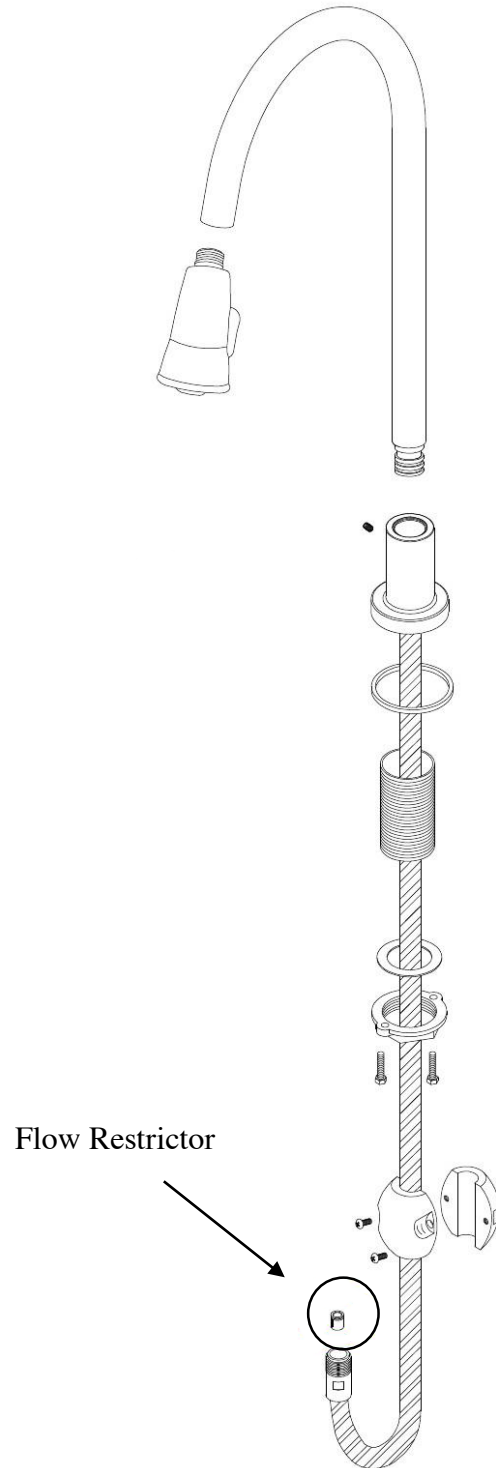
Unscrew plastic bottle and pull out pump assembly. Install base through sink or countertop with silicone sealant and secure from underneath with metal washer and lock nut. Fill plastic bottle with non-abrasive liquid soap from the top and insert pump nozzle and plastic pump to finish. Do not use plumbers putty.



## 7 Optional Removal of Flow Restrictor

---

Depending on preference, you may, at your own choice, remove the flow restrictor found at the end of the hose connecting to the faucet.





## Limited Lifetime Warranty

Pacific Bay products have been manufactured under the highest standards of quality and workmanship. Pacific Bay warrants to the original purchaser for as long as the original purchaser owns their home that this faucet will be leak- and drip-free during normal use and that all parts and finishes of this faucet will be free from defects in material and manufacturing workmanship. If the faucet is used commercially Pacific Bay warrants the faucet to be free from defects in material and workmanship for (5) years from the date the faucet was purchased. Plated metal and plated plastic finishes are warranted for (1) year.

If the faucet should develop a leak or drip during the warranty period, Pacific Bay will, free of charge, provide the parts necessary to put the faucet back into good working condition by you. They may also replace any part or finish that proves defective in material and manufacturing workmanship, under normal installation, use and service free of charge. Proof of purchase (original sales receipt) from the original purchaser must accompany all warranty claims. Defects or damages caused by the use of other products or parts is not covered by this warranty. If repair or replacement is not practical, Pacific Bay may elect to refund the purchase price in exchange for the return of the product.

This warranty covers replacement of all defective parts and finishes. However, damage due to product abuse, product misuse, installation error, or the use of cleaners containing alcohol, abrasives, or other solvents, whether performed by a contractor, service company, or yourself will void this warranty. Pacific Bay will not be responsible for labor charges and/or damages incurred in installation, repair or replacement, nor any indirect, incidental or consequential damages, losses, injury costs of any nature relating to this faucet. Except as provided by law, this warranty is in lieu of and excludes all other warranties, conditions and guarantees, whether expressed or implied, statutory or otherwise, including without restriction those of merchantability or of fitness for use.

Pacific Bay will advise you on how to proceed in making warranty claims. To begin a warranty claim, write to Pacific Bay explaining the defect and include proof of purchase and your name, address and telephone number. Email is [info@pacificbayfaucets.com](mailto:info@pacificbayfaucets.com).