

NOTICE

- * Please make sure that you have all parts indicated and they are in good condition before you begin assembly of this item. Refer to part list and hardware list below for guidance.
- * This item should be assembled on a soft surface to prevent scratching the finish during assembly.
- * This item may require periodic tightening.

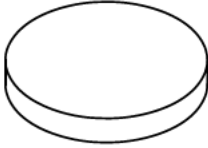
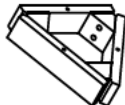
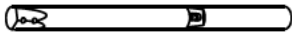
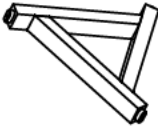
PREPARATION

- * Before beginning assembly of product, make sure all parts are present. Compare parts with part contents list and hardware contents list.
- * If any part is missing or damaged, do not attempt to assemble the product.
- * Estimated Assembly Time: 30 minutes.
- * Tools Required for Assembly : Allen Key (included), Phillips screwdriver (not included)

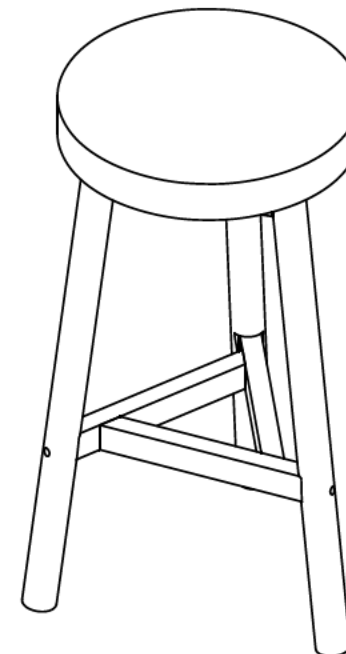
CARE AND MAINTENANCE

Adhesive felt pads should always be applied to areas of furniture which make direct contact with flooring, said application will prevent damage to the furniture and or surfaces on which the furniture lies. Objects placed on articles of furniture should rest on non abrasive material as to prevent damage to the wood finish. Wipe up spills immediately and avoid common hazards such as hot dishes, harsh solvents and abrasives. Cleaning should be done with a soft lint free cotton cloth dampened with water or furniture polish.







Part List and Hardware List

PIECE	DESCRIPTION	PICTURE	QUANTITY
A	SEAT		1X
B	APRON		1X
C	LEG		3X
D	STRETCHER		1X

Product Dimensions: 15 5/8"W x 15 3/8"D x 26 3/4"H

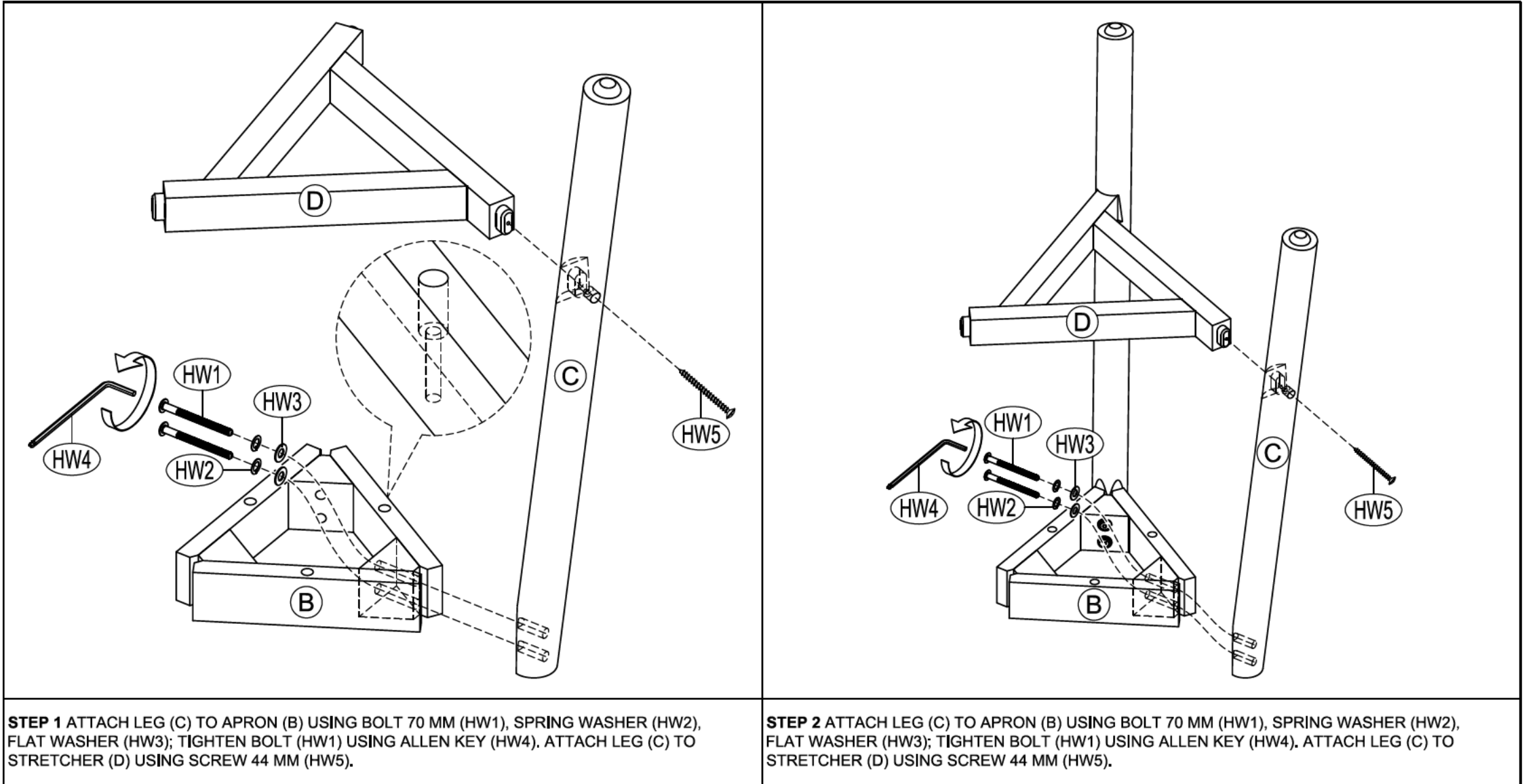


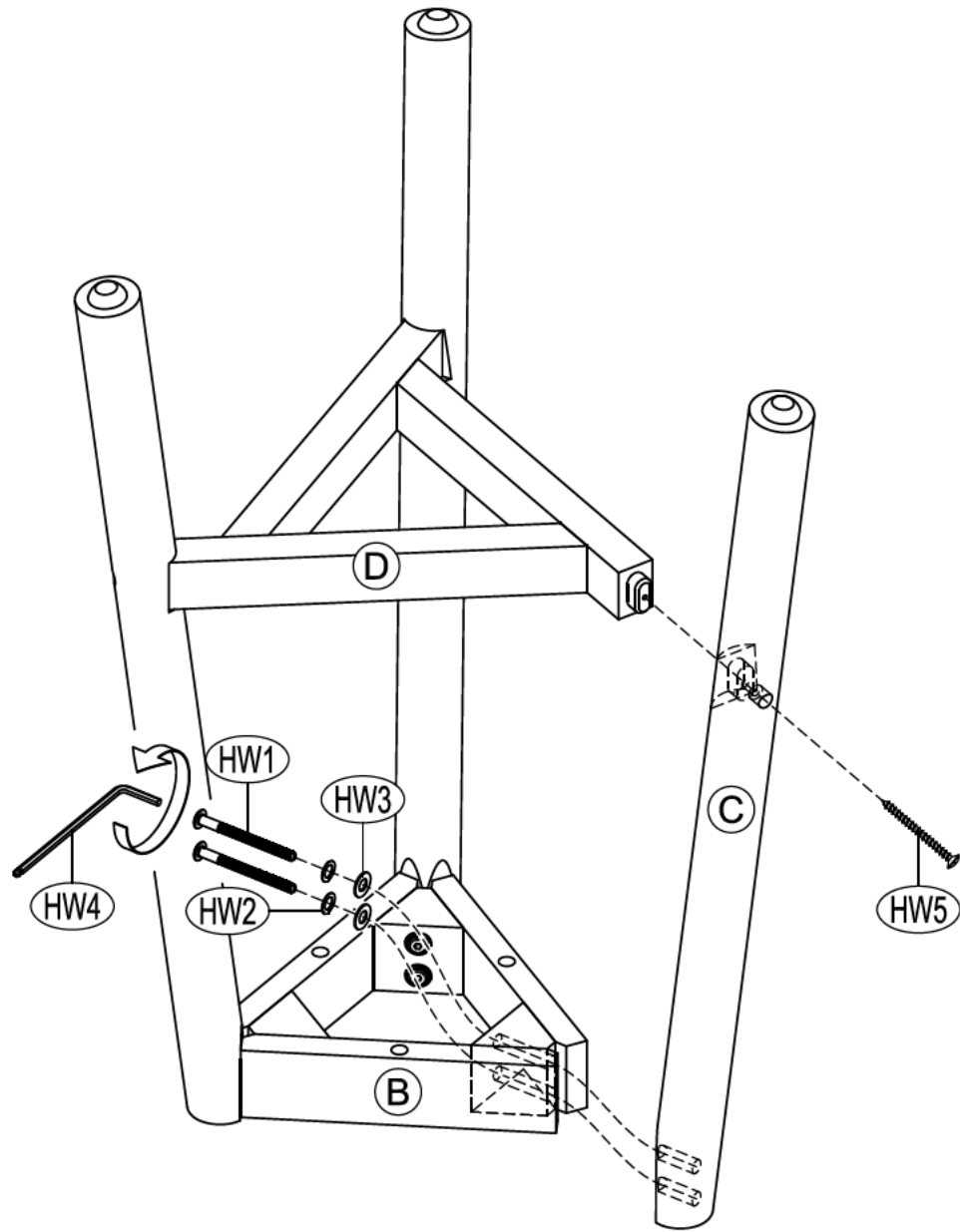
WEIGHT CAPACITY: 200 LBS
WARNING: DO NOT STAND ON THE STOOL
WARNING: DO NOT OVER TORQUE NUTS/SCREWS

PIECE	DESCRIPTION	PICTURE	QUANTITY
HW1	BOLT 6 x 1 x 70 MM		6X
HW2	SPRING WASHER		6X
HW3	FLAT WASHER		6X
HW4	ALLEN KEY		1X
HW5	SCREW 4 x 1 x 44 MM		6X
HW6	WOODEN PLUG		3X

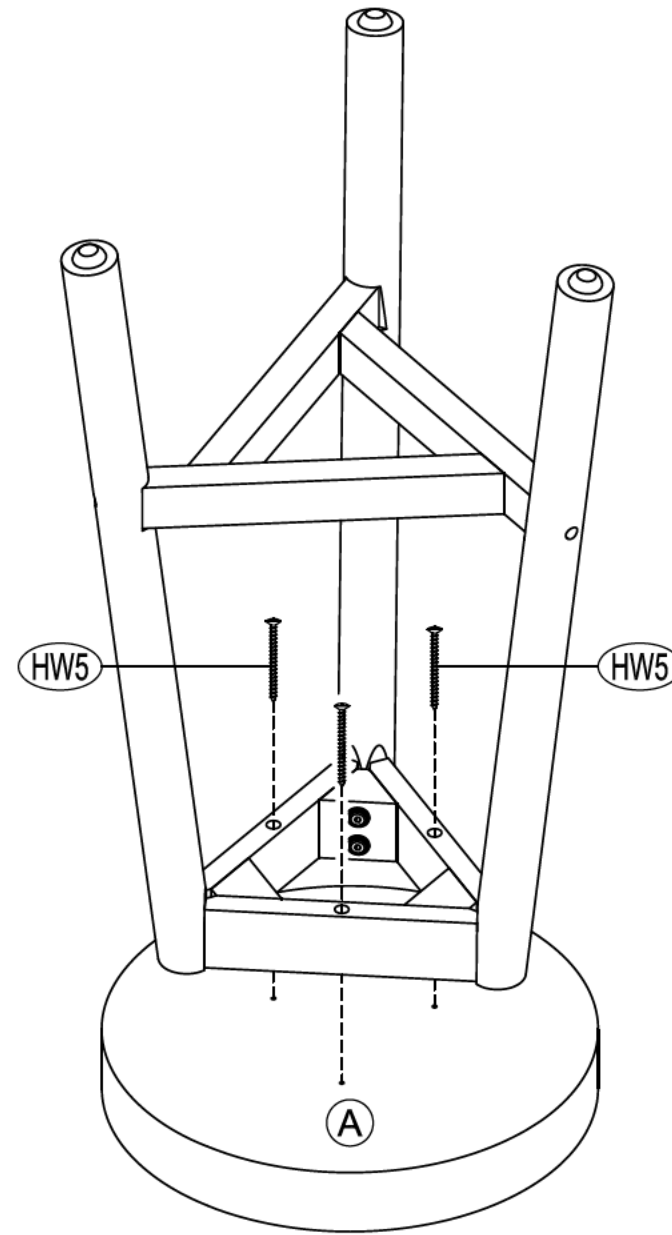
PREPARATION

- * Before beginning assembly of product, make sure all parts are present. Compare parts with package contents list and hardware contents list.
- * If any part is missing or damaged, do not attempt to assemble the product.
- * Estimated Assembly Time: 30 minutes.
- * Tools Required for Assembly : Allen Key (included), Phillips screwdriver (not included)

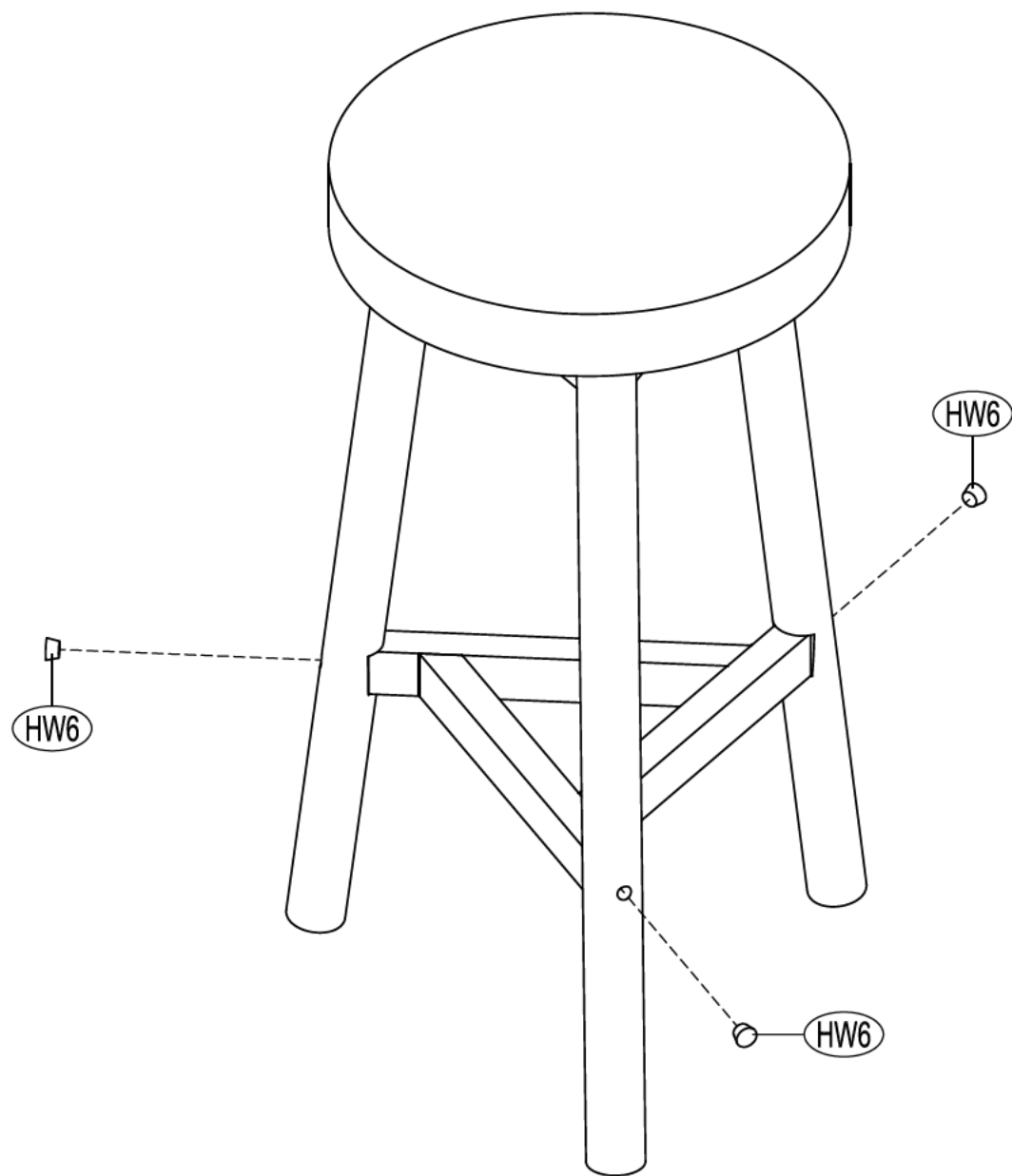




STEP 3 ATTACH LEG (C) TO APRON (B) USING BOLT 70 MM (HW1), SPRING WASHER (HW2), FLAT WASHER (HW3); TIGHTEN BOLT (HW1) USING ALLEN KEY (HW4). ATTACH LEG (C) TO STRETCHER (D) USING SCREW 44 MM (HW5).



STEP 4 ATTACH SEAT (A) TO UNIT USING SCREW 44 MM (HW5).



STEP 5 ATTACH WOODEN PLUG (HW6) TO UNIT.