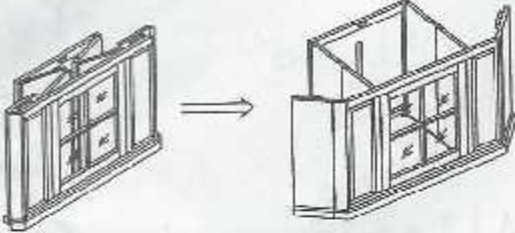
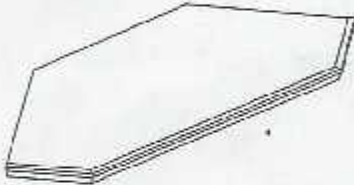




Parts List

Item	Description	Qty
A		Cabinet 1PC
B		Top Panel 1PC
C		Bottom Panel 1PC
D		Middle Adjustable Shelf 1PC