

ASSEMBLY INSTRUCSION

Dimensions: 40"H*20-1/2"D*18"L

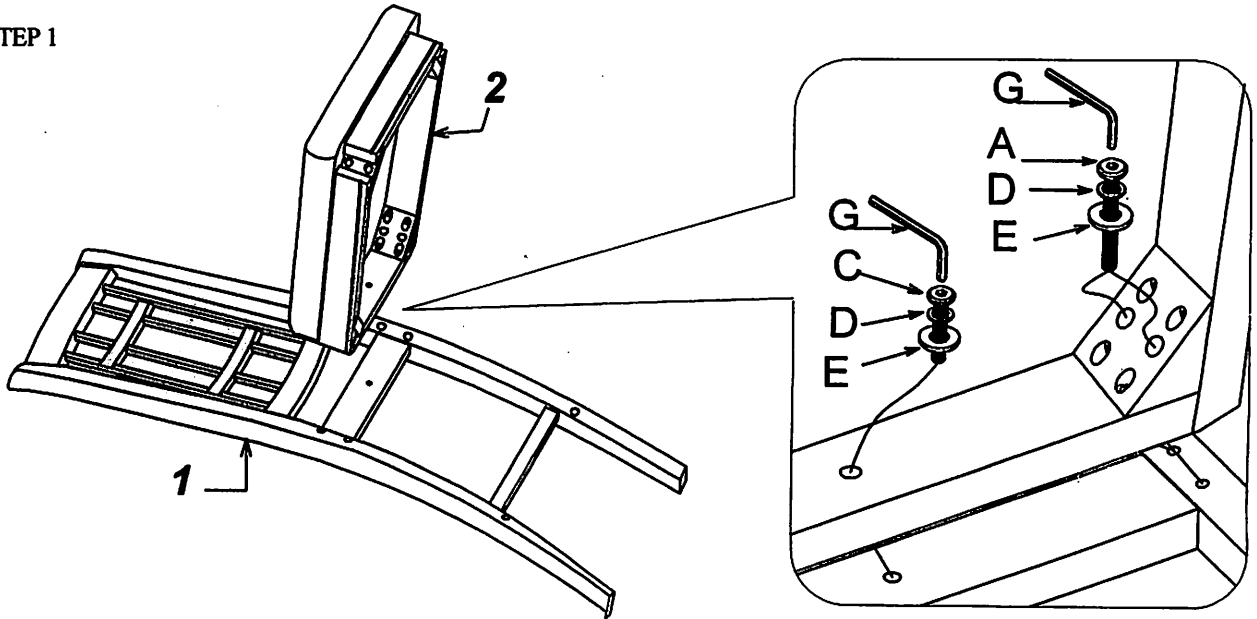
Description: Chair

Item No: F1205

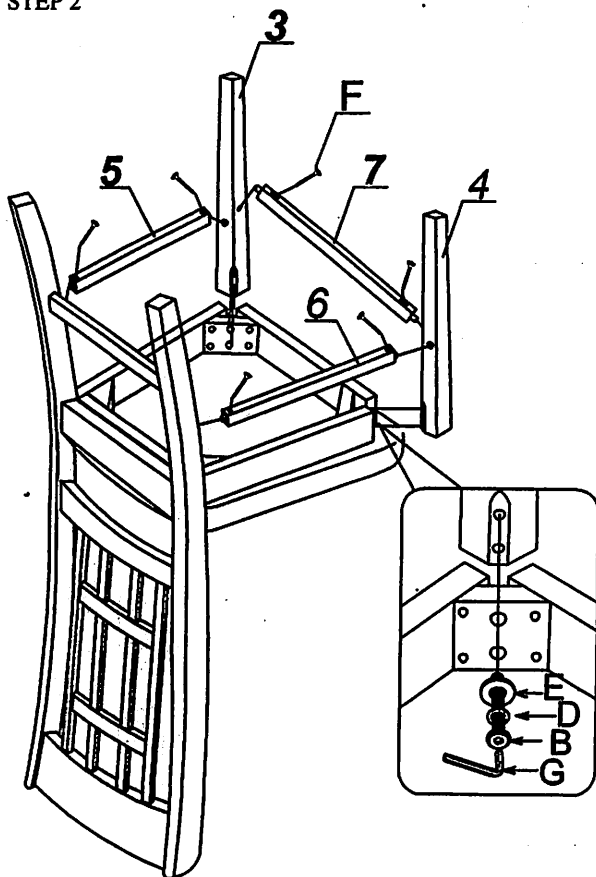
No	Description	Q'ty
1	BACK FRAME	1pc
2	SEAT FRAME	1pc
3	RIGHT FRONT LEG	1pc
4	LEFT FRONT LEG	1pc
5	RIGHT SIDE STRETCHER	1pc
6	LEFT SIDE STRETCHER	1pc
7	FRONT STRETCHER	1pc

No	Description	Q'ty
A	LONG BOLTS	4pcs
B	MIDDLE BOLT	4pcs
C	SHORT BOLT	1pcs
D	LOCK WASHER	9pcs
E	METAL WASHER	9pcs
F	ALLEN KEY	6pcs
G	WOOD SCREW	1pc

STEP 1



STEP 2



FINISH

