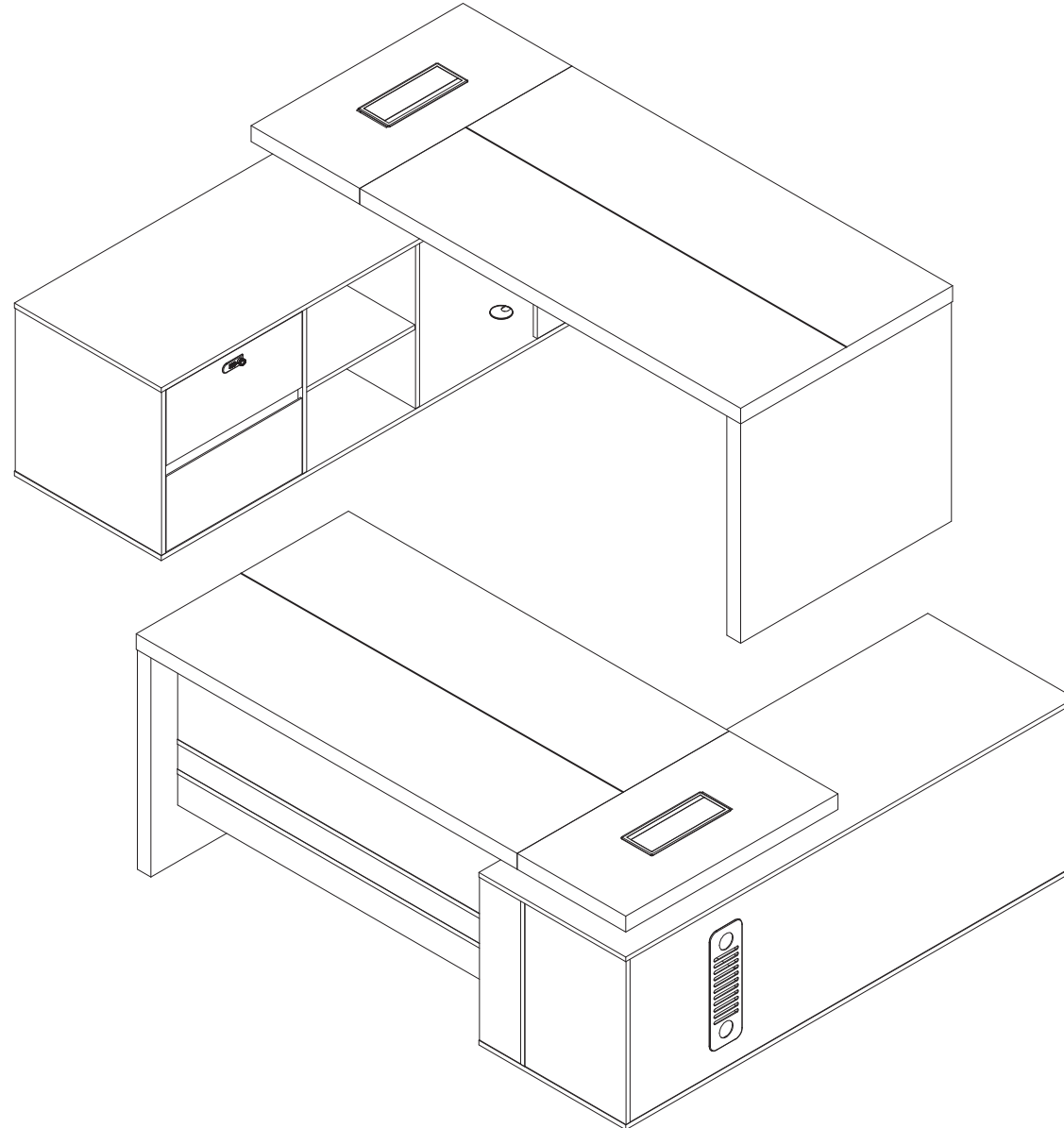
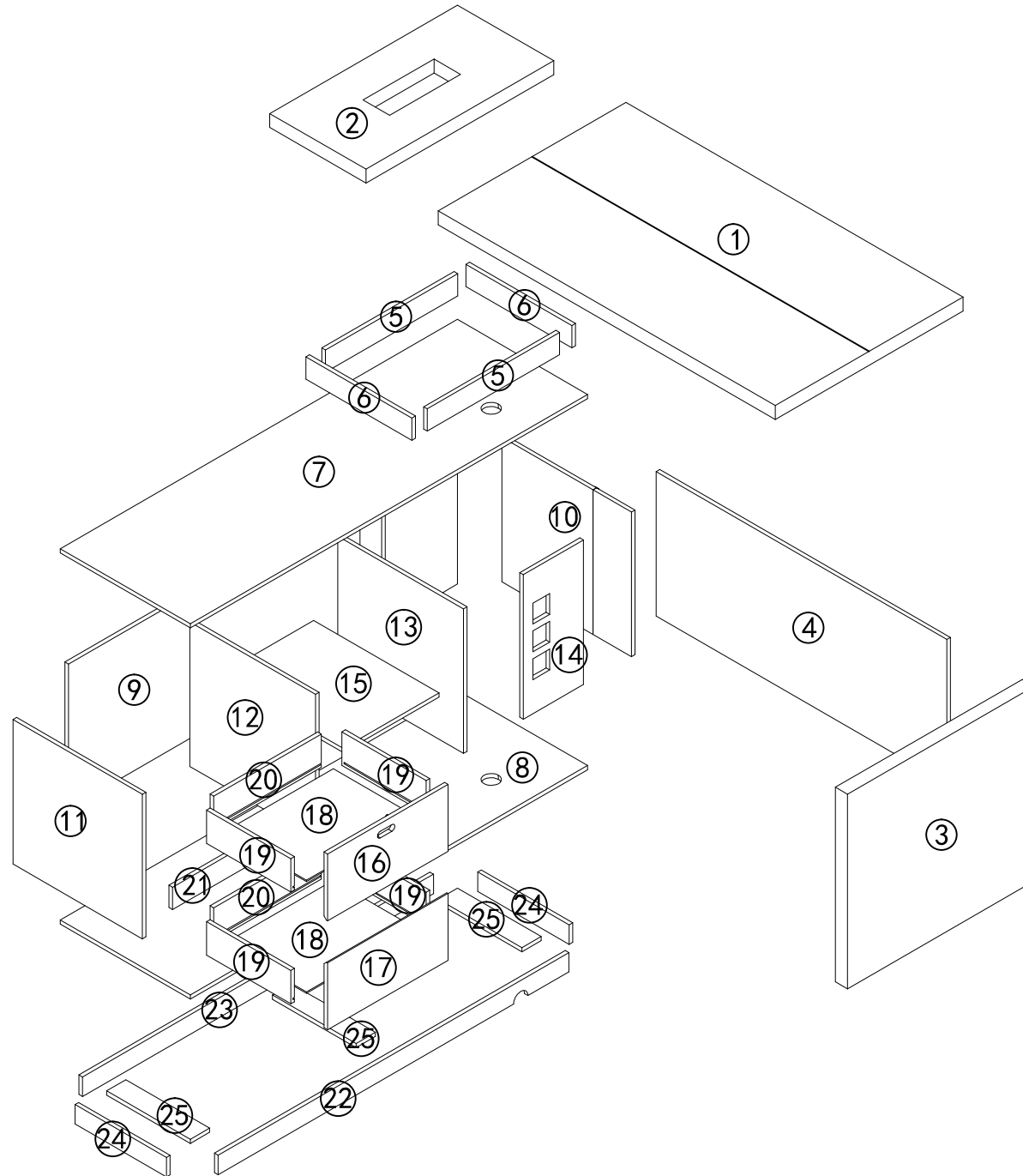


Assembly Instruction

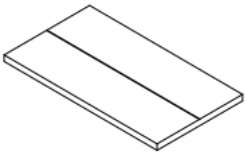
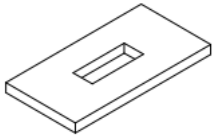
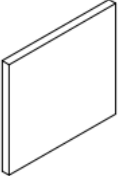
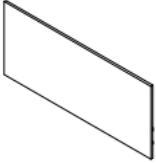
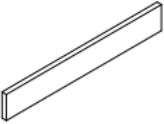
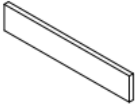
MODEL: LBZ-605-04/06-L (70.87*64.96*29.53Inch / 78.74*64.96*29.53Inch (Left Hand Return))

TIPS: Before installation, please read the assembly instructions carefully, and the most Important :Please confirm the direction of the auxiliary cabinet before installation.

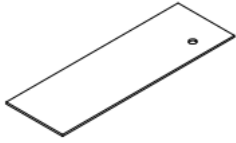
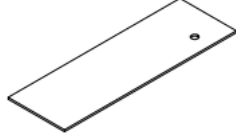
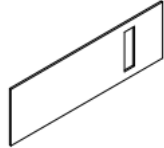
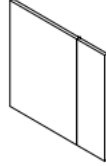
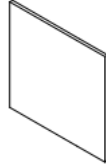
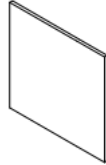




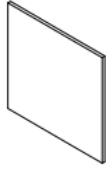
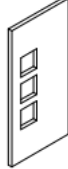
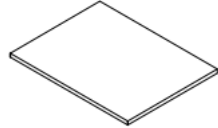
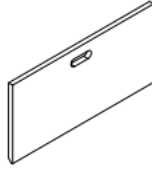
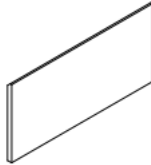
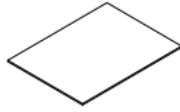
PART LIST:

LABEL	PICTURE	DESCRIPTION	QTY
1		1600*780*50mm	1PC
2		400*780*50mm	1PC
3		700*776*50mm	1PC
4		1208*520*15mm 1408*520*15mm	1PC
5		550*80*15mm	2PCS
6		440*80*15mm	2PCS

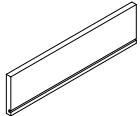
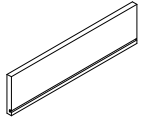
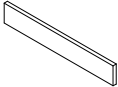
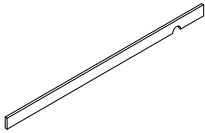
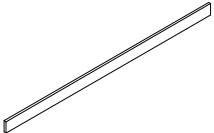
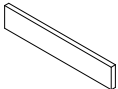
PART LIST:

LABEL	PICTURE	DESCRIPTION	QTY
7		1650*540*15mm	1PC
8		1650*540*15mm	1PC
9		1616*520*15mm	1PC
10		520*538*15mm	1PC
11		520*536*15mm	1PC
12		520*520*15mm	1PC

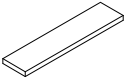
PART LIST:

LABEL	PICTURE	DESCRIPTION	QTY
13		520*520*15mm	1PC
14		520*250*15mm	1PC
15		398*516*15mm	1PC
16		500*240*15mm	1PC
17		500*240*15mm	1PC
18		458*395*4mm	2PCS

PART LIST:

LABEL	PICTURE	DESCRIPTION	QTY
19		400*150*15mm	4PCS
20		449*150*15mm	2PCS
21		504*80*15mm	1PC
22		1460*70*15mm	1PC
23		1460*70*15mm	1PC
24		380*70*15mm	2PCS

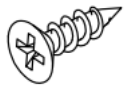
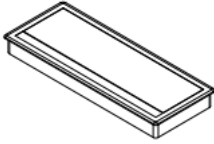
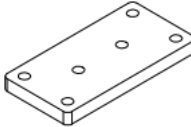
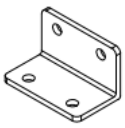


PART LIST:

LABEL	PICTURE	DESCRIPTION	QTY
25		350*70*15mm	3PCS

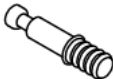



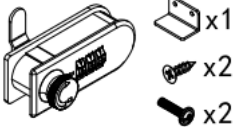
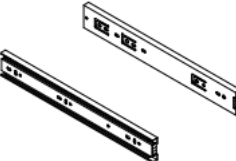
PART LIST:

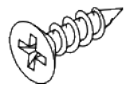
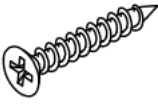
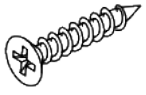
LABEL	PICTURE	DESCRIPTION	QTY

HARDWARE LIST:



LABEL	PICTURE	DESCRIPTION	QTY
A		SCREW (M4*16)	20PCS
B		WIRE BOX (295*110)	1PC
C		METAL PLATE (58*29)	2PCS
D		CORNER BRACKET (34*20*20)	2PCS
F		HEAT SPREUDER (380*120)	1PC
F		SHELF SUPPORT (22*13*10)	4PCS

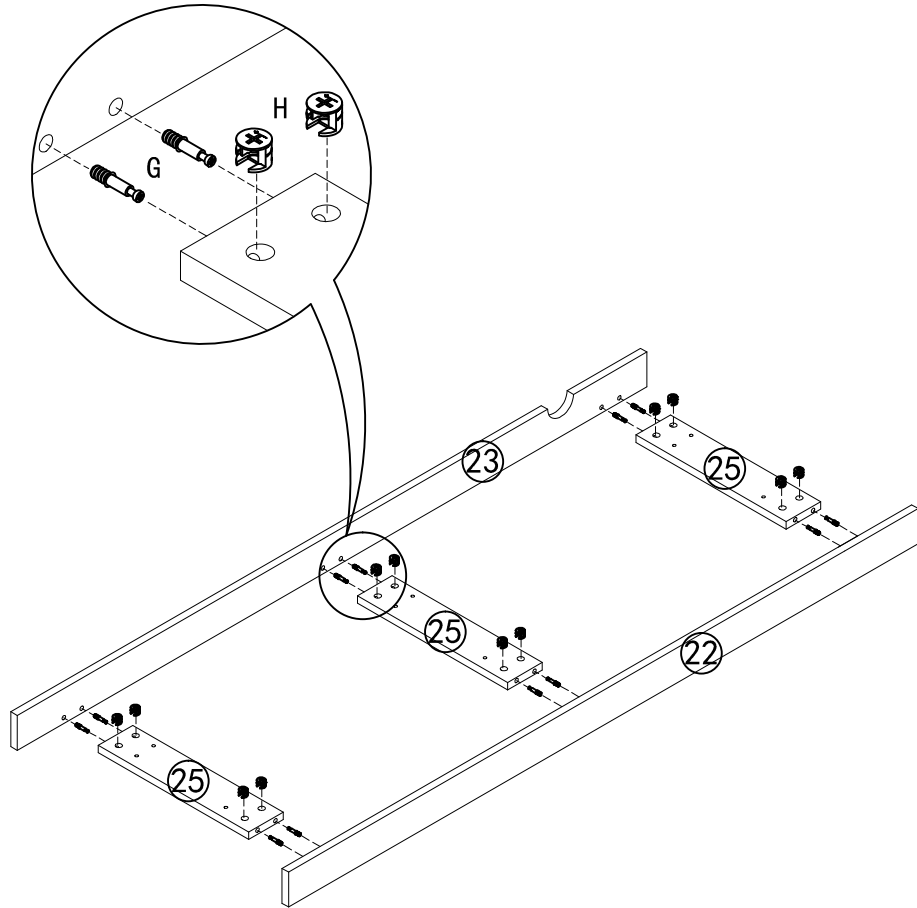
HARDWARE LIST:

LABEL	PICTURE	DESCRIPTION	QTY
G		TWO-IN-ONE SCREW (6*40)	86PCS
H		TWO-IN-ONE SCREW (15*10)	86PCS
I		WOOD PLUG (ø8*30)	24PCS
J		WIRE BOX ø60	24PCS
K		COMBINATION LOCK (75*25)	1PC
L		SLIDE 14" (L350mm)	2PCS



LABEL	PICTURE	DESCRIPTION	QTY
M		SCREW (M3.5*12)	24PCS
N		SCREW (M3.5*35)	8PCS
O		SCREW (M4*25)	12PCS

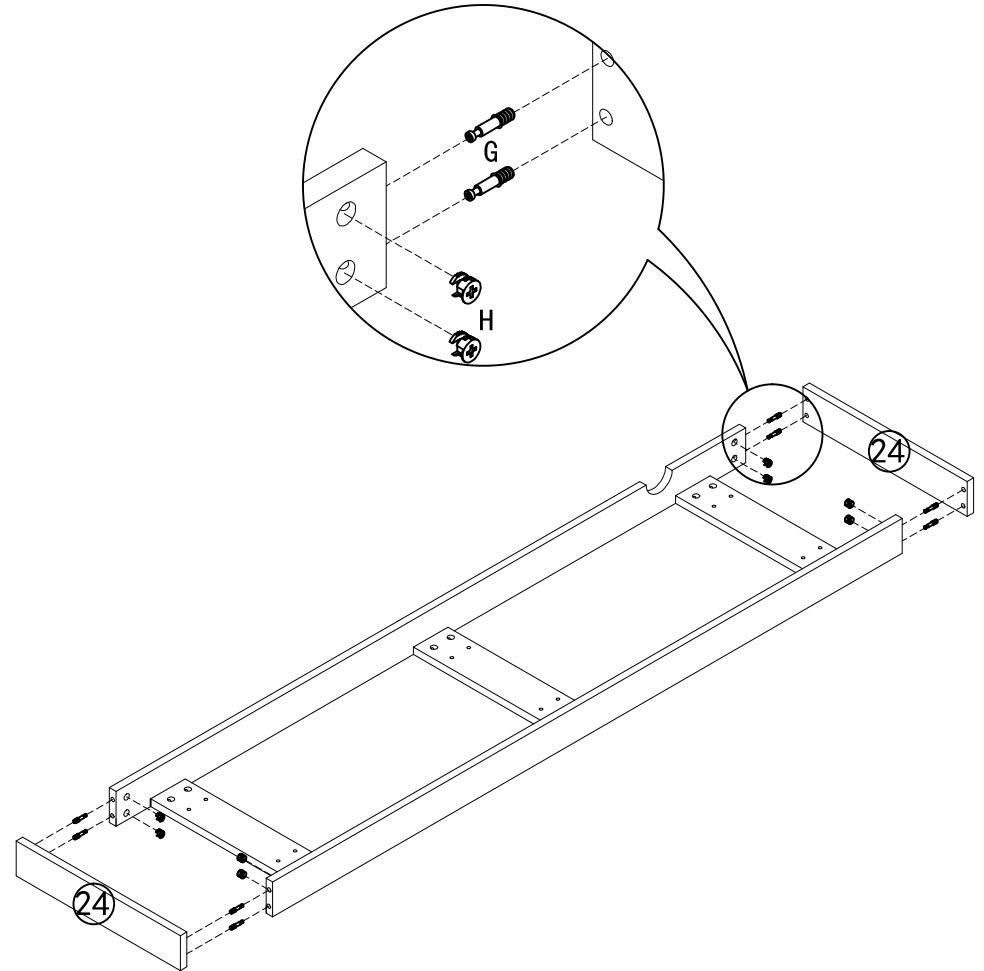
STEP 1

LABEL	PICTURE	QTY
G		12PCS
H		12PCS





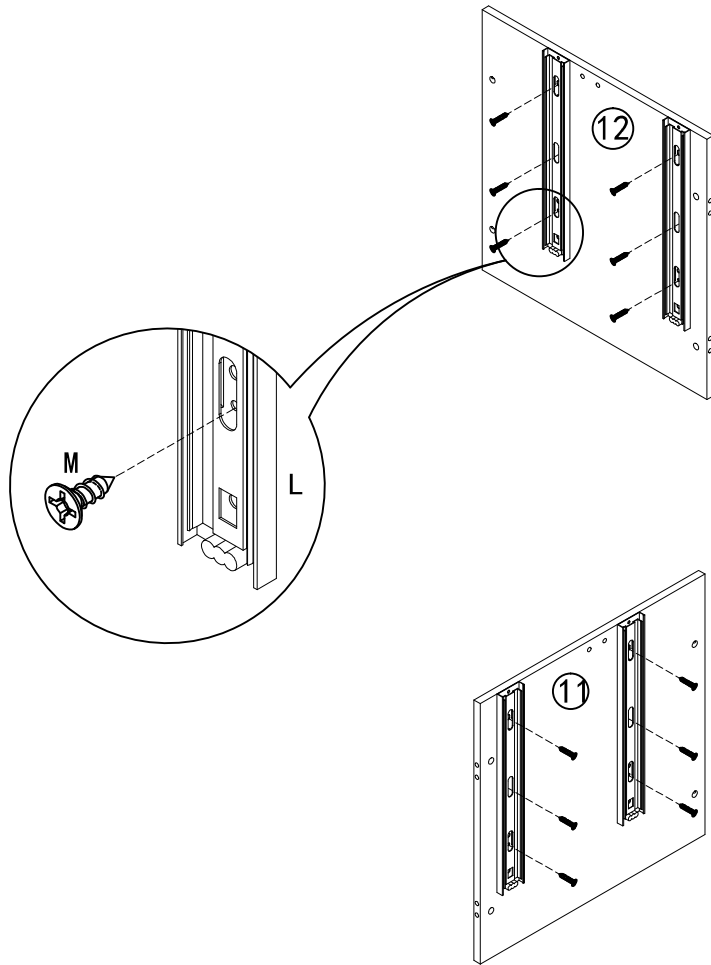
STEP 2

LABEL	PICTURE	QTY
G		8PCS
H		8PCS





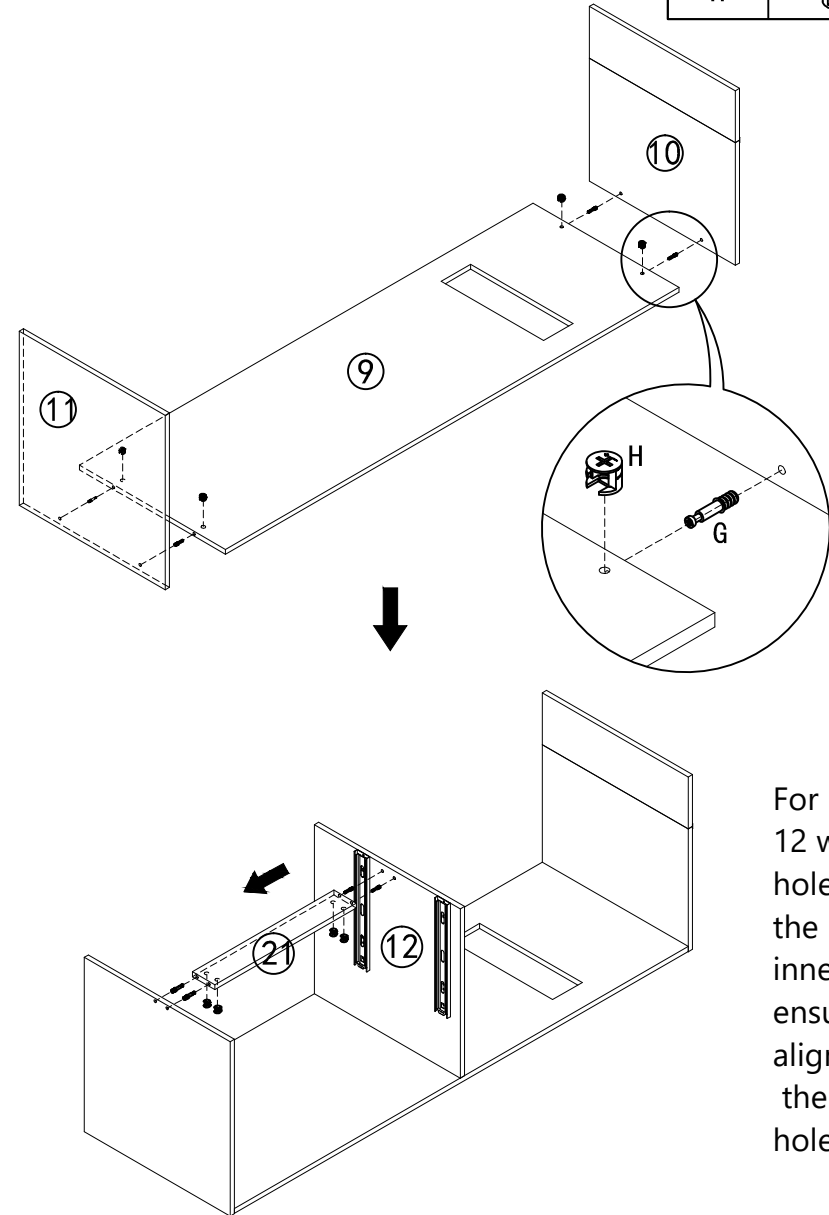
STEP 3

LABEL	PICTURE	QTY
L		2PCS
M	 (M3, 5*12)	12PCS



STEP 4




LABEL	PICTURE	QTY
G		8PCS
H		8PCS



For Plate No. 12 with guide holes, install the rails on its inner side and ensure alignment with the guide holes.

STEP 5

Identify the front of the auxiliary cabinet by the decorative strip on its front panel.

LABEL	PICTURE	QTY
I		24PCS
G		28PCS
H		28PCS

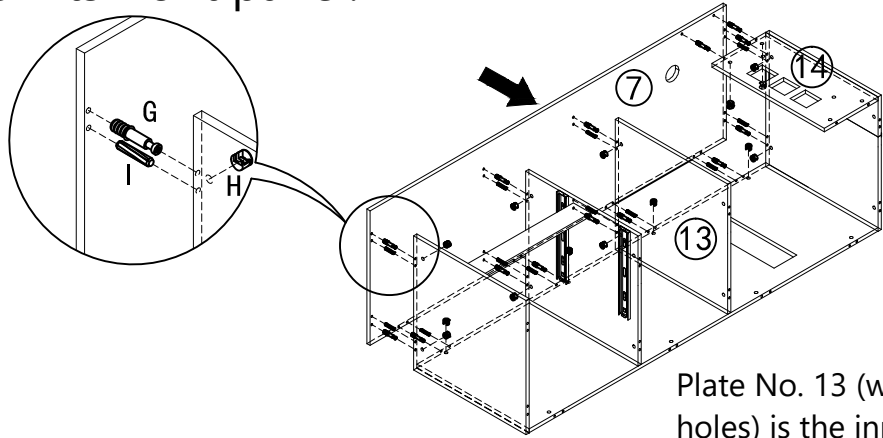
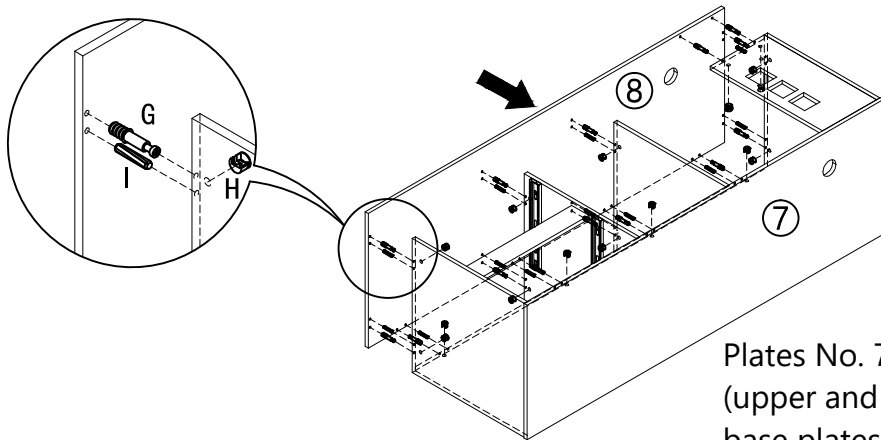




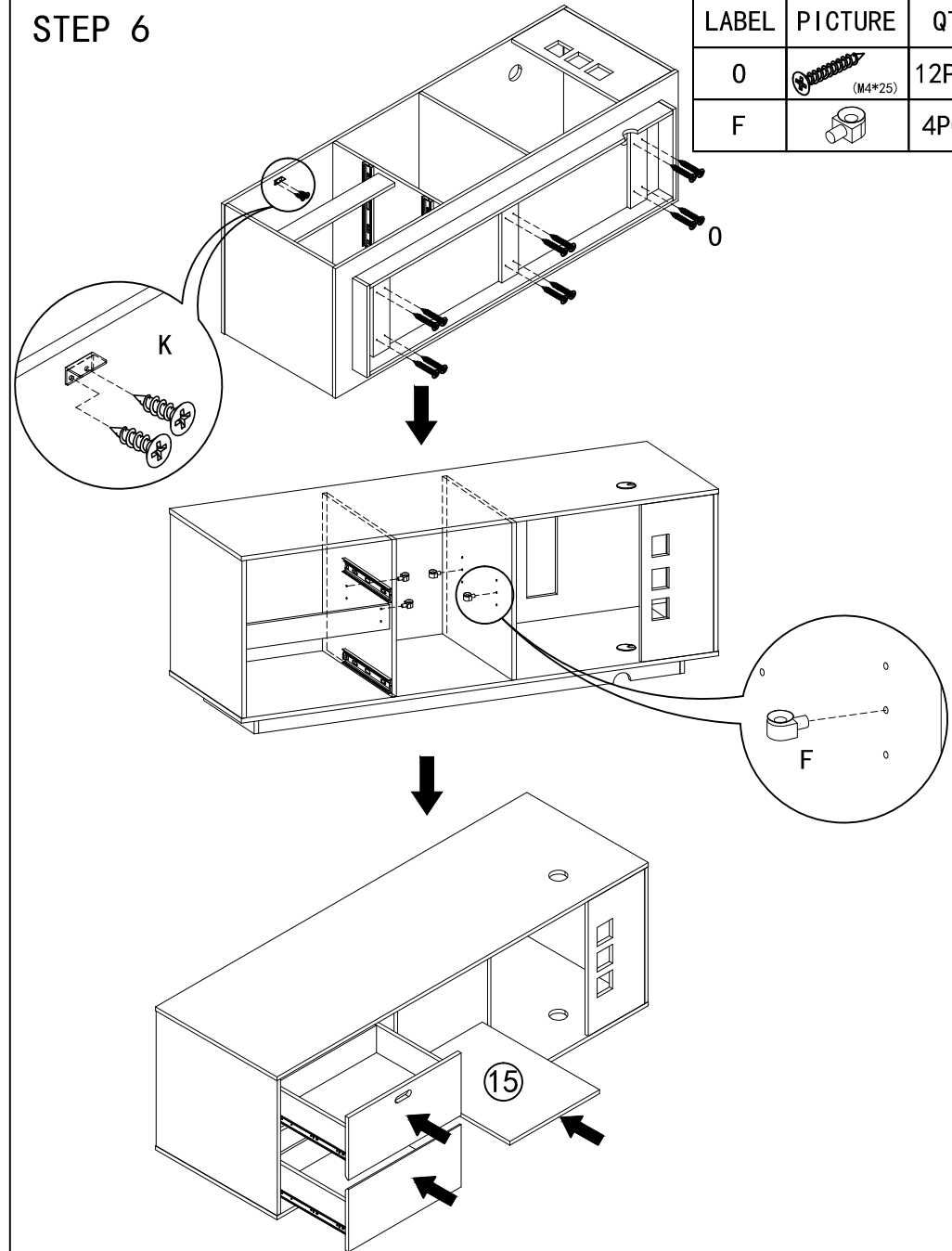
Plate No. 13 (with holes) is the inner panel, on which the movable shelf shall be placed.






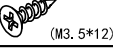
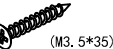
Plates No. 7 and 8 (upper and lower base plates) are interchangeable.

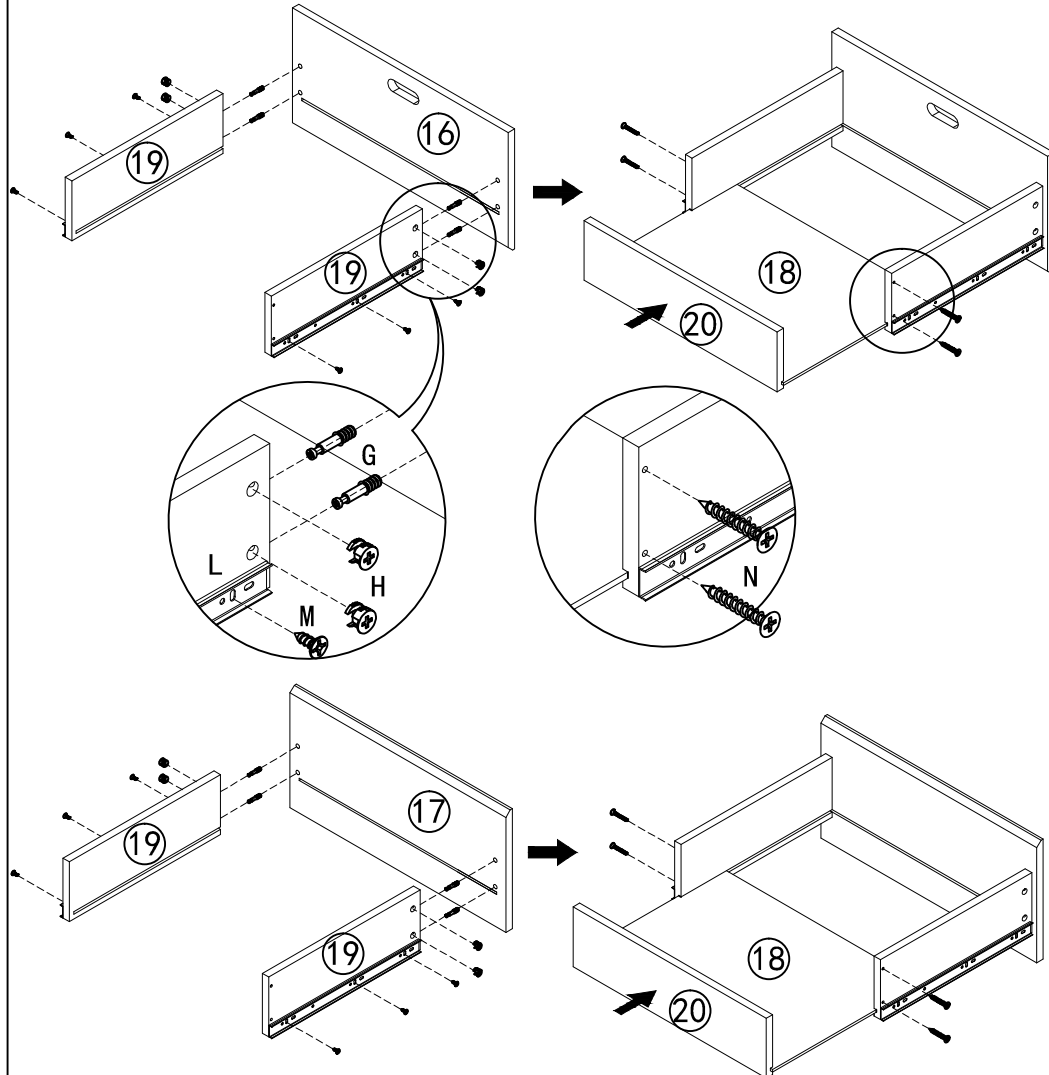
STEP 6

LABEL	PICTURE	QTY
O		12PCS
F		4PCS



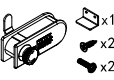


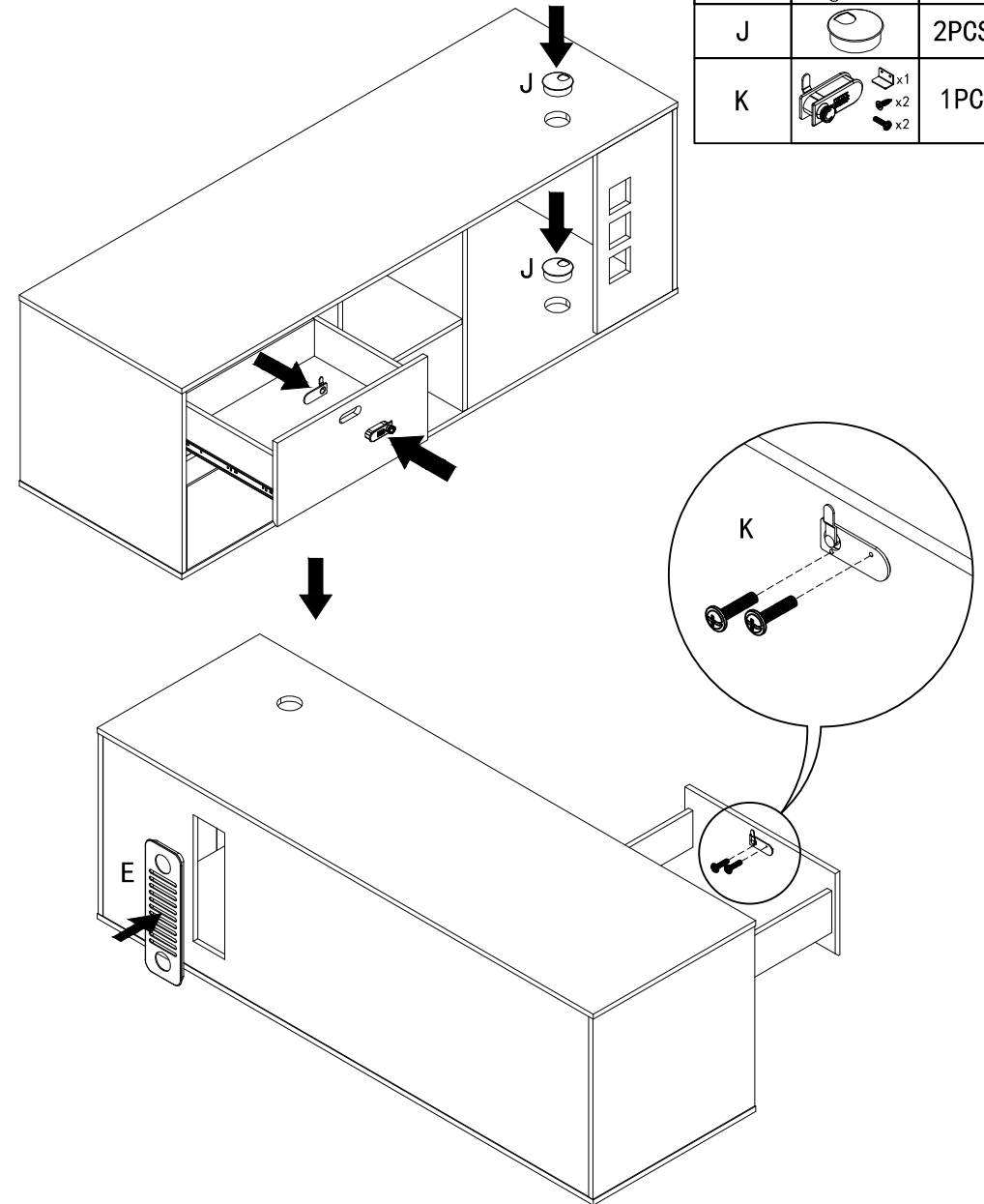
STEP 7

LABEL	PICTURE	QTY	LABEL	PICTURE	QTY
G		8PCS	L		2PCS
H		8PCS	M		12PCS
			N		8PCS

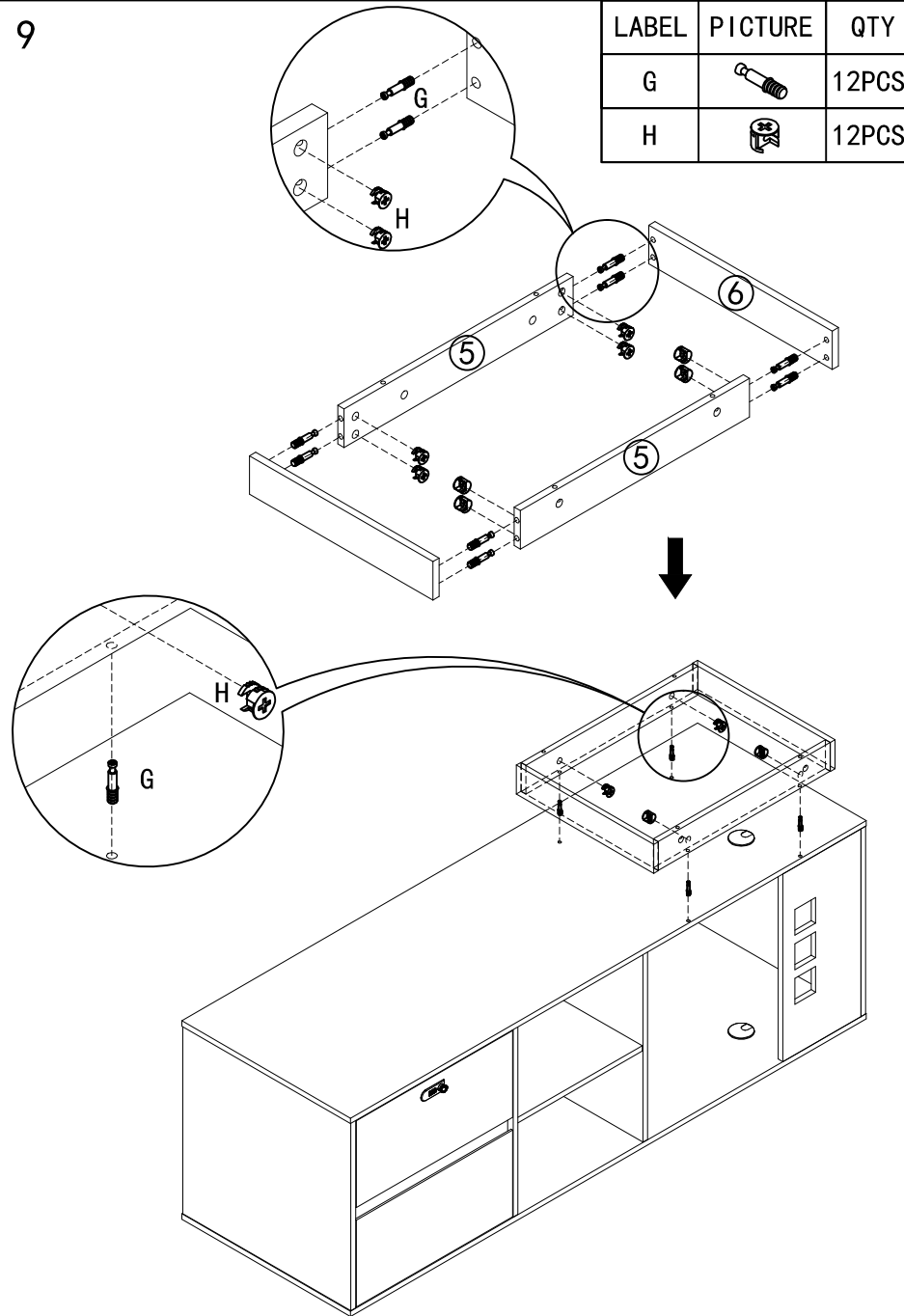


STEP 8

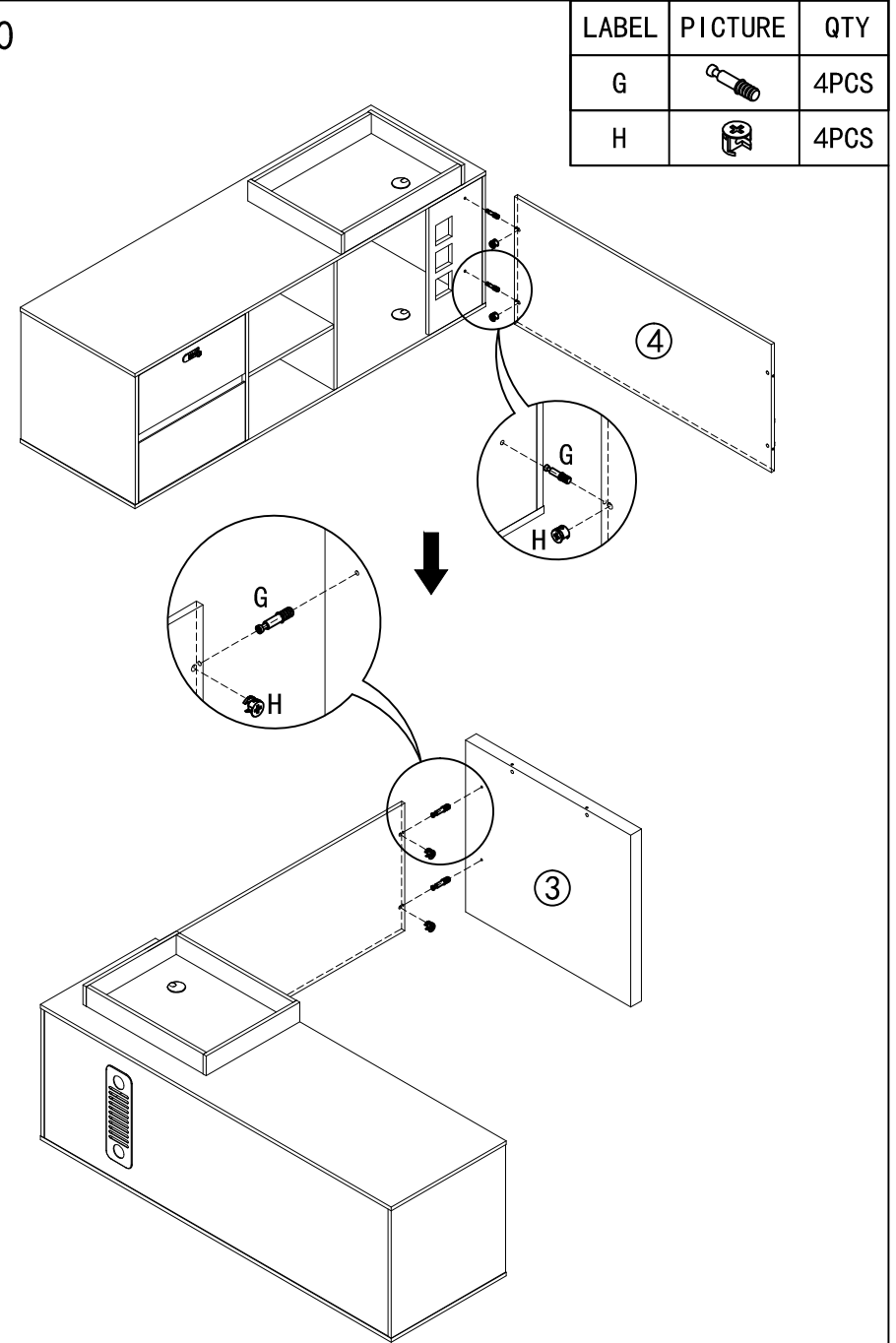
LABEL	PICTURE	QTY
E		1PC
J		2PCS
K		1PC



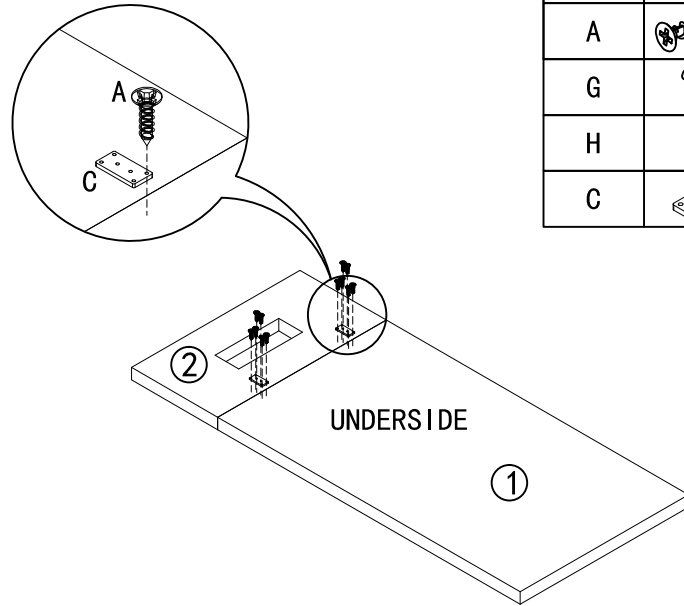
STEP 9



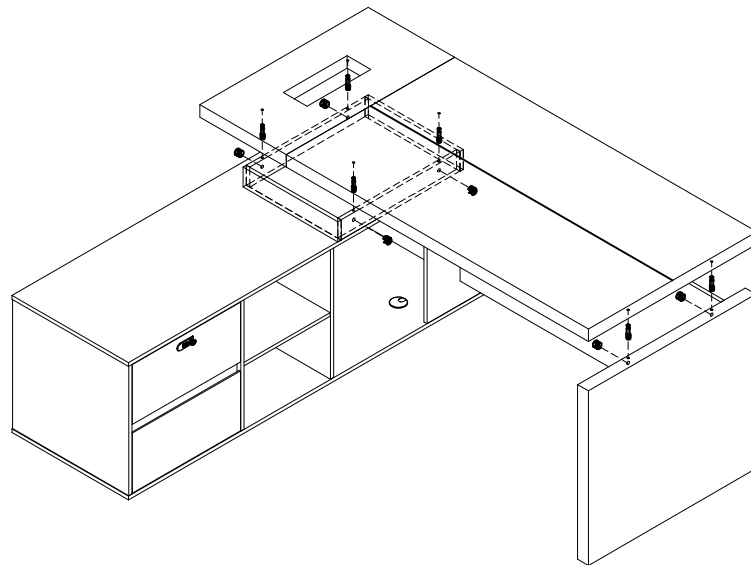
STEP 10



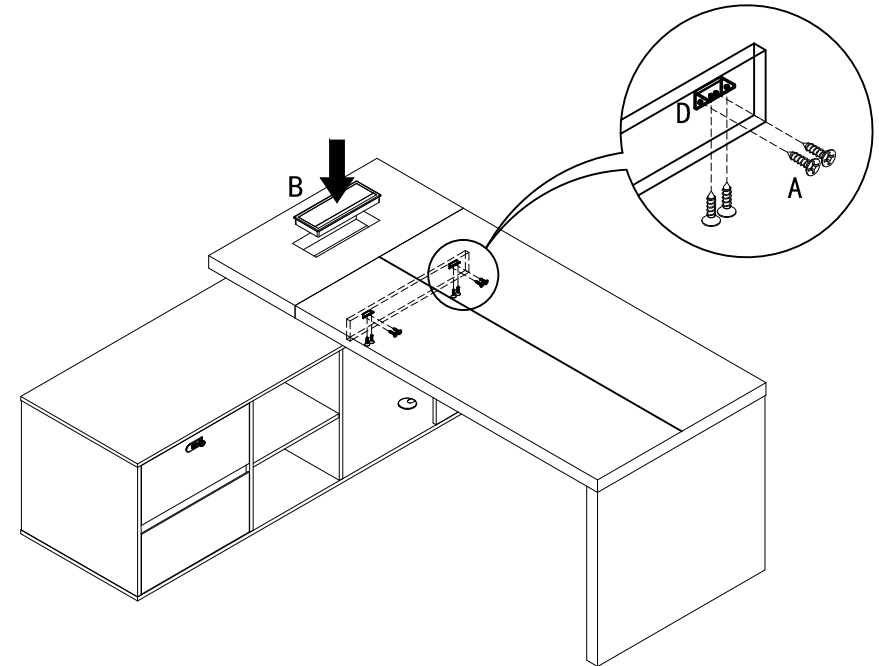
STEP 11



LABEL	PICTURE	QTY
A	(M4*16)	12PCS
G		6PCS
H		6PCS
C		2PCS



STEP 12

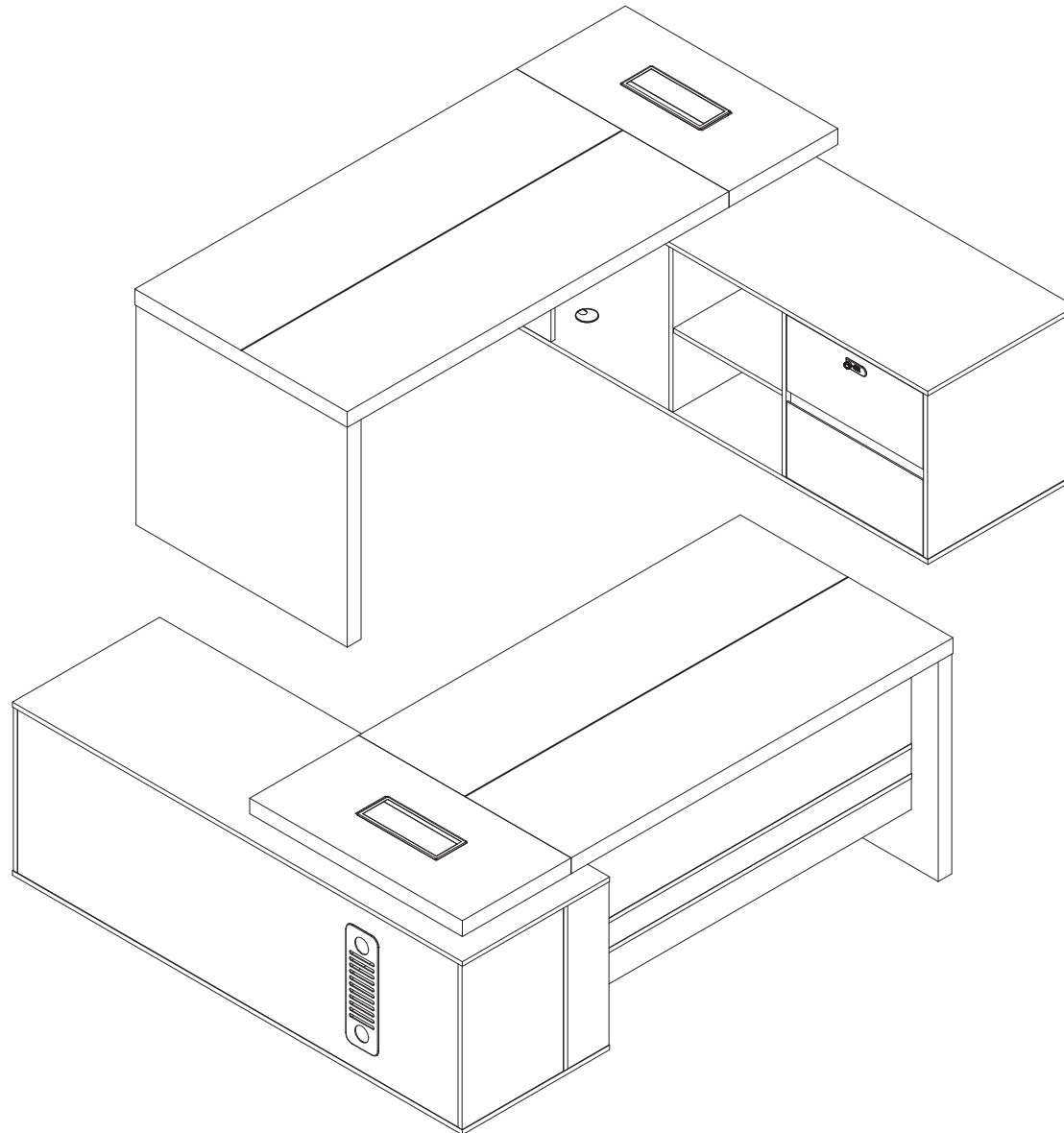


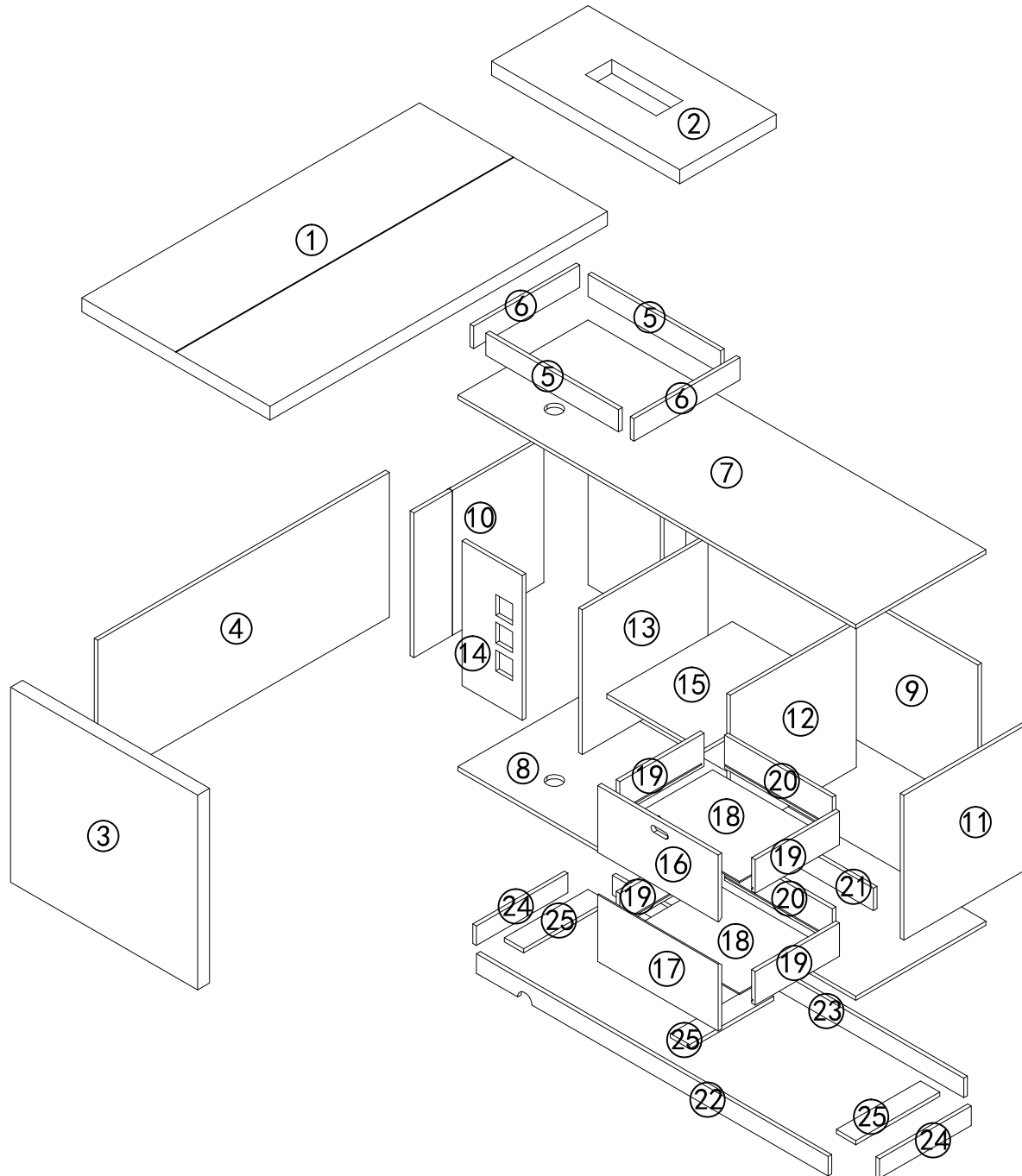
LABEL	PICTURE	QTY
A	(M4*16)	8PCS
B		1PC
D		2PCS

Assembly Instruction

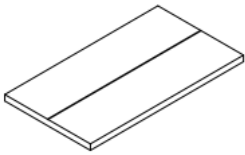
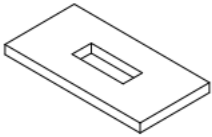
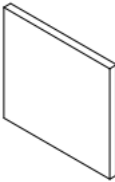
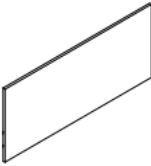
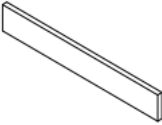
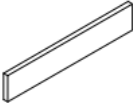
MODEL: LBZ-605-04/06-R (70.87*64.96*29.53Inch / 78.74*64.96*29.53Inch (Right Hand Return))

TIPS: Before installation, please read the assembly instructions carefully, and the most Important :Please confirm the direction of the auxiliary cabinet before installation.

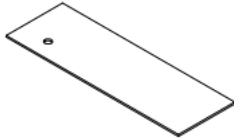
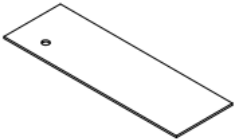
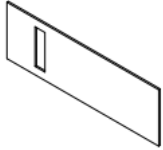
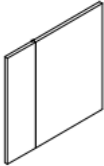
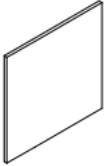
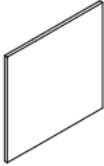




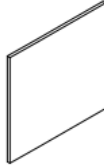
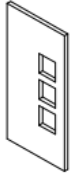
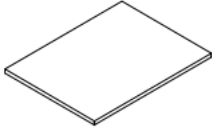
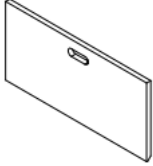
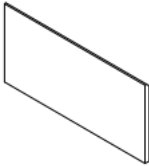
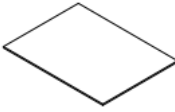
PART LIST:

LABEL	PICTURE	DESCRIPTION	QTY
1		1600*780*50mm	1PC
2		400*780*50mm	1PC
3		700*776*50mm	1PC
4		1208*520*15mm 1408*520*15mm	1PC
5		550*80*15mm	2PCS
6		440*80*15mm	2PCS

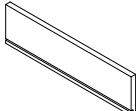
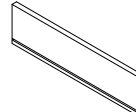
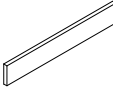
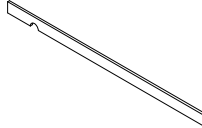
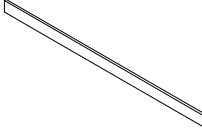
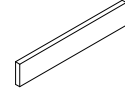
PART LIST:

LABEL	PICTURE	DESCRIPTION	QTY
7		1650*540*15mm	1PC
8		1650*540*15mm	1PC
9		1616*520*15mm	1PC
10		520*538*15mm	1PC
11		520*536*15mm	1PC
12		520*520*15mm	1PC

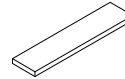
PART LIST:

LABEL	PICTURE	DESCRIPTION	QTY
13		520*520*15mm	1PC
14		520*250*15mm	1PC
15		398*516*15mm	1PC
16		500*240*15mm	1PC
17		500*240*15mm	1PC
18		458*395*4mm	2PCS

PART LIST:

LABEL	PICTURE	DESCRIPTION	QTY
19		400*150*15mm	4PCS
20		449*150*15mm	2PCS
21		504*80*15mm	1PC
22		1460*70*15mm	1PC
23		1460*70*15mm	1PC
24		380*70*15mm	2PCS


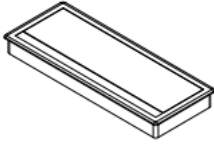
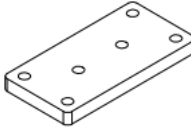
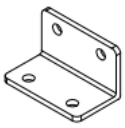


PART LIST:

LABEL	PICTURE	DESCRIPTION	QTY
25		350*70*15mm	3PCS

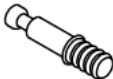



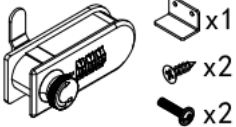
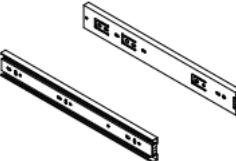
PART LIST:

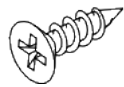
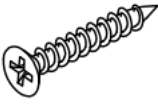
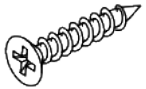
LABEL	PICTURE	DESCRIPTION	QTY

HARDWARE LIST:



LABEL	PICTURE	DESCRIPTION	QTY
A		SCREW (M4*16)	20PCS
B		WIRE BOX (295*110)	1PC
C		METAL PLATE (58*29)	2PCS
D		CORNER BRACKET (34*20*20)	2PCS
F		HEAT SPREUDER (380*120)	1PC
F		SHELF SUPPORT (22*13*10)	4PCS

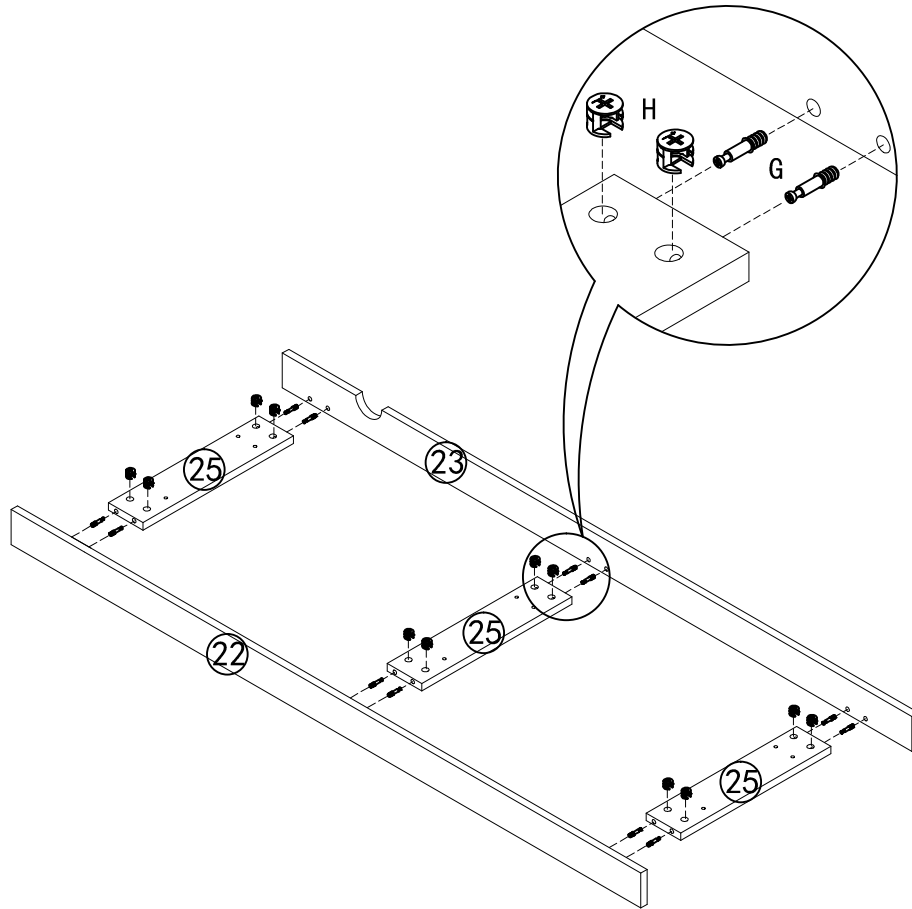
HARDWARE LIST:

LABEL	PICTURE	DESCRIPTION	QTY
G		TWO-IN-ONE SCREW (6*40)	86PCS
H		TWO-IN-ONE SCREW (15*10)	86PCS
I		WOOD PLUG (ø8*30)	24PCS
J		WIRE BOX ø60	24PCS
K		COMBINATION LOCK (75*25)	1PC
L		SLIDE 14" (L350mm)	2PCS



LABEL	PICTURE	DESCRIPTION	QTY
M		SCREW (M3.5*12)	24PCS
N		SCREW (M3.5*35)	8PCS
O		SCREW (M4*25)	12PCS

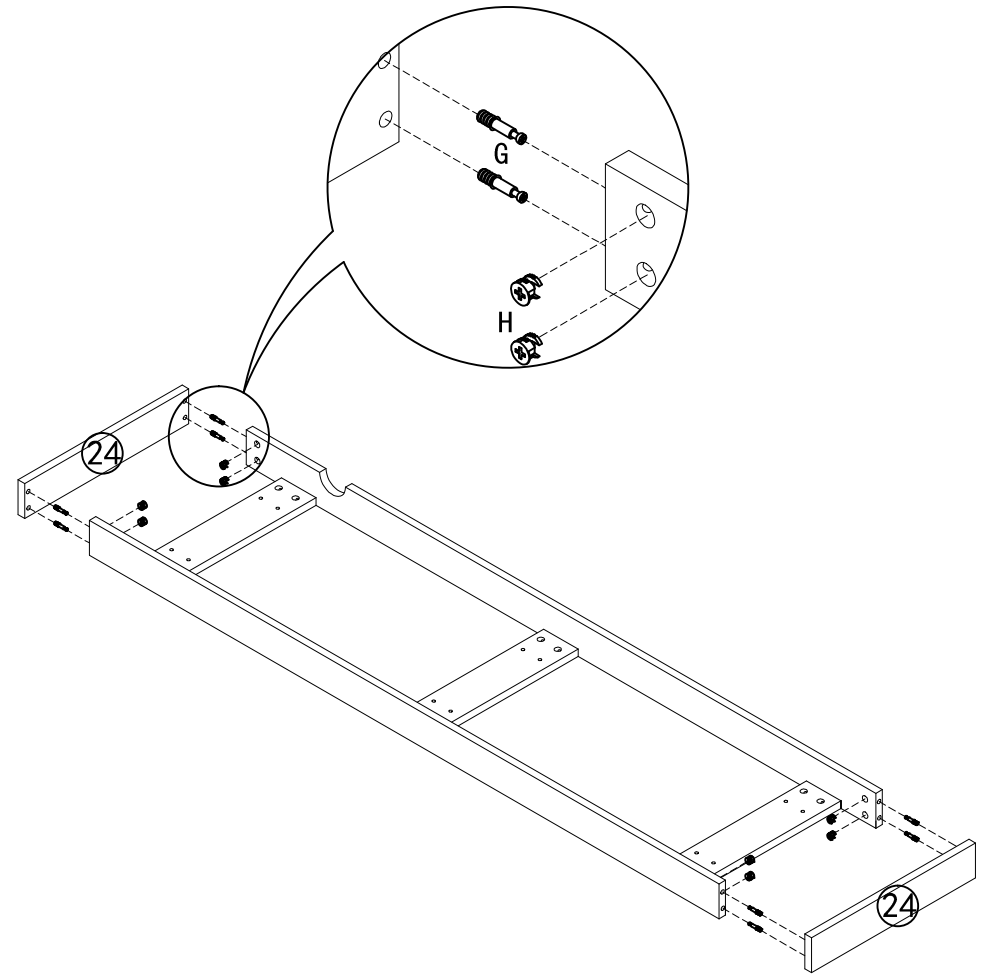
STEP 1

LABEL	PICTURE	QTY
G		12PCS
H		12PCS





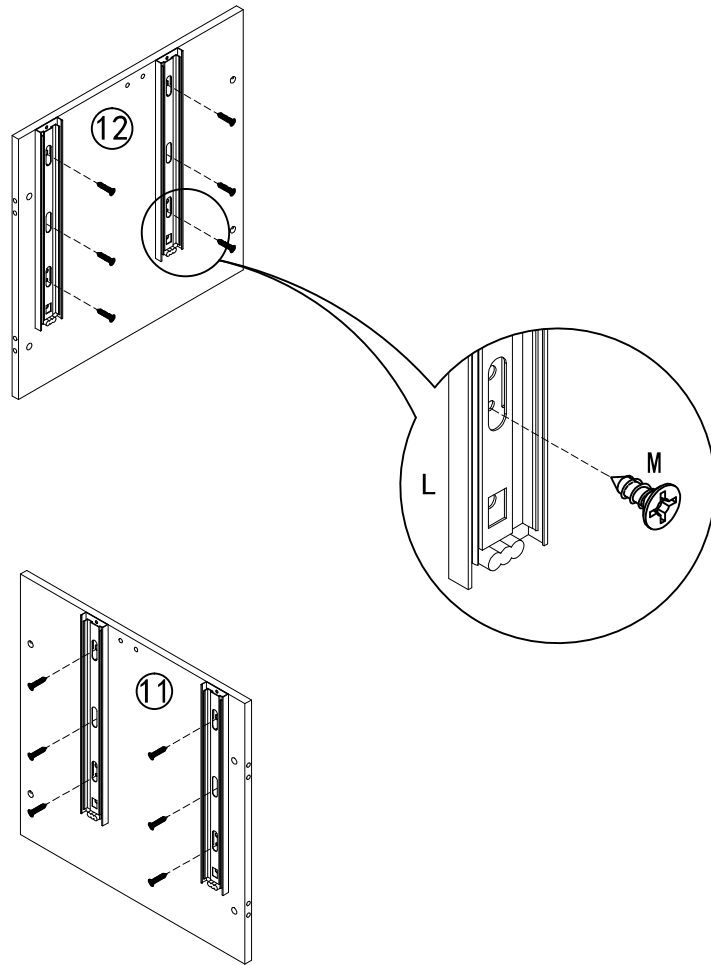
STEP 2

LABEL	PICTURE	QTY
G		8PCS
H		8PCS





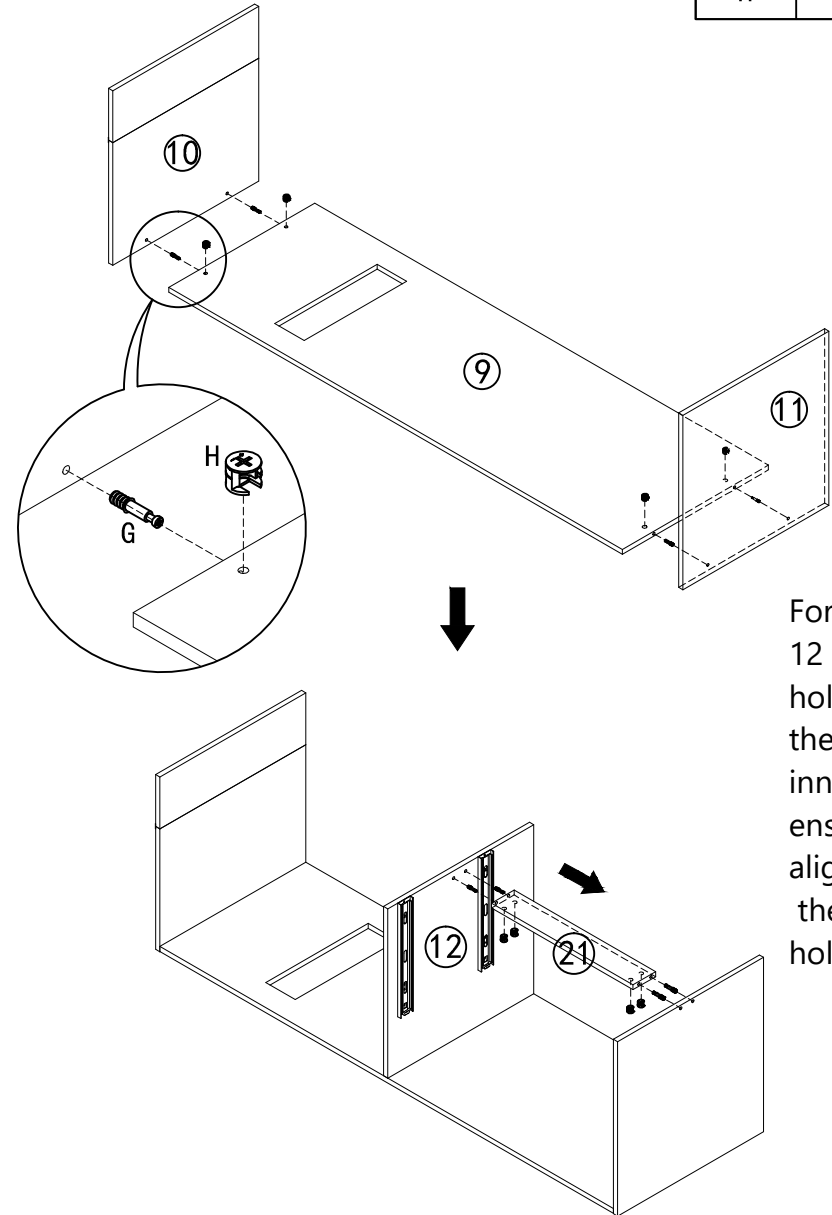
STEP 3

LABEL	PICTURE	QTY
L		2PCS
M		12PCS



STEP 4




LABEL	PICTURE	QTY
G		8PCS
H		8PCS



For Plate No. 12 with guide holes, install the rails on its inner side and ensure alignment with the guide holes.

STEP 5

Identify the front of the auxiliary cabinet by the decorative strip on its front panel.

LABEL	PICTURE	QTY
I		24PCS
G		28PCS
H		28PCS

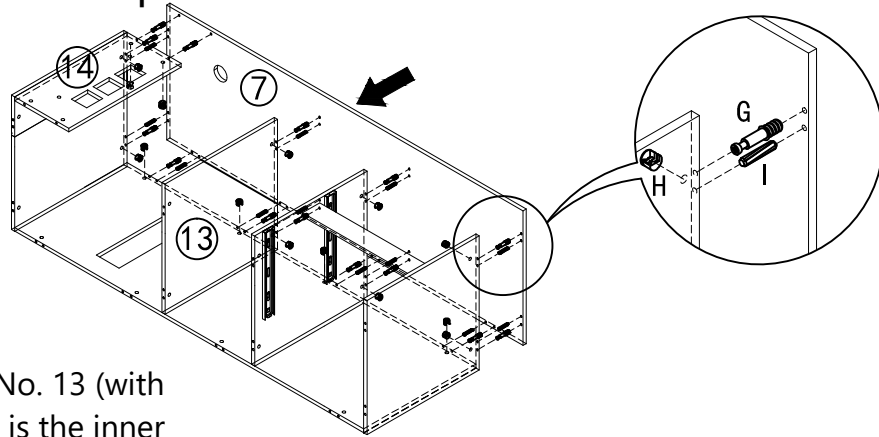
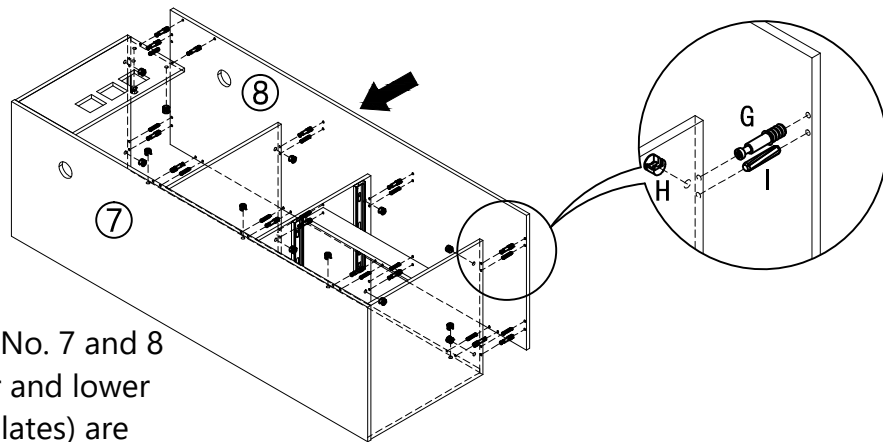




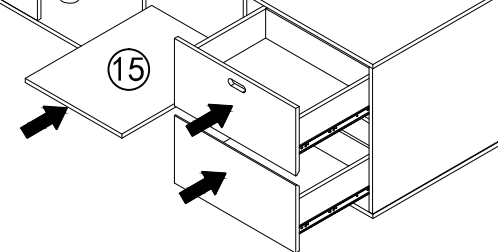
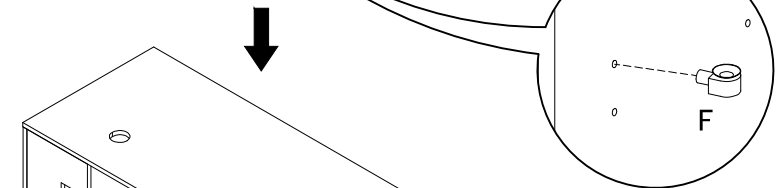
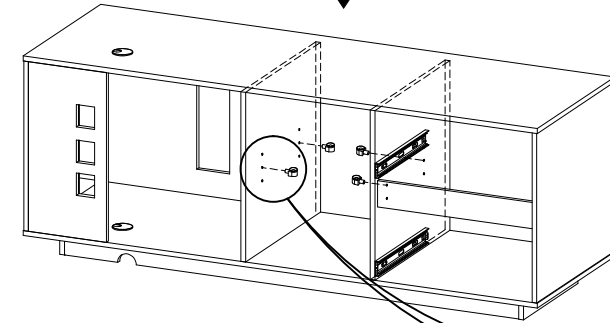
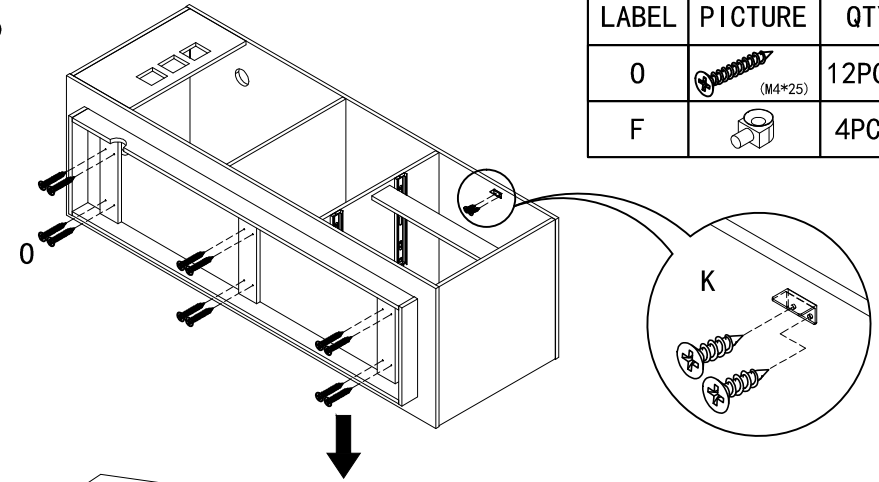
Plate No. 13 (with holes) is the inner panel, on which the movable shelf shall be placed.






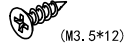
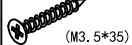
Plates No. 7 and 8 (upper and lower base plates) are interchangeable.

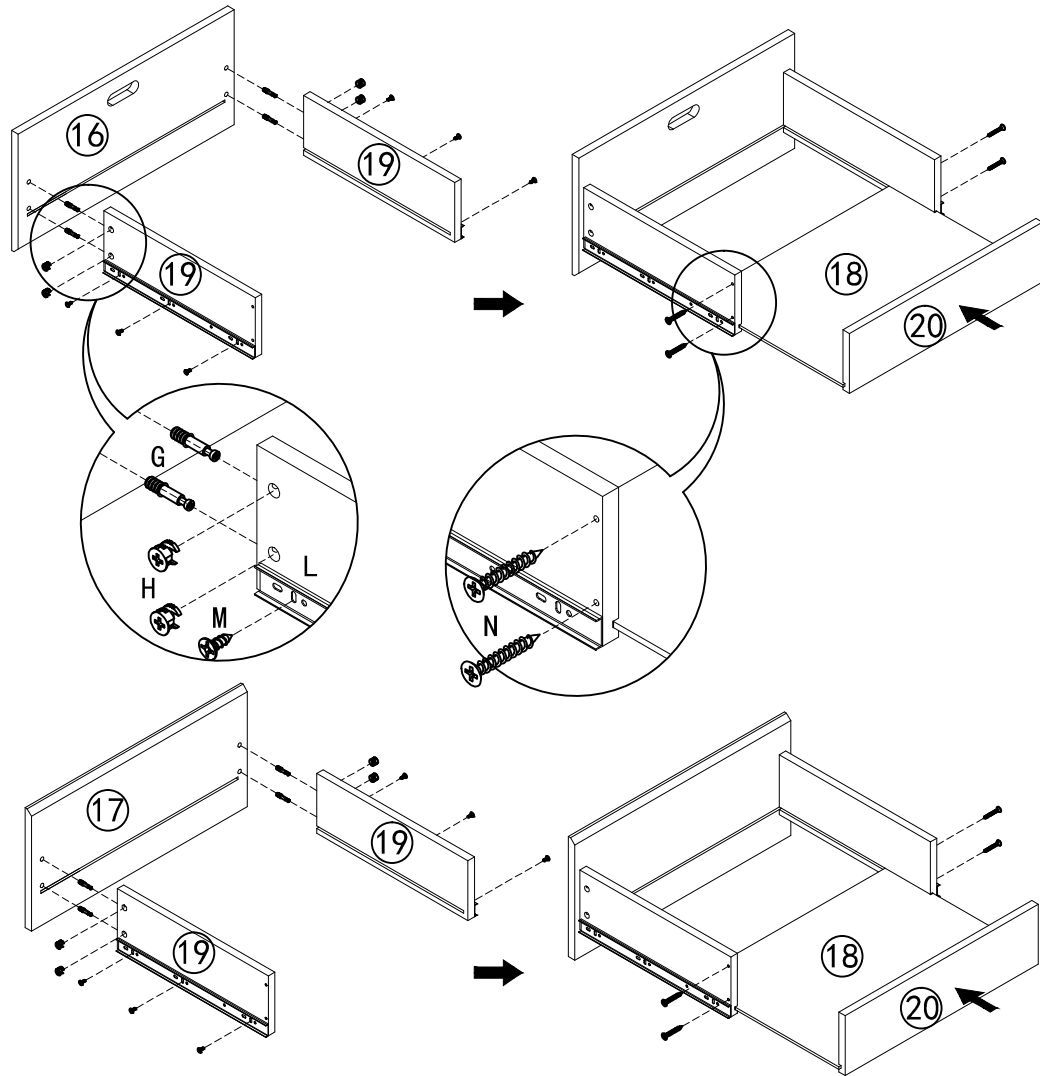
STEP 6

LABEL	PICTURE	QTY
O		12PCS
F		4PCS






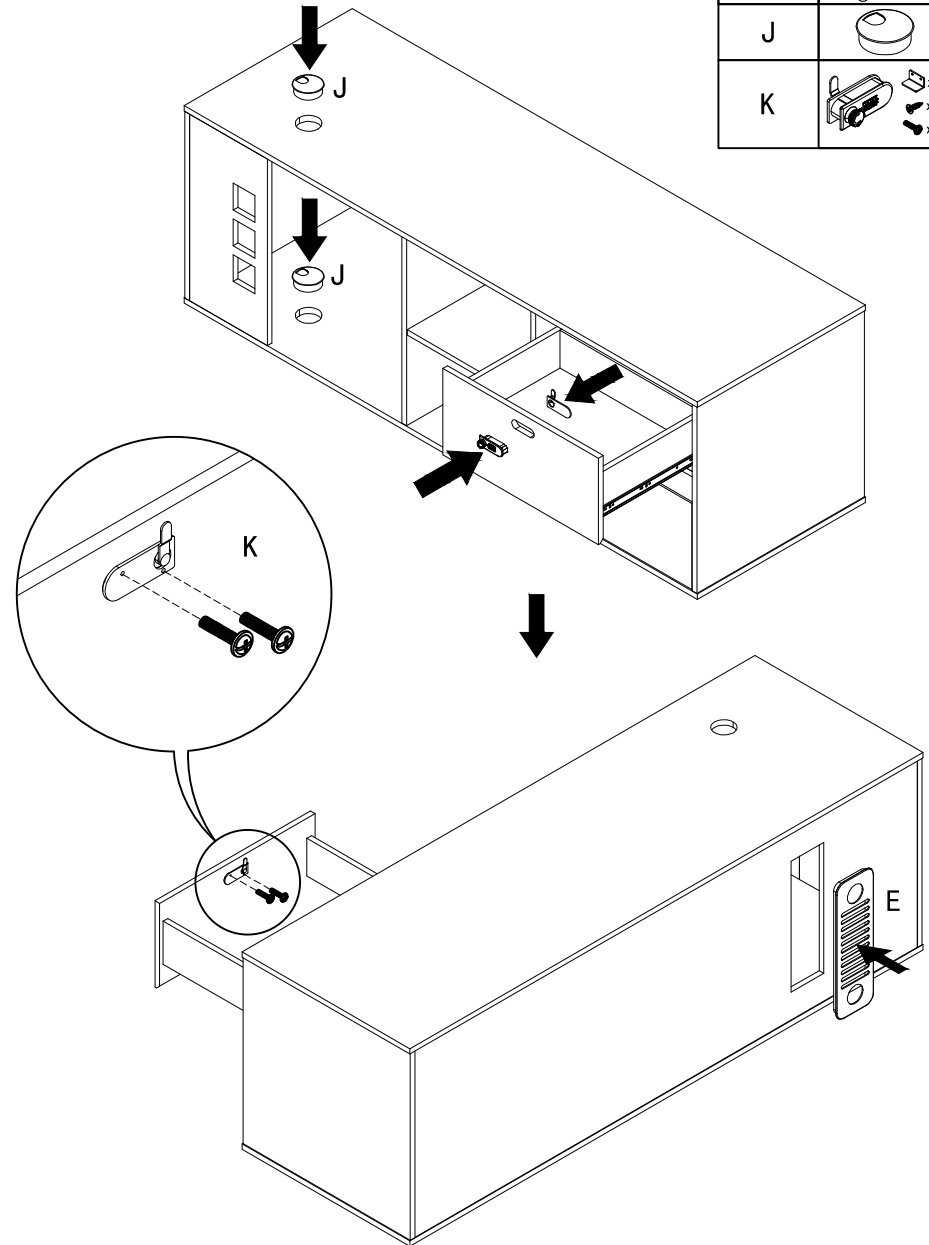
STEP 7

LABEL	PICTURE	QTY	LABEL	PICTURE	QTY
G		8PCS	L		2PCS
H		8PCS	M		12PCS
			N		8PCS





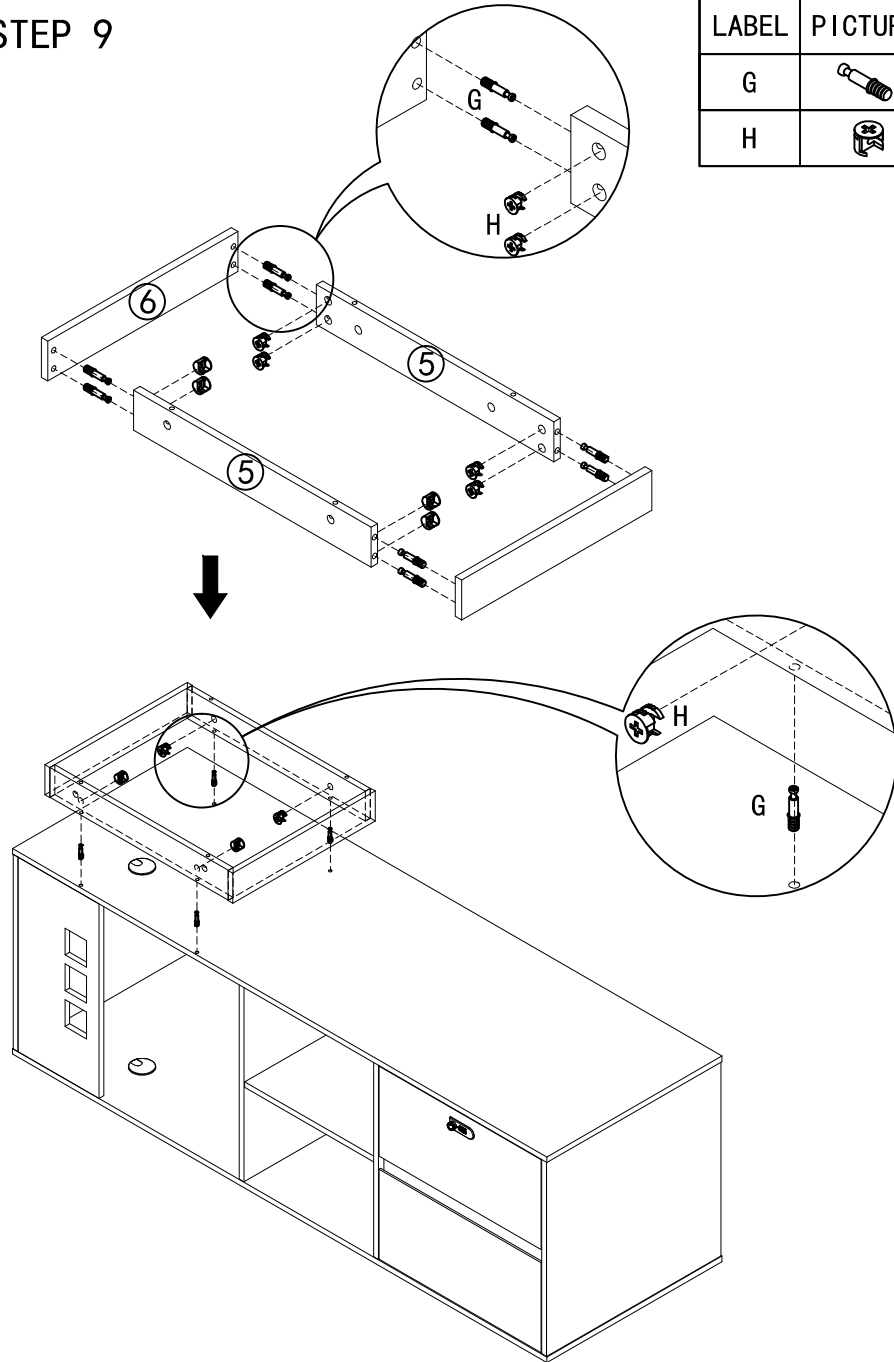
STEP 8

LABEL	PICTURE	QTY
E		1PC
J		2PCS
K		1PC





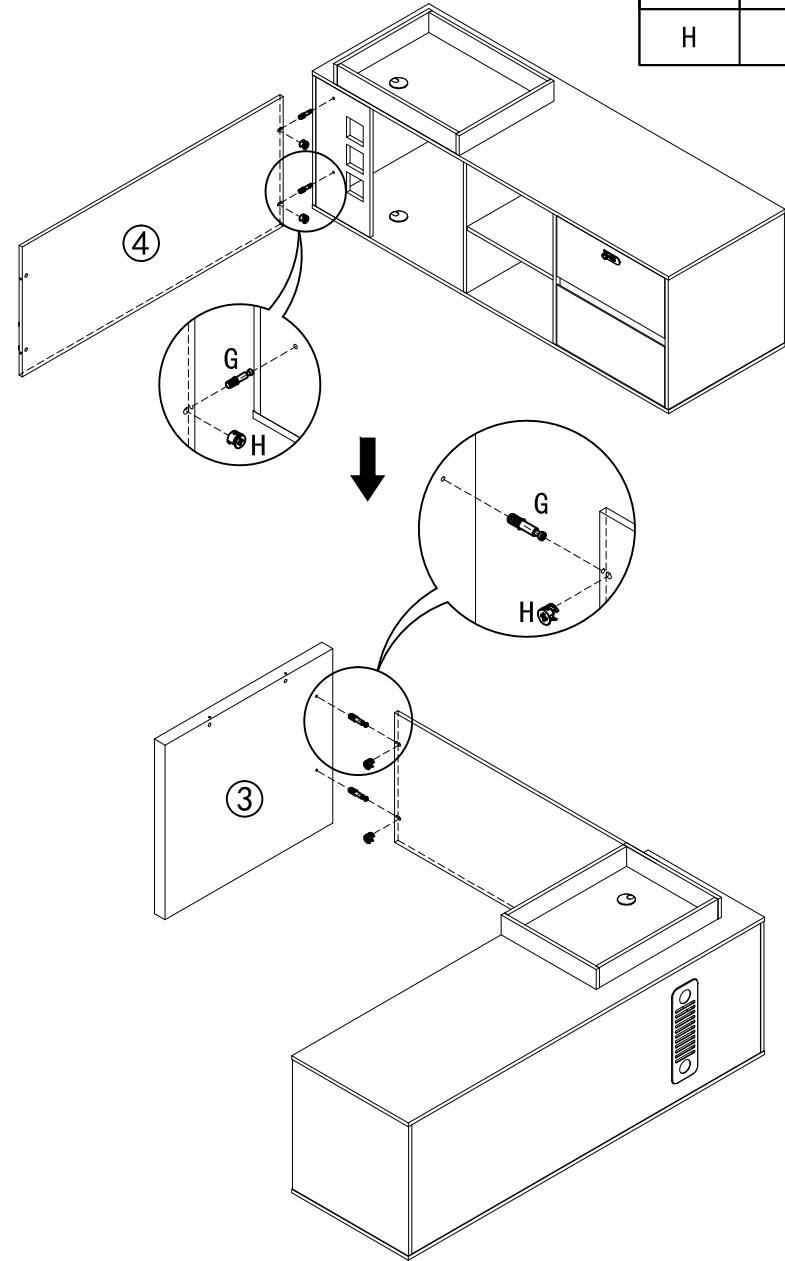
STEP 9

LABEL	PICTURE	QTY
G		12PCS
H		12PCS



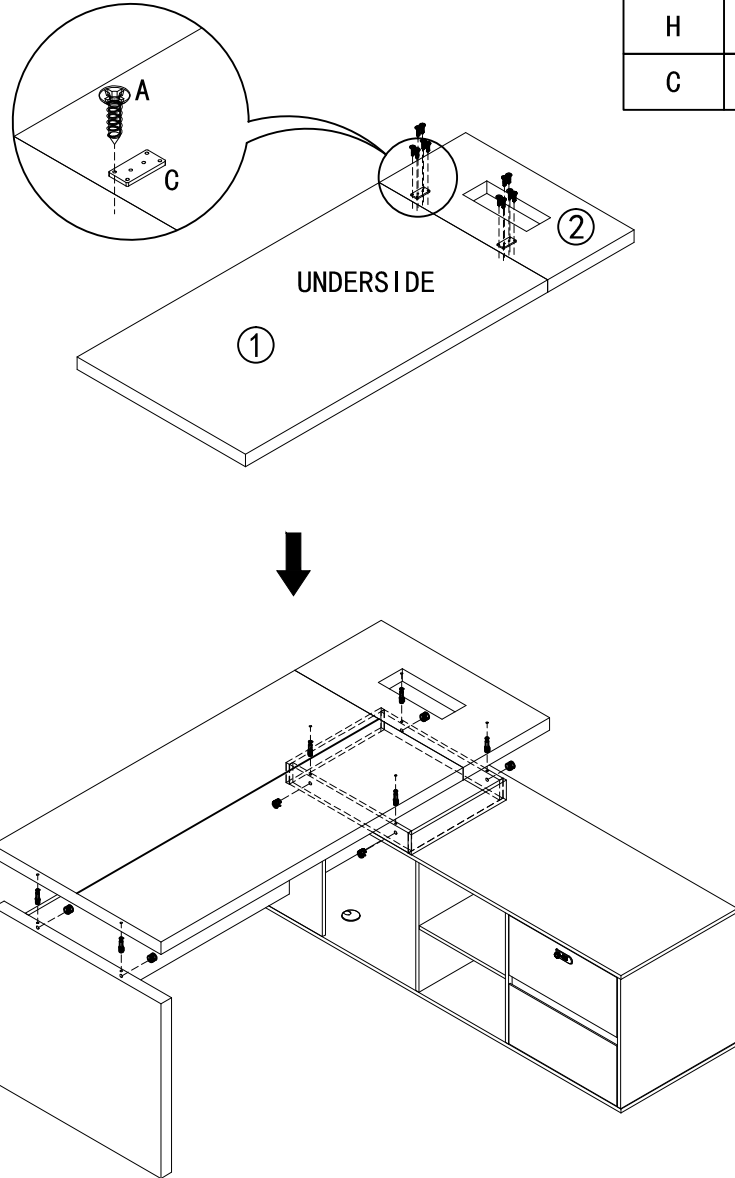
STEP 10

LABEL	PICTURE	QTY
G		4PCS
H		4PCS



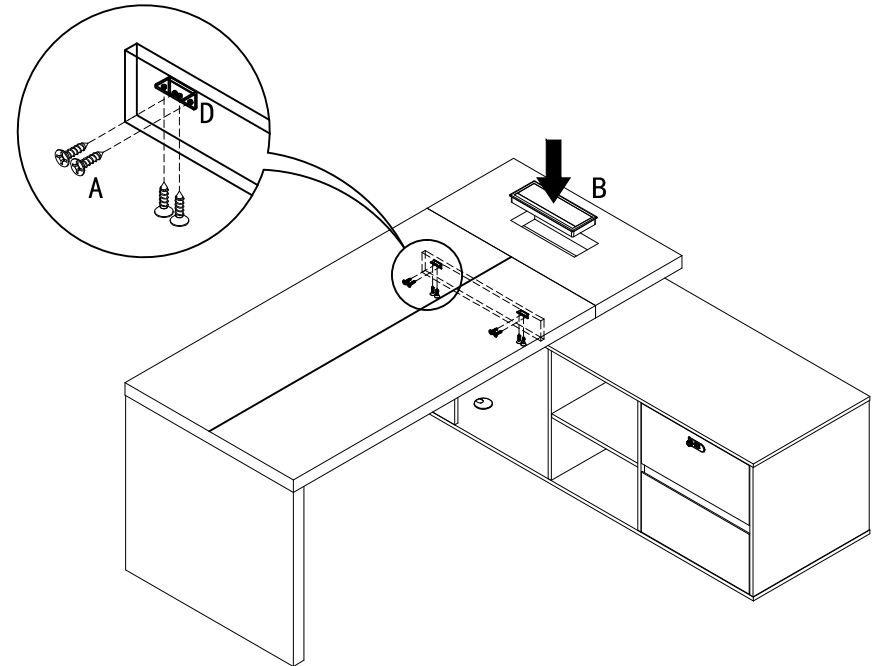
STEP 11

LABEL	PICTURE	QTY
A	(M4*16)	12PCS
G		6PCS
H		6PCS
C		2PCS



STEP 12

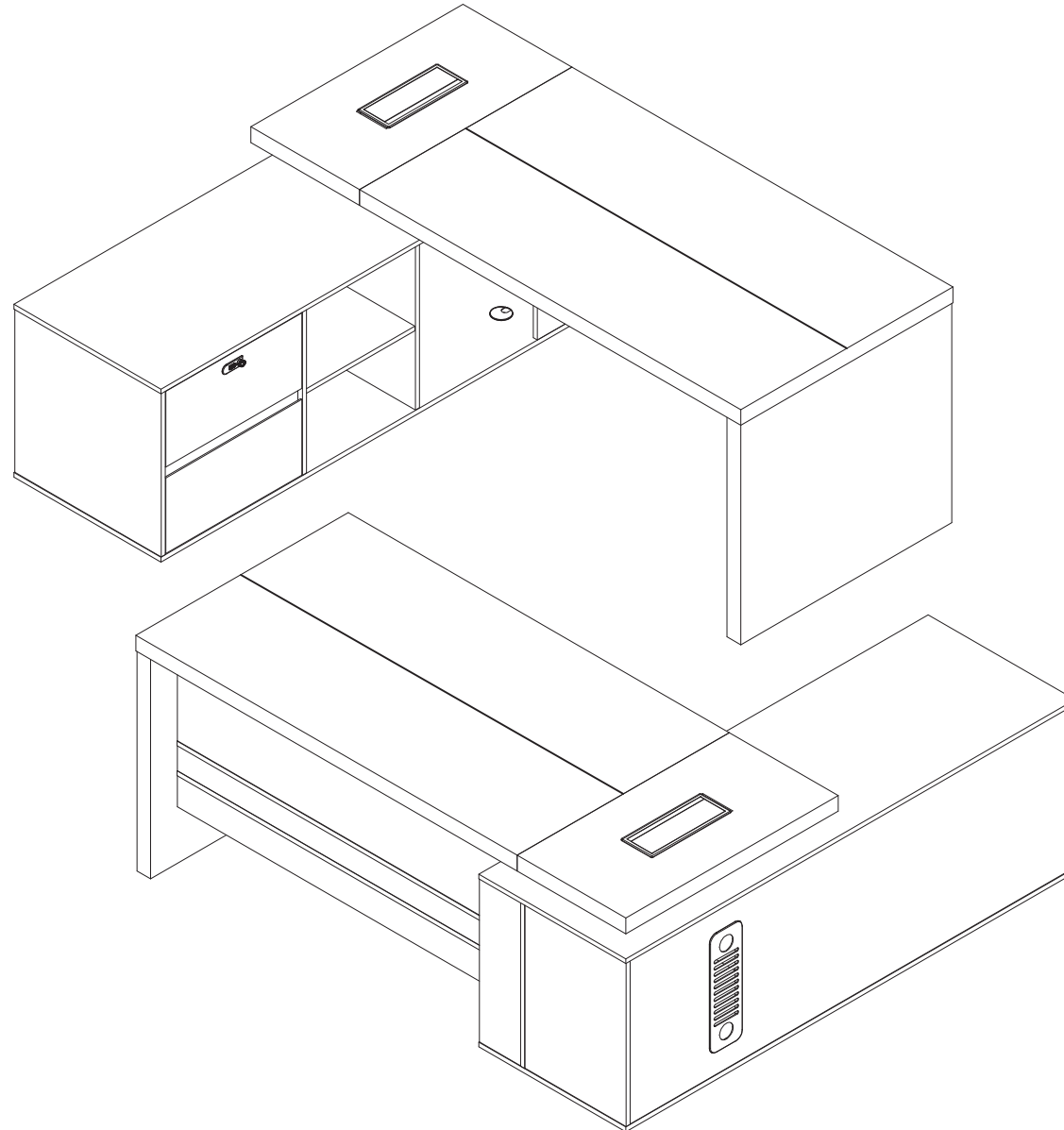
LABEL	PICTURE	QTY
A	(M4*16)	8PCS
B		1PC
D		2PCS

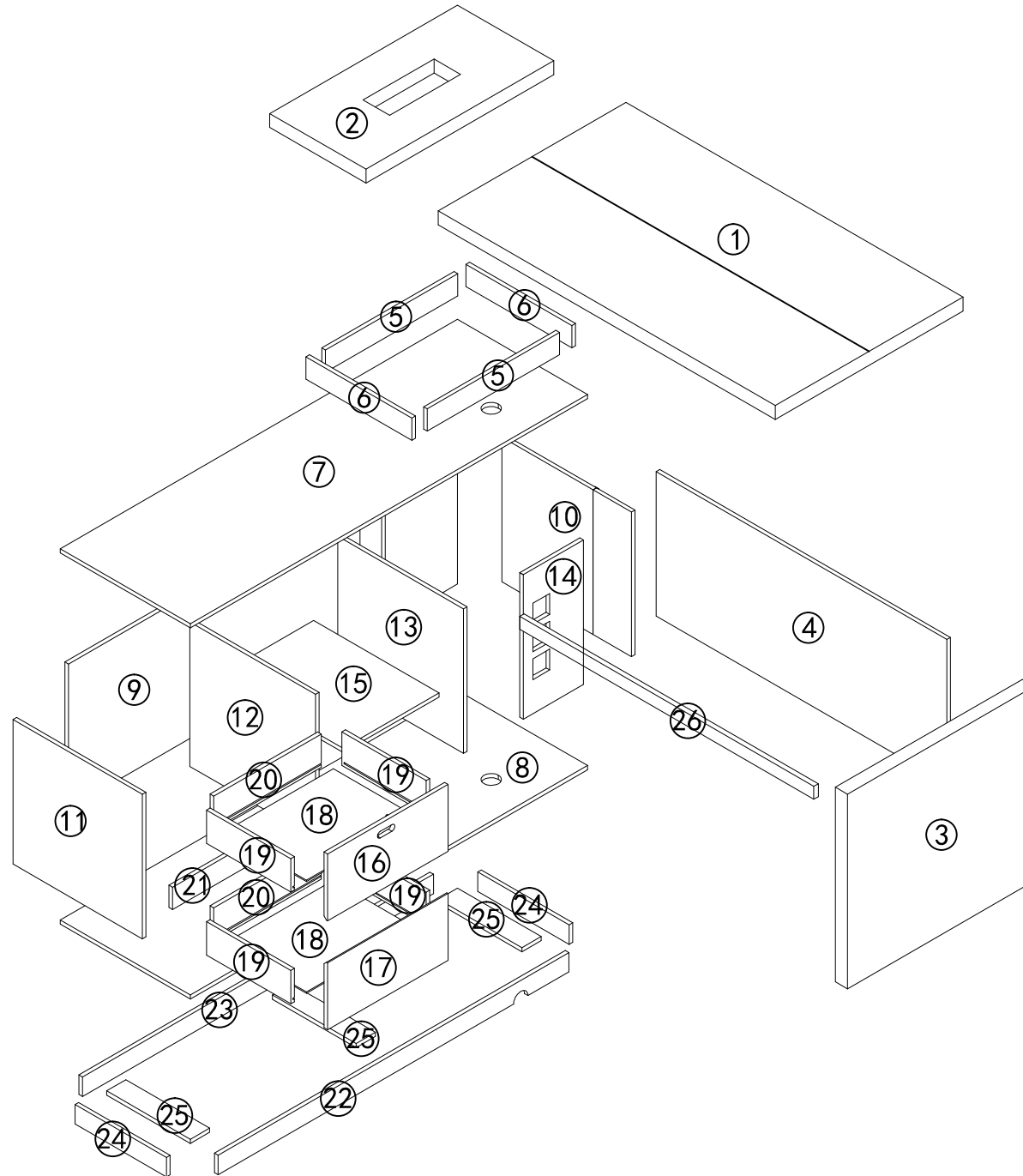


Assembly Instruction

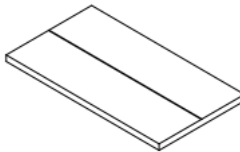
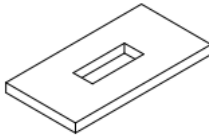
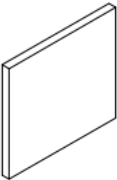
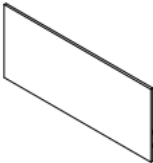
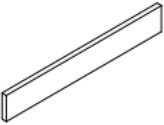
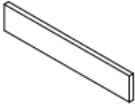
MODEL: LBZ-605-08/11-L(86.61*68.90*29.53Inch / 94.49*68.90*29.53Inch (Left Hand Return))

TIPS: Before installation, please read the assembly instructions carefully, and the most Important :Please confirm the direction of the auxiliary cabinet before installation.

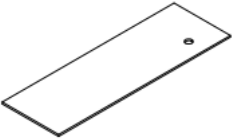
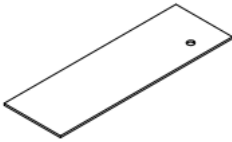
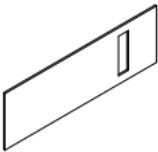
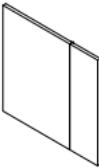
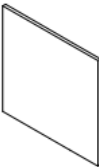
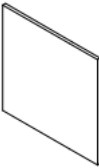




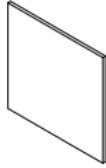
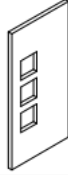
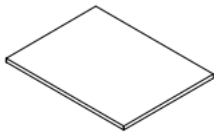
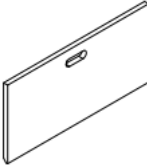
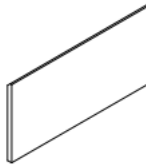
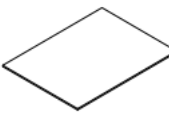
PART LIST:

LABEL	PICTURE	DESCRIPTION	QTY
1		1860*800*50mm	1PC
2		540*800*50mm	1PC
3		700*796*50mm	1PC
4		1558*520*15mm 1758*520*15mm	1PC
5		550*80*15mm	2PCS
6		440*80*15mm	2PCS

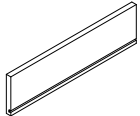
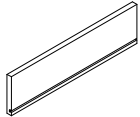
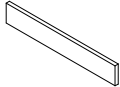
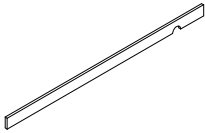
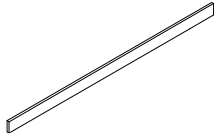
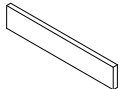
PART LIST:

LABEL	PICTURE	DESCRIPTION	QTY
7		1750*560*15mm	1PC
8		1750*560*15mm	1PC
9		1716*520*15mm	1PC
10		520*538*15mm	1PC
11		520*536*15mm	1PC
12		520*520*15mm	1PC

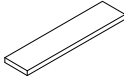
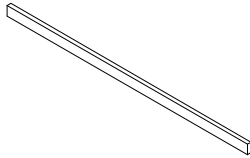
PART LIST:

LABEL	PICTURE	DESCRIPTION	QTY
13		520*520*15mm	1PC
14		520*250*15mm	1PC
15		448*516*15mm	1PC
16		500*240*15mm	1PC
17		500*240*15mm	1PC
18		458*395*4mm	2PCS

PART LIST:

LABEL	PICTURE	DESCRIPTION	QTY
19		400*150*15mm	4PCS
20		449*150*15mm	2PCS
21		504*80*15mm	1PC
22		1560*70*15mm	1PC
23		1560*70*15mm	1PC
24		400*70*15mm	2PCS


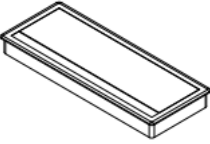
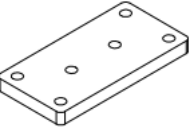
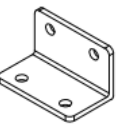


PART LIST:

LABEL	PICTURE	DESCRIPTION	QTY
25		370*70*15mm	3PCS
26		1588*60*24mm	1PC

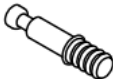



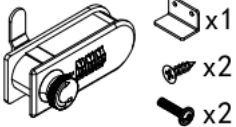
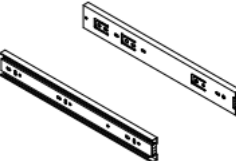
PART LIST:


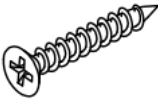
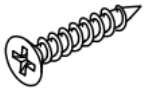
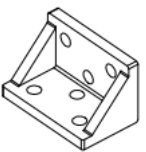
LABEL	PICTURE	DESCRIPTION	QTY

HARDWARE LIST:



LABEL	PICTURE	DESCRIPTION	QTY
A		SCREW (M4*16)	32PCS
B		WIRE BOX (295*110)	1PC
C		METAL PLATE (58*29)	2PCS
D		CORNER BRACKET (34*20*20)	2PCS
F		HEAT SPREUDER (380*120)	1PC
F		SHELF SUPPORT (22*13*10)	4PCS

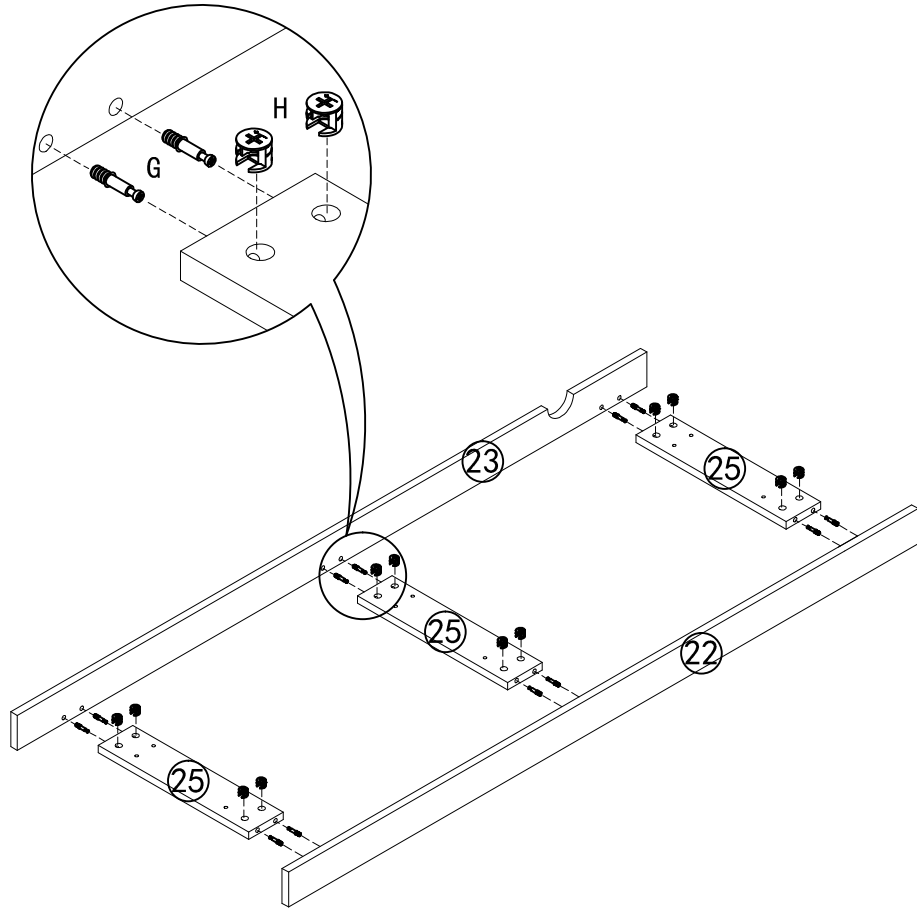
HARDWARE LIST:

LABEL	PICTURE	DESCRIPTION	QTY
G		TWO-IN-ONE SCREW (6*40)	86PCS
H		TWO-IN-ONE SCREW (15*10)	86PCS
I		WOOD PLUG (ø8*30)	24PCS
J		WIRE BOX ø60	24PCS
K		COMBINATION LOCK (75*25)	1PC
L		SLIDE 14" (L350mm)	2PCS



LABEL	PICTURE	DESCRIPTION	QTY
M		SCREW (M3.5*12)	24PCS
N		SCREW (M3.5*35)	8PCS
O		SCREW (M4*25)	12PCS
P		CORNER BRACKET (50*30*30)	2PCS

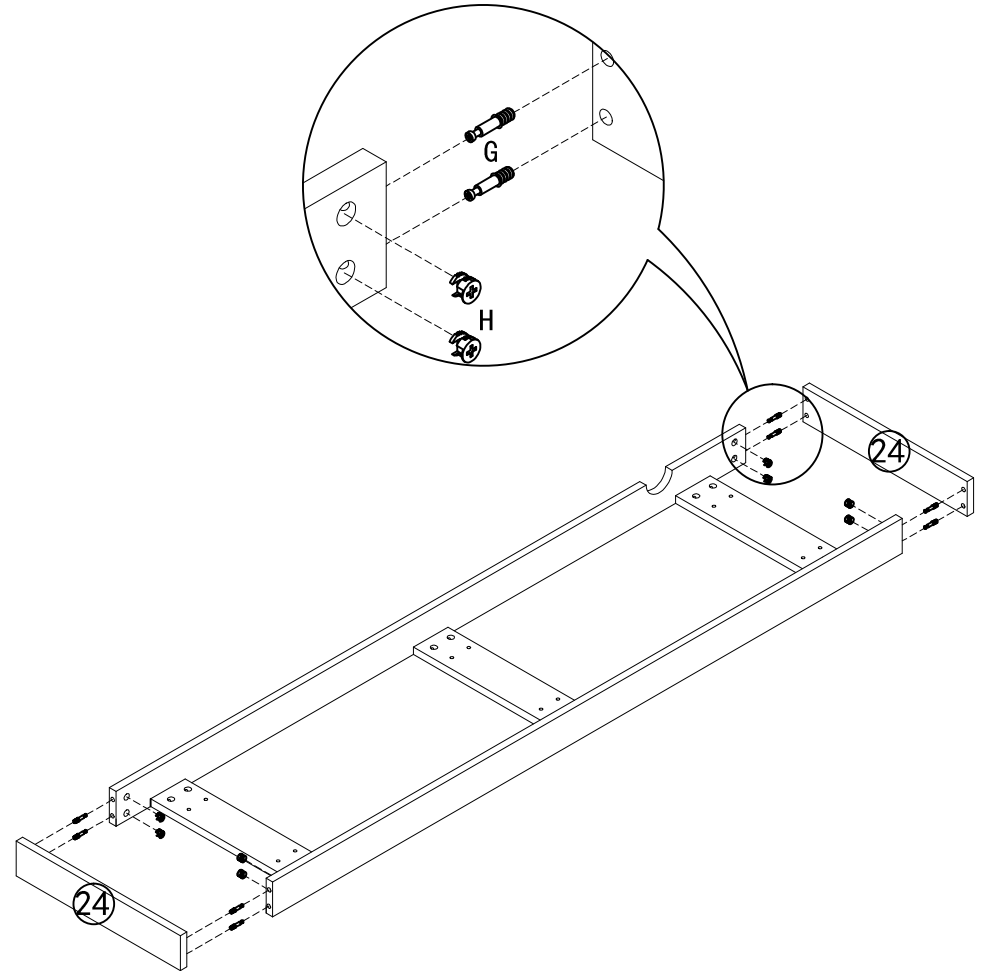
STEP 1

LABEL	PICTURE	QTY
G		12PCS
H		12PCS





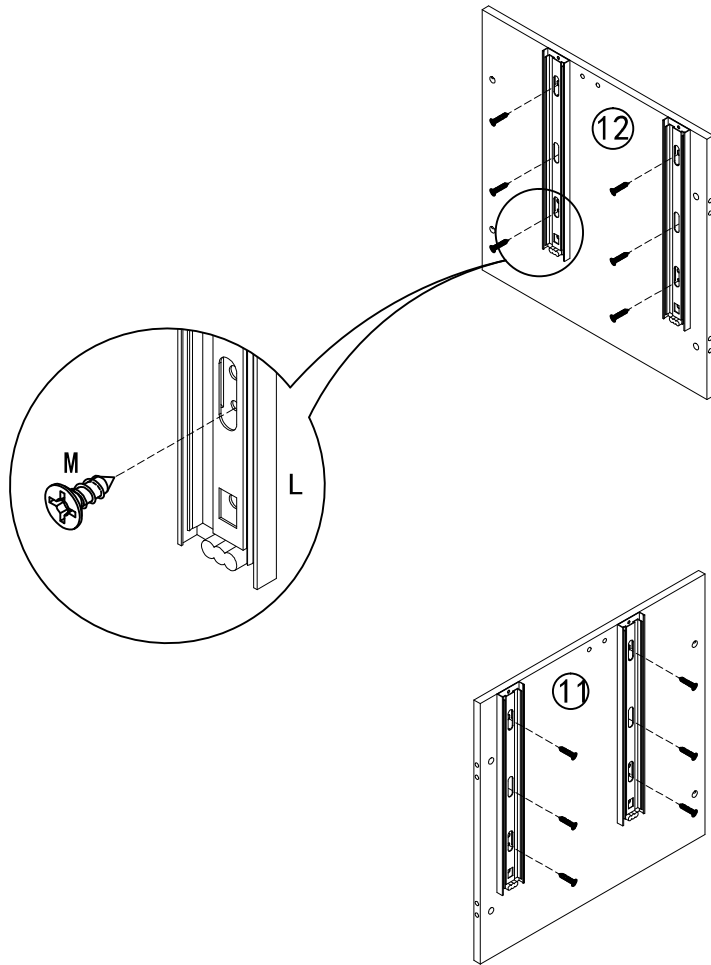
STEP 2

LABEL	PICTURE	QTY
G		8PCS
H		8PCS





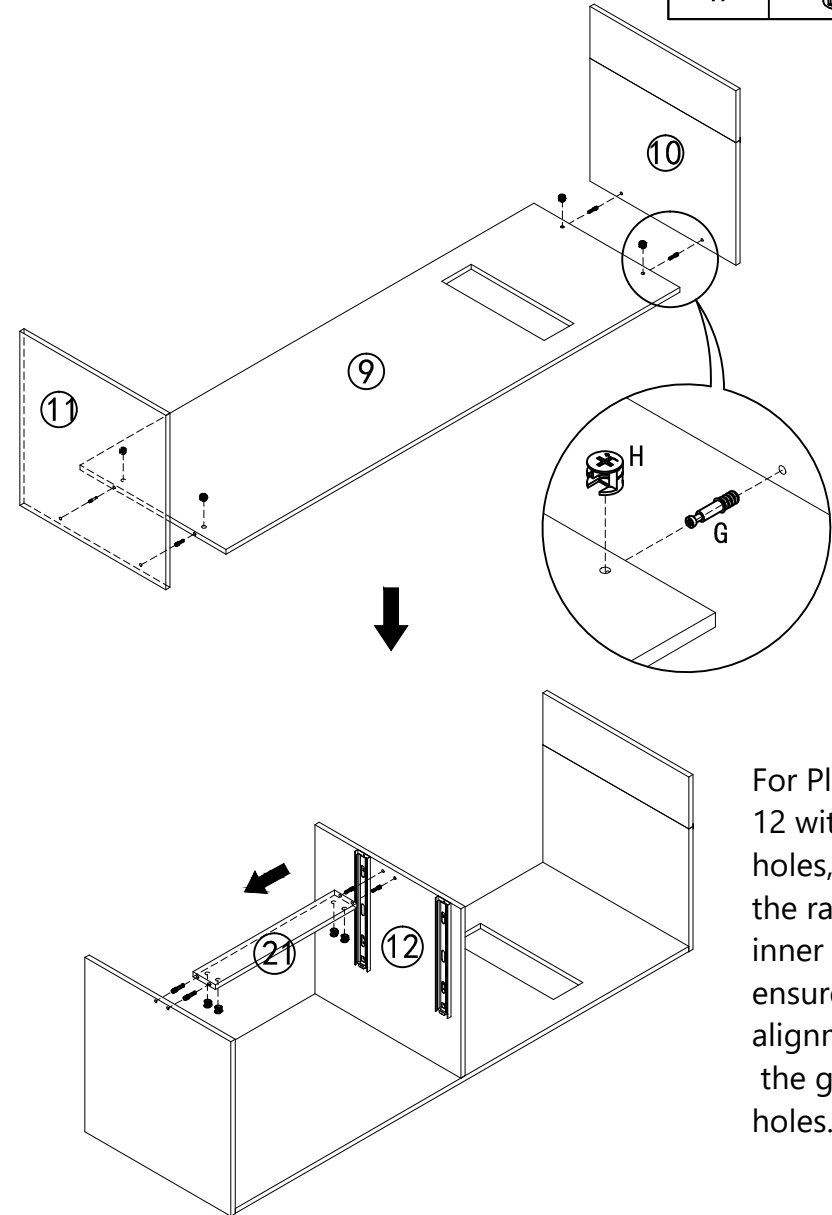
STEP 3

LABEL	PICTURE	QTY
L		2PCS
M	 (M3, 5*12)	12PCS



STEP 4




LABEL	PICTURE	QTY
G		8PCS
H		8PCS



For Plate No. 12 with guide holes, install the rails on its inner side and ensure alignment with the guide holes.

STEP 5

Identify the front of the auxiliary cabinet by the decorative strip on its front panel.

LABEL	PICTURE	QTY
I		24PCS
G		28PCS
H		28PCS

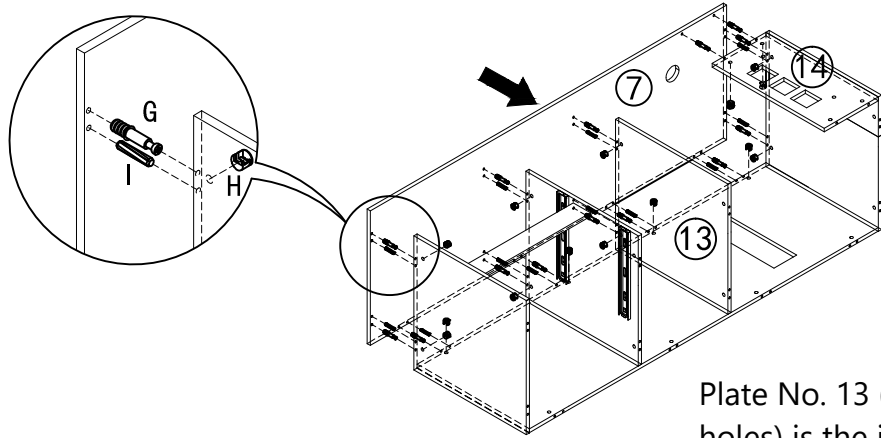
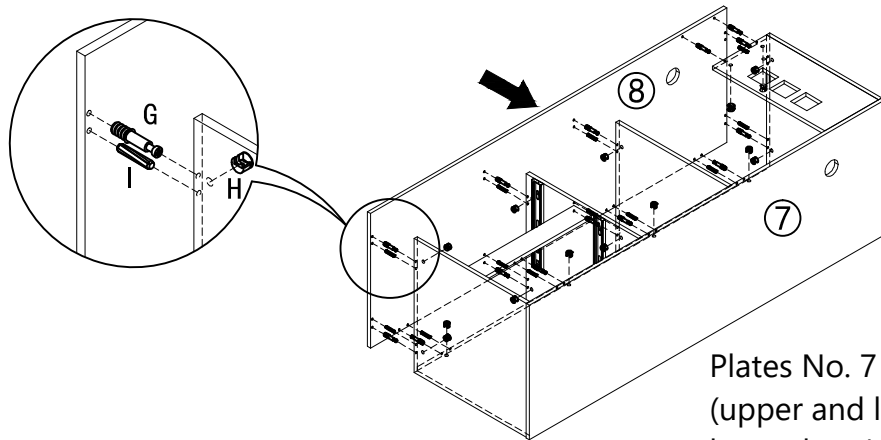




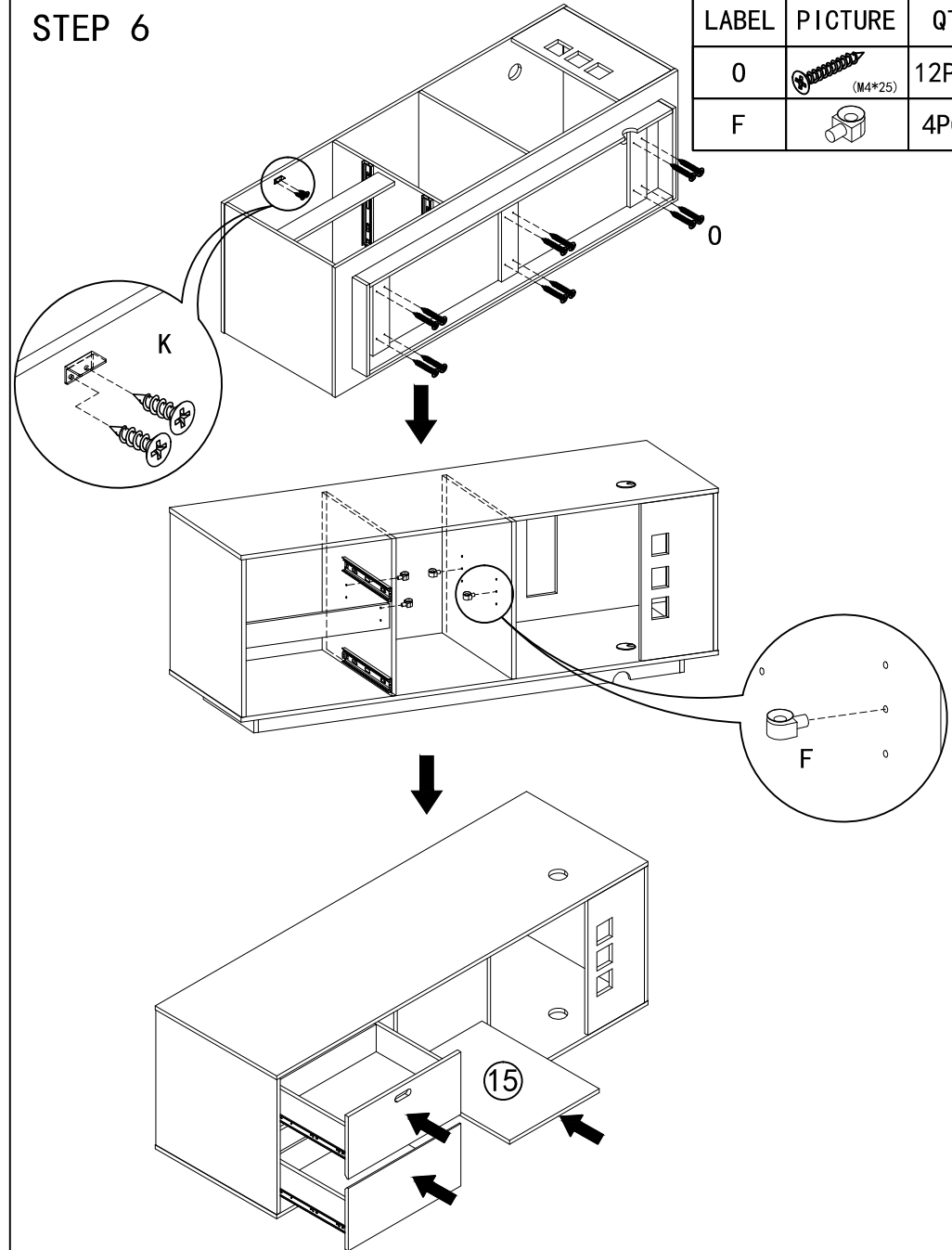
Plate No. 13 (with holes) is the inner panel, on which the movable shelf shall be placed.






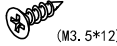
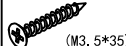
Plates No. 7 and 8 (upper and lower base plates) are interchangeable.

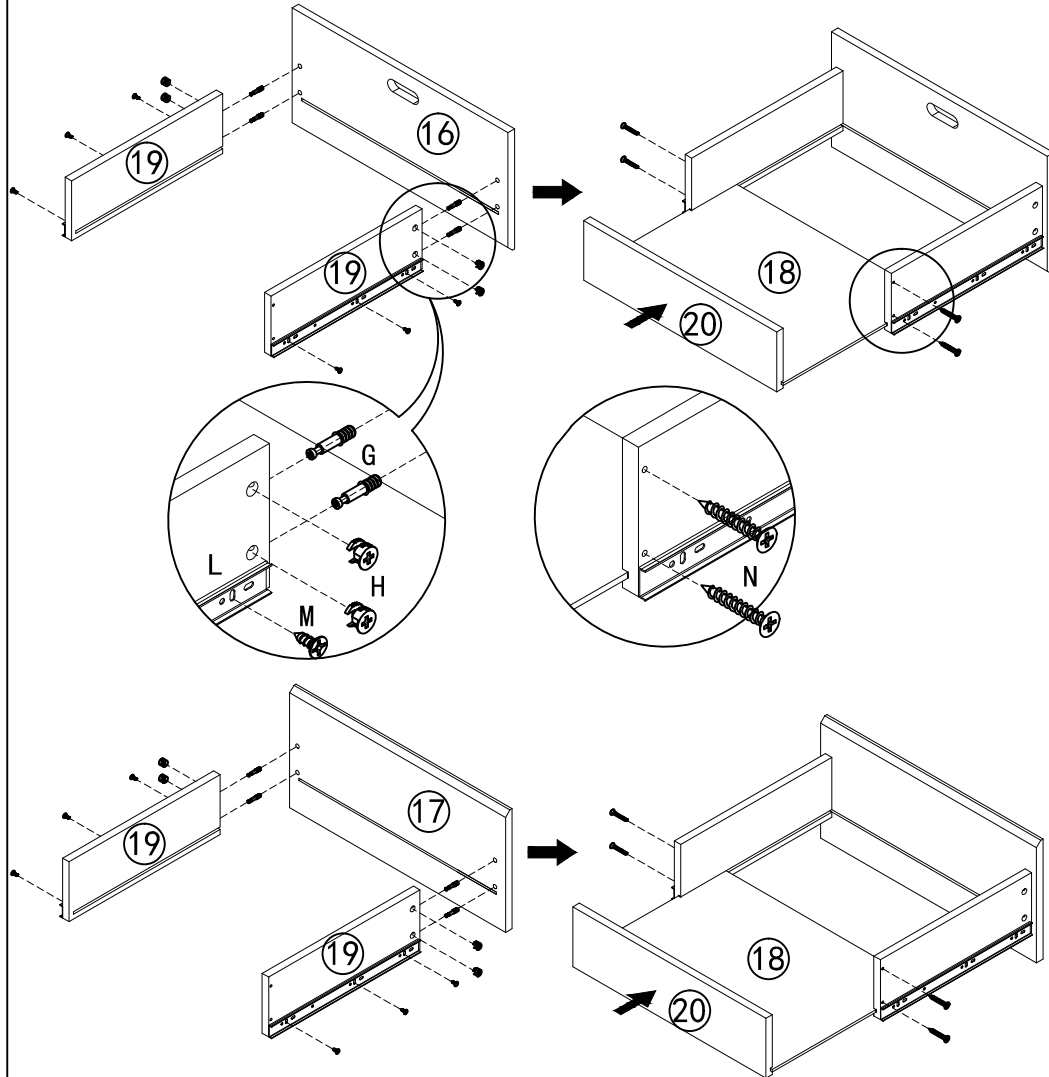
STEP 6

LABEL	PICTURE	QTY
O		12PCS
F		4PCS



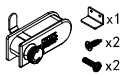


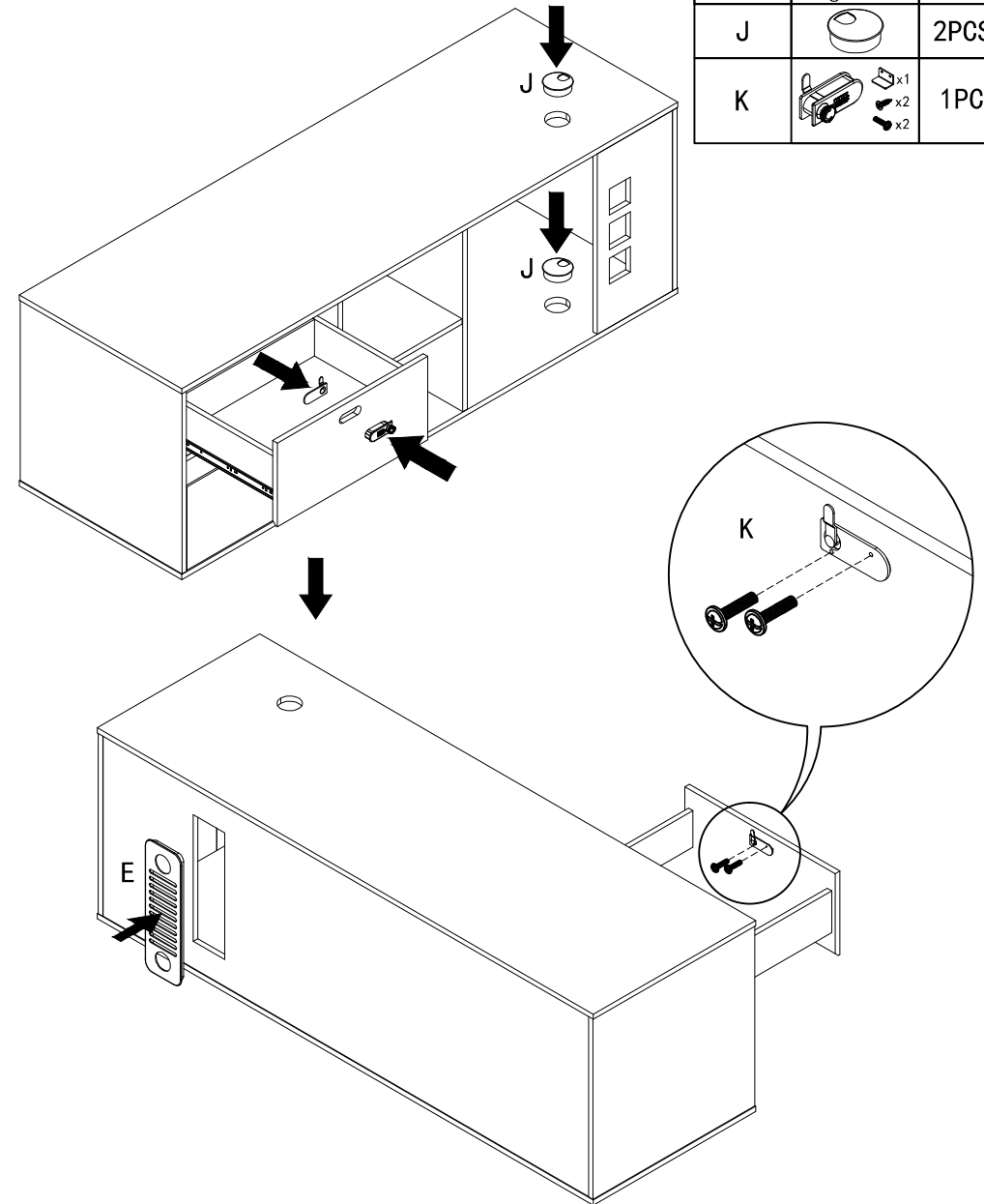
STEP 7

LABEL	PICTURE	QTY	LABEL	PICTURE	QTY
G		8PCS	L		2PCS
H		8PCS	M		12PCS
			N		8PCS

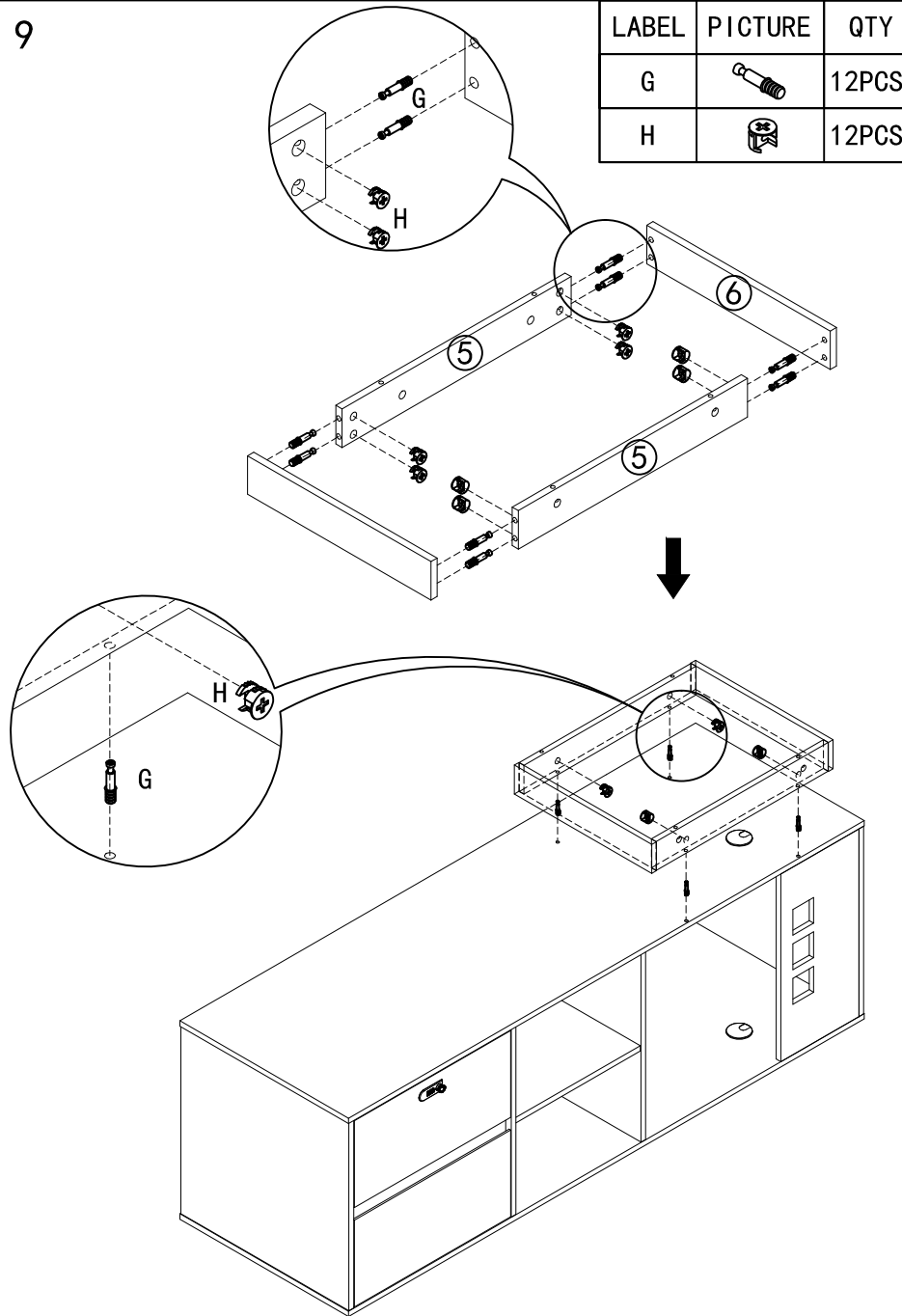


STEP 8

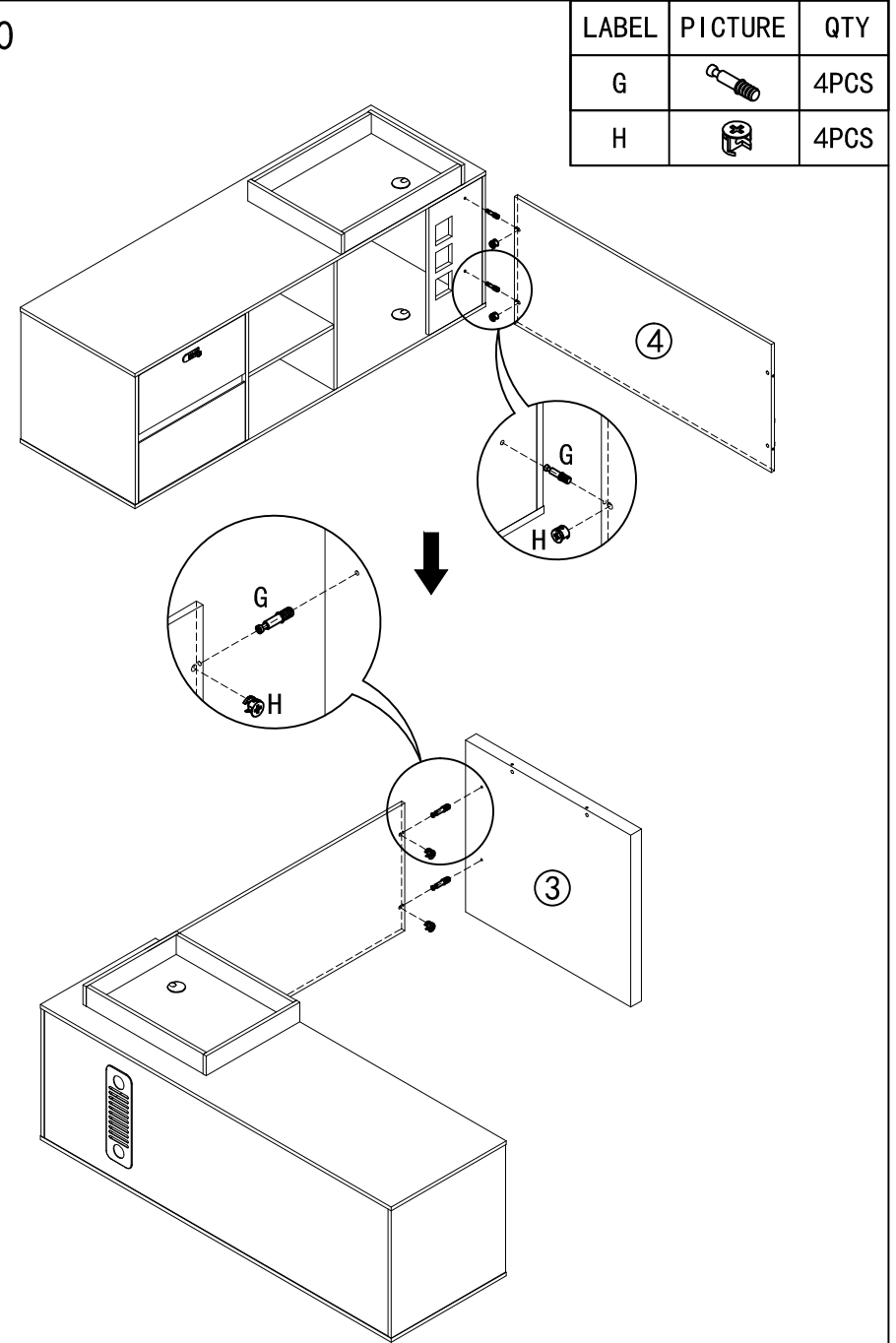
LABEL	PICTURE	QTY
E		1PC
J		2PCS
K		1PC



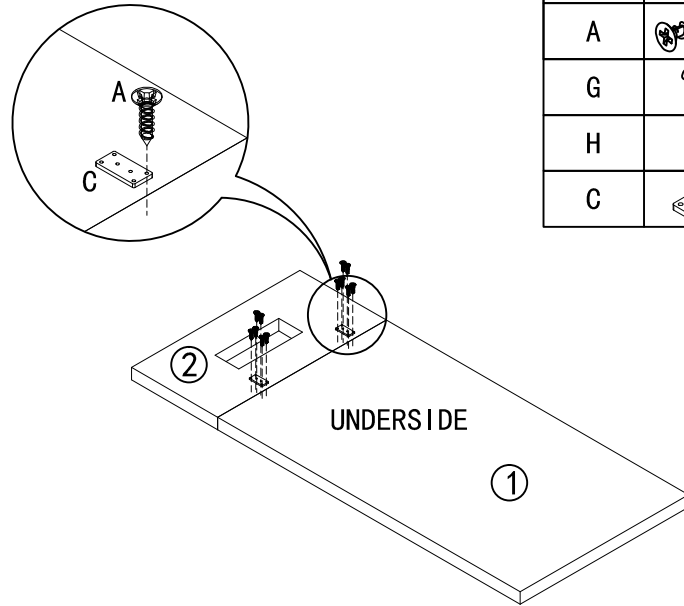
STEP 9



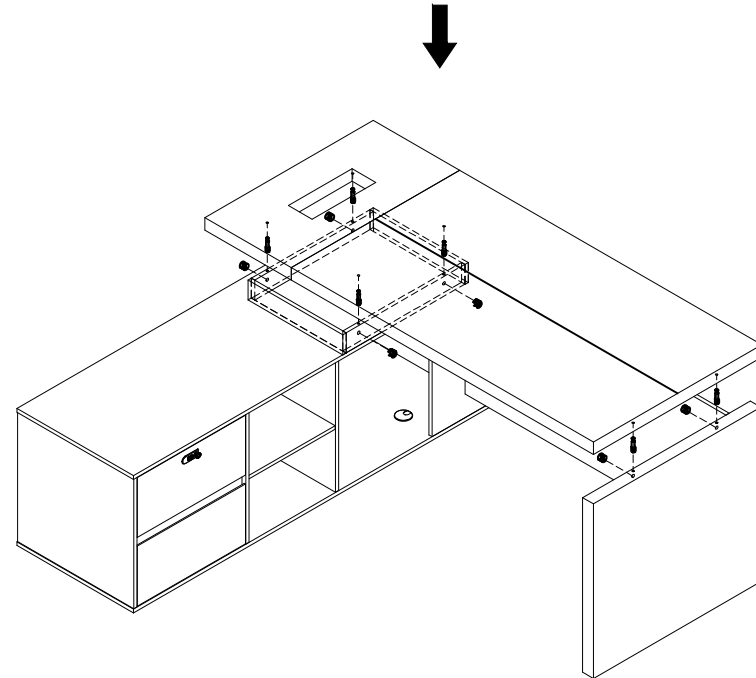
STEP 10



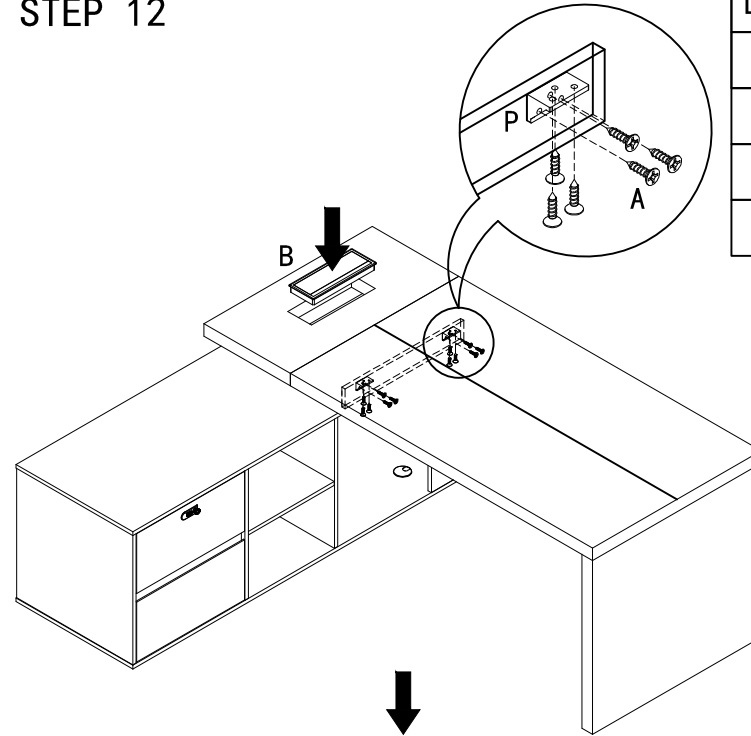
STEP 11



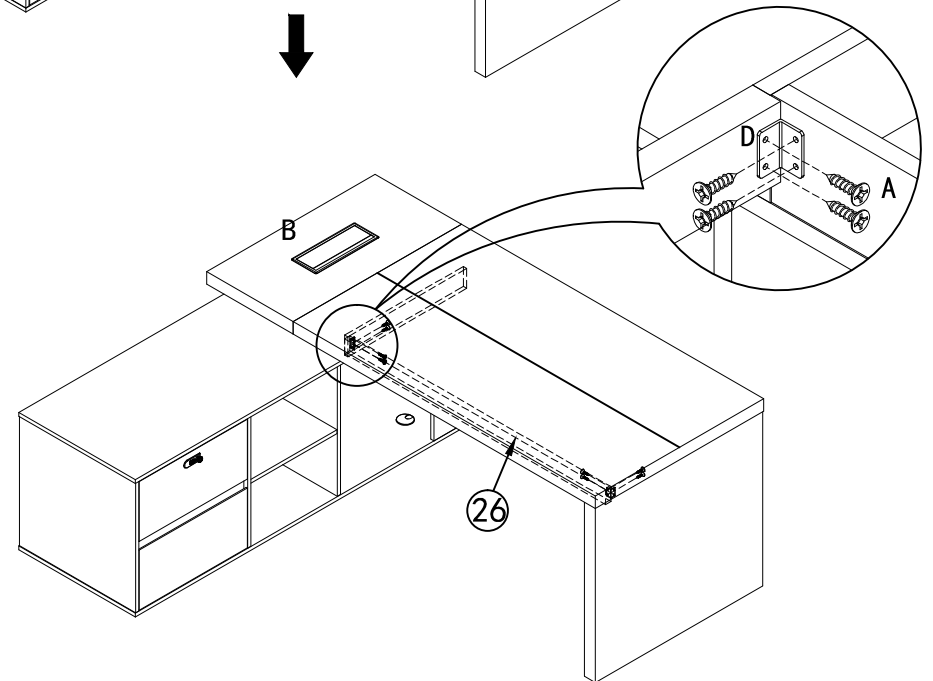
LABEL	PICTURE	QTY
A	(M4*16)	12PCS
G		6PCS
H		6PCS
C		2PCS



STEP 12



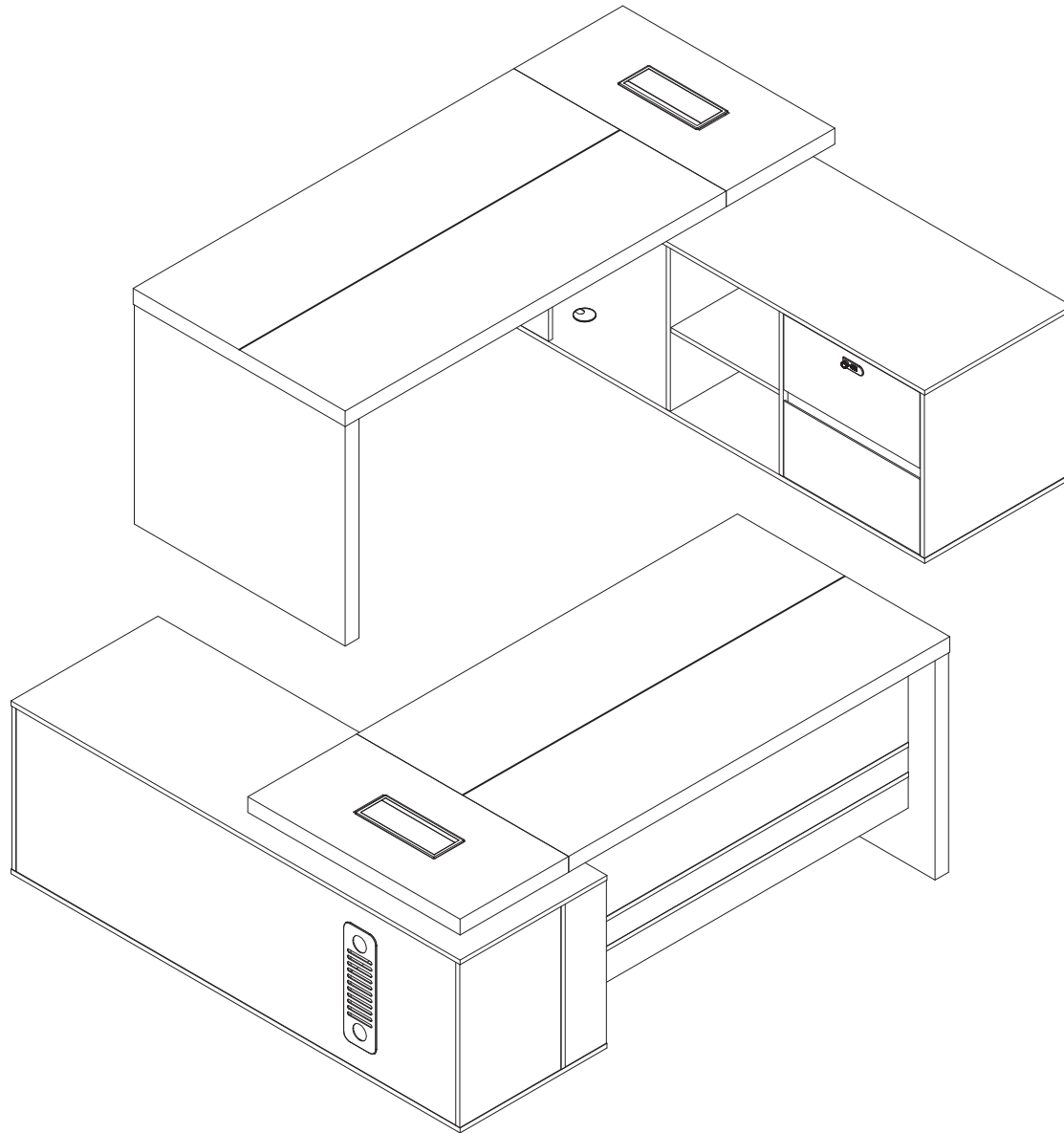
LABEL	PICTURE	QTY
A	(M4*16)	20PCS
B		1PC
D		2PCS
P		2PCS

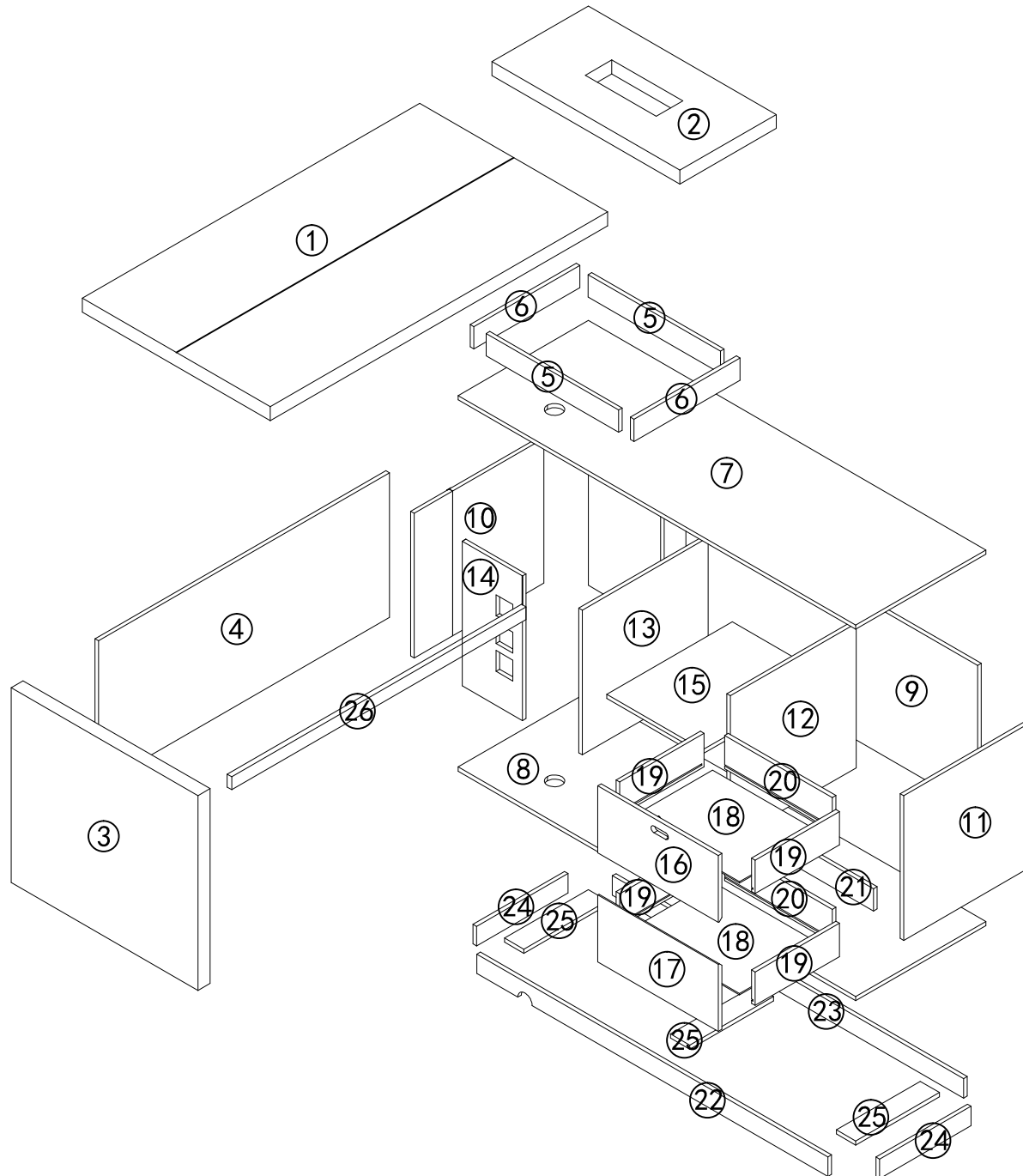


Assembly Instruction

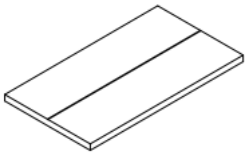
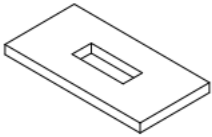
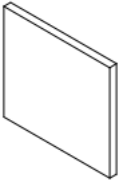
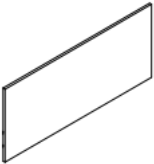
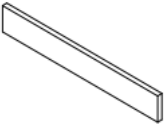
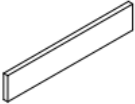
MODEL: LBZ-605-08/11-R (86.61*68.90*29.53Inch / 94.49*68.90*29.53Inch (Right Hand Return))

TIPS: Before installation, please read the assembly instructions carefully, and the most Important :Please confirm the direction of the auxiliary cabinet before installation.

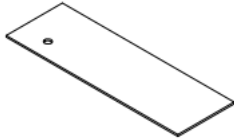
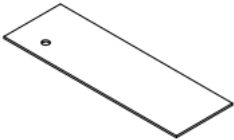
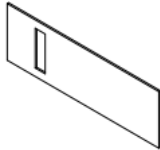
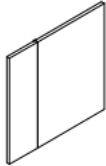
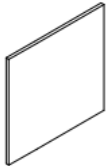
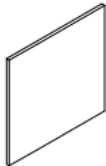




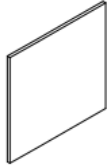

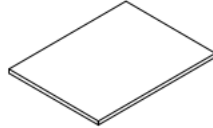
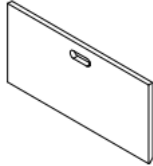
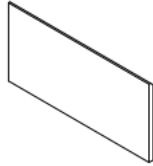
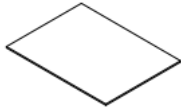
PART LIST:

LABEL	PICTURE	DESCRIPTION	QTY
1		1860*800*50mm	1PC
2		540*800*50mm	1PC
3		700*796*50mm	1PC
4		1558*520*15mm 1758*520*15mm	1PC
5		550*80*15mm	2PCS
6		440*80*15mm	2PCS

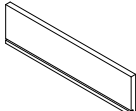
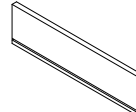
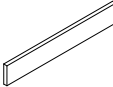
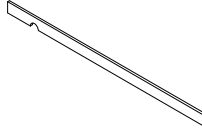
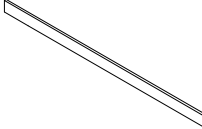
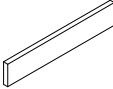
PART LIST:

LABEL	PICTURE	DESCRIPTION	QTY
7		1750*560*15mm	1PC
8		1750*560*15mm	1PC
9		1716*520*15mm	1PC
10		520*538*15mm	1PC
11		520*536*15mm	1PC
12		520*520*15mm	1PC

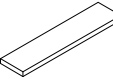
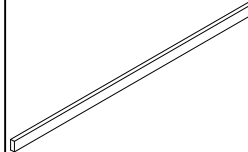
PART LIST:

LABEL	PICTURE	DESCRIPTION	QTY
13		520*520*15mm	1PC
14		520*250*15mm	1PC
15		448*516*15mm	1PC
16		500*240*15mm	1PC
17		500*240*15mm	1PC
18		458*395*4mm	2PCS

PART LIST:

LABEL	PICTURE	DESCRIPTION	QTY
19		400*150*15mm	4PCS
20		449*150*15mm	2PCS
21		504*80*15mm	1PC
22		1560*70*15mm	1PC
23		1560*70*15mm	1PC
24		400*70*15mm	2PCS


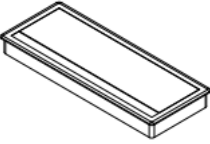
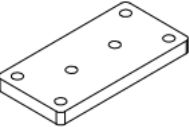
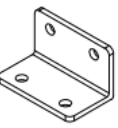


PART LIST:

LABEL	PICTURE	DESCRIPTION	QTY
25		370*70*15mm	3PCS
26		1588*60*24mm	1PC

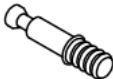



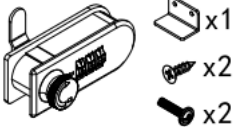
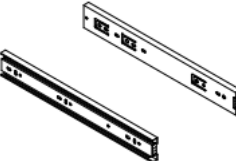
PART LIST:


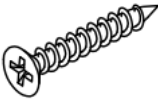
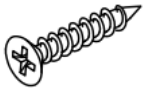
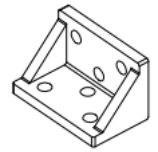
LABEL	PICTURE	DESCRIPTION	QTY

HARDWARE LIST:



LABEL	PICTURE	DESCRIPTION	QTY
A		SCREW (M4*16)	32PCS
B		WIRE BOX (295*110)	1PC
C		METAL PLATE (58*29)	2PCS
D		CORNER BRACKET (34*20*20)	2PCS
F		HEAT SPREUDER (380*120)	1PC
F		SHELF SUPPORT (22*13*10)	4PCS

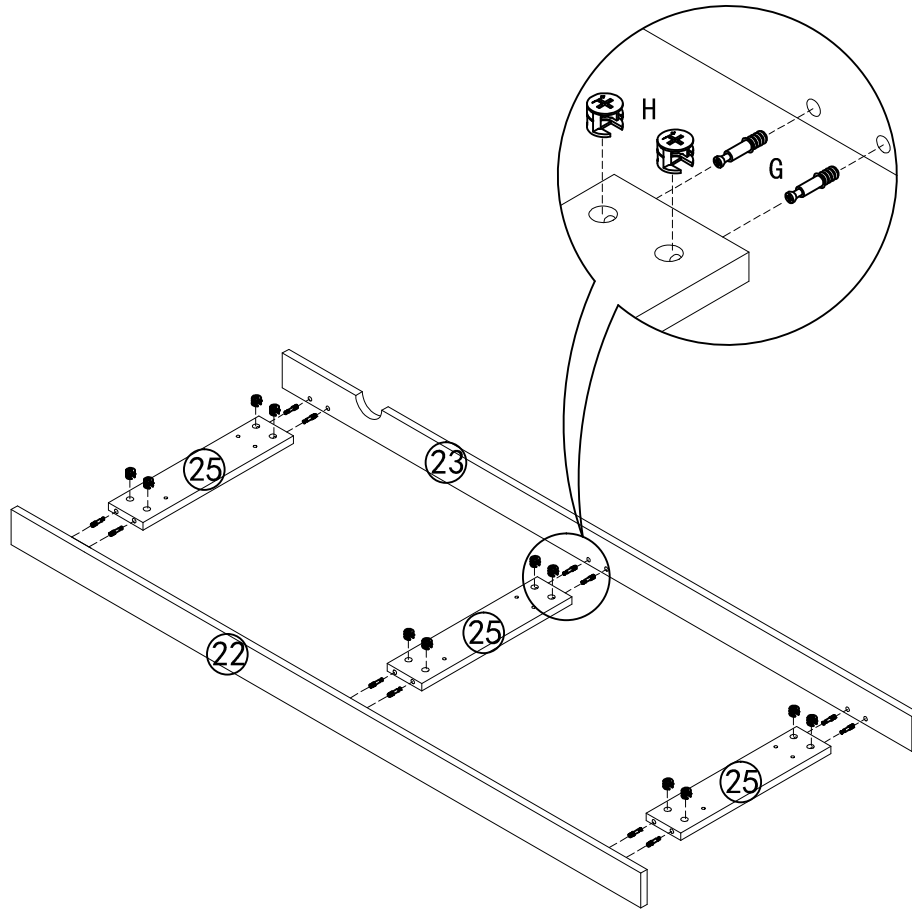
HARDWARE LIST:

LABEL	PICTURE	DESCRIPTION	QTY
G		TWO-IN-ONE SCREW (6*40)	86PCS
H		TWO-IN-ONE SCREW (15*10)	86PCS
I		WOOD PLUG (ø8*30)	24PCS
J		WIRE BOX ø60	24PCS
K		COMBINATION LOCK (75*25)	1PC
L		SLIDE 14" (L350mm)	2PCS



LABEL	PICTURE	DESCRIPTION	QTY
M		SCREW (M3.5*12)	24PCS
N		SCREW (M3.5*35)	8PCS
O		SCREW (M4*25)	12PCS
P		CORNER BRACKET (50*30*30)	2PCS

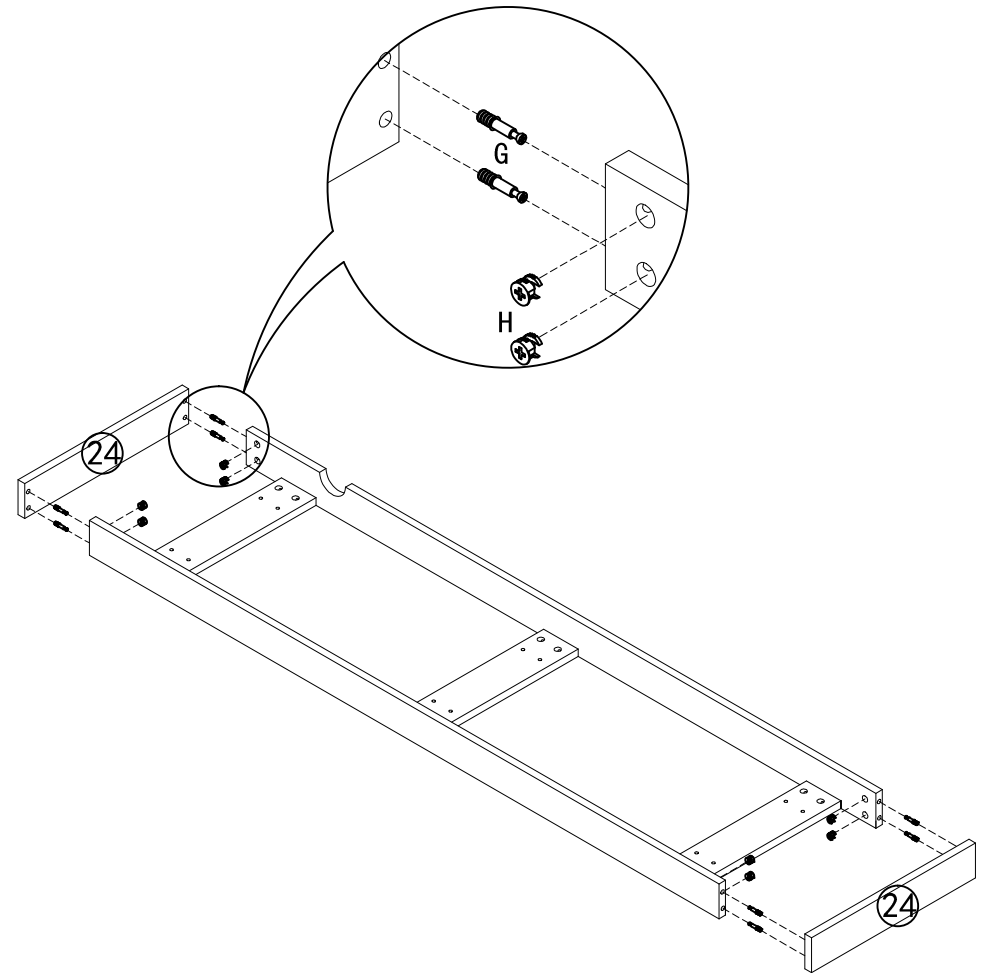
STEP 1

LABEL	PICTURE	QTY
G		12PCS
H		12PCS





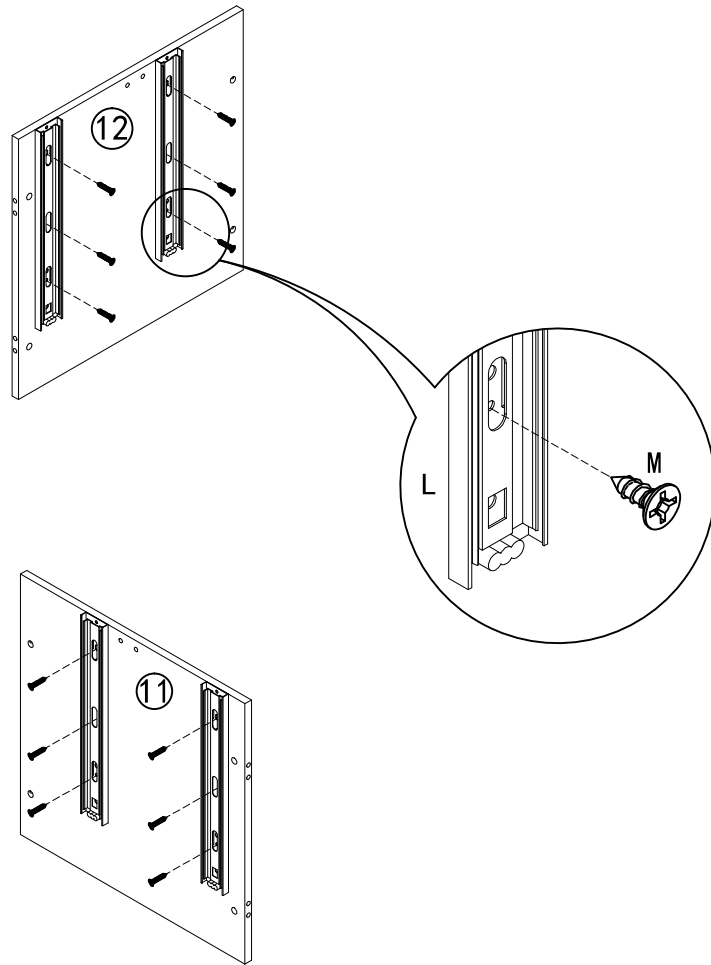
STEP 2

LABEL	PICTURE	QTY
G		8PCS
H		8PCS





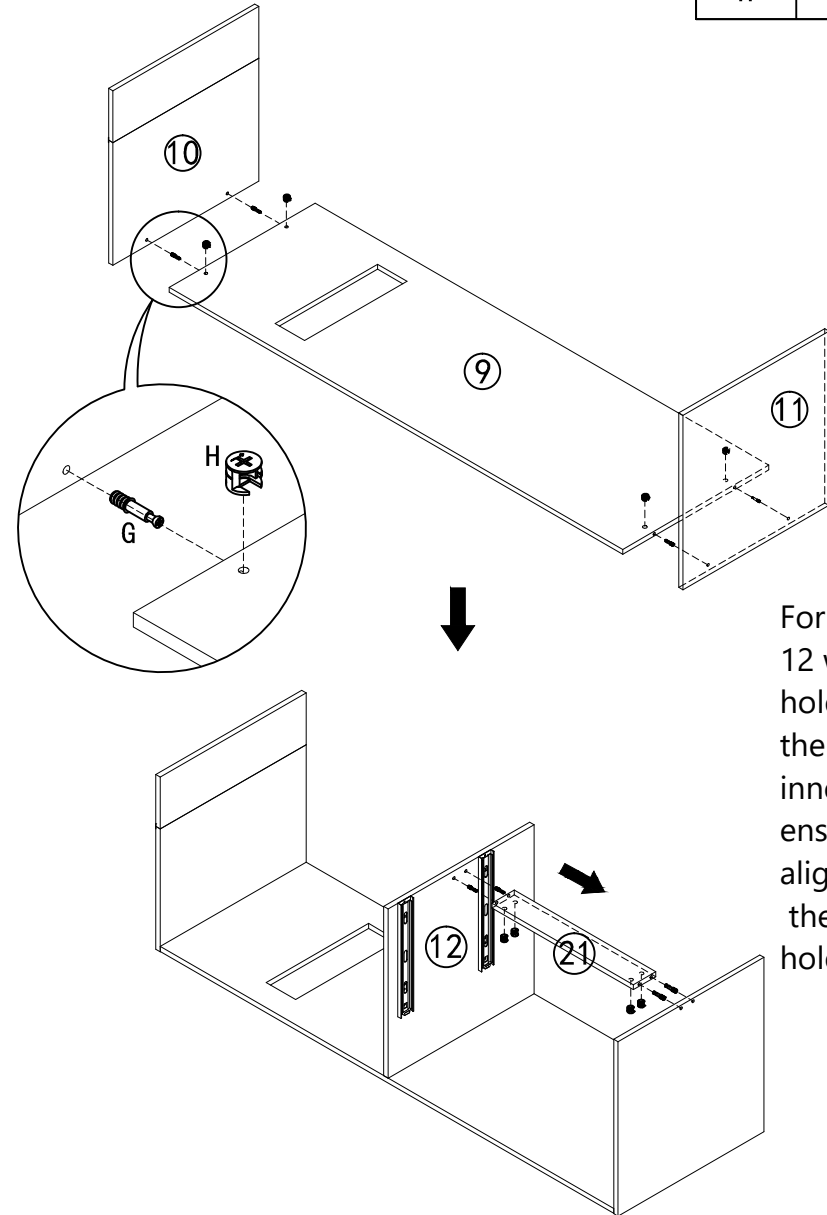
STEP 3

LABEL	PICTURE	QTY
L		2PCS
M		12PCS



STEP 4




LABEL	PICTURE	QTY
G		8PCS
H		8PCS



For Plate No. 12 with guide holes, install the rails on its inner side and ensure alignment with the guide holes.

STEP 5

Identify the front of the auxiliary cabinet by the decorative strip on its front panel.

LABEL	PICTURE	QTY
I		24PCS
G		28PCS
H		28PCS

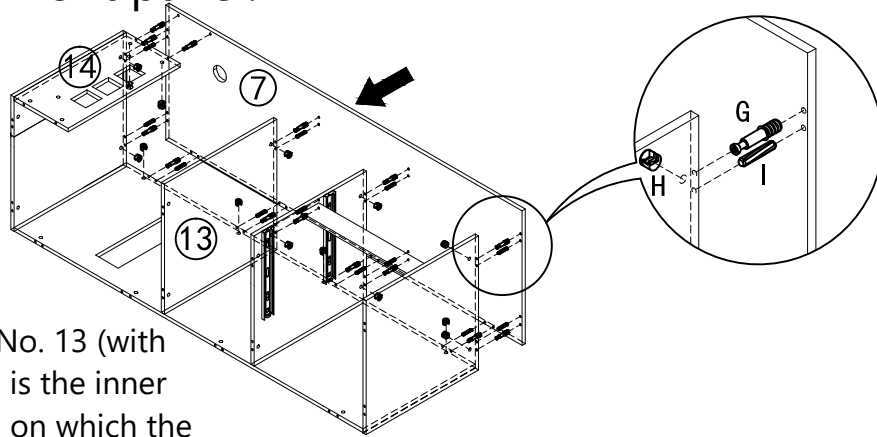
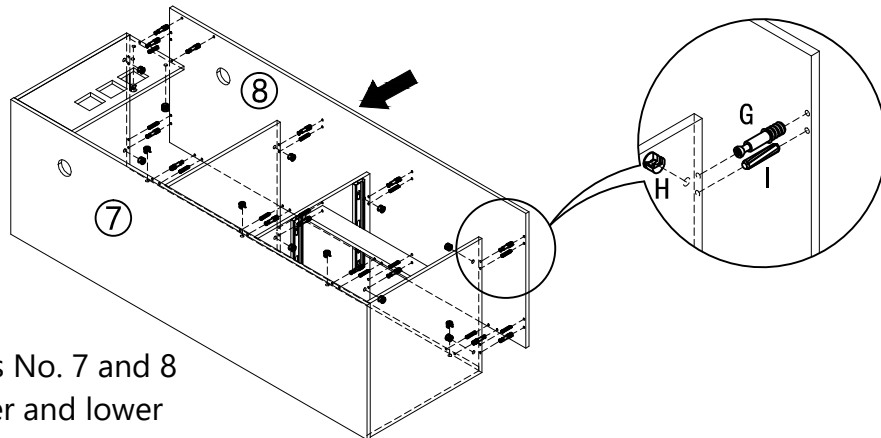




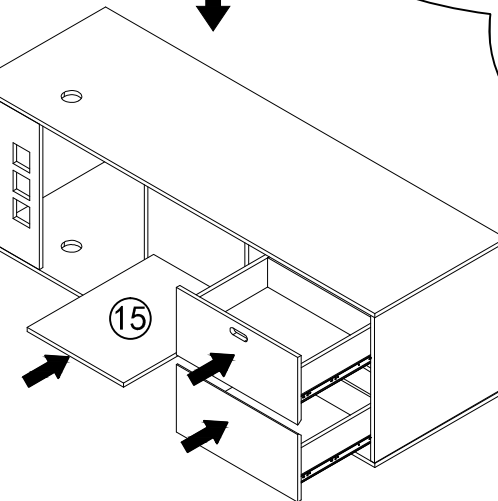
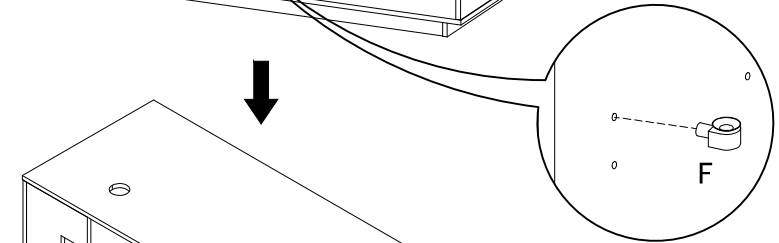
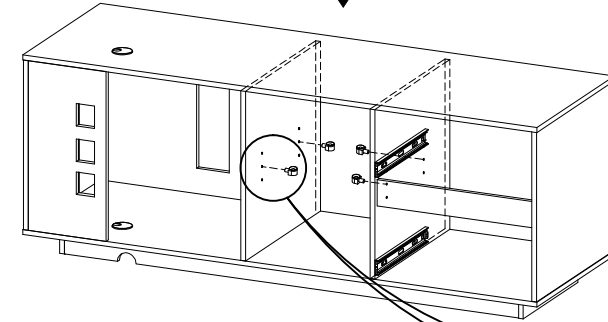
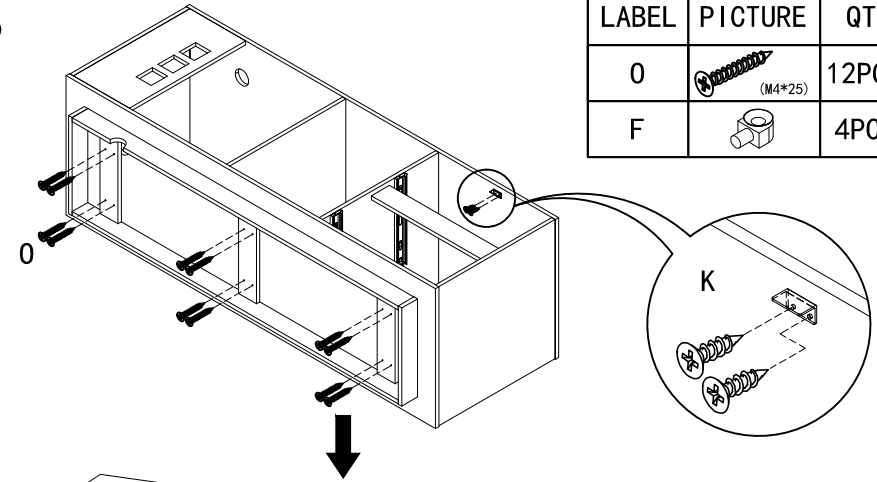
Plate No. 13 (with holes) is the inner panel, on which the movable shelf shall be placed.






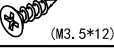
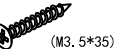
Plates No. 7 and 8 (upper and lower base plates) are interchangeable.

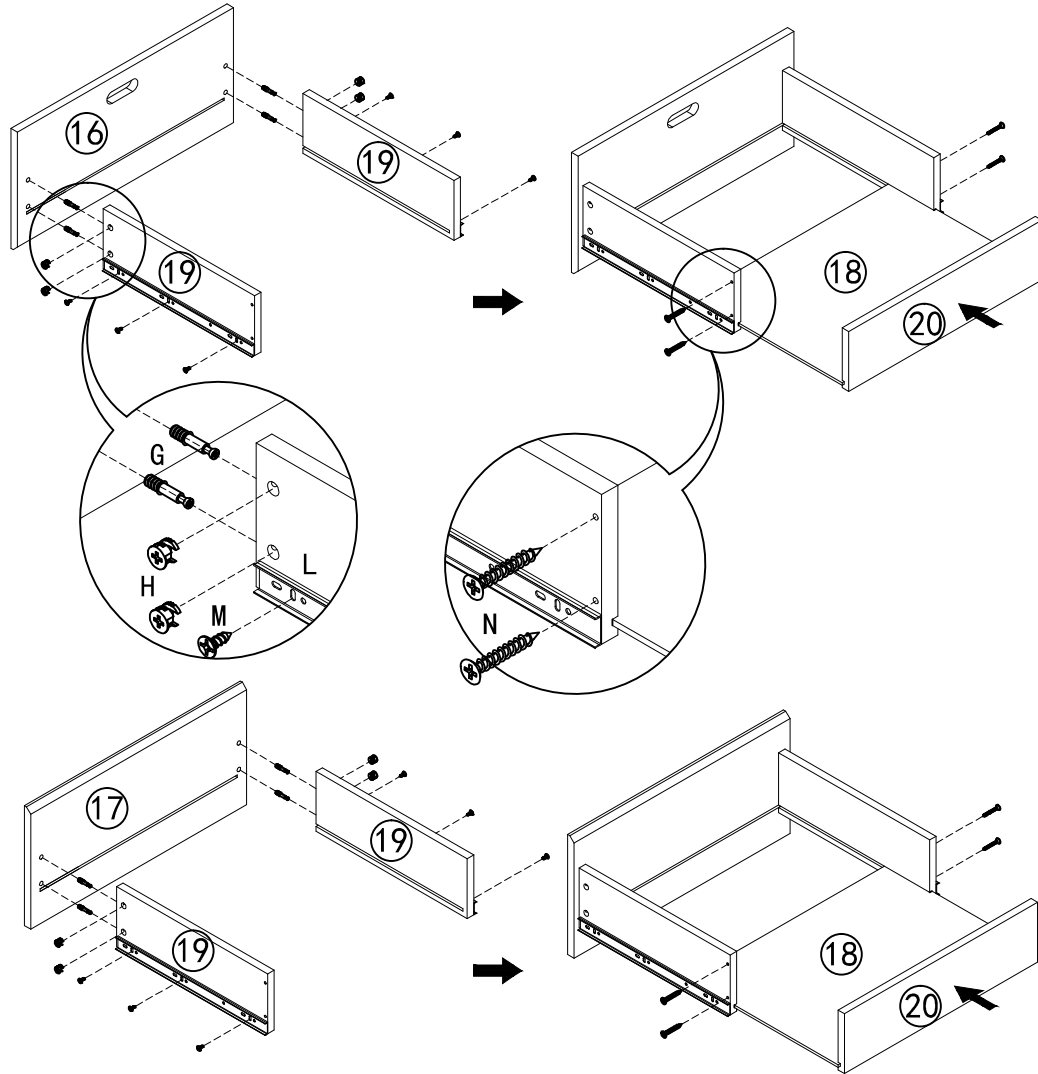
STEP 6

LABEL	PICTURE	QTY
O		12PCS
F		4PCS






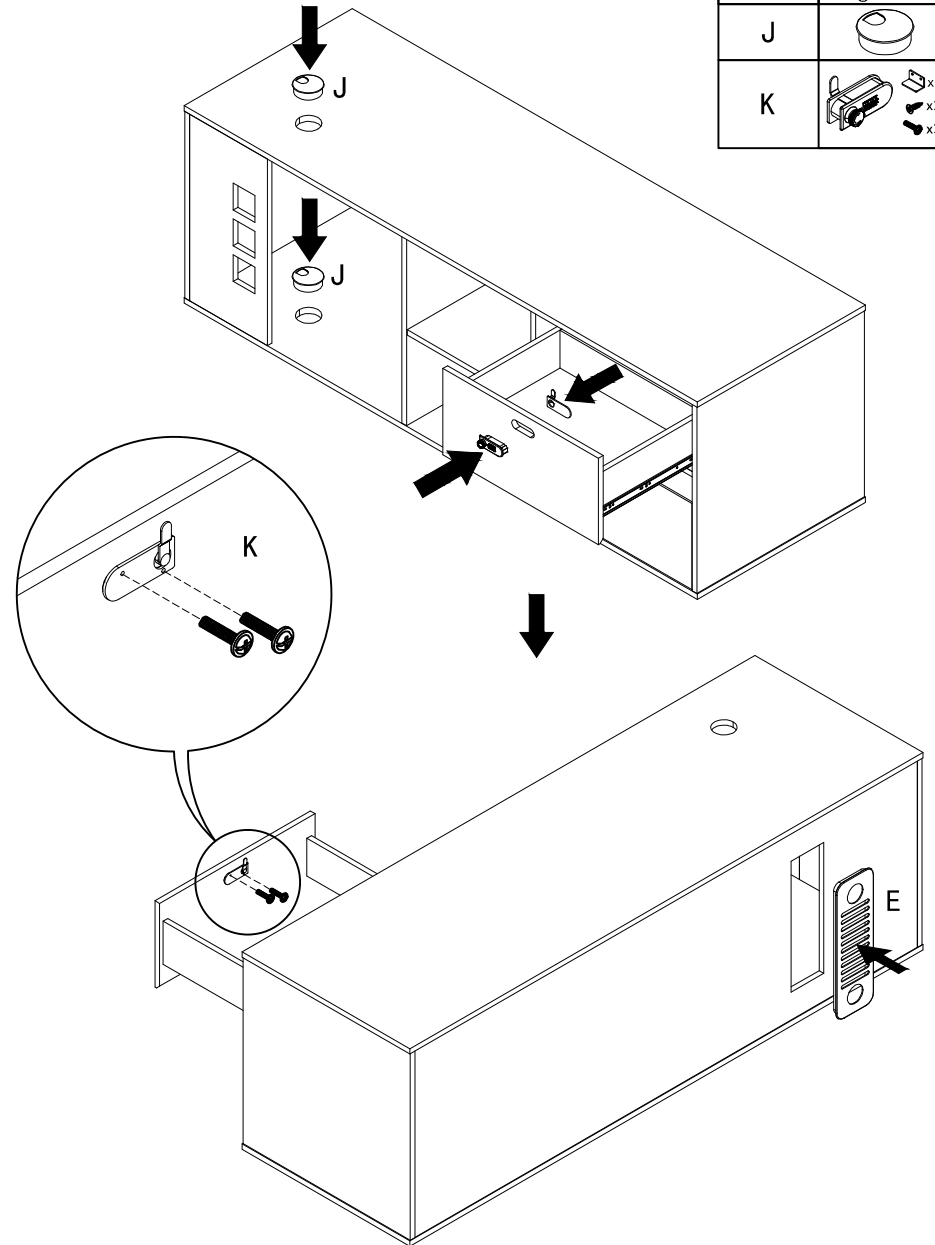
STEP 7

LABEL	PICTURE	QTY	LABEL	PICTURE	QTY
G		8PCS	L		2PCS
H		8PCS	M		12PCS
			N		8PCS





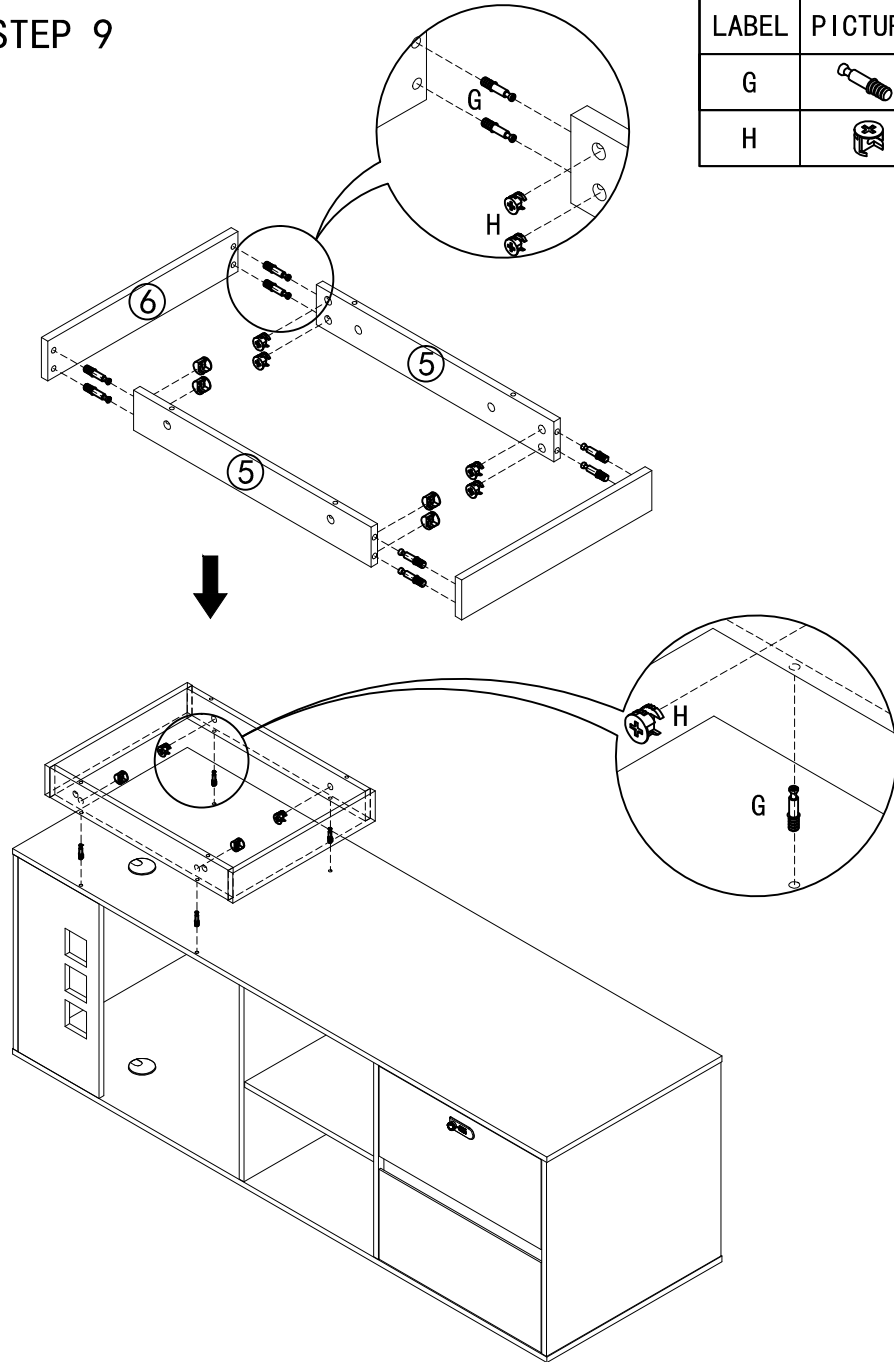
STEP 8

LABEL	PICTURE	QTY
E		1PC
J		2PCS
K		1PC





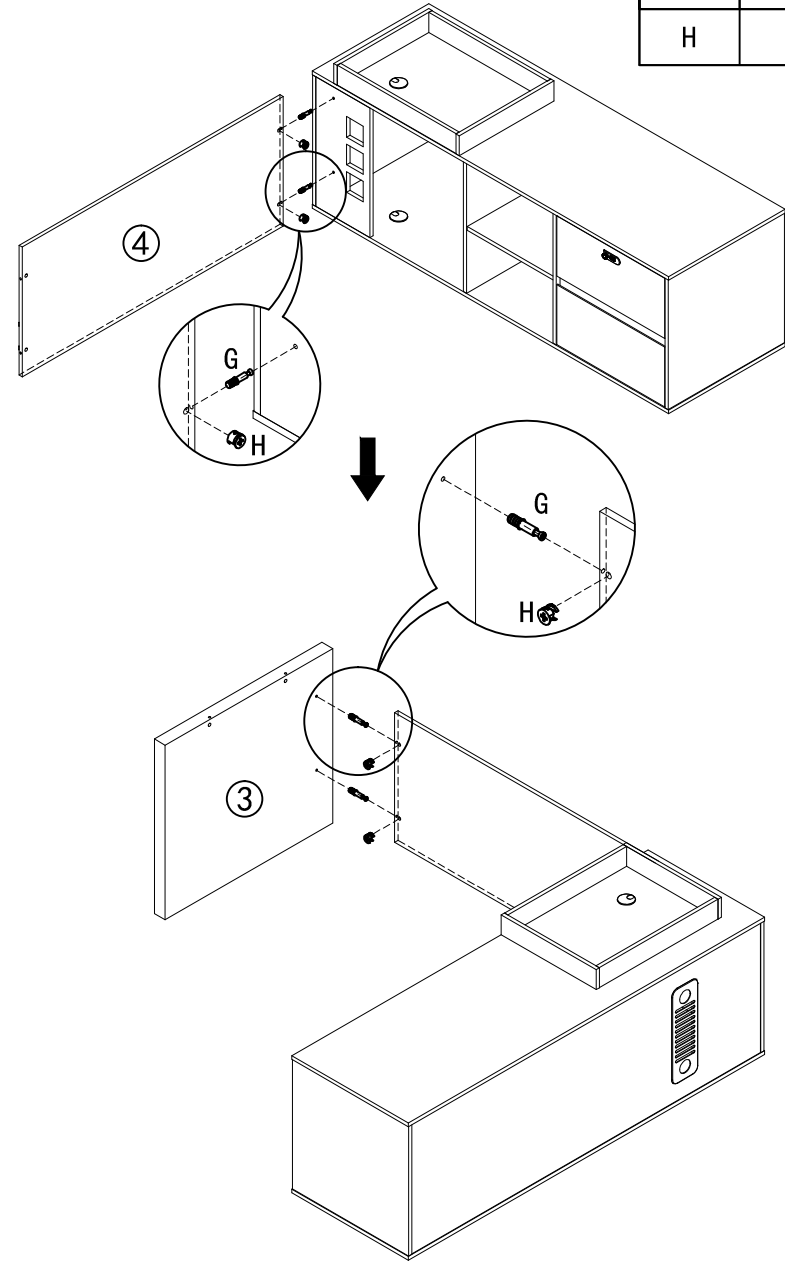
STEP 9

LABEL	PICTURE	QTY
G		12PCS
H		12PCS



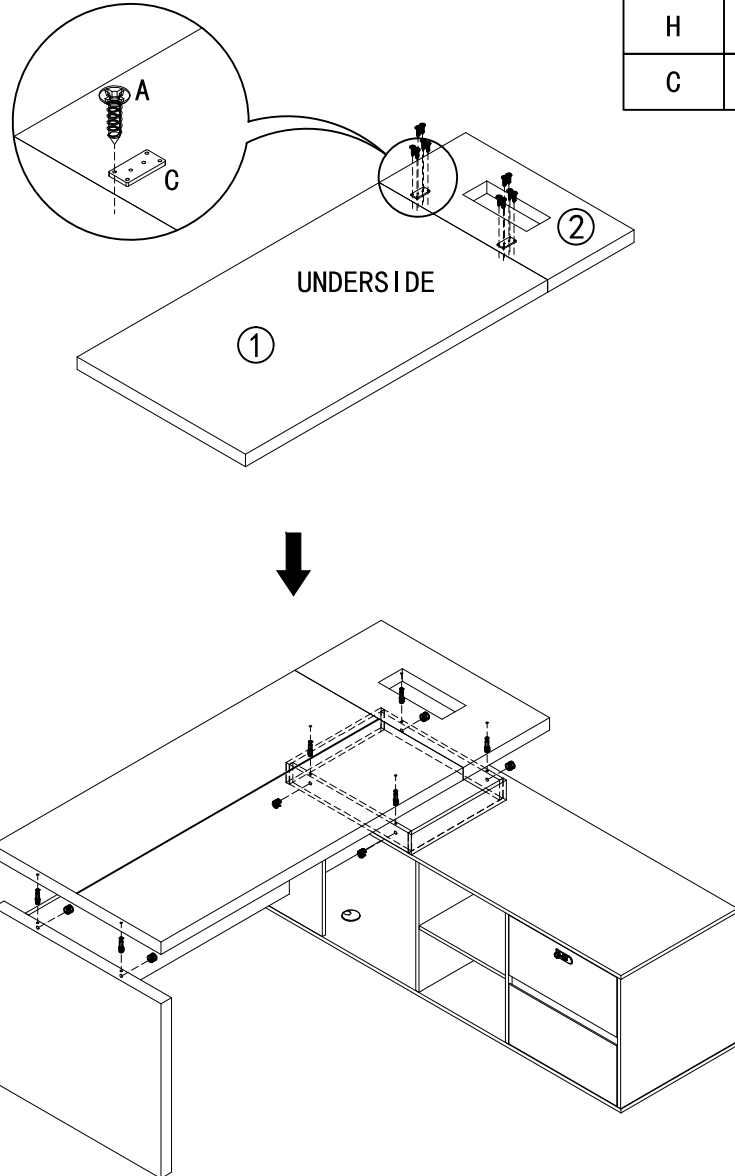
STEP 10

LABEL	PICTURE	QTY
G		4PCS
H		4PCS



STEP 11

LABEL	PICTURE	QTY
A	(M4*16)	12PCS
G		6PCS
H		6PCS
C		2PCS



STEP 12

LABEL	PICTURE	QTY
A	(M4*16)	20PCS
B		1PC
D		2PCS
P		2PCS

