

# Cocktail Table

## Product Size : 44"L\*20"W\*16"H

Our furniture products are made of high quality materials and are designed to last for many years. To ensure the longevity of your investment, please read the following maintenance instructions carefully.

### Wood Furniture Maintenance:

Wood furniture should be kept in a cool, dry place. Avoid direct sunlight and high humidity. Use coasters and placemats to protect the surface from heat and moisture. Clean spills immediately with a soft, damp cloth. Do not use harsh chemicals or abrasive cleaners. For a natural shine, use a wood polish or wax specifically designed for the type of wood. Avoid using furniture polish on veneered surfaces. To prevent scratches, use felt pads under chairs and stools. Do not use furniture polish on the legs or base of the table. If the surface becomes dull, sand it lightly with fine-grit sandpaper and refinish with a matching wood finish. Do not use furniture polish on the top surface of the table. To prevent water damage, do not place hot or cold objects directly on the surface. Use a trivet or hot pad for hot items. Do not use furniture polish on the top surface of the table. To prevent water damage, do not place hot or cold objects directly on the surface. Use a trivet or hot pad for hot items.

### High Gloss Resin Table Maintenance:

Resin tables are easy to clean but require special care. Use a soft, damp cloth to wipe away spills. Avoid using glass cleaners or ammonia. Do not use furniture polish or wax. To prevent scratches, use felt pads under chairs and stools. Do not use furniture polish on the top surface of the table. To prevent water damage, do not place hot or cold objects directly on the surface. Use a trivet or hot pad for hot items. Do not use furniture polish on the top surface of the table. To prevent water damage, do not place hot or cold objects directly on the surface. Use a trivet or hot pad for hot items.

### Granite Top Maintenance:

Granite is a natural stone and requires special care. Seal the surface regularly with a granite sealer. Avoid using acidic cleaners like vinegar or lemon juice. Do not use furniture polish or wax. To prevent scratches, use felt pads under chairs and stools. Do not use furniture polish on the top surface of the table. To prevent water damage, do not place hot or cold objects directly on the surface. Use a trivet or hot pad for hot items. Do not use furniture polish on the top surface of the table. To prevent water damage, do not place hot or cold objects directly on the surface. Use a trivet or hot pad for hot items.

### Marble Top Maintenance :

Marble is a natural stone and requires special care. Seal the surface regularly with a marble sealer. Avoid using acidic cleaners like vinegar or lemon juice. Do not use furniture polish or wax. To prevent scratches, use felt pads under chairs and stools. Do not use furniture polish on the top surface of the table. To prevent water damage, do not place hot or cold objects directly on the surface. Use a trivet or hot pad for hot items. Do not use furniture polish on the top surface of the table. To prevent water damage, do not place hot or cold objects directly on the surface. Use a trivet or hot pad for hot items.

### Caring for the Fabric on Upholstered Furniture:

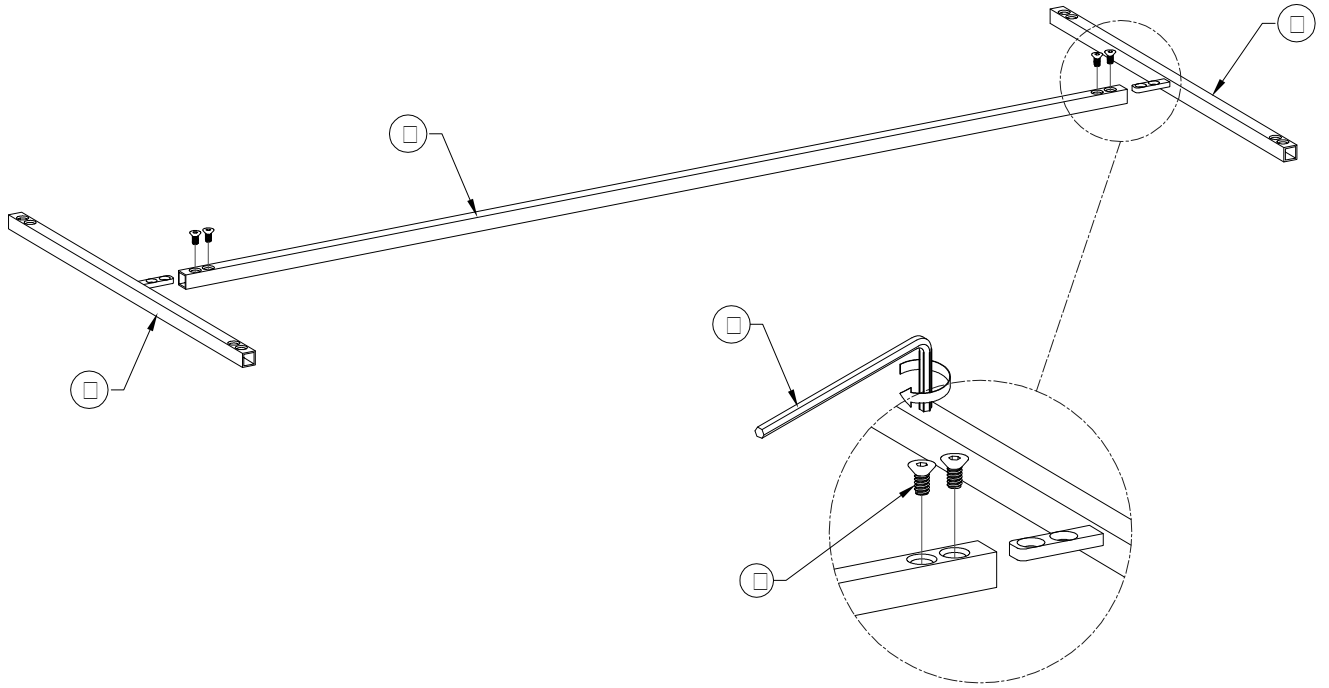
Upholstered furniture should be kept in a cool, dry place. Avoid direct sunlight and high humidity. Use coasters and placemats to protect the surface from heat and moisture. Clean spills immediately with a soft, damp cloth. Do not use harsh chemicals or abrasive cleaners. For a natural shine, use a wood polish or wax specifically designed for the type of wood. Avoid using furniture polish on veneered surfaces. To prevent scratches, use felt pads under chairs and stools. Do not use furniture polish on the legs or base of the table. If the surface becomes dull, sand it lightly with fine-grit sandpaper and refinish with a matching wood finish. Do not use furniture polish on the top surface of the table. To prevent water damage, do not place hot or cold objects directly on the surface. Use a trivet or hot pad for hot items. Do not use furniture polish on the top surface of the table. To prevent water damage, do not place hot or cold objects directly on the surface. Use a trivet or hot pad for hot items.

## VERY IMPORTANT !!

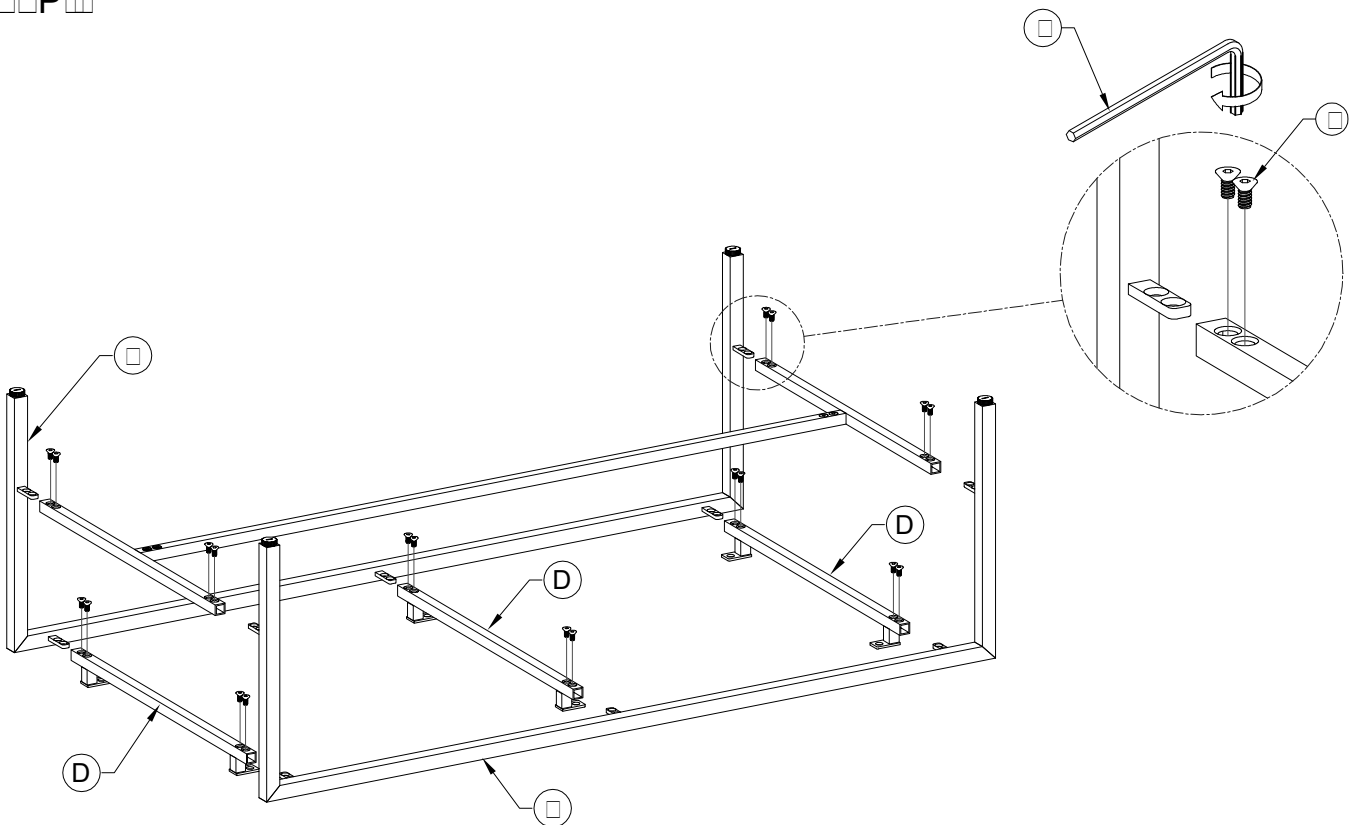
<p><b>NEVER</b> USE GLASS CLEANERS ON FINISHED SURFACE. AMMONIA WILL CHEMICALLY ATTACK THE FINISH.</p>	<p><b>DO NOT WRITE DIRECTLY ON SURFACE</b> </p> <p style="text-align: center; color: blue;">PREVENT MARKING</p>	<p><b>DO NOT PLACE DIRECTLY IN SUNLIGHT</b> </p> <p style="text-align: center; color: blue;">PREVENT FADING</p>	<p><b>DO NOT WRITE PLACEMATS WITH RUBBER BASES</b> </p> <p style="text-align: center; color: blue;">PREVENT DISCOLORING</p>
<p><b>NEVER</b> ALLOW LIQUIDS OF ANY KIND TO LINGER ON SURFACE. ABSORPTION CAUSES THE WOOD TO WARP AND THE FINISH TO DE-LAMINATE.</p>	<p><b>DO NOT USE COMMERCIAL POLISHES AND WAXES</b> </p> <p style="text-align: center; color: blue;">PREVENT YELLOWING</p>	<p><b>DO NOT PLACE HOT POTS, ETC ON SURFACE</b> </p> <p style="text-align: center; color: blue;">PREVENT DAMAGE TO FINISH</p>	<p><b>DO NOT USE COMMERCIAL POLISHES AND WAXES</b> </p> <p style="text-align: center; color: blue;">PREVENT SPLITTING</p>

# ASSEMBLY INSTRUCTIONS

□□□P□

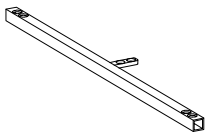

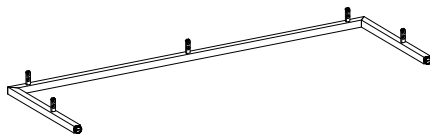
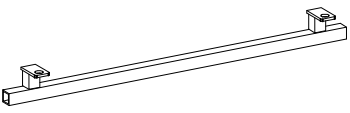
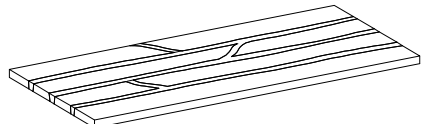


□□□P□









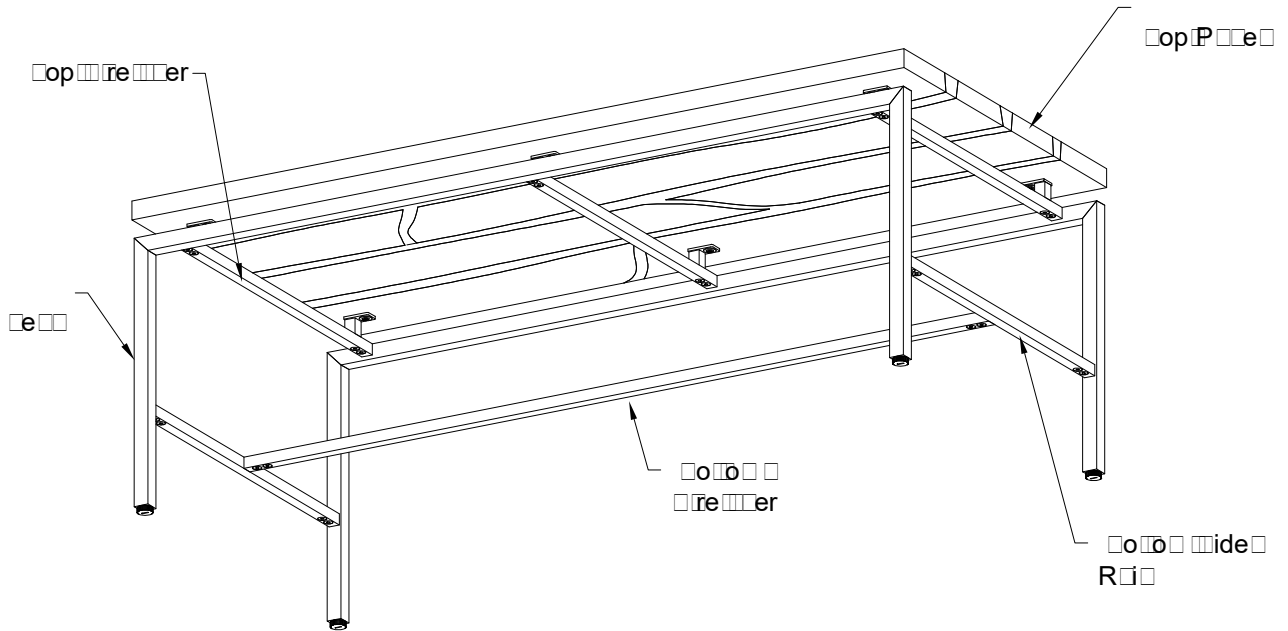
# PARTS LIST

<p>□□□□O□□□OM□□ID□□R□□□ □□P□□□</p>	<p>□□□□O□□□OM□□□R□□□□□R □□P□□</p>	<p>□□□□□□□□□□P□□□</p>
		
<p>□□□□OP□□□R□□□□□R □□P□□□</p>	<p>□□□□OP□□□□□□□□P□□</p>	
		

# HARDWARE PACK

NO.	DESCRIPTION		DIMENSION	Q' TY
□	□□□□□□□□O□□		□ □□□" □□□□"	□□P□□
□	□□□□□□□□□□□R		□ □□□" □□□□	□P□□
□	□□R□□		□ □□□□" □□□□"	□P□□
□	□□□□□□□□□□		□ □□□□	□P□

# PARTS FOR COMPLETE HARDWARE



## PRODUCT DETAILS

0000000000000000

Product  
 Description  
 Production  
 Information  
 Identification  
 Code

Material  
 Dimensions  
 Weight  
 Color  
 Finish