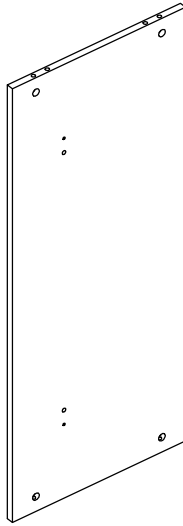


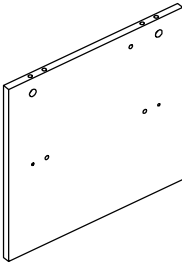
Ax1



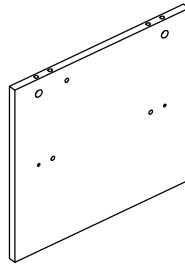
Bx1



Cx1



Dx1



Ex1



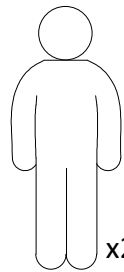
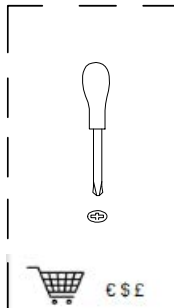
Fx12



Gx10

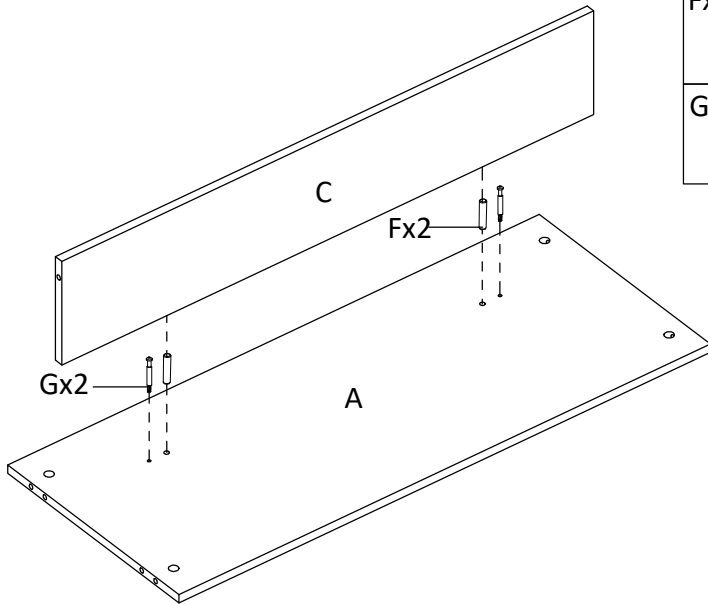


Hx10



x2

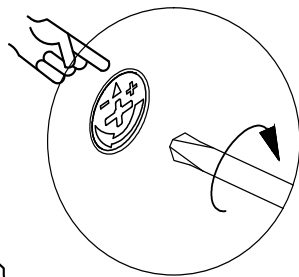
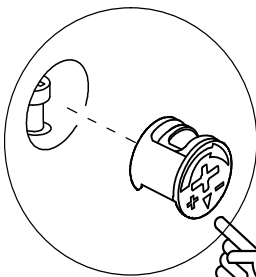
①



Fx2

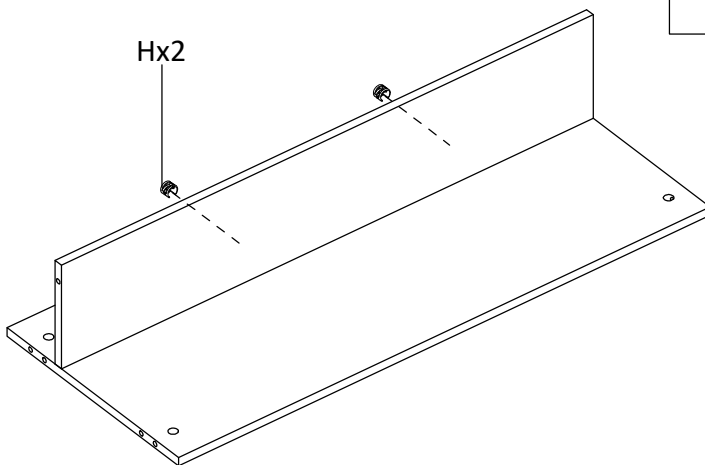


Gx2



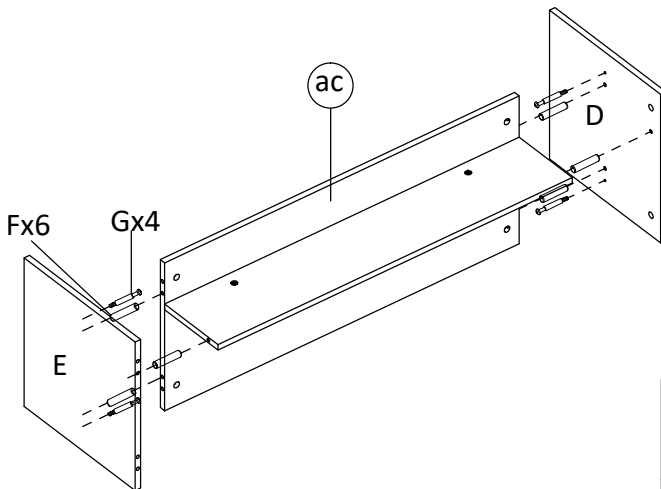
②

Hx2



ac

③



Fx6

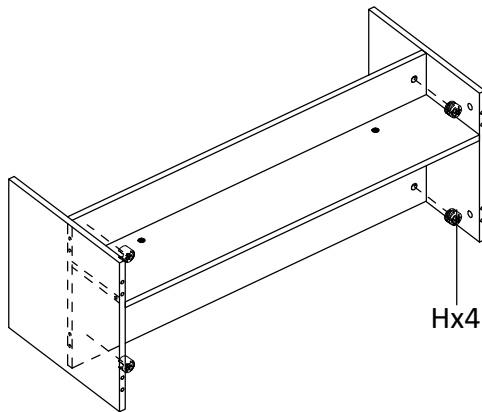


Gx4



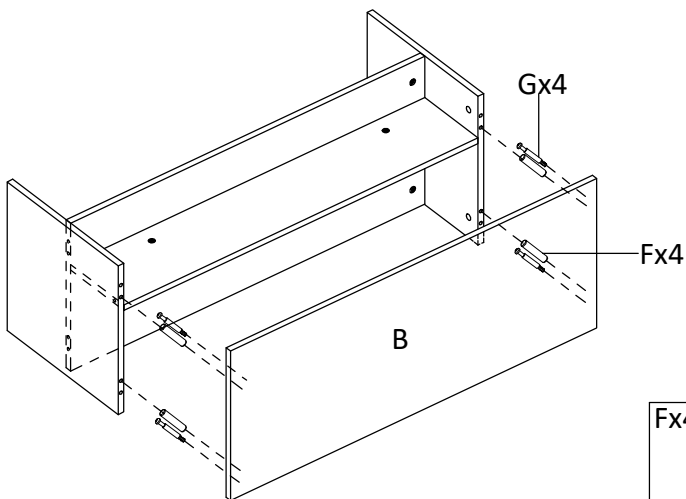
4

Hx4



Hx4

5



Gx4

Fx4

B

Fx4

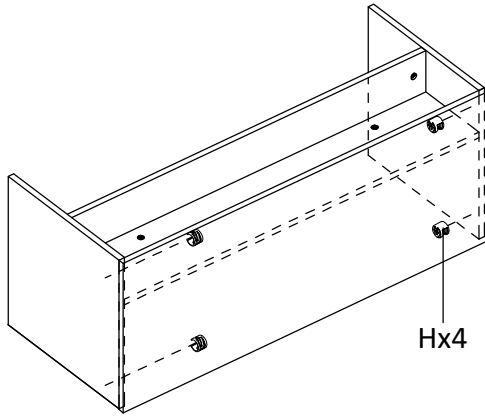


Gx4



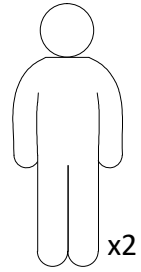
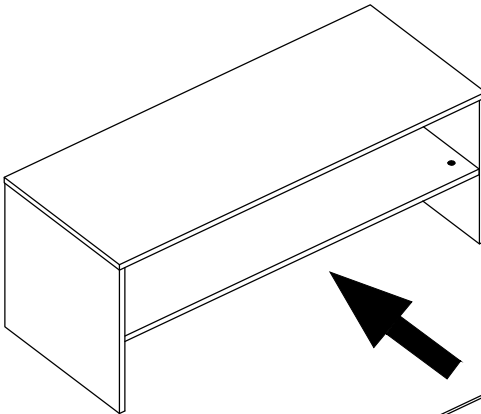
6

Hx4

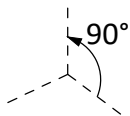


Hx4

7



x2



90°