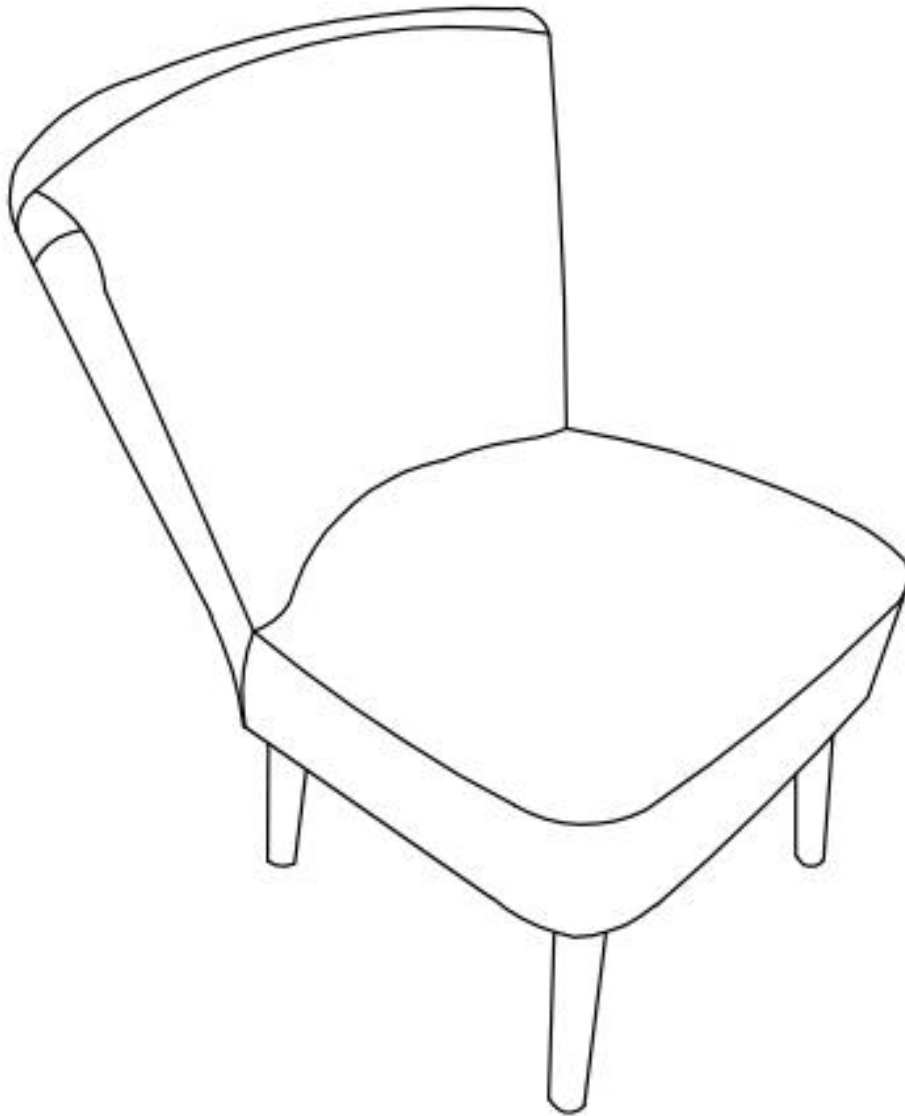


Armless Accent Chair









IMPORTANT INSTRUCTIONS

1. Please read all instructions prior to assembling this product.
2. To avoid damage, assemble chair on a nonabrasive surface such as carpet.
3. Make sure all parts are securely attached before using the chair.

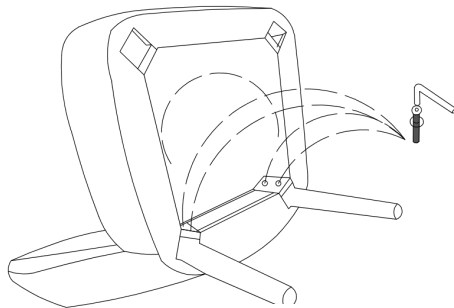
Please visually inspect all components before beginning assembly

PARTS LIST

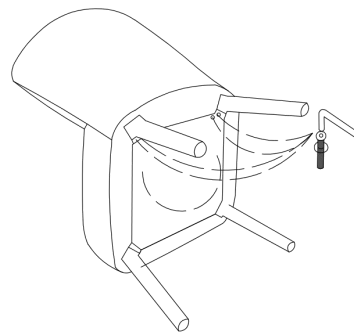
A.Body (1)	B. Front Legs (2)	C. Back Legs (2)
		
D.Allen Wrench(1)	E.Washers(8)	F.65mm Screws(8)
		 65MM

ASSEMBLY INSTRUCTIONS

Step 1: Place the back of the chair on the ground with the front side facing up. Attach the seat using the allen wrench to screw in 5 screws with washers.



Step 2: Attach the front legs to the seat using the allen wrench to screw in 4 screws with washers.



Your armless slipper chair is now ready for use.

