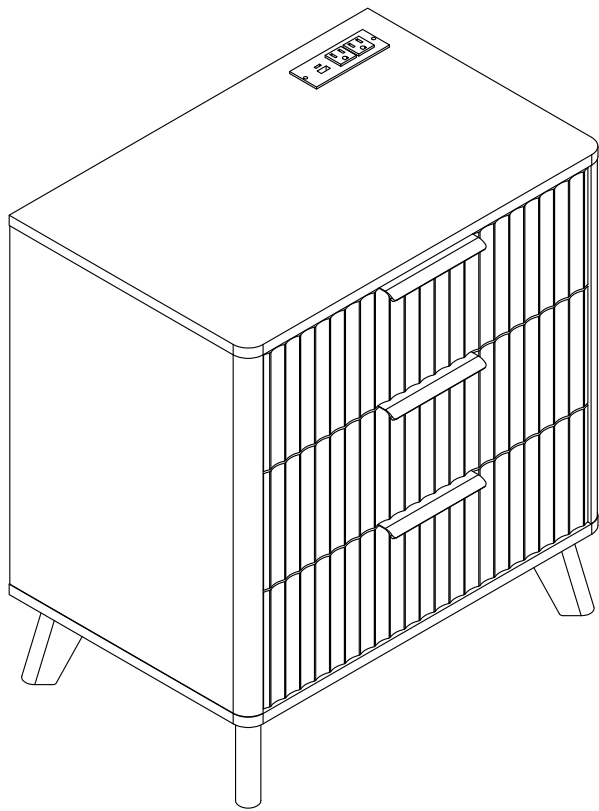
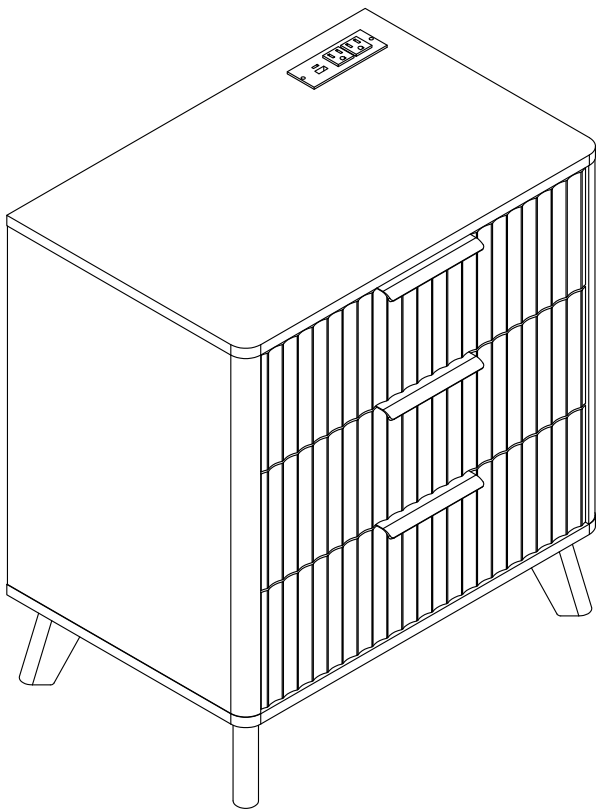
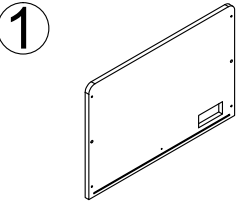
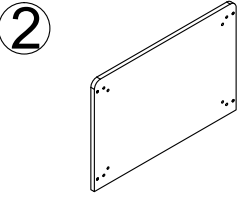
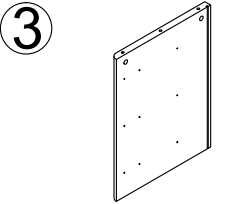
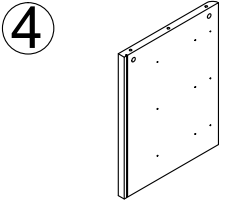
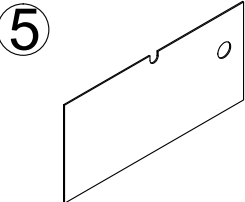
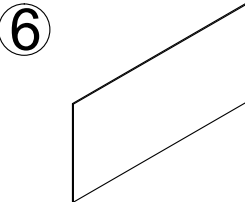
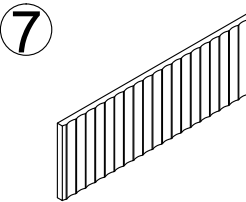
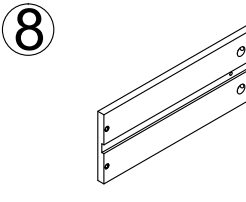
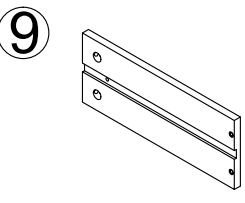
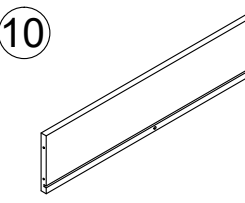
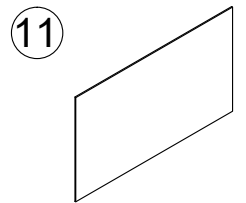
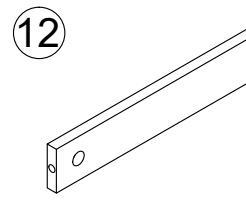
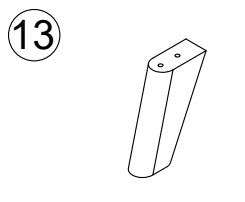
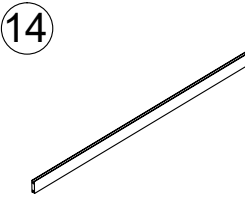








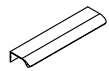










Assembly Instruction



			
2PCS	2PCS	2PCS	2PCS
			
2PCS	2PCS	6PCS	6PCS
			
6PCS	6PCS	6PCS	6PCS
			
8PCS	2PCS		

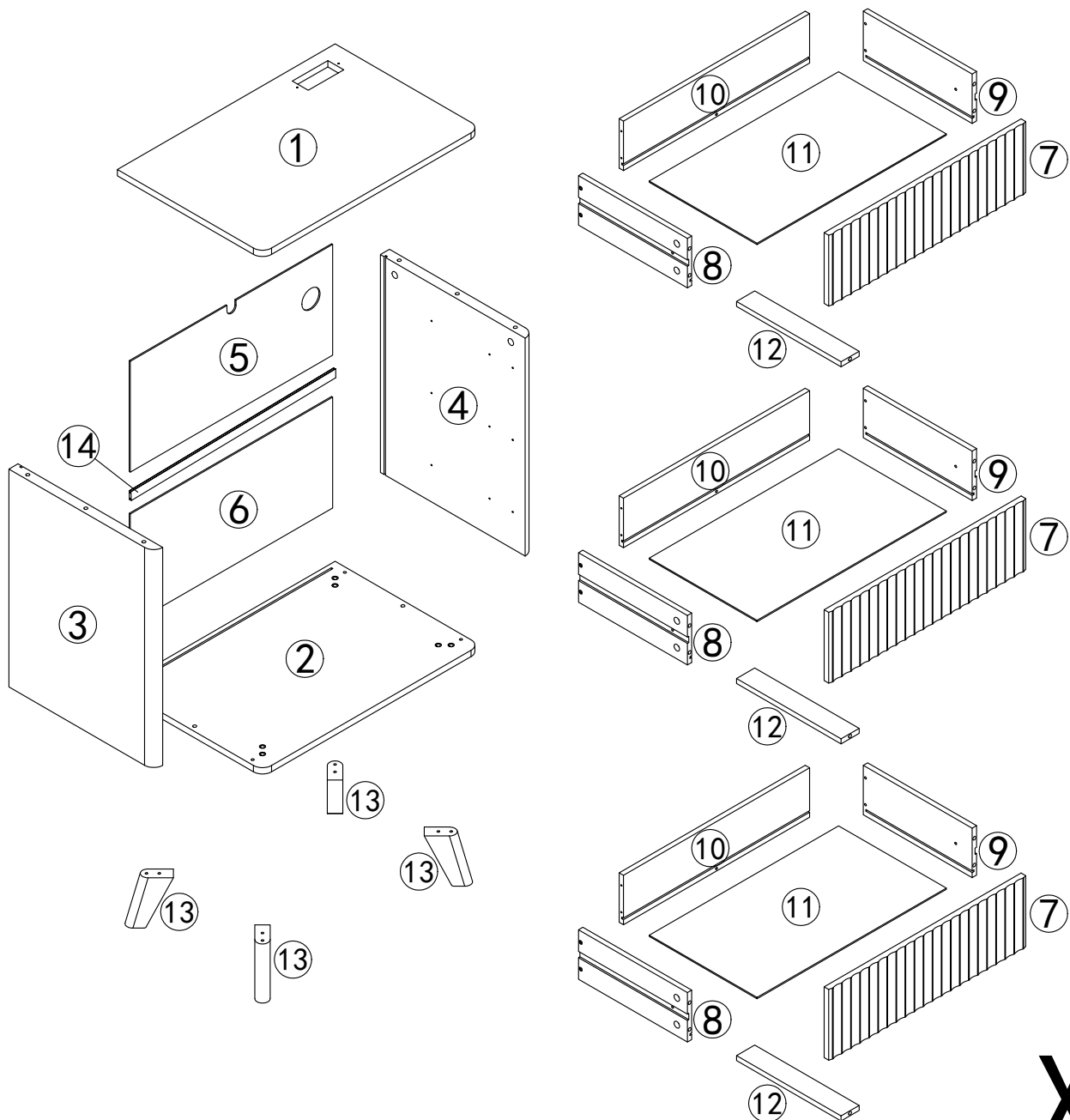
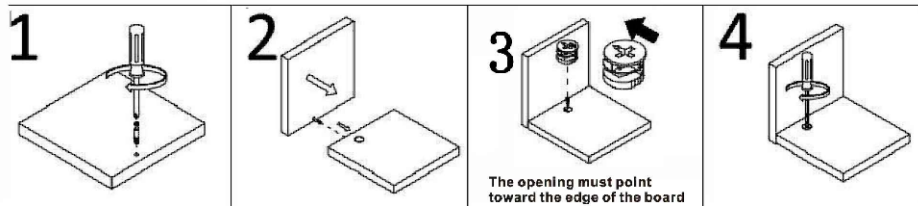
A	X38	B	X38	C	X52	D	X8	E	X1	F	X8	G	X8	H	X12
															
M6x35mm		Ø15x9mm		M3.5x12mm		M3x16mm		4mm		M5x40mm		Ø8x30mm		M4x10mm	

I	X6	J	X32	K	X2	M	X2	N	X2	O	X12	P	X8	Q	X2
															
		M4x35mm		Ø6x30mm				M4x12mm							

S	X16
	
M7x50mm	

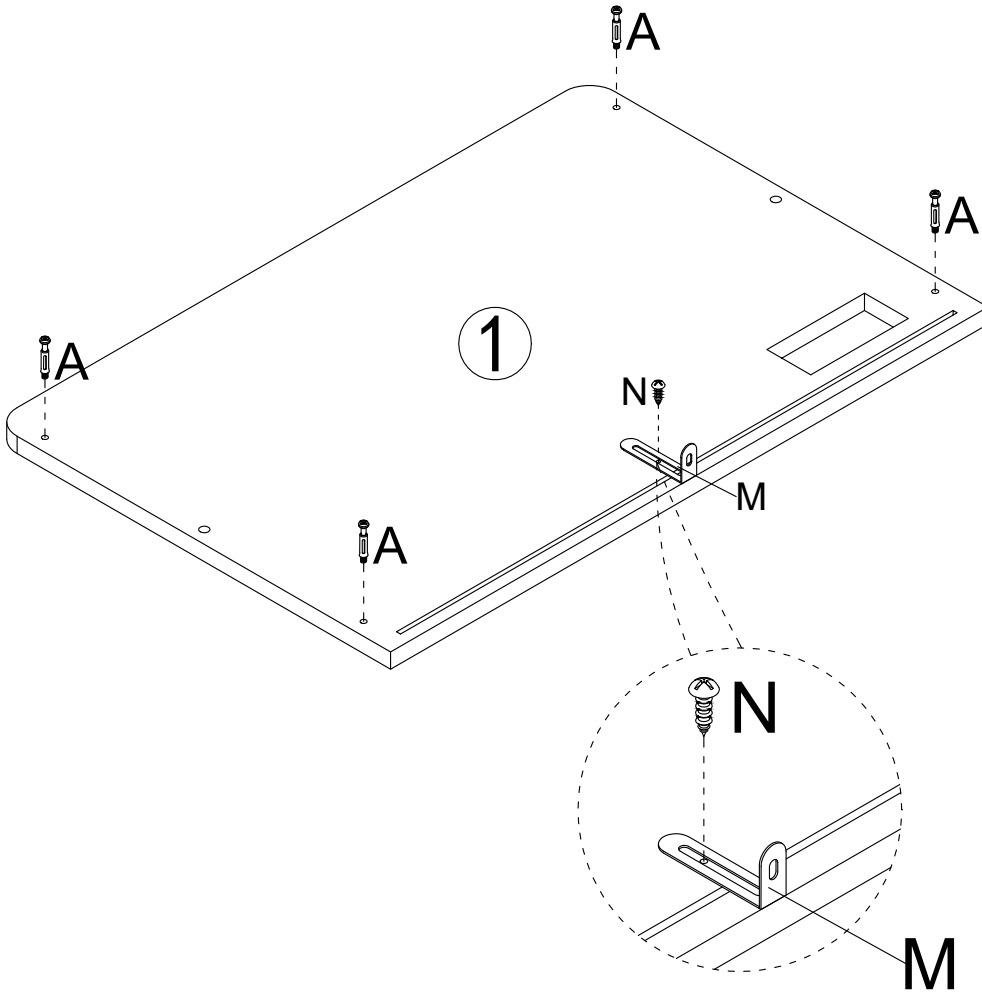
Cam Lock Fastening System

Insert the cam bolt into the hole first, then insert the cam lock and lock it.





X2


1



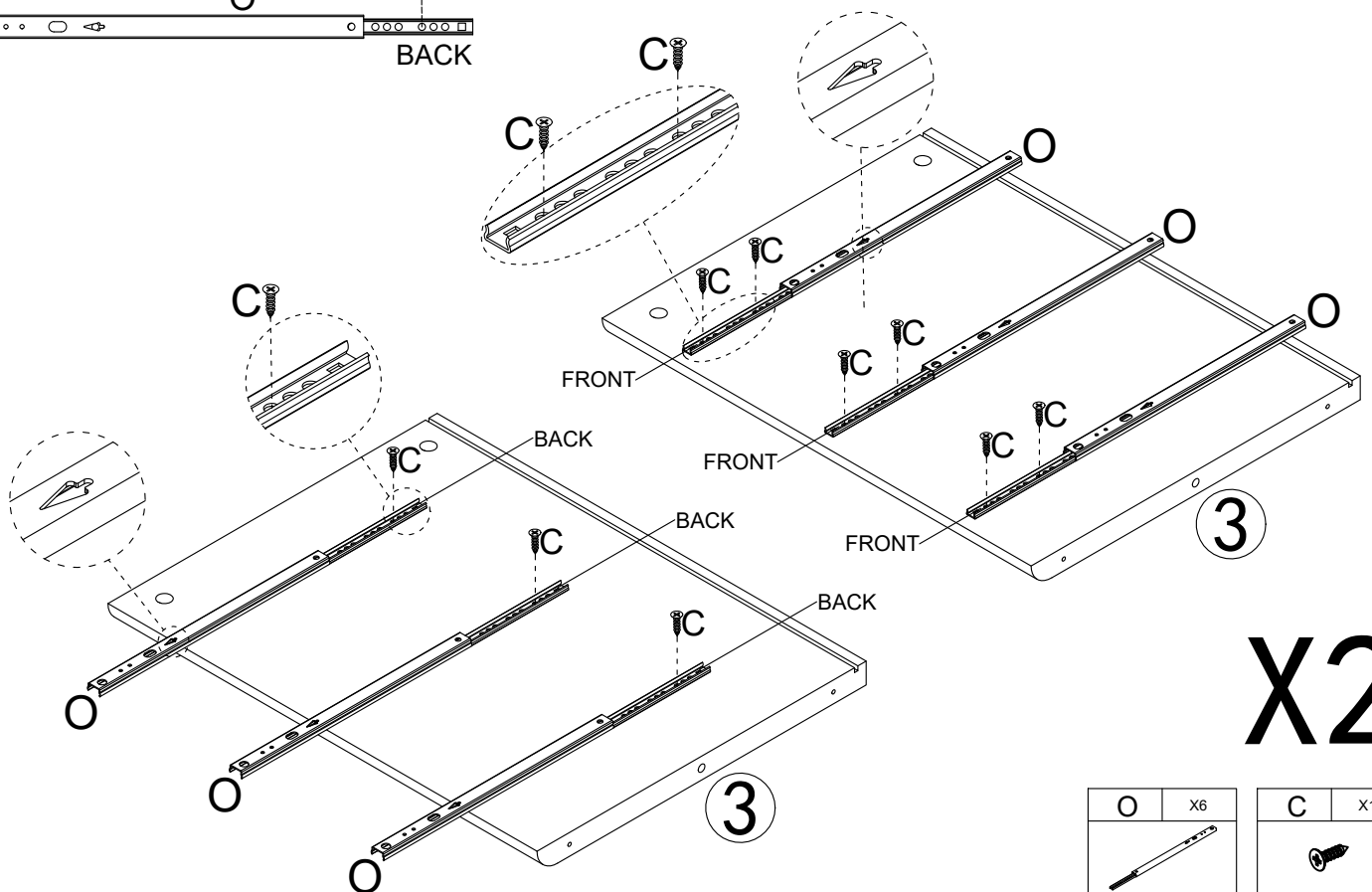
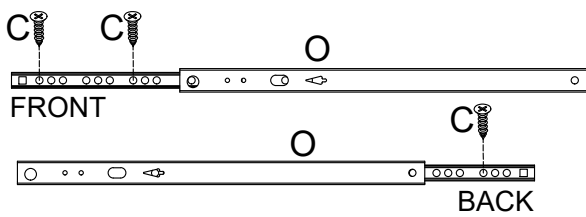
X2

A	X8
	
M6x35mm	

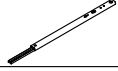
M	X2
	


N	X2
	
M4x12mm	

2

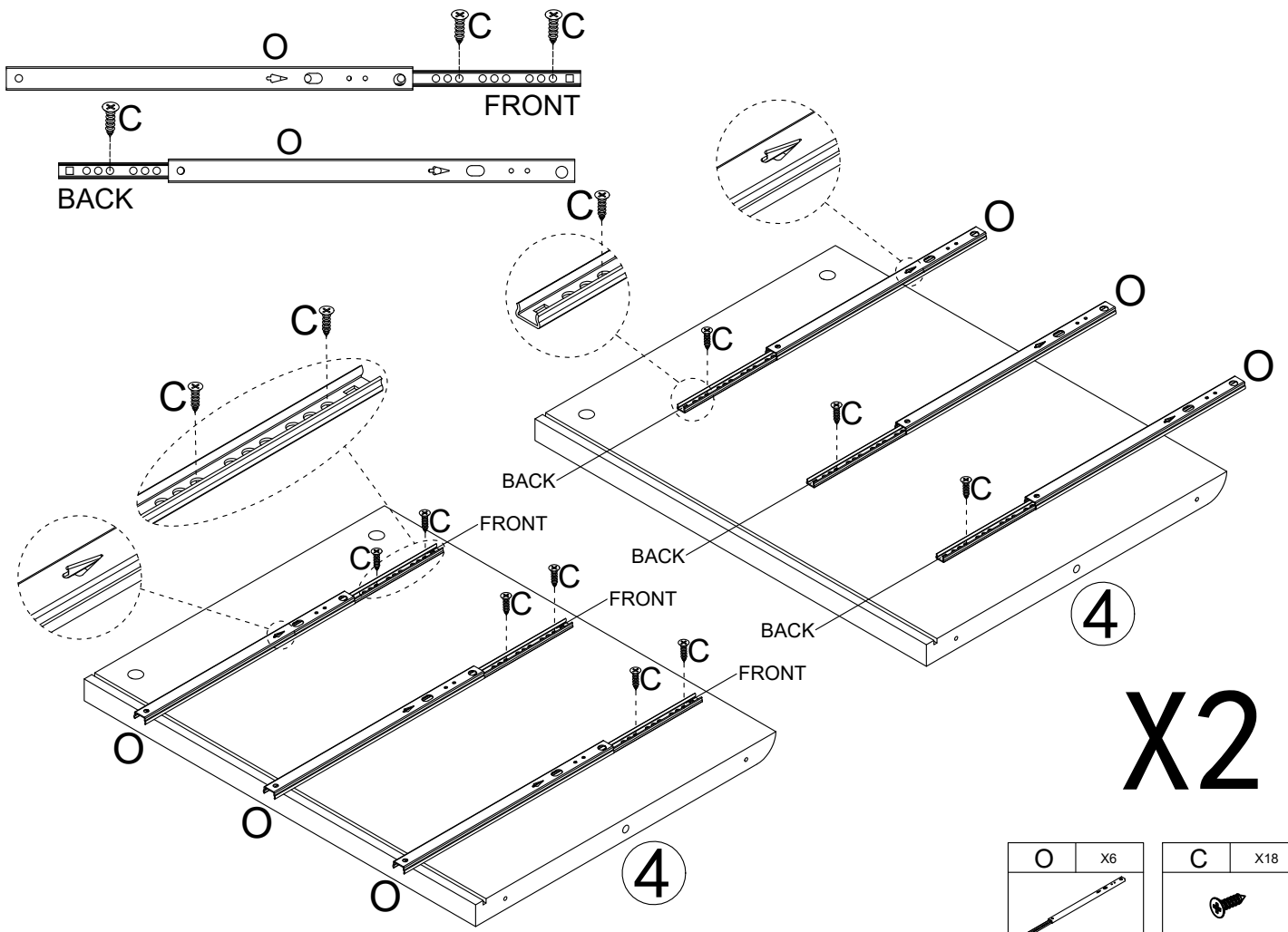


X2

O	X6
	

C	X18
	
M3.5x12mm	

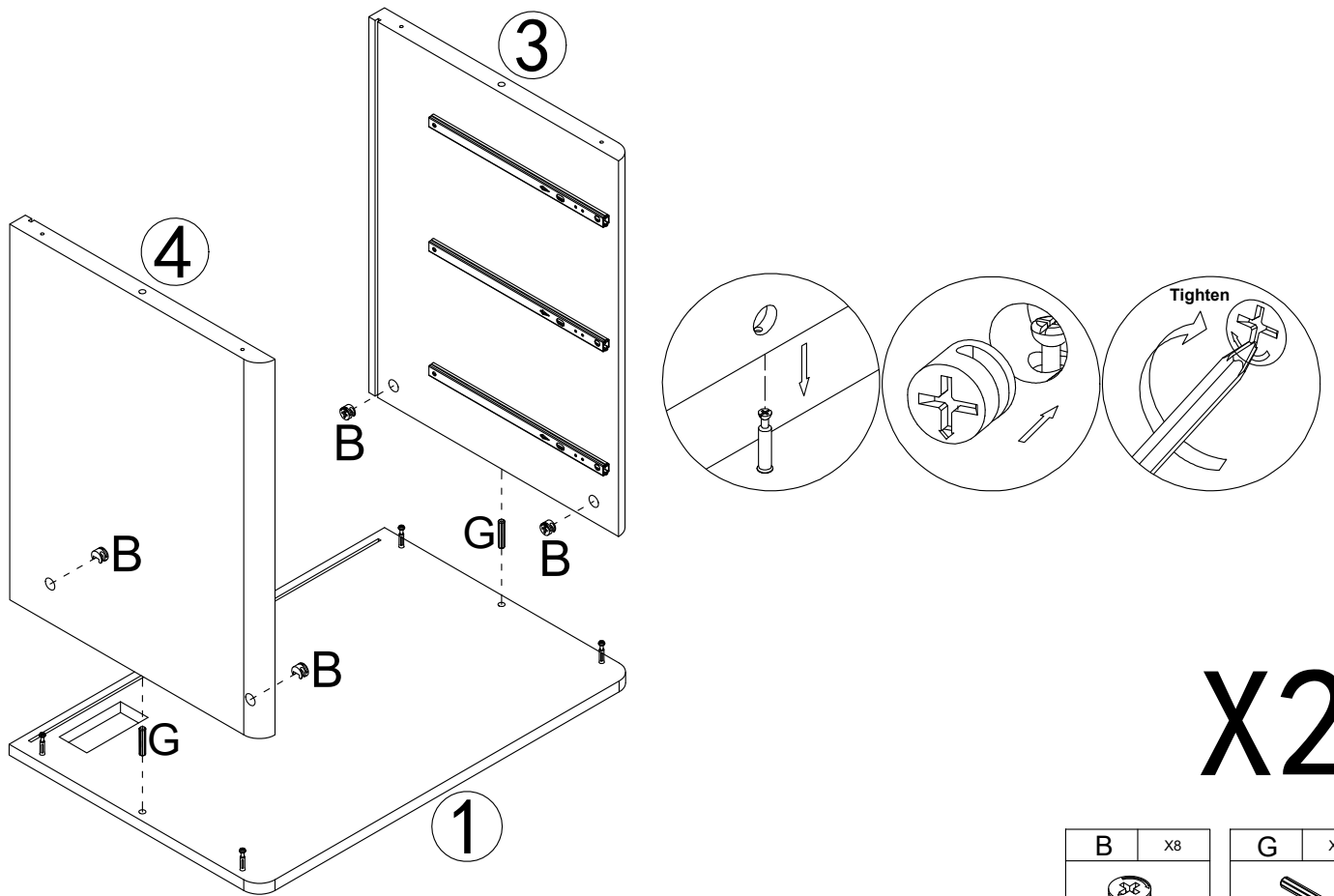
3



O	X6

C	X18
M3.5x12mm	

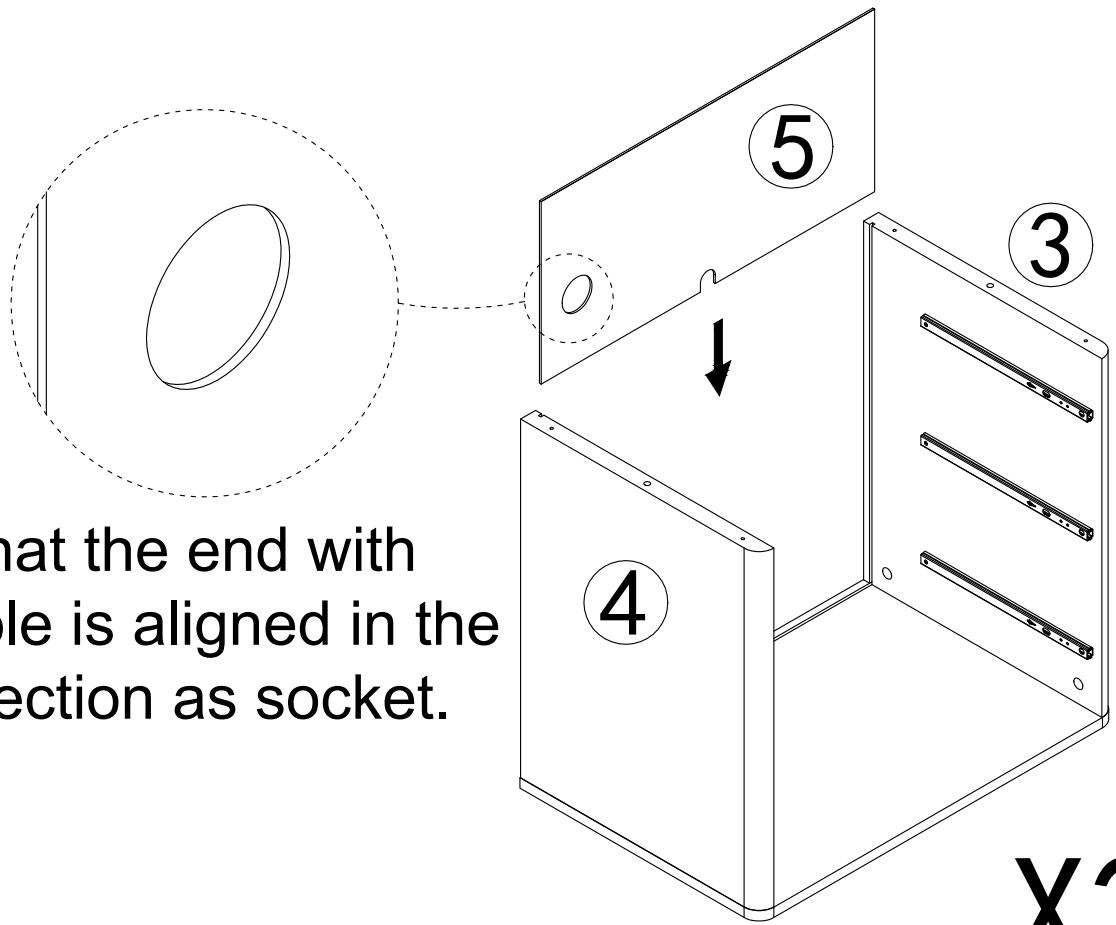
4



B	X8
Ø15x9mm	

G	X4
Ø8x30mm	

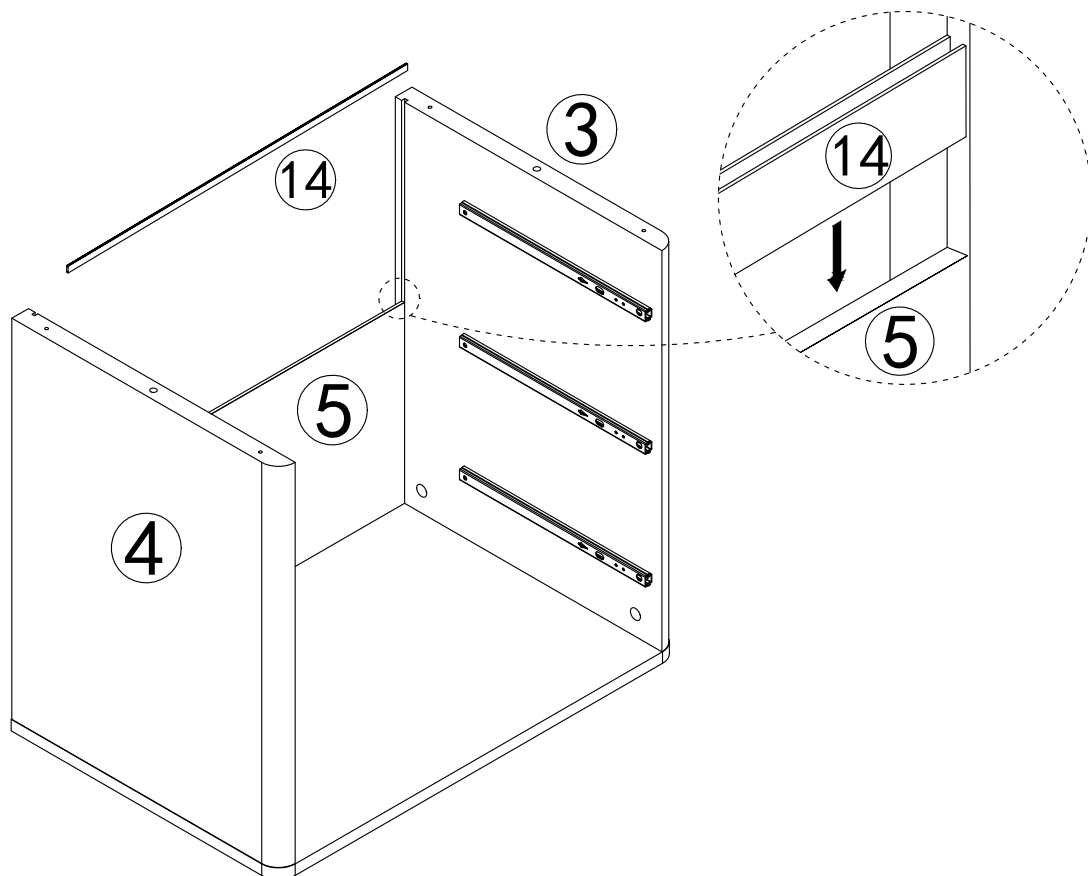
5



Ensure that the end with power hole is aligned in the same direction as socket.

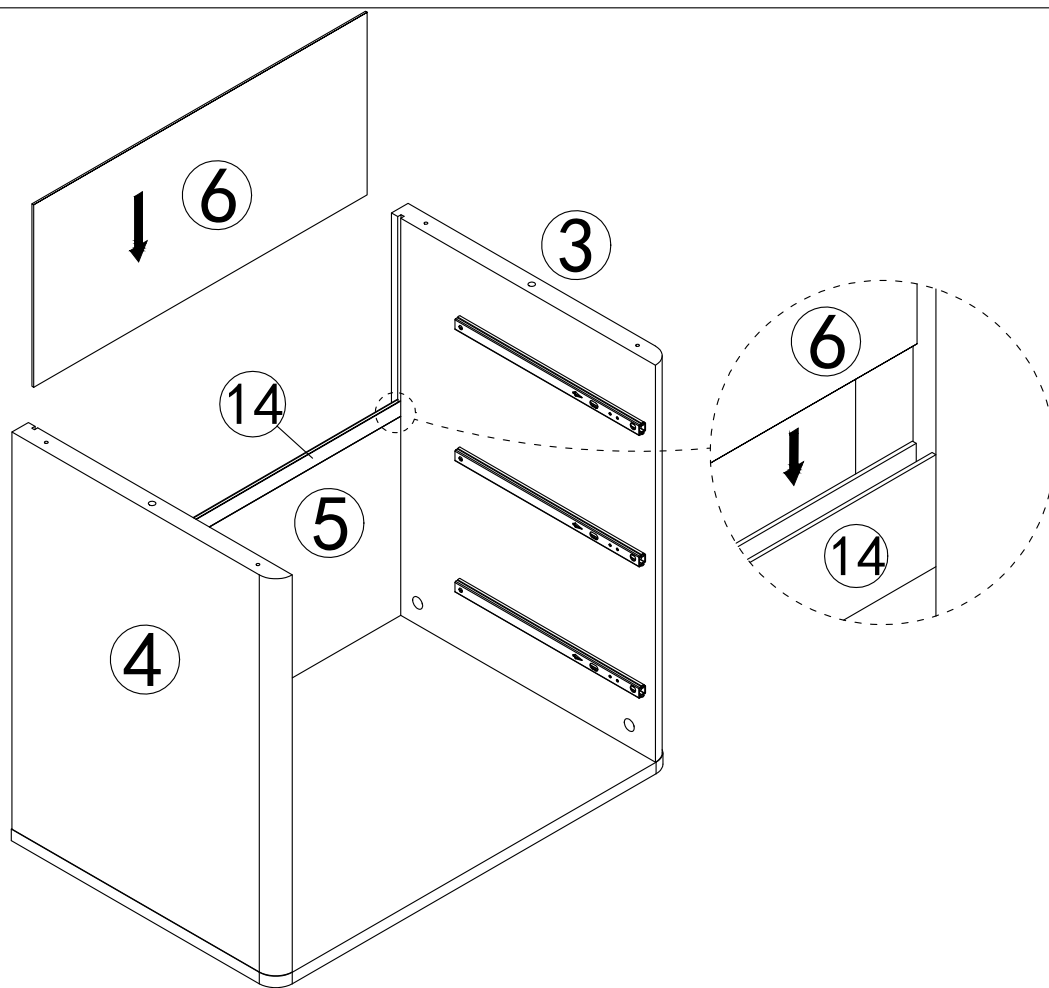
X2

6



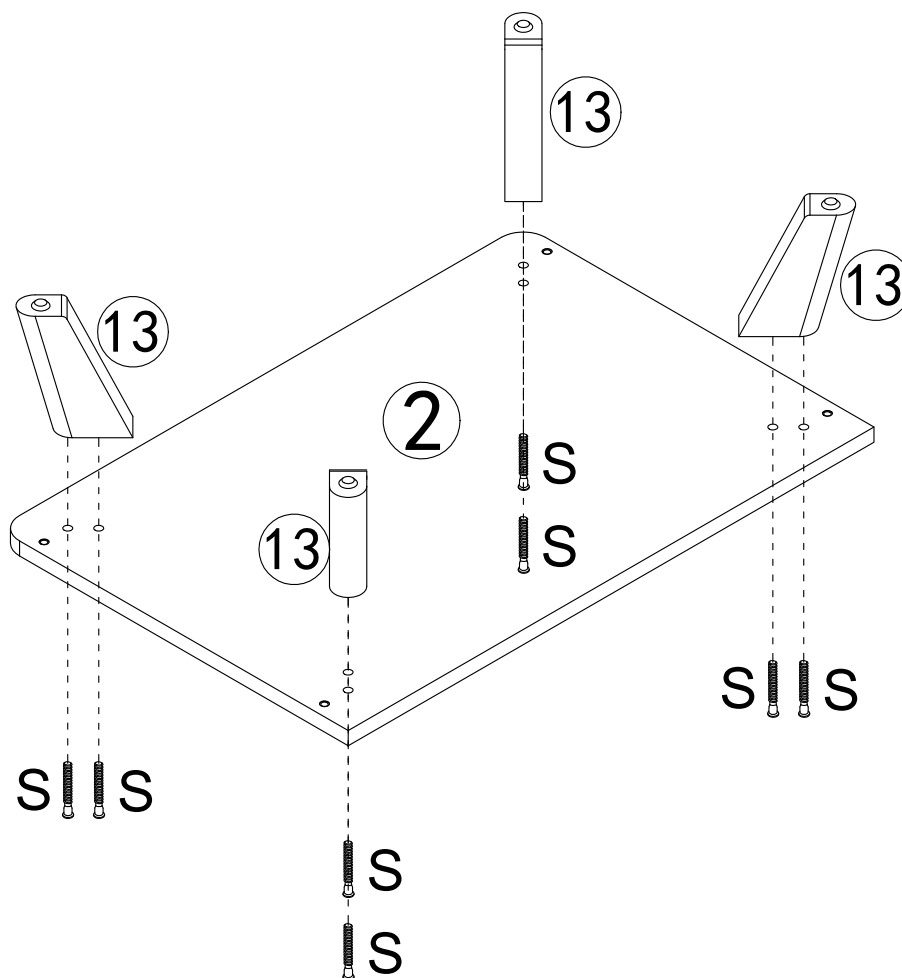
X2

7




X2

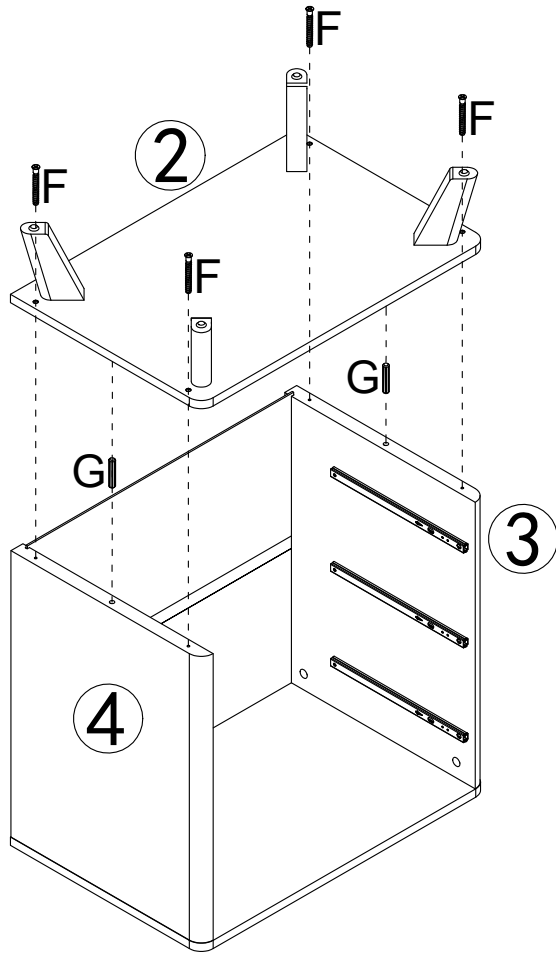
8




X2


H	X16
	
M7x50mm	

9

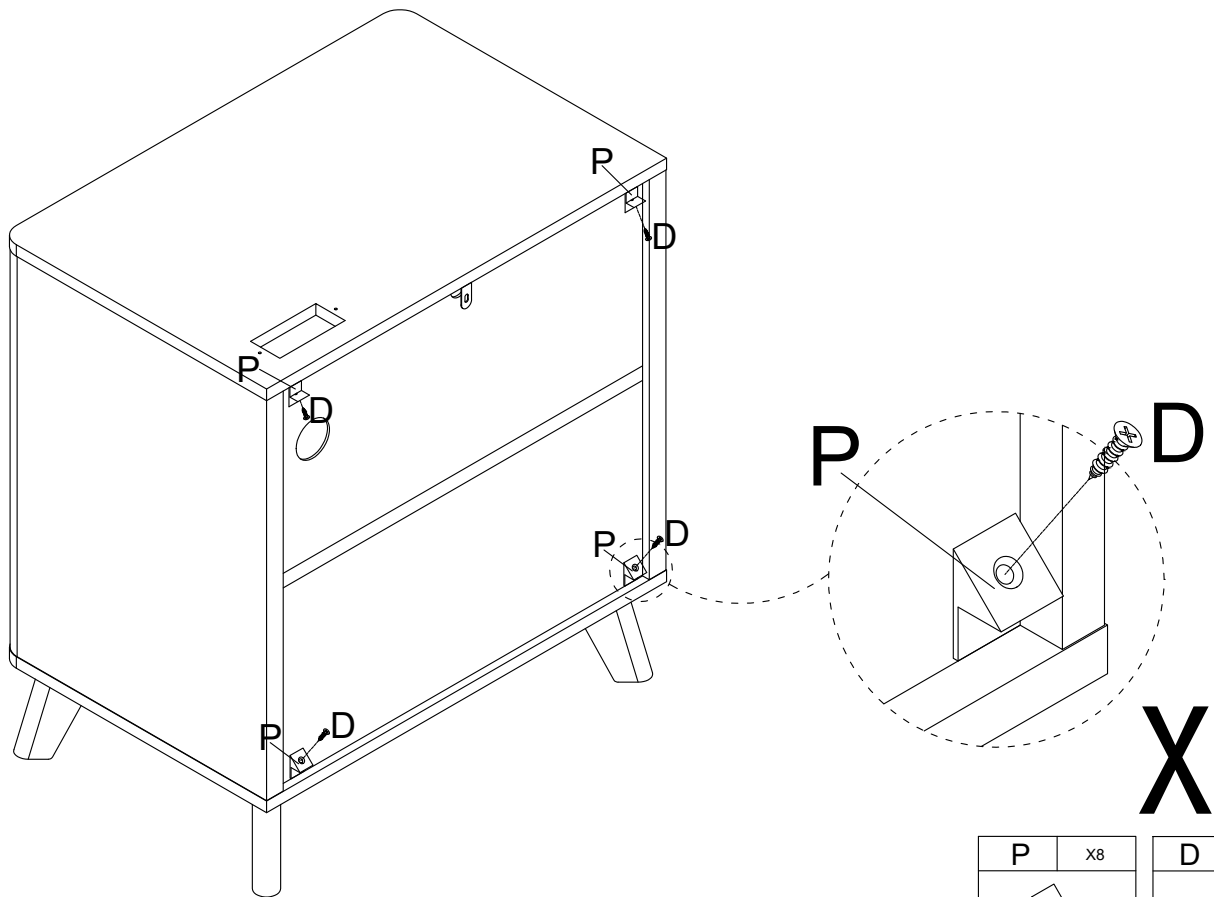


X2


G	x4
	
Ø8x30mm	


F	x8
	
M5x40mm	

10

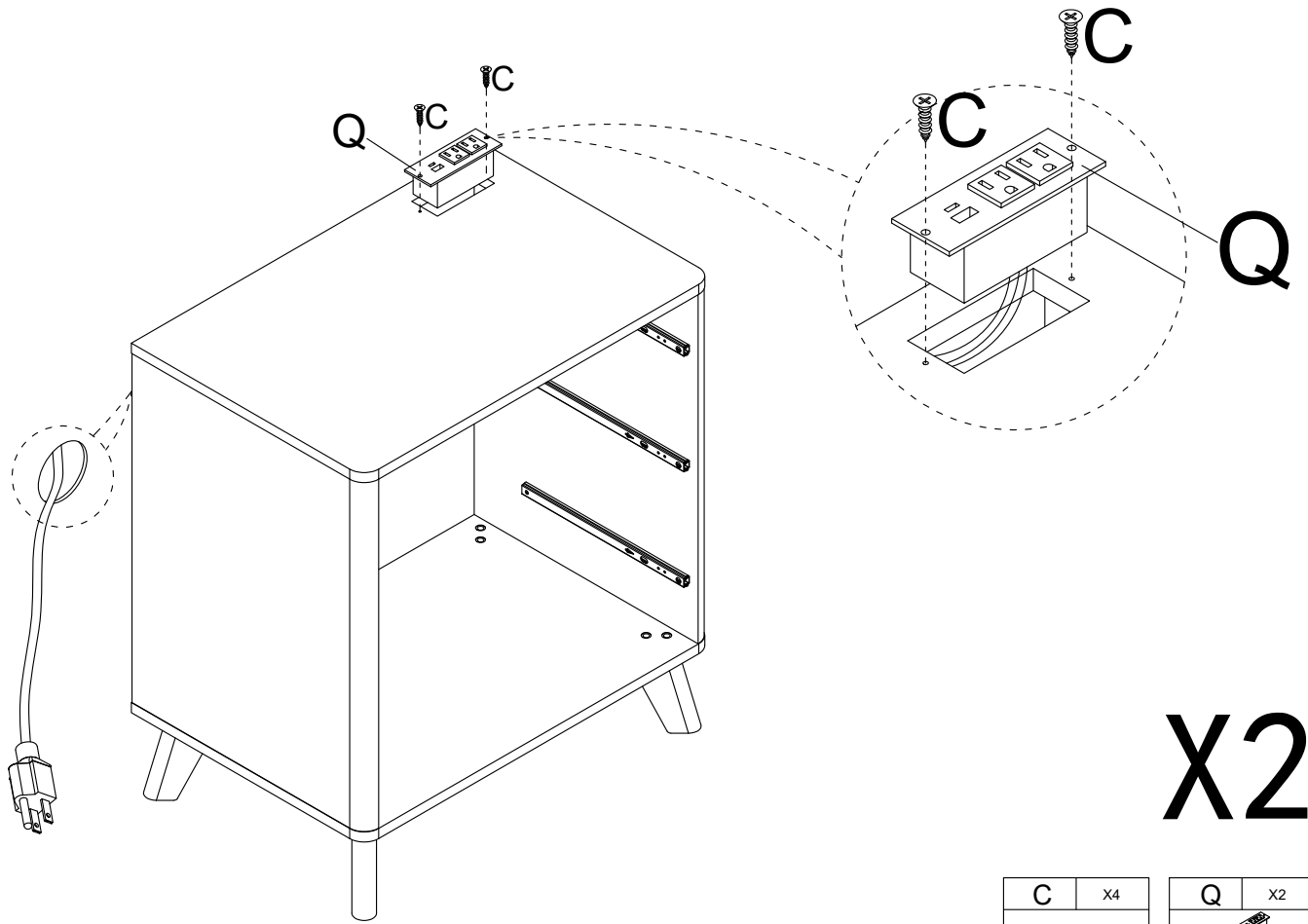


X2


P	x8
	

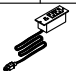
D	x8
	
M3x16mm	

11

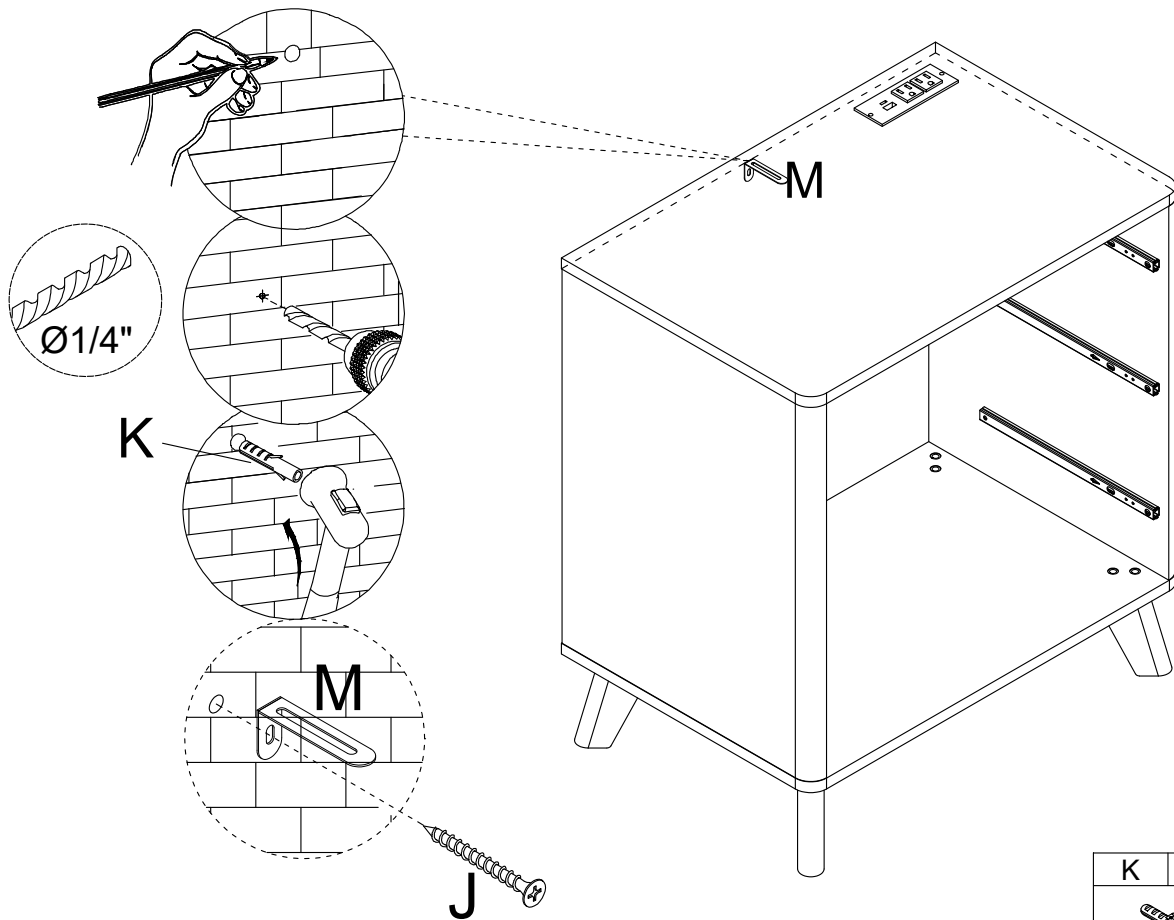


X2


C	X4
	
M3.5x12mm	


Q	X2
	

12

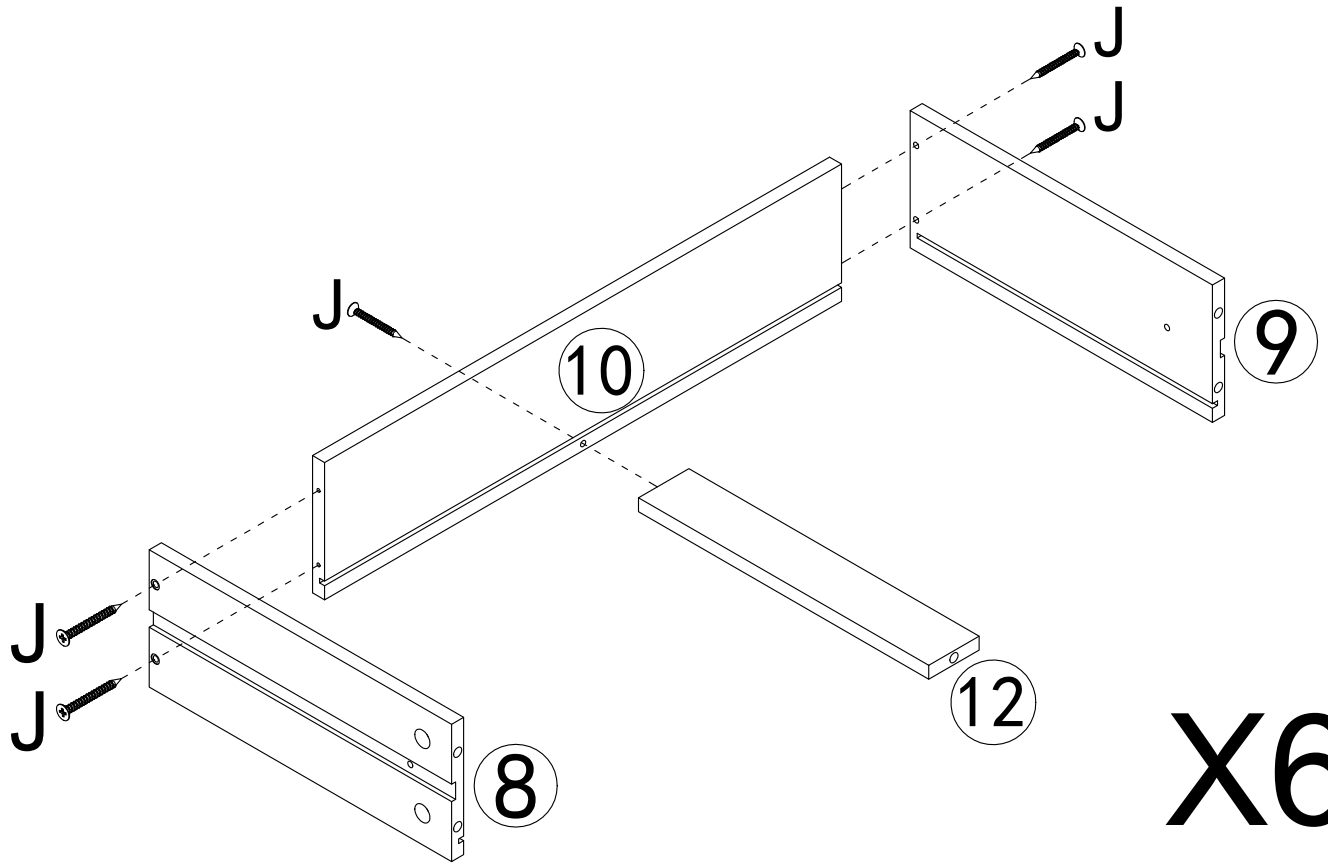


X2


K	X2
	
Ø6x30mm	

J	X2
	
M4x35mm	

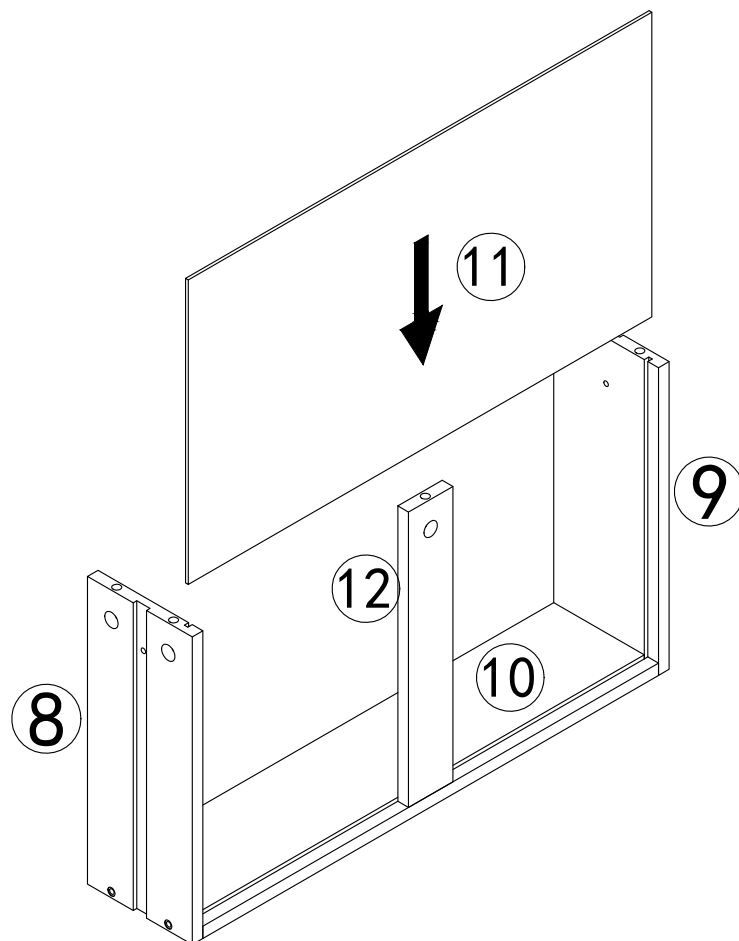
13



X6

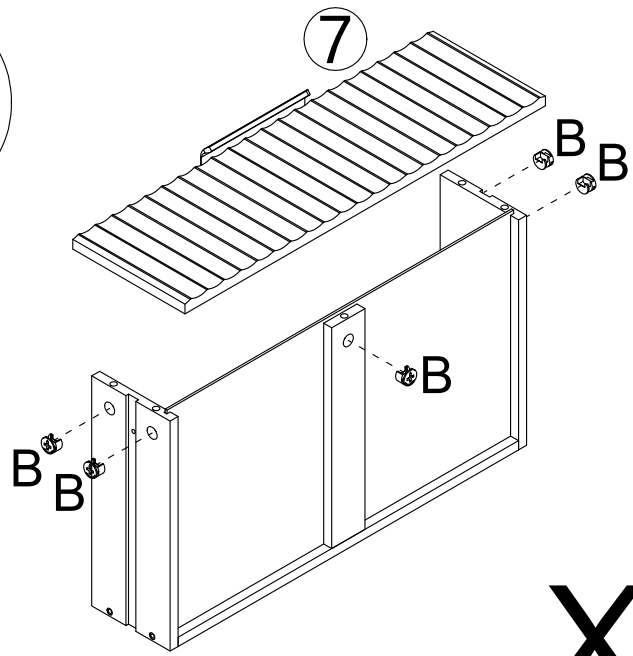
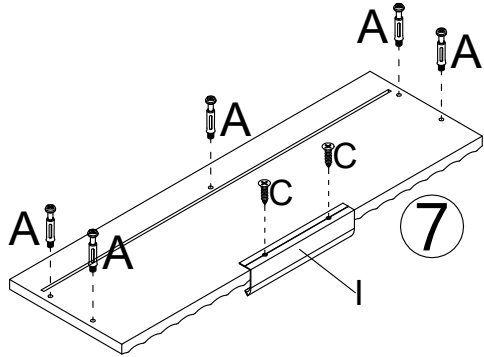
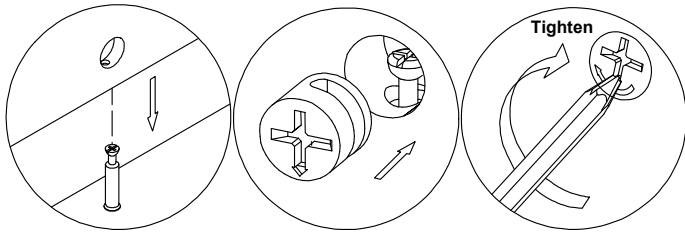
J	X30
	
M4x35mm	

14



X6

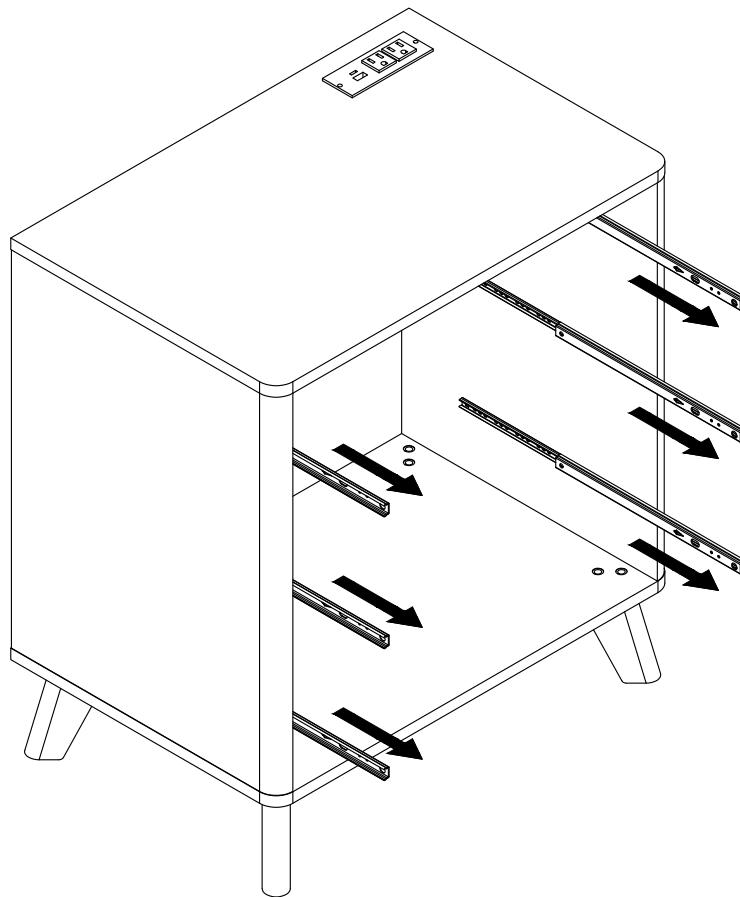
15



X6

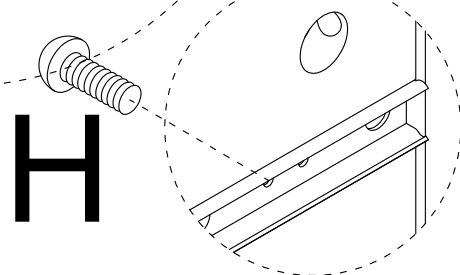
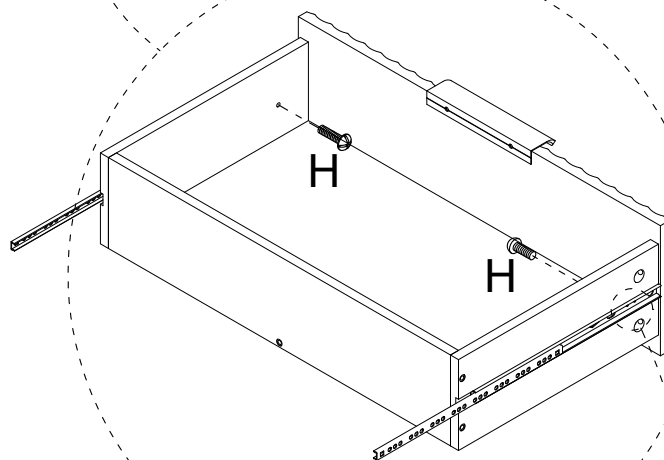
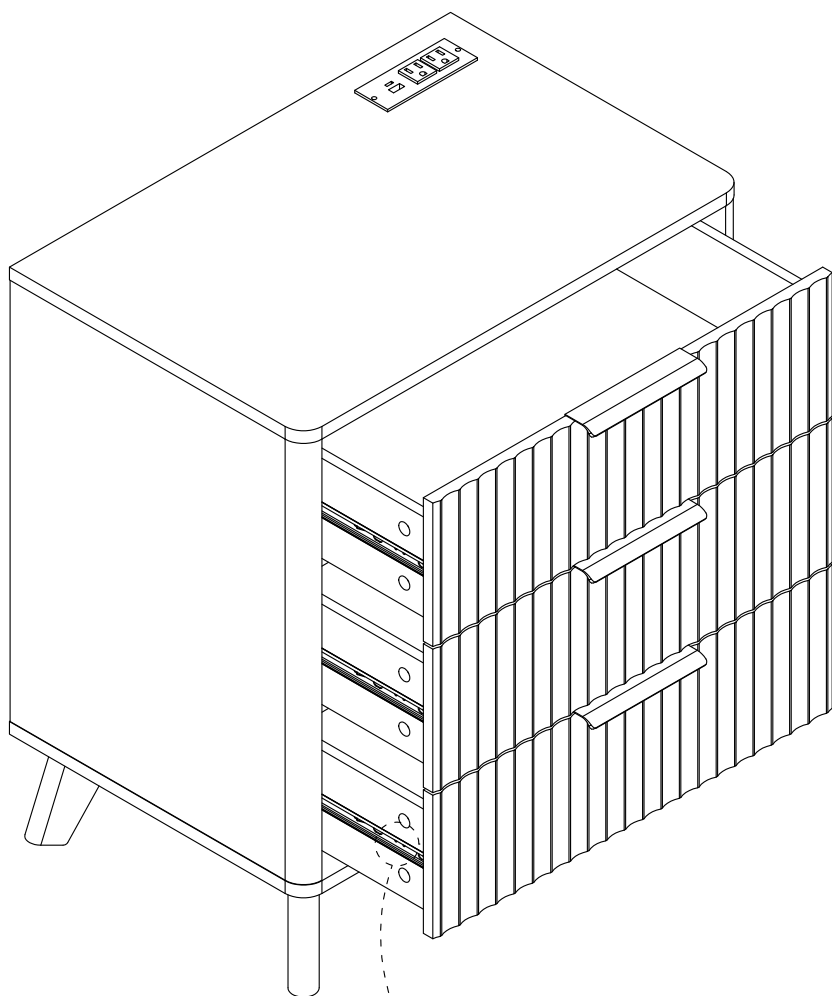
I	X6	C	X12	A	X30	B	X30
			M3.5x12mm		M6x35mm		Ø15x9mm

16




X2

17



X2

H	X12
	
M4x10mm	