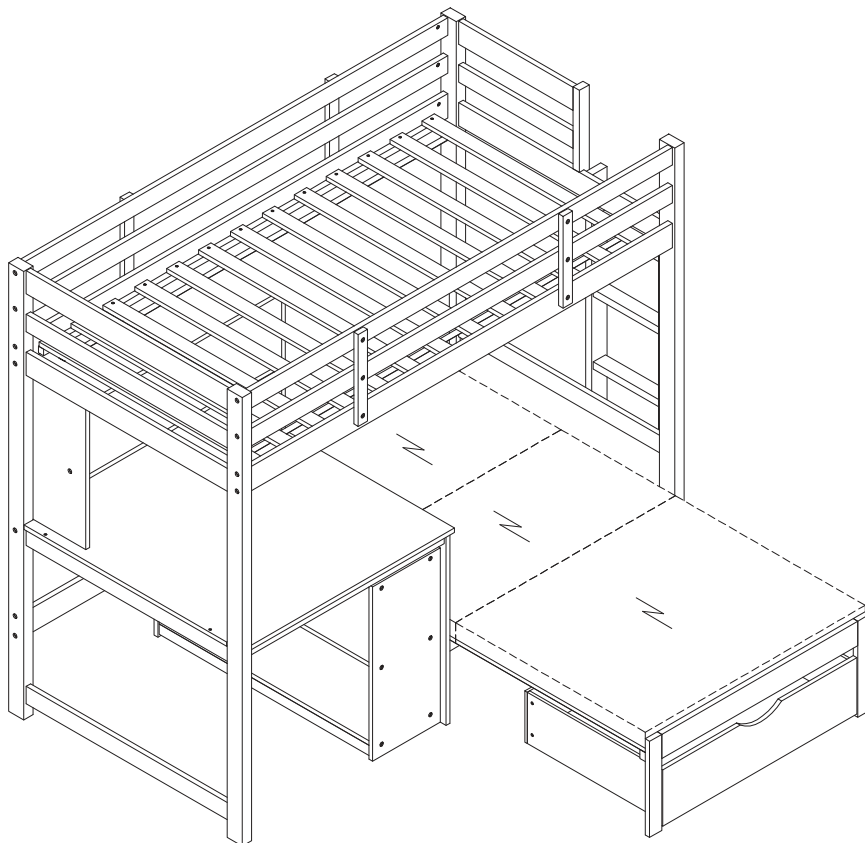


ASSEMBLY INSTRUCTIONS



TOOLS REQUIRED



Allen Wrench

(Included)



Phillips
Screwdriver

(Not Included)



2 - People
Recommended

ASSEMBLY RATING



EASY —————> DIFFICULT

The Assembly Rating is a 5-point system showing the level of effort needed to assemble a specific product.



CHECK BEFORE STARTING

Are you missing anything?

Double-check all parts, hardware and accessories listed are all accounted for.

Check out our Quick Tips!

We recommend reviewing the pre-assembly handouts. Even experts need a refresher now and then!

Should we send any replacements?

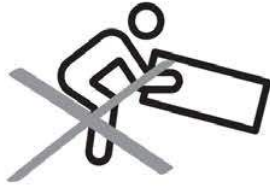
Are there any irregularities or flaws in the parts? We can send replacements!

Prep Time!

Please review the assembly instructions and all diagrams prior to assembling.

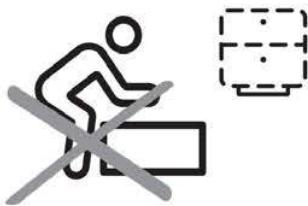
PRE ASSEMBLY INTRODUCTION

We understand building ready-to-assemble furniture can be a challenging experience for some. To help avoid confusion, we have provided some helpful tips that may speed up the process.



Teamwork

ALWAYS have at least two people to help with transporting and assembling the product to avoid potential injury and/or damage.



Suitable Location

Assembling near the area of the intended location is highly recommended.



Sufficient Space

Make sure you have enough space to move around during the assembly.



Avoid Scratches

Use cardboard, blankets or a carpeted area while assembling furniture to prevent to prevent scratches and damages.



Flat Surface

Make sure the furniture rests on a flat and level surface with each leg evenly touching the floor.

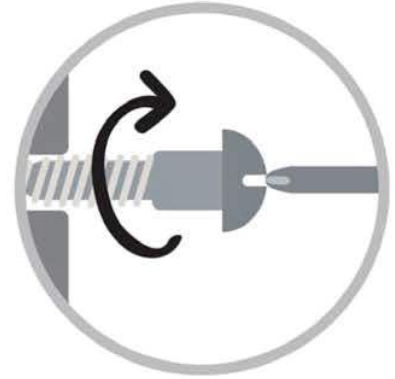
ASSEMBLY AND CARE ADVICE



FAILURE TO FOLLOW THE GUIDELINES BELOW MAY RESULT IN INJURY AND/OR PROPERTY DAMAGE.



Position each part correctly and insert screws or bolts into their respective holes.



Turn clockwise to tighten and only tighten when step is completed or when instructed to do so.



Use the appropriate hand tools or power tools for assembly. Select steps, such as tightening screws and/or bolts, may require hand tools to avoid causing damage during assembly.



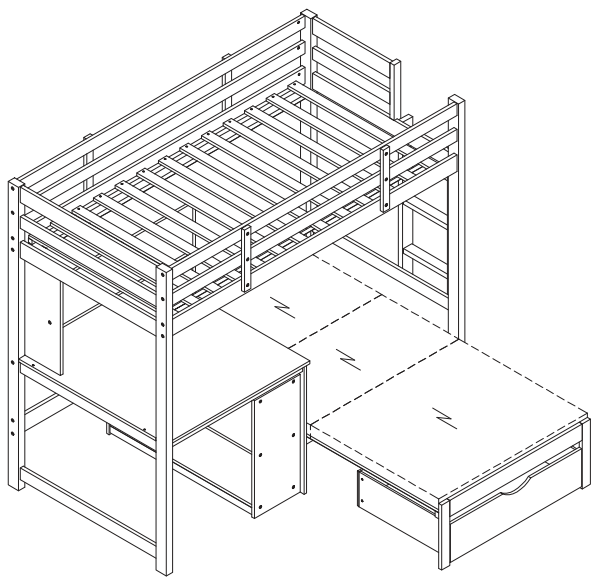
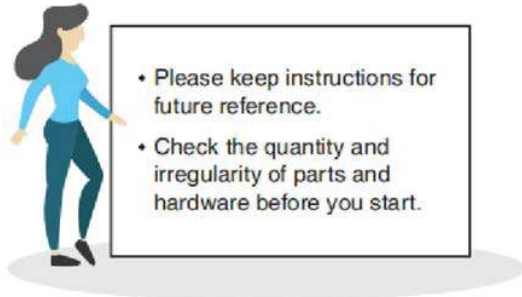
Save the instructions and store any supplied tools for later maintenance.



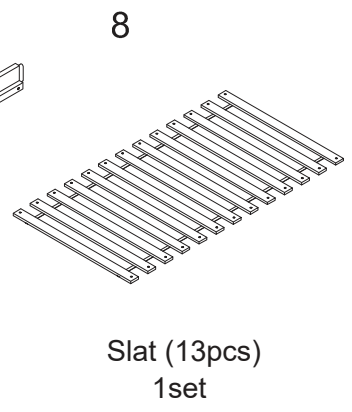
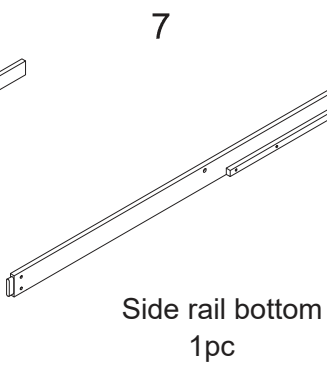
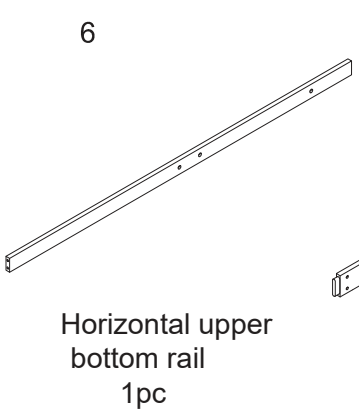
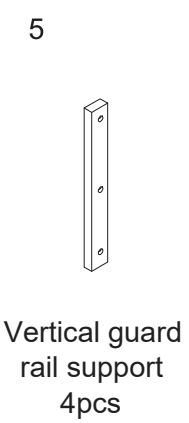
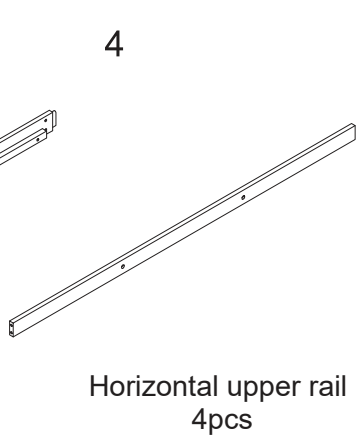
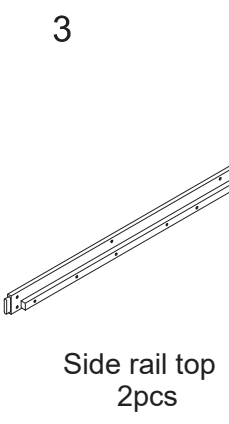
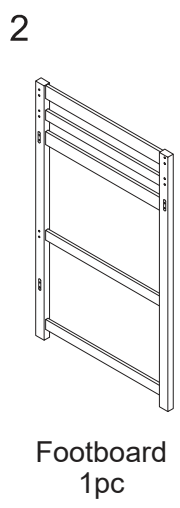
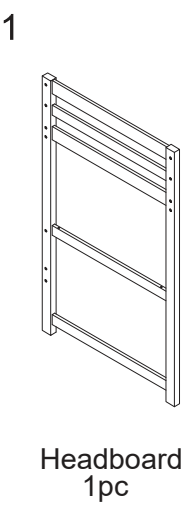
After two weeks, check and tighten any loose hardware and repeat again every six months thereafter.

IT IS THE USER'S RESPONSIBILITY TO MAINTAIN THE FURNITURE. THE HARDWARE MAY LOOSEN OVER TIME AND MAY CAUSE THE FURNITURE TO BE WOBBLY AND UNABLE TO SUPPORT ITS INTENDED WEIGHT CAPACITY. THIS MAY LEAD TO COLLAPSE AND MAY CAUSE SERIOUS INJURY.

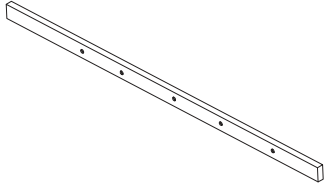
BUNKBED



PARTS

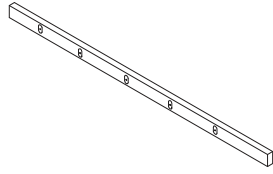


9



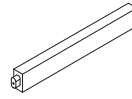
Right side rail ladder
1pc

10



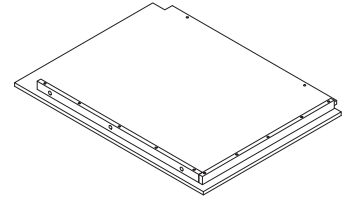
Left side rail ladder
1pc

11



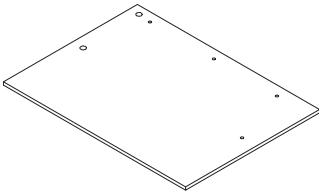
Step ladder
5pcs

12



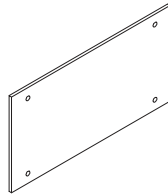
Top panel (left)
1pc

13



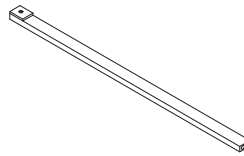
Vertical center panel
1pc

14



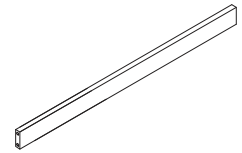
Back panel
1pc

15



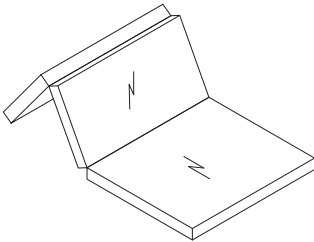
Horizontal center
1pc

16



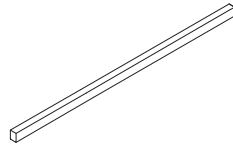
Horizontal center rail
1pc

17



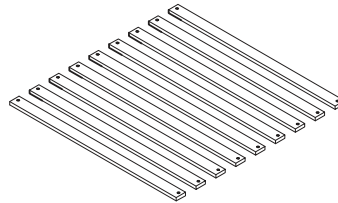
Mattress
1pc

18



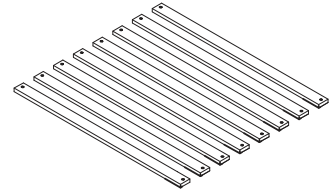
Horizontal center rail
1pc

19



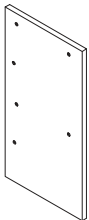
Slat (9pcs)
1set

20



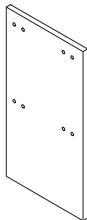
Slat (8pcs)
1set

21



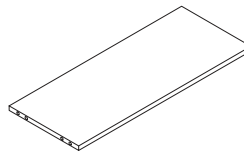
Left vertical shelf
1pc

22



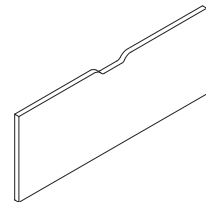
Right vertical shelf
1pc

23



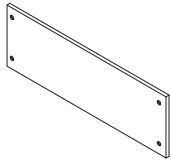
Top shelf
2pcs

24



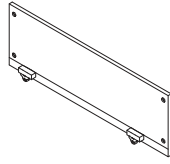
Drawer front
1pc

25



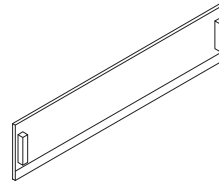
Drawer left side
1pc

26



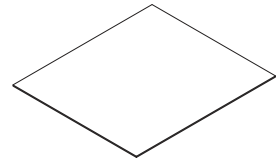
Drawer right side
1pc

27



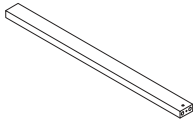
Drawer back
1pc

28



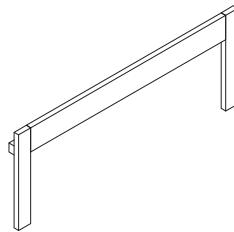
Drawer bottom
1pc

29



Drawer support
bottom
1pc

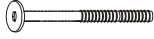
30



Headboard
1pc

HARDWARE

A



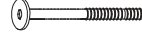
Bolt Ø1/4"x3-3/8"(D15)
23pcs

B



Bolt Ø1/4"x15
24pcs

C



Bolt Ø1/4"x2-3/8"(D13)
3pcs

D



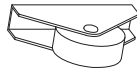
Bolt Ø1/4"x15
2pcs

E



Bolt Ø1/4"x1-5/8"(D13)
12pcs

F



Wheel
4pcs

G



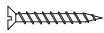
Bolt Ø1/4"x1-3/16"(D13)
23pcs

H



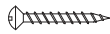
Wood Screw 1/4"x50mm"
10pcs

I



Screw 4"x35mm
61pcs

J



Screw 4"x25mm
10pcs

K



Ø10x40mm
12pcs

L



Ø8x30mm
10pcs

M



Ø6x30mm
6pcs

N



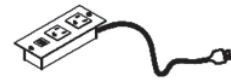
Allen Key
1pc

O



Screw 3"x20mm
8pcs

P




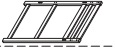
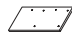


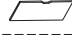
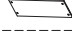


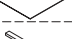
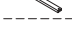
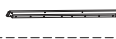
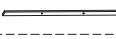
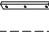
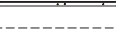
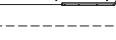
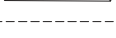
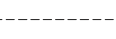

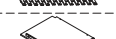

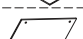




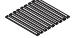
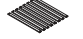
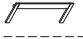

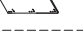
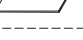
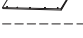
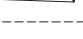


Power Plug
1pc

Q

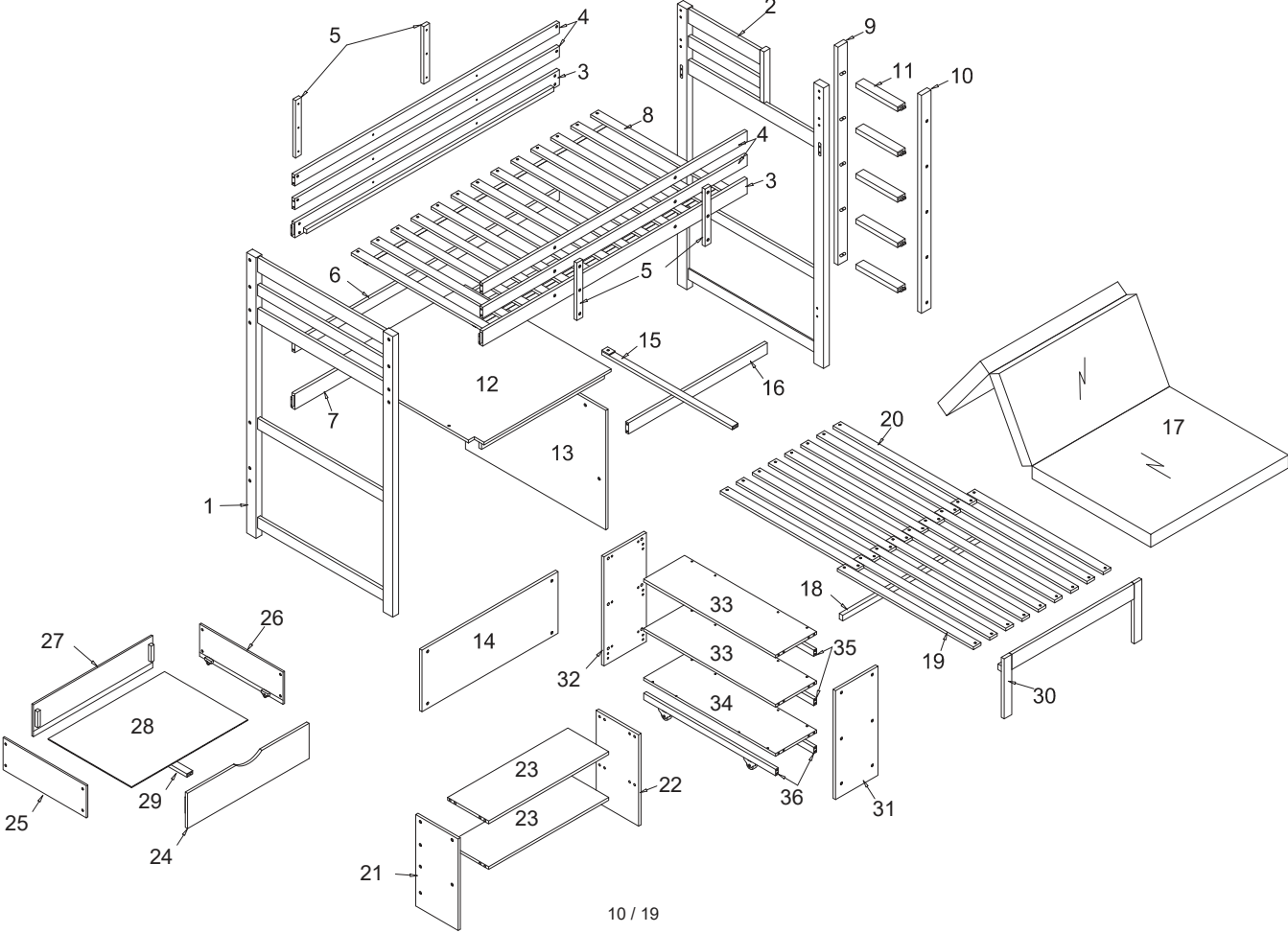


Screw 3"x15mm
2pcs

packed in 4 cases

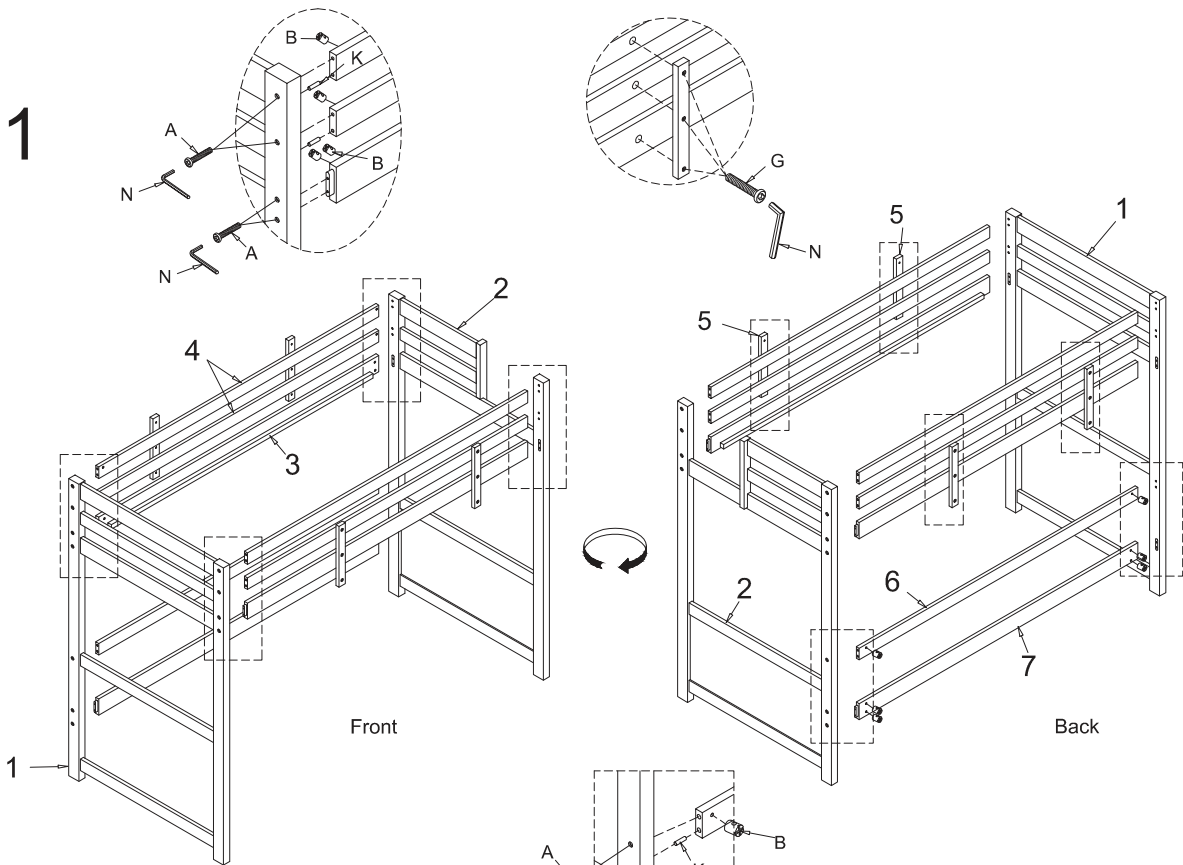
Carton	Disignation	Part	Hardware
	Headboard	1	 1
	Footboard	2	 A x 23pcs
	Left vertical shelf	21	 B x 24pcs
	Right vertical shelf	22	 B x 24pcs
	Top shelf	23	 C x 3pcs
	Drawer front	24	 D x 2pcs
	Drawer left side	25	 D x 2pcs
	Drawer right side	26	 E x 12pcs
	Drawer back	27	 E x 12pcs
	Drawer bottom	28	 F x 4pcs
	Drawer support bottom	29	 F x 4pcs
2	Side rail top	3	 G x 23pcs
	Horizontal upper rail	4	 G x 23pcs
	Vertical guard rail support	5	 H x 10pcs
	Horizontal upper bottom rail	6	 G x 23pcs
	Side rail bottom	7	 I x 61pcs
	Right side rail ladder	9	 J x 10pcs
	Left side rail ladder	10	 J x 10pcs
3	Step ladder	11	 K x 12pcs
	Slat (13pcs)	8	 L x 10pcs
	Top panel (left)	12	 L x 10pcs
	Vertical center panel	13	 M x 6pcs
	Back panel	14	 M x 6pcs
	Horizontal center	15	 N x 1pc
	Horizontal center rail	16	 N x 1pc
	Mattress	17	 O x 8pcs
	Horizontal center rail	18	 P x 1pc
	Slat (9pcs)	19	 Q x 2pcs
Slat (8pcs)	20	 Q x 2pcs	
4	Headboard	30	 4
	Left vertical shelf	31	 E x 12pcs
	Right vertical shelf	32	 L x 28pcs
	Top shelf	33	 J x 16pcs
	Bottom shelf	34	 J x 16pcs
	Horizontal center rail	35	 N x 1pc
	Horizontal bottom rail	36	 N x 1pc

ASSEMBLY INSTRUCTIONS

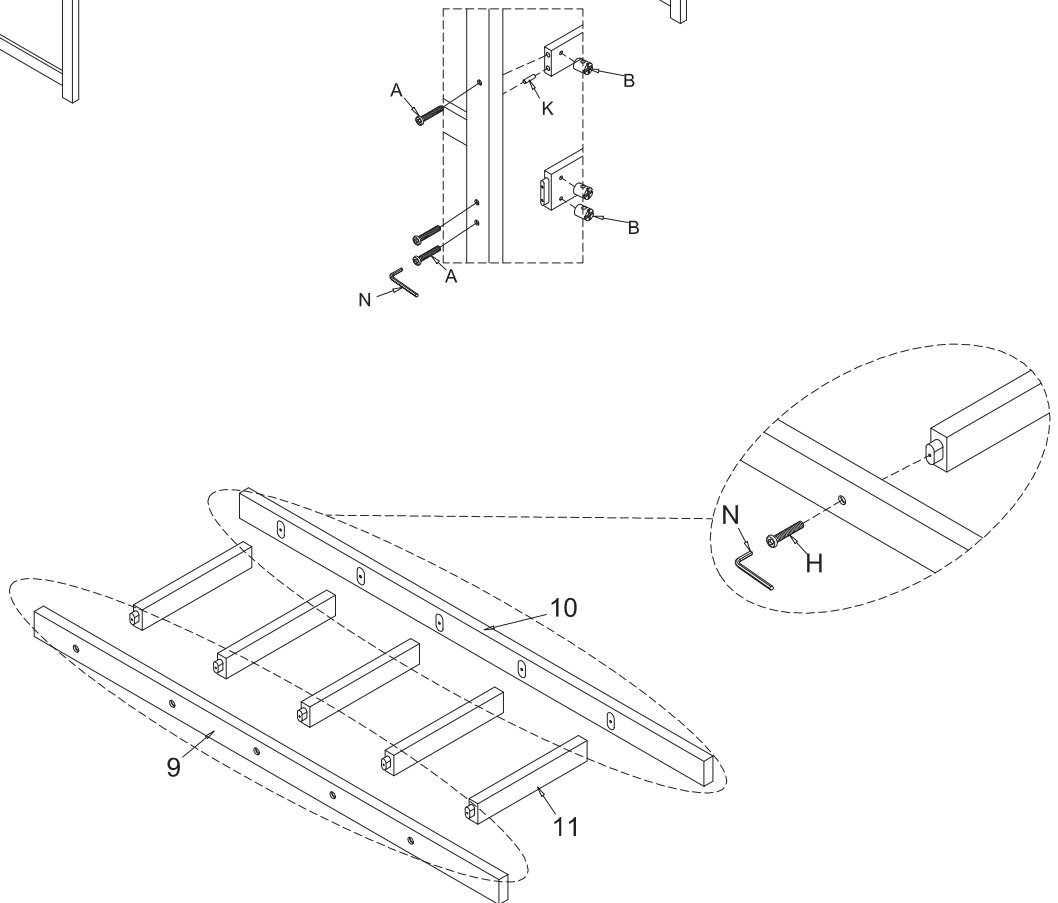


ASSEMBLY INSTRUCTIONS

1

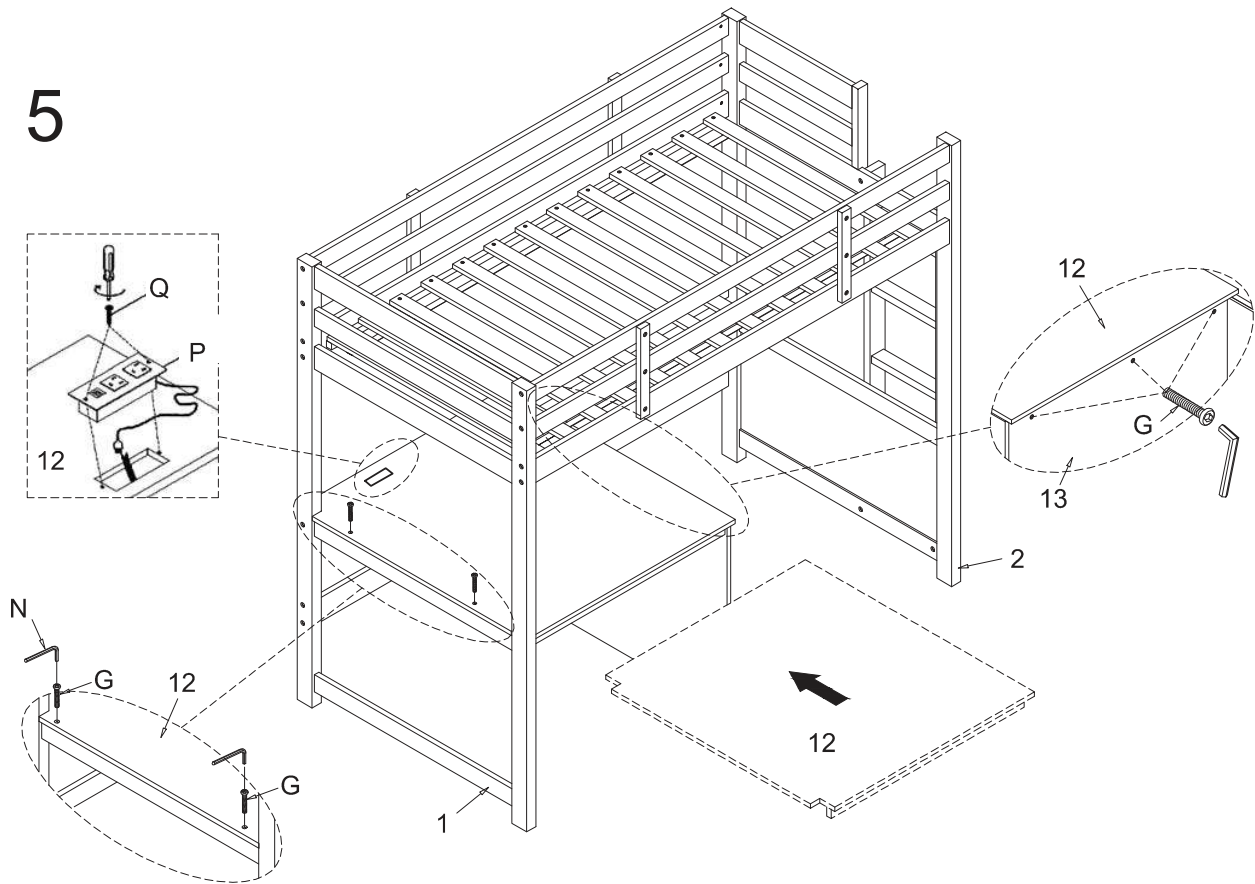


2

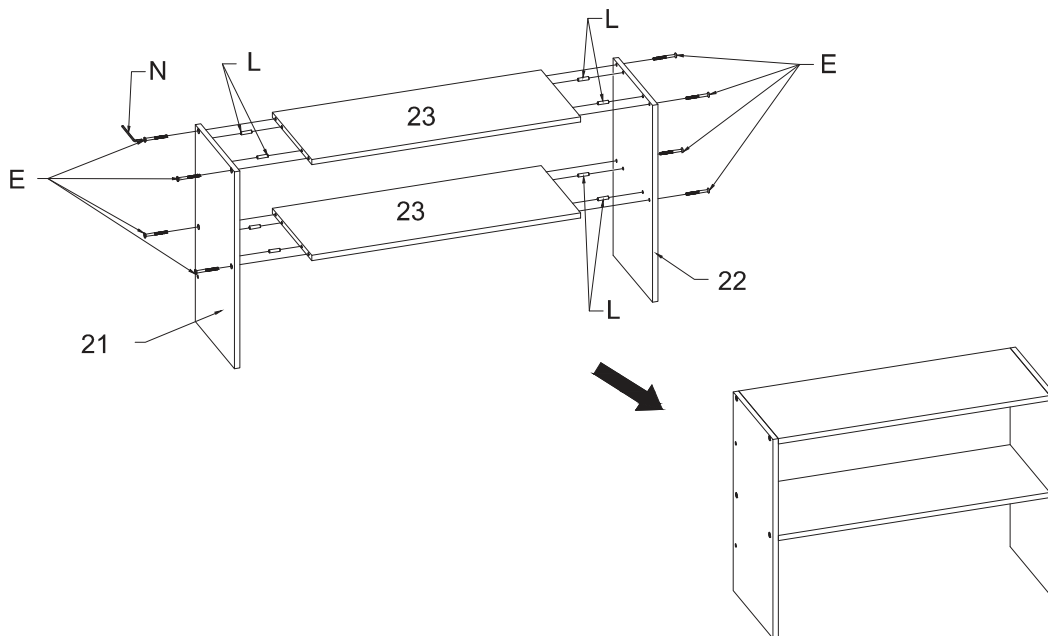


ASSEMBLY INSTRUCTIONS

5

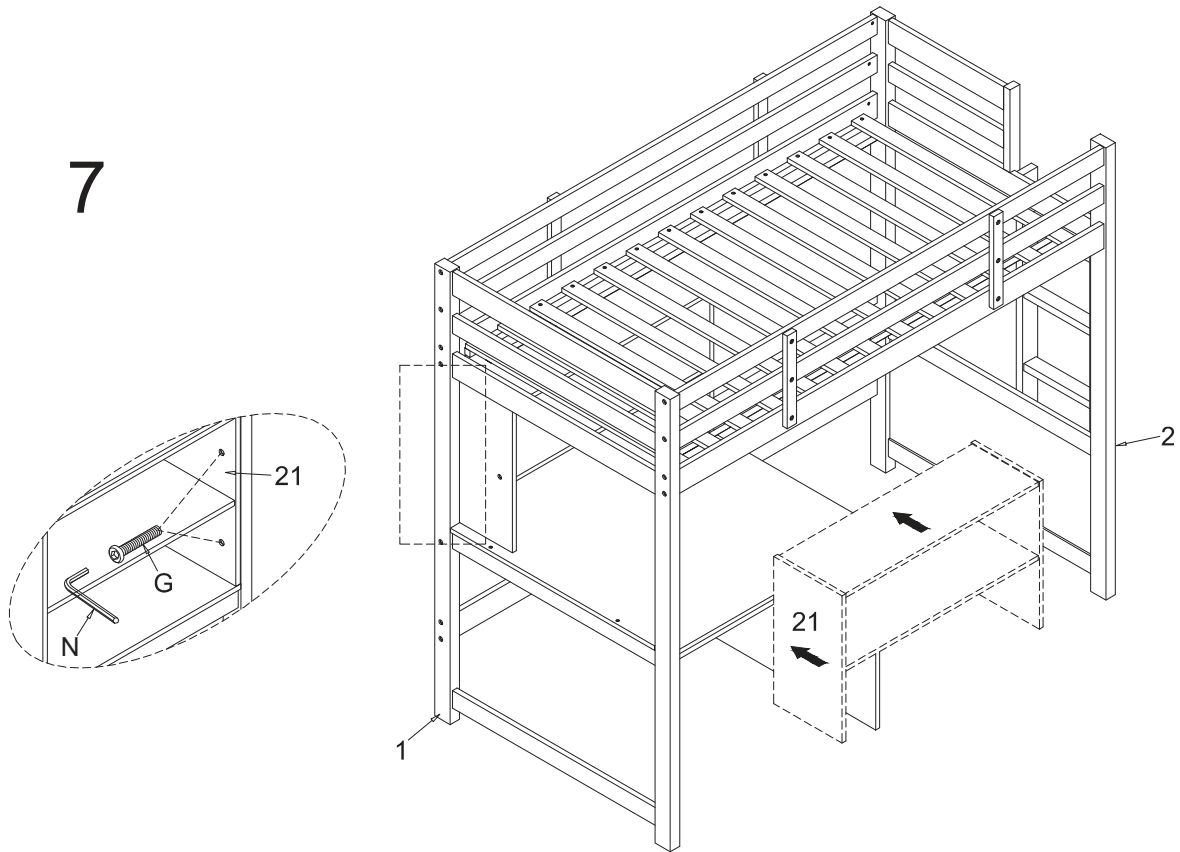


6

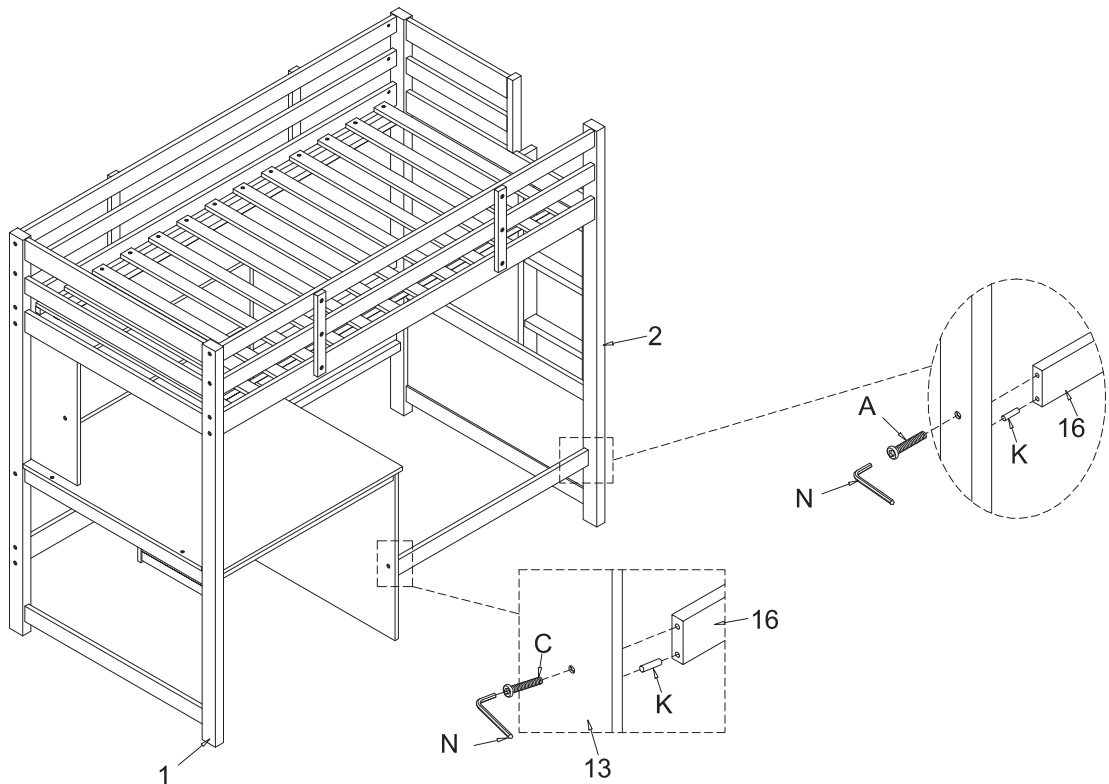


ASSEMBLY INSTRUCTIONS

7

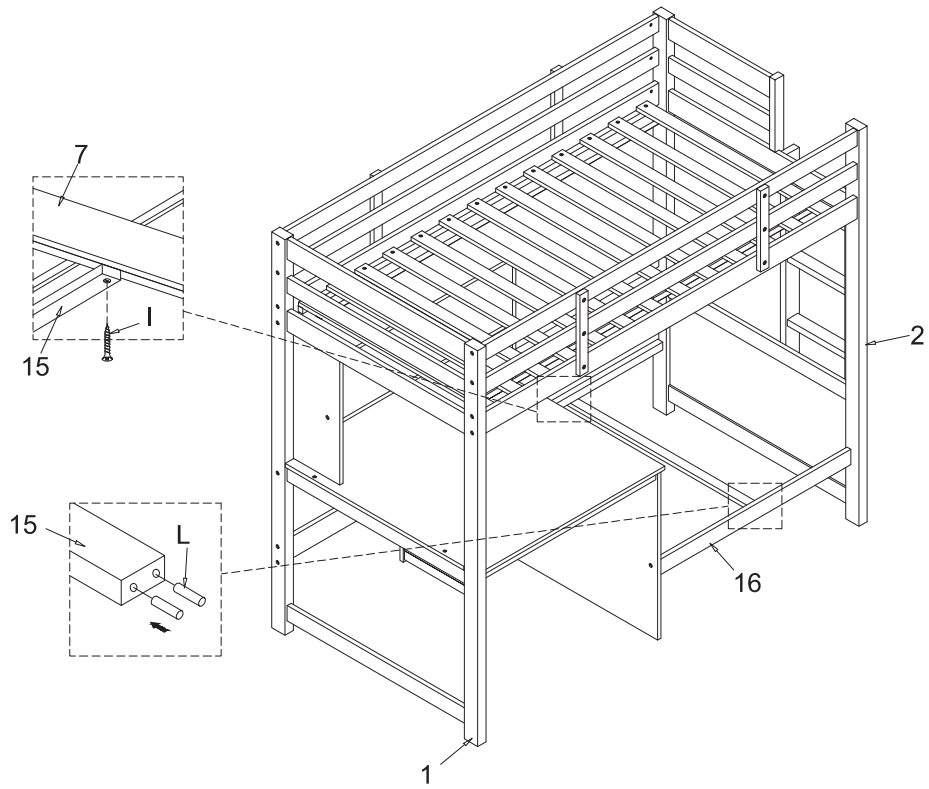


8

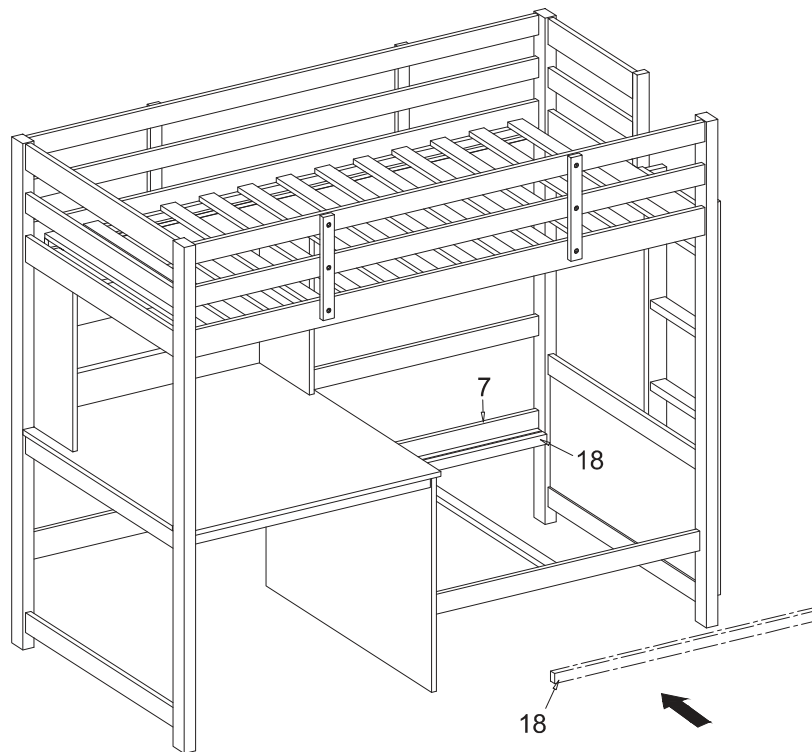


ASSEMBLY INSTRUCTIONS

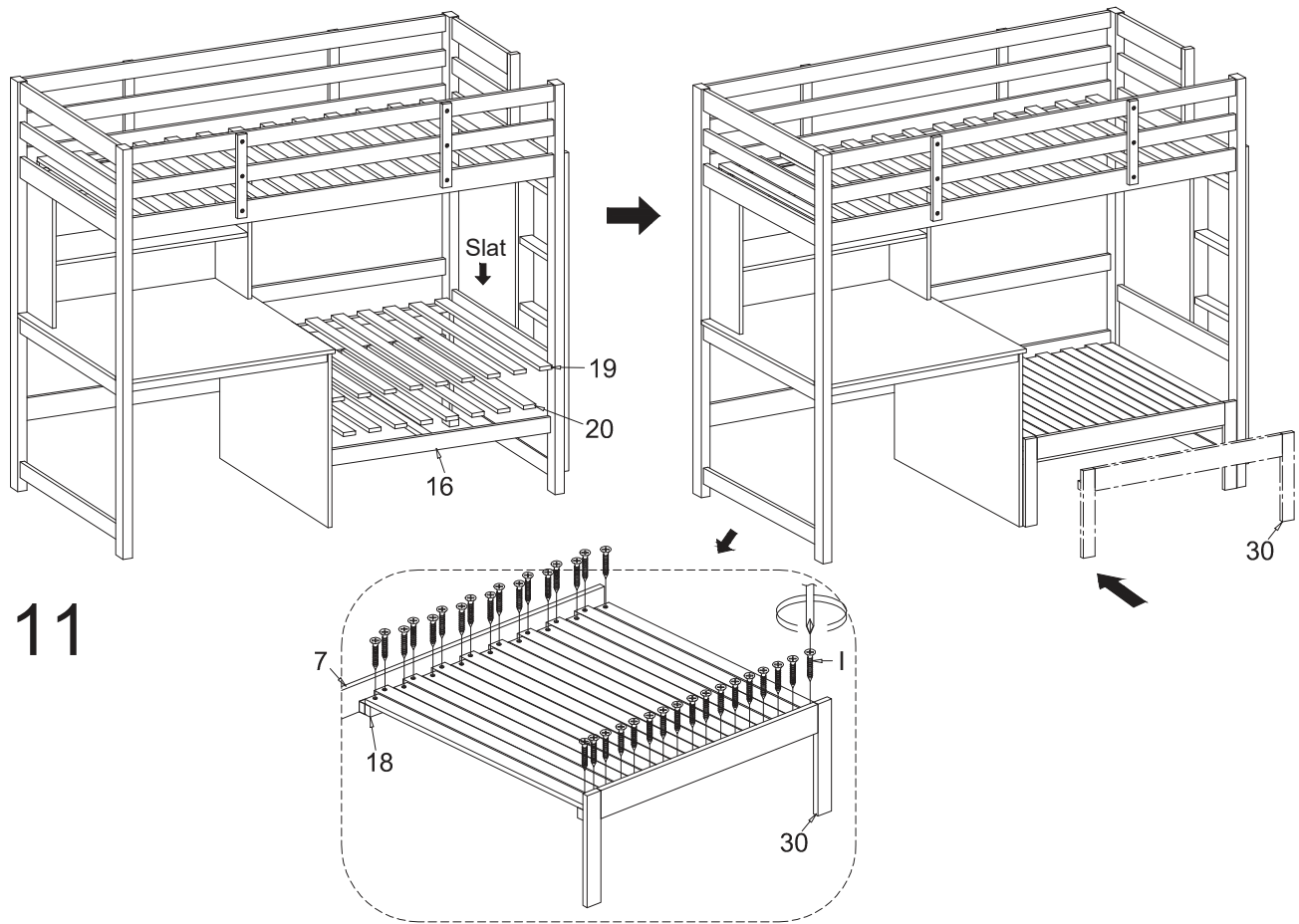
9



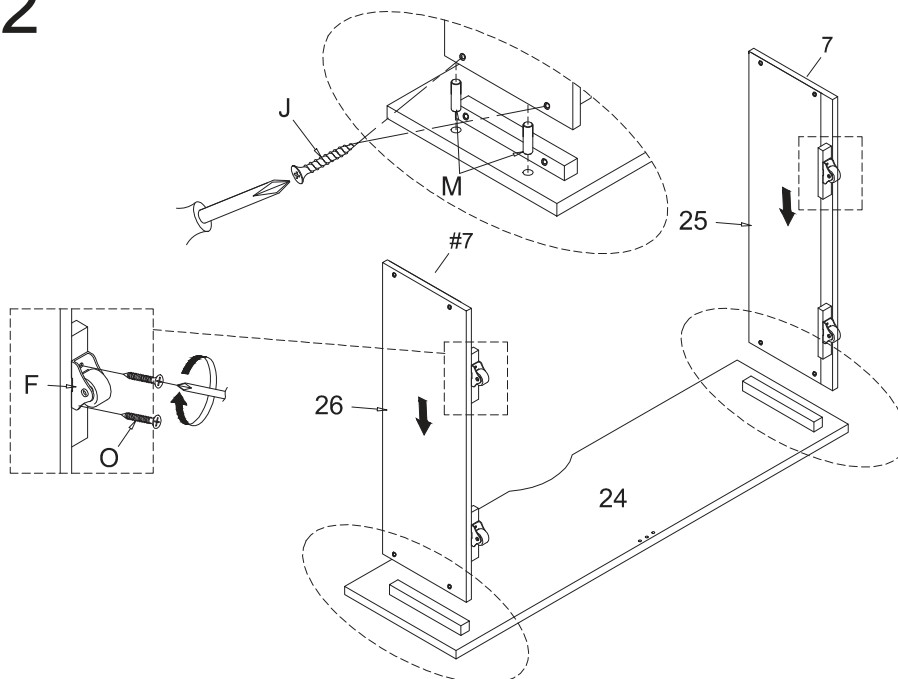
10



ASSEMBLY INSTRUCTIONS

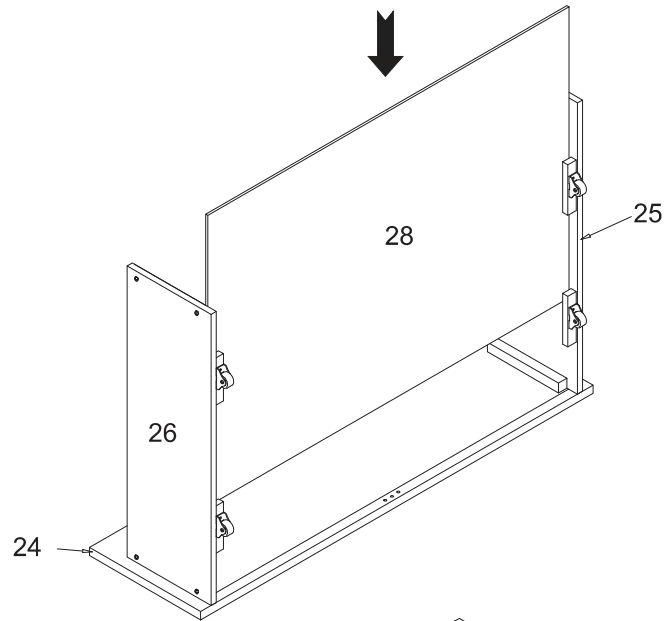


12

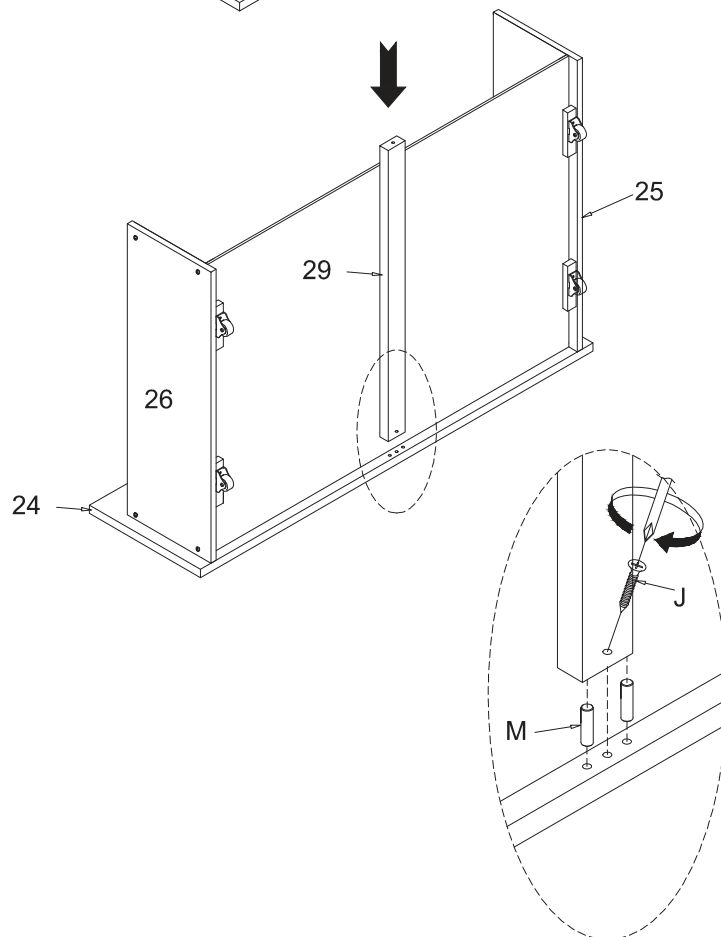


ASSEMBLY INSTRUCTIONS

13

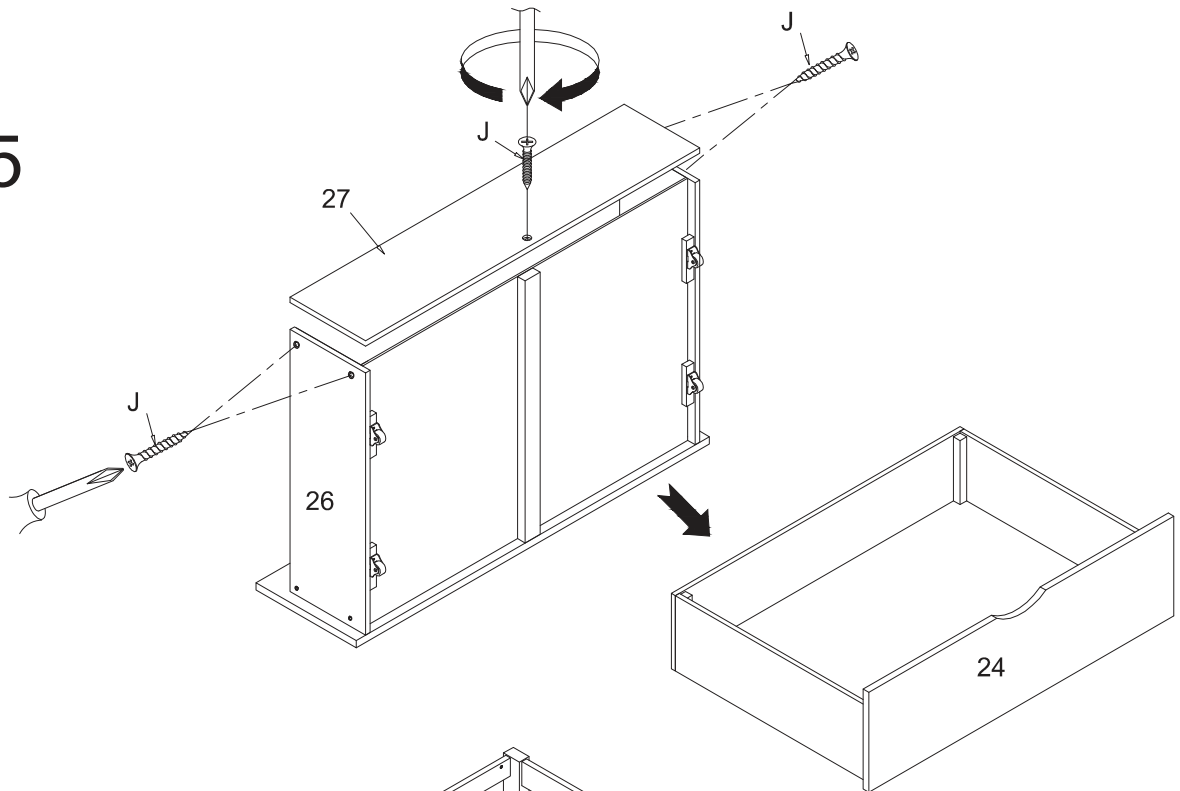


14

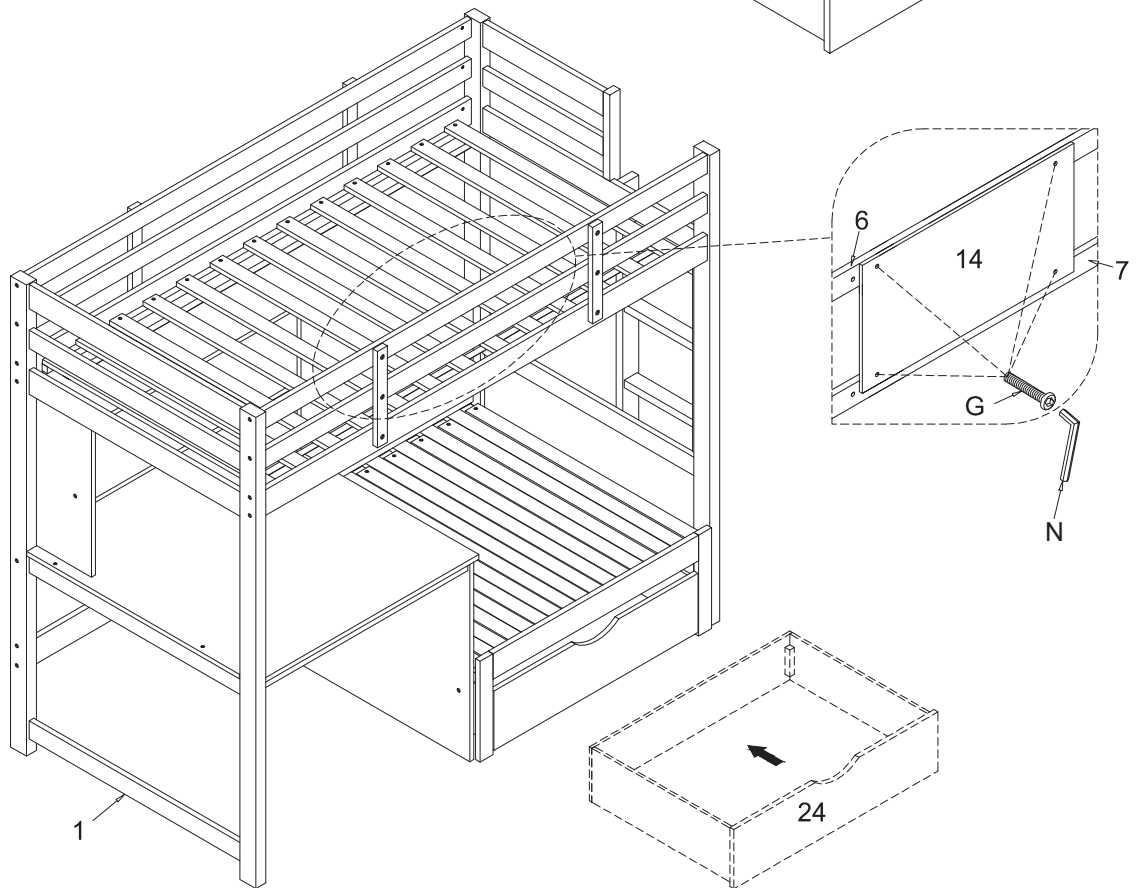


ASSEMBLY INSTRUCTIONS

15

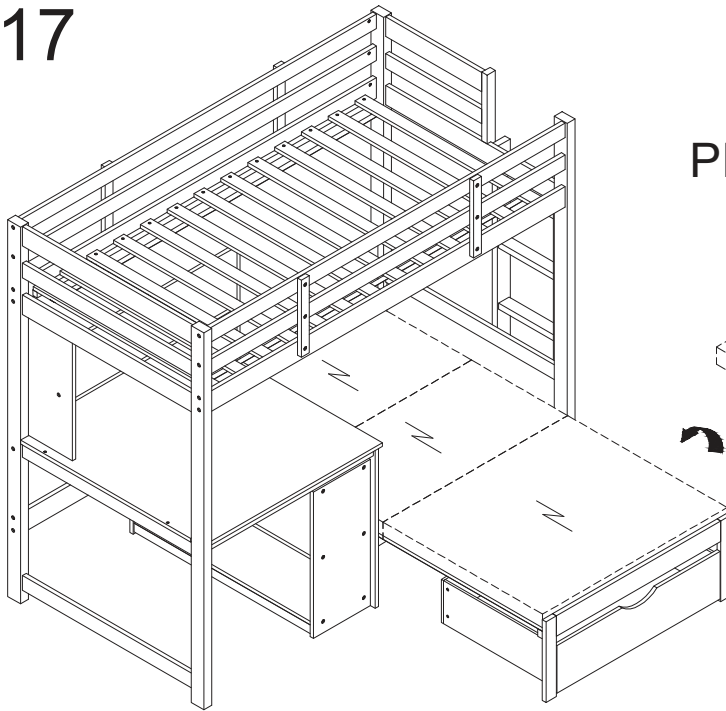


16

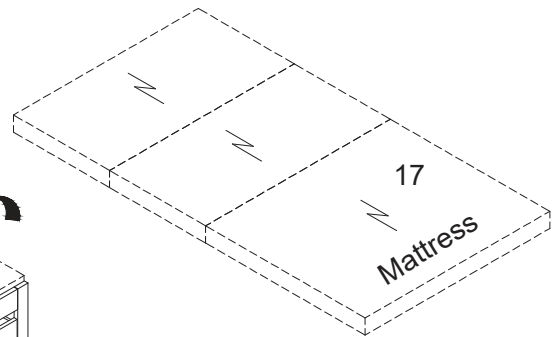


ASSEMBLY INSTRUCTIONS

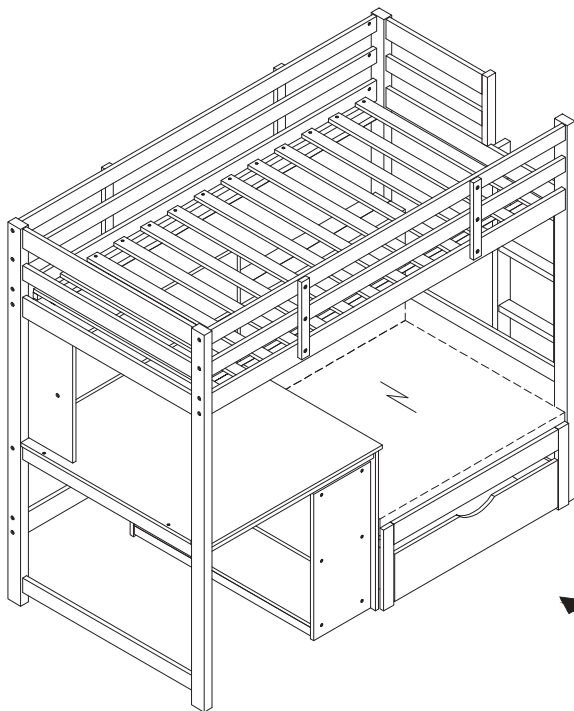
17



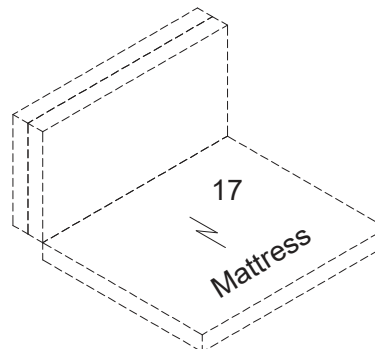
PICK 1



18



PICK 2



ASSEMBLY COMPLETED



Please ensure the furniture rests on an even and flat surface. If the product wobbles or feels loose, double-check all bolts and/or screws are properly tightened and secured.



Keep this handy!

Please retain this instruction manual and any order-related information for future reference.



Lift, don't drag!

To avoid damage to product please always LIFT the product when transporting or adjusting the placement.

This product is intended for RESIDENTIAL USE ONLY and not for commercial use.