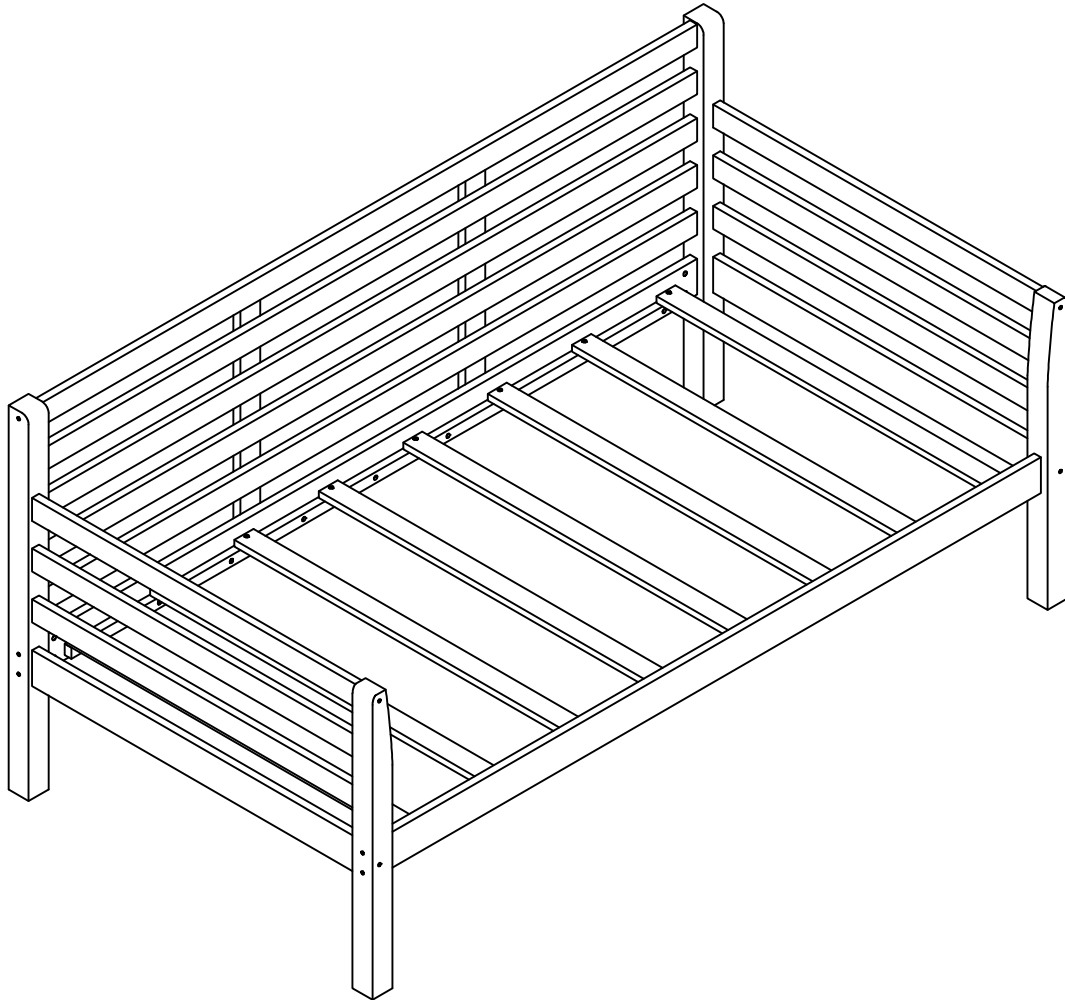


ASSEMBLY INSTRUCTIONS

TWIN DAY BED



PLEASE DO NOT RETURN PRODUCT TO THE STORE.

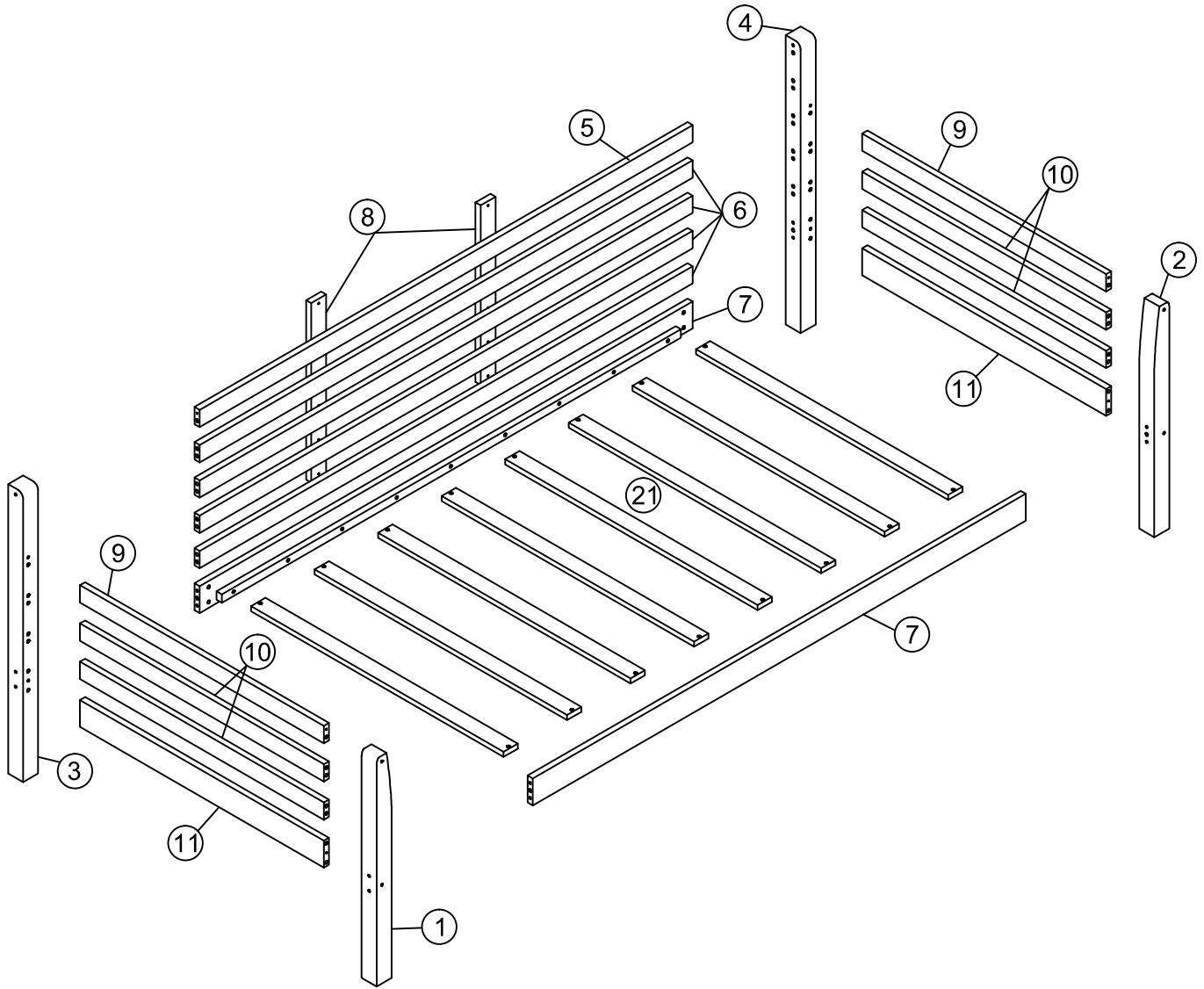
If you have any problem or concerns, please feel free to contact our customer service department. We will reply you as soon as possible.

E-Mail: wmcsr@comptree.net

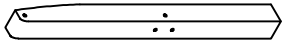

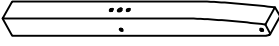
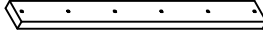
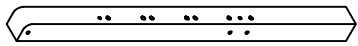
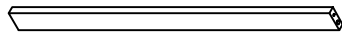
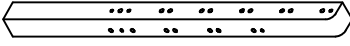
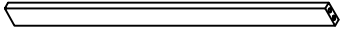
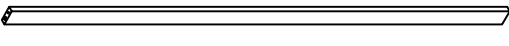
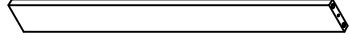

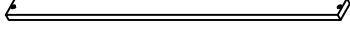
Tel: 626-912-8886 Ext.100

WF199366

ASSEMBLY INSTRUCTIONS








PARTS LIST WF199366

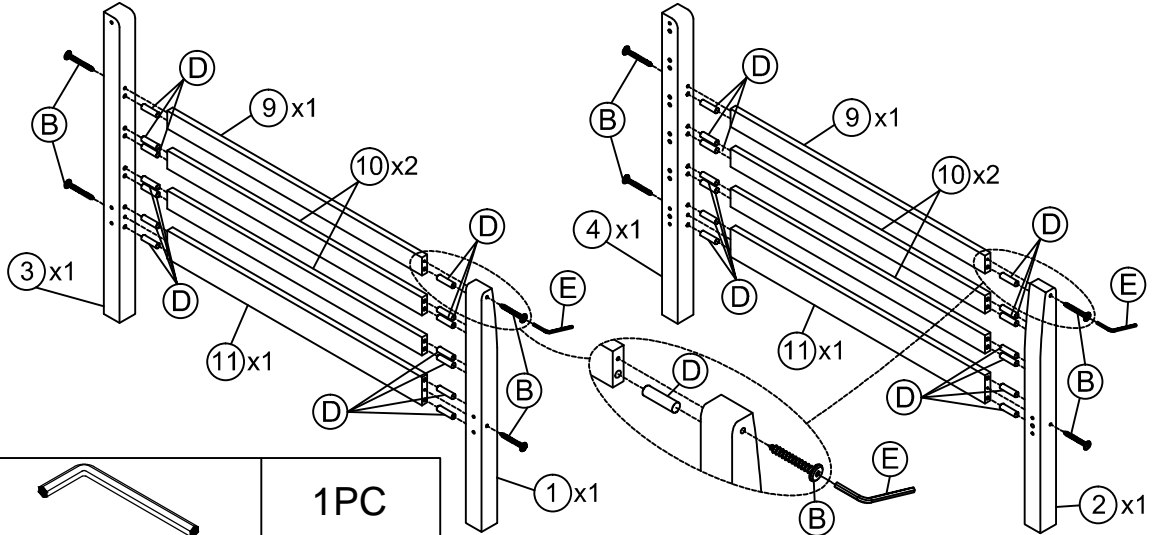
| | | | | | |
|----------|---|------|-----------|---|------|
| 1 |  Left front leg | 1pc | 7 |  Side rails | 2pcs |
| 2 |  Right front leg | 1pc | 8 |  Back guard rails support | 2pcs |
| 3 |  Left back leg | 1pc | 9 |  Head board panels | 2pcs |
| 4 |  Right back leg | 1pc | 10 |  Head board panels | 4pc |
| 5 |  Back guard rail | 1pc | 11 |  Head board panels | 2pcs |
| 6 |  Back guard rails | 4pcs | 21 |  Slats | 8pcs |




ASSEMBLY INSTRUCTIONS

HARDWARE LIST WF199366

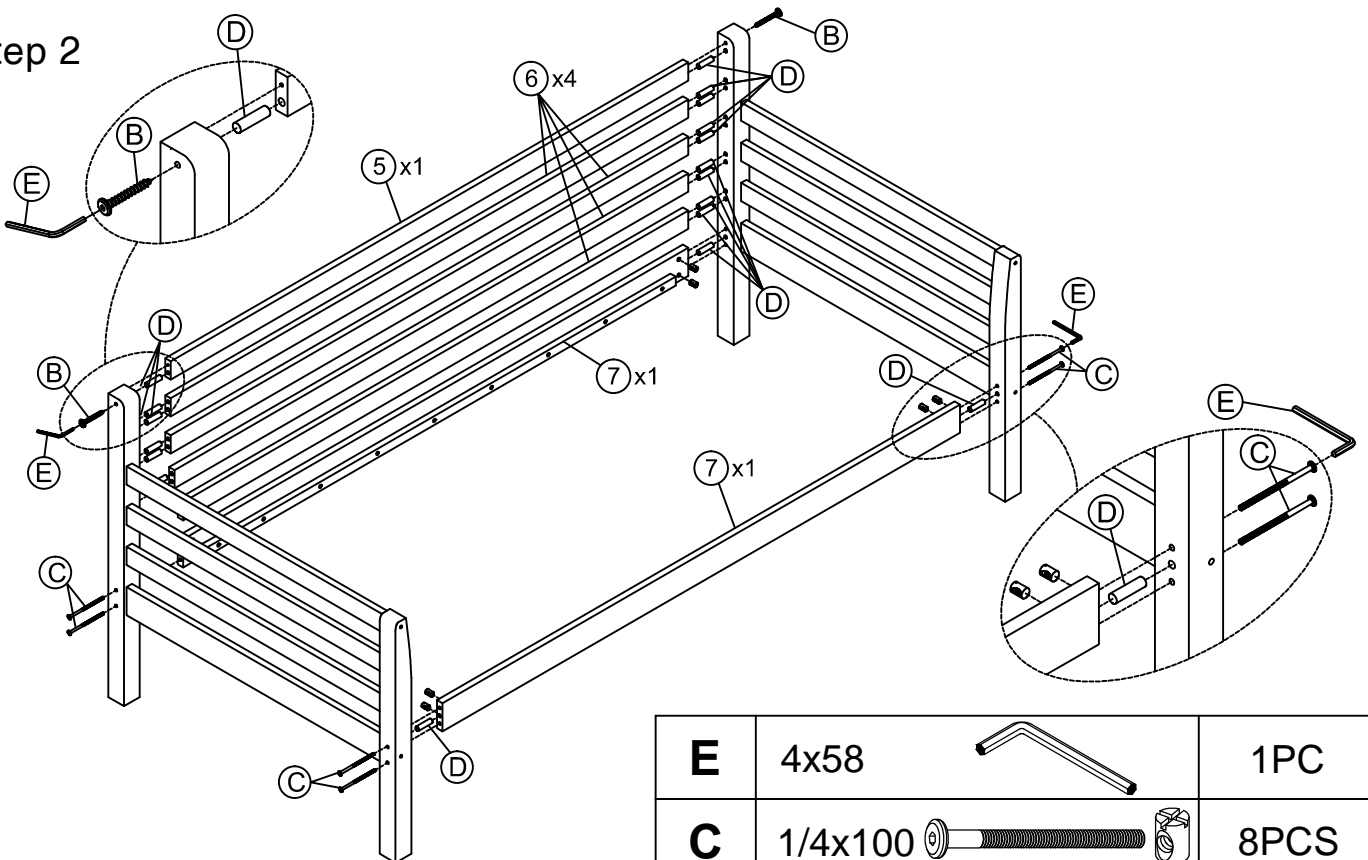
| | | | | | | | |
|----------|---------|---|-------|----------|--------|---|-------|
| A | Ø4x30 |  | 28PCS | D | Ø10x40 |  | 50PCS |
| B | 6.5x100 |  | 10PCS | E | 4x58 |  | 1PC |
| C | 1/4x100 |  | 8PCS | | | | |





Step 1



| | | | | | | | |
|----------|---------|---|------|----------|--------|---|-------|
| E | 4x58 |  | 1PC | D | Ø10x40 |  | 28PCS |
| B | 6.5x100 |  | 8PCS | | | | |

Step 2

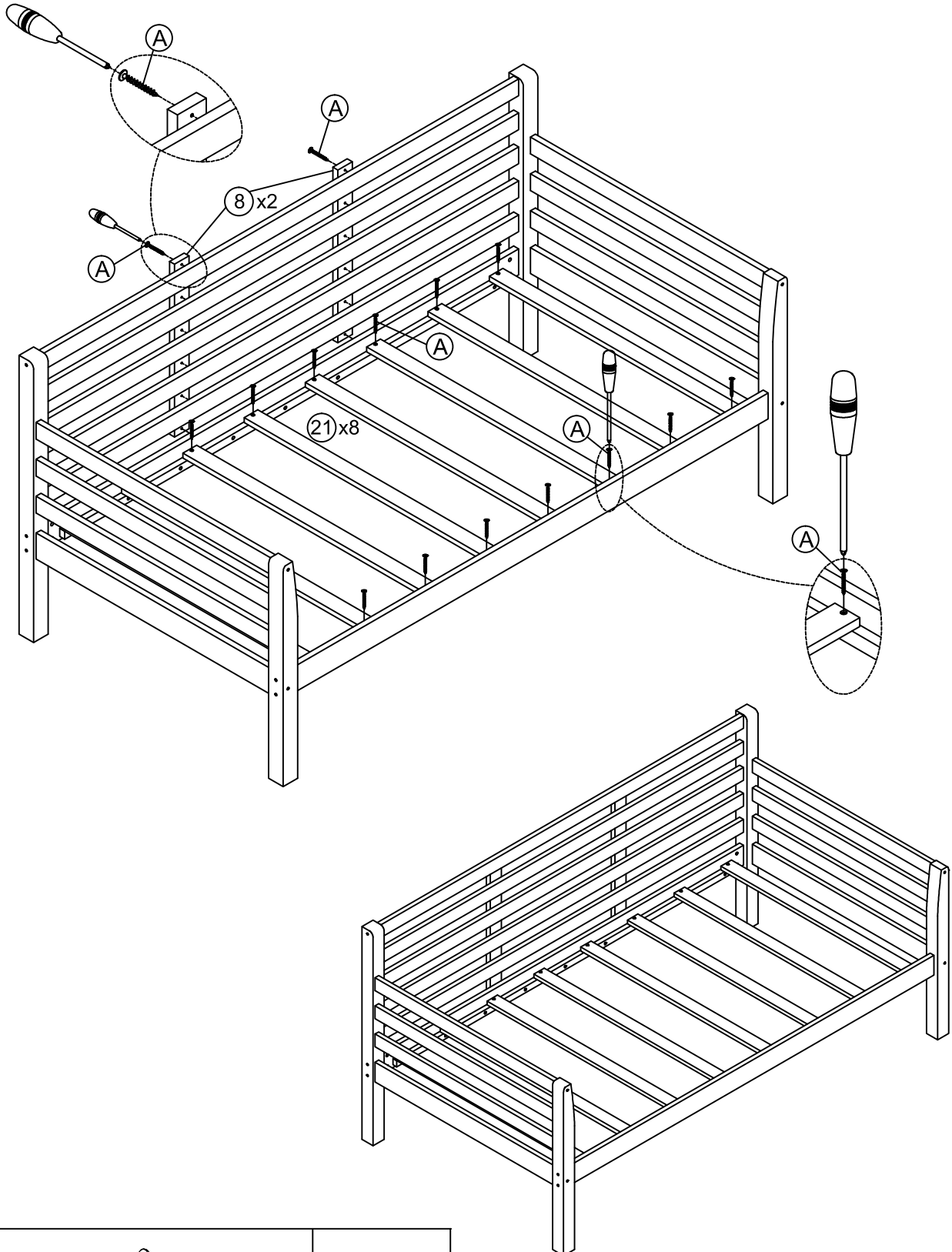


| | | | | | | | |
|----------|---------|---|------|----------|---------|---|-------|
| E | 4x58 |  | 1PC | D | Ø10x40 |  | 22PCS |
| C | 1/4x100 |  | 8PCS | B | 6.5x100 |  | 2PCS |

ASSEMBLY INSTRUCTIONS

Step 3

First attach 2pcs part 21 to the front and end of the frame between headboard. Then attach the remaining part 21 equidistantly between headboard



A

Ø4x30



28PCS