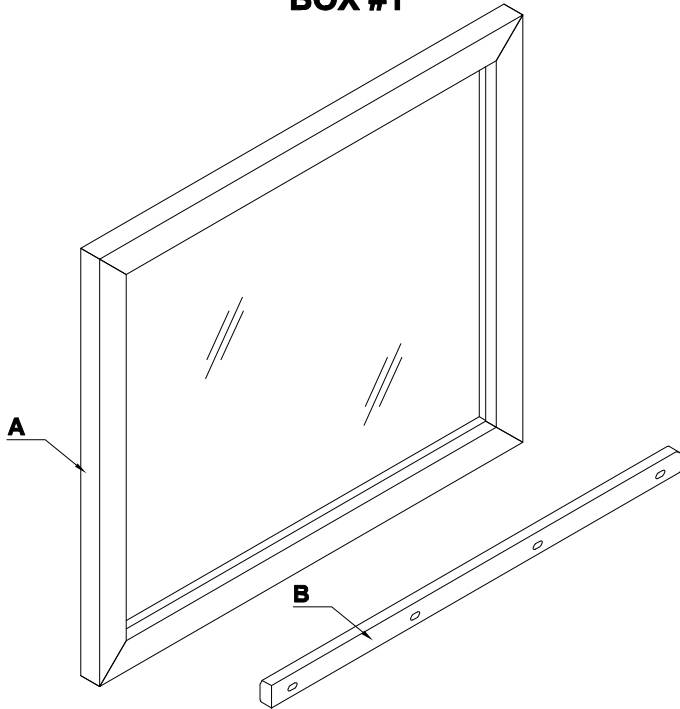


# LUCERNE MIRROR ASSEMBLY INSTRUCTIONS

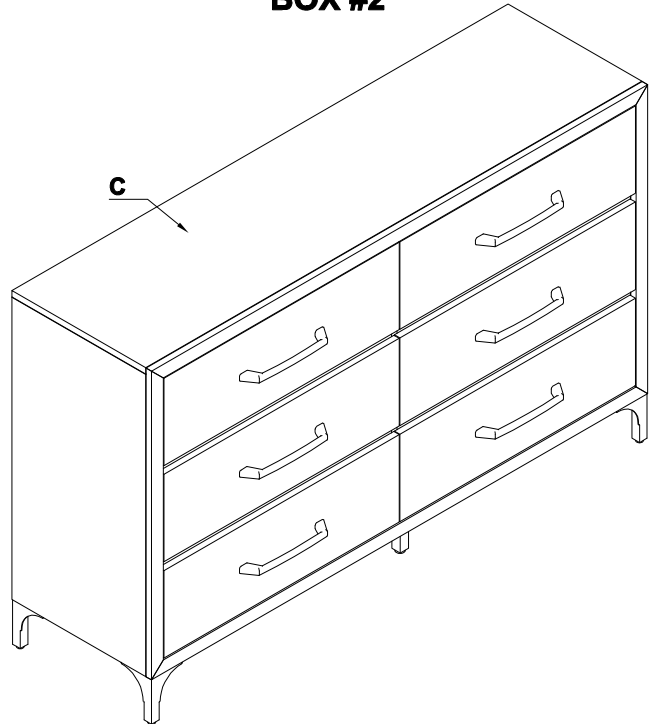


## BOX #1



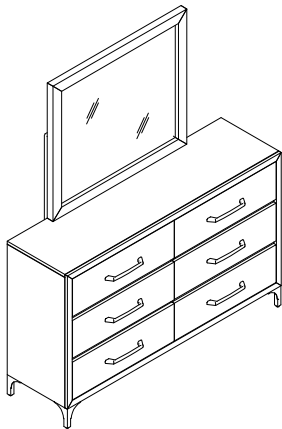
- A. DRESSER MIRROR 1PC
- B. MIRROR SUPPORT 2PCS

## BOX #2

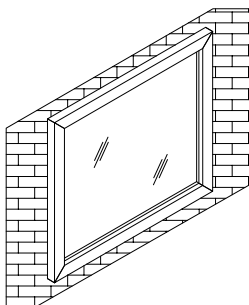


- C. 6 DRAWER DRESSER 1PC

## OPTION 1

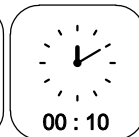
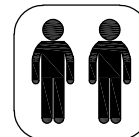


## OPTION 2

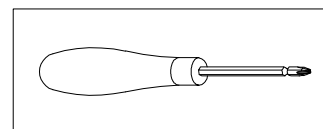


## HARDWARE PACKED IN BOX #1

1	ALLEN BOLT (M6x35)		8 PCS
2	SPRING WASHER (M8)		8 PCS
3	FLAT WASHER (M8x19)		8 PCS
4	ALLEN KEY (M4)		1 PC
5	WOOD SCREW (M4x40)		2 PCS



**TOOL REQUIRED**  
PHILLIPS HEAD SCREW  
DRIVER NOT PROVIDED

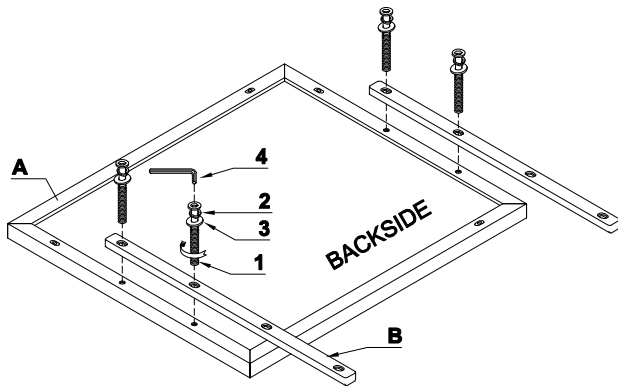


# LUCERNE MIRROR ASSEMBLY INSTRUCTIONS

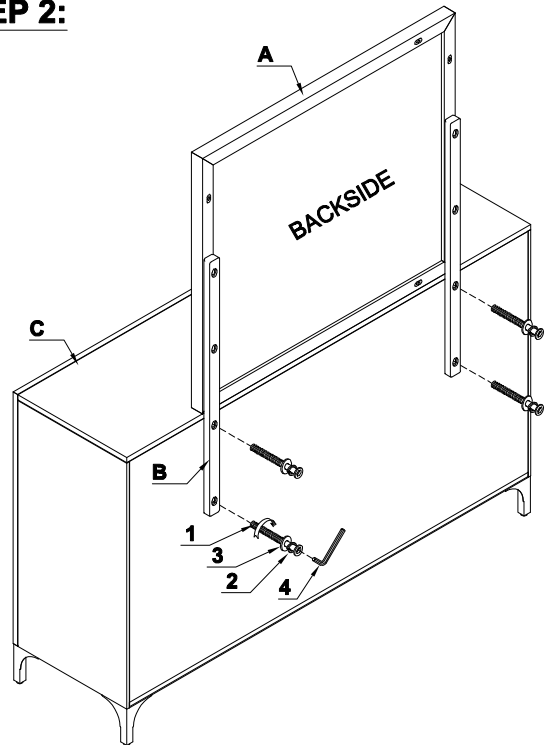


## OPTION 1: ATTACHING MIRROR TO DRESSER

### STEP 1:



### STEP 2:



## OPTION 2: ATTACHING MIRROR TO WALL

Pre-Installed mirror brackets are teardrop shaped. Test connection between mirror bracket and the mounting hardware before installing for a secure fit. Install mounting hardware on the wall. Make sure the distance between mounting hardware center on the wall matches the distance between brackets center of the mirror.

**CAUTION !** We recommend installing mounting hardware in wall studs or a board that is secured to the studs. Consult a professional installer before installing in drywall.

Hang the mirror from the mounting hardware. Ensure teardrop brackets have caught the mounting hardware.

