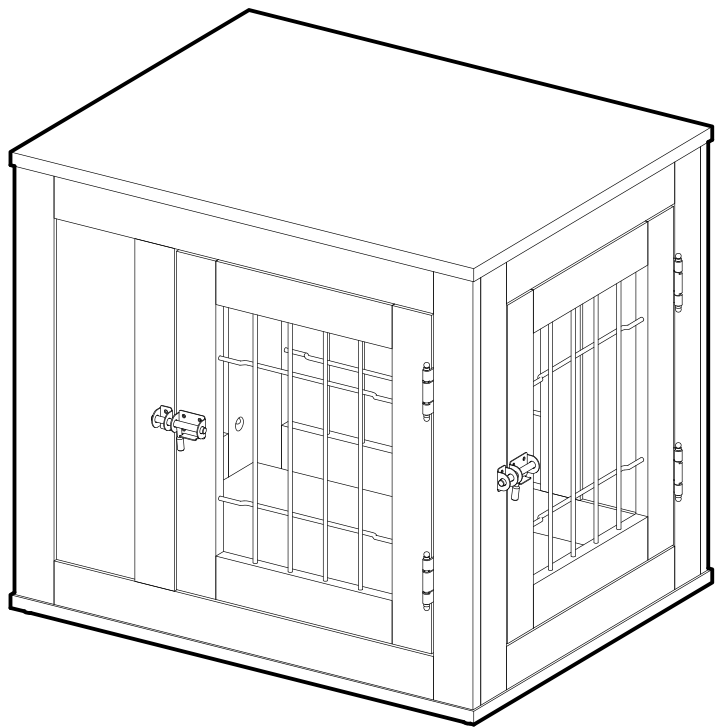
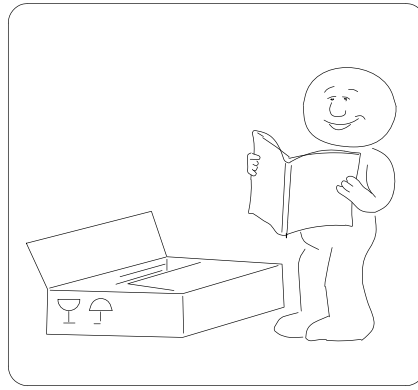
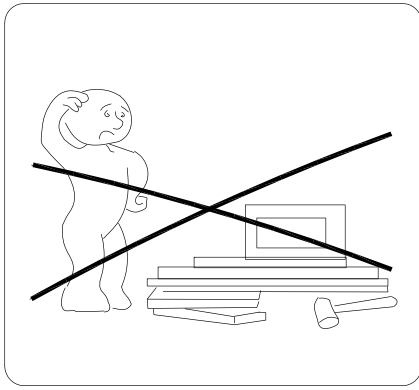


Universe Home Inc



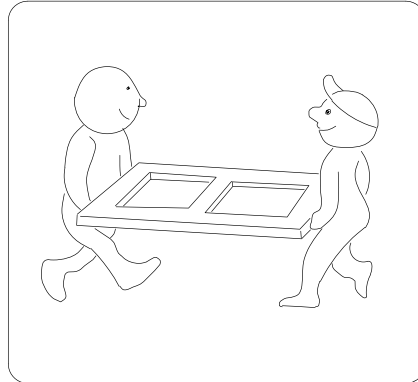
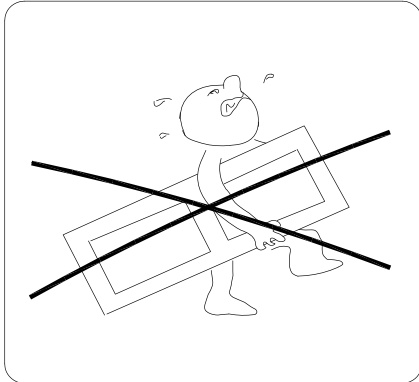
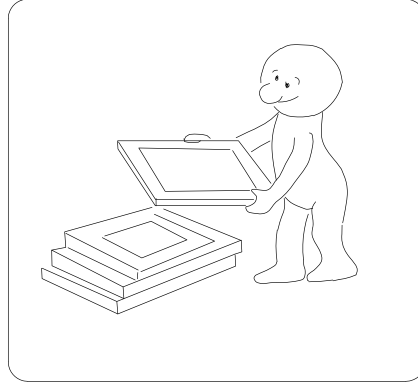
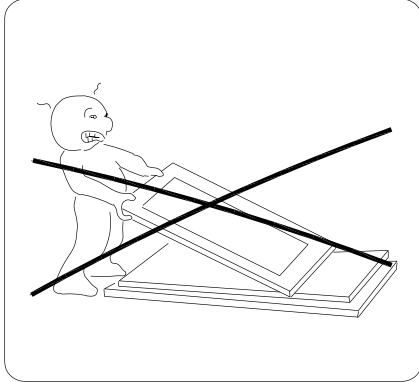
ASSEMBLY AND CARE INSTRUCTION

Small Dog Crate



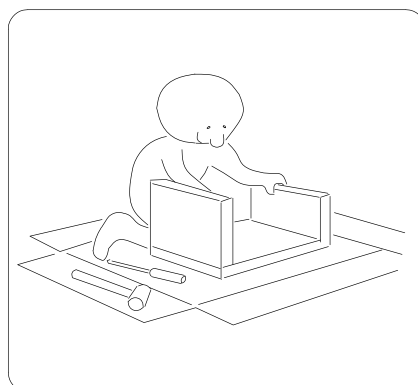
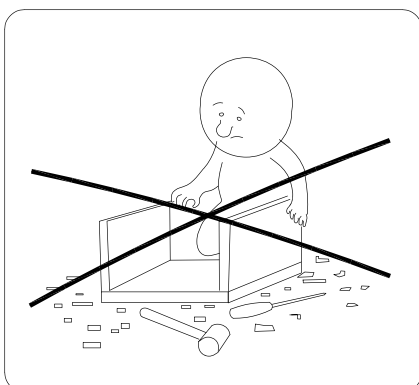
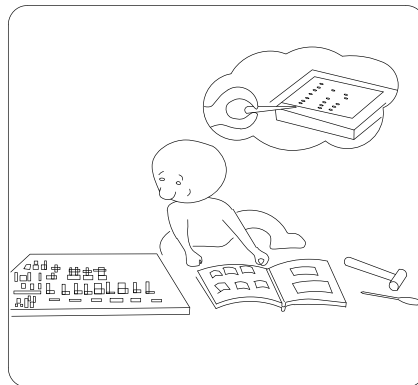
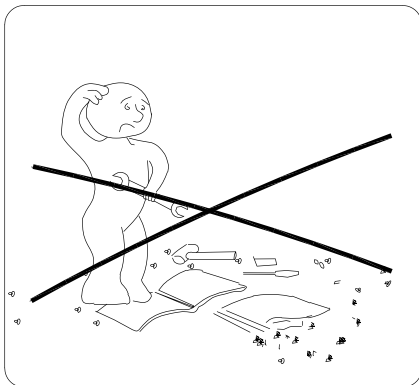
! WARNING !

1. PLEASE READ ALL INSTRUCTIONS CAREFULLY BEFORE STARTING ASSEMBLY.
2. DO NOT LET ANY SHARP OBJECTS TOUCH OR RUB THE SURFACE OF THE PRODUCT.
3. WHEN ASSEMBLING, DO NOT LET CHILDREN PLAY AROUND THE WORKING AREA.
4. PLEASE CONFIRM ALL PARTS ARE CORRECT BEFORE STARTING THE ASSEMBLY PROCESS.
5. DO NOT TIGHTEN ALL BOLTS AND SCREWS COMPLETELY UNTIL THE ENTIRE UNIT HAS BEEN ASSEMBLED AND SET UP.

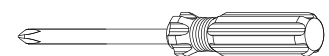


ADVISE

1. DO NOT SIT OR STAND ON THIS PRODUCT. IT IS INTENDED FOR PETS ONLY.
2. THIS PRODUCT SHOULD BE ASSEMBLED BY AN ADULT.
3. PLEASE PUT THE PRODUCT ON A SMOOTH SURFACE AFTER YOU ASSEMBLED IT.
4. PLACE ALL PARTS ON A CLEAN AND SMOOTH SURFACE SUCH AS A RUG OR CARPET TO AVOID THE PARTS FROM BEING SCRATCHED.
5. THE SCREW OF HINGE ON THE DOOR ALSO CAN BE ADJUSTABLE, TO MAKE IT EVEN THEN TIGHTEN ALL SCREWS.

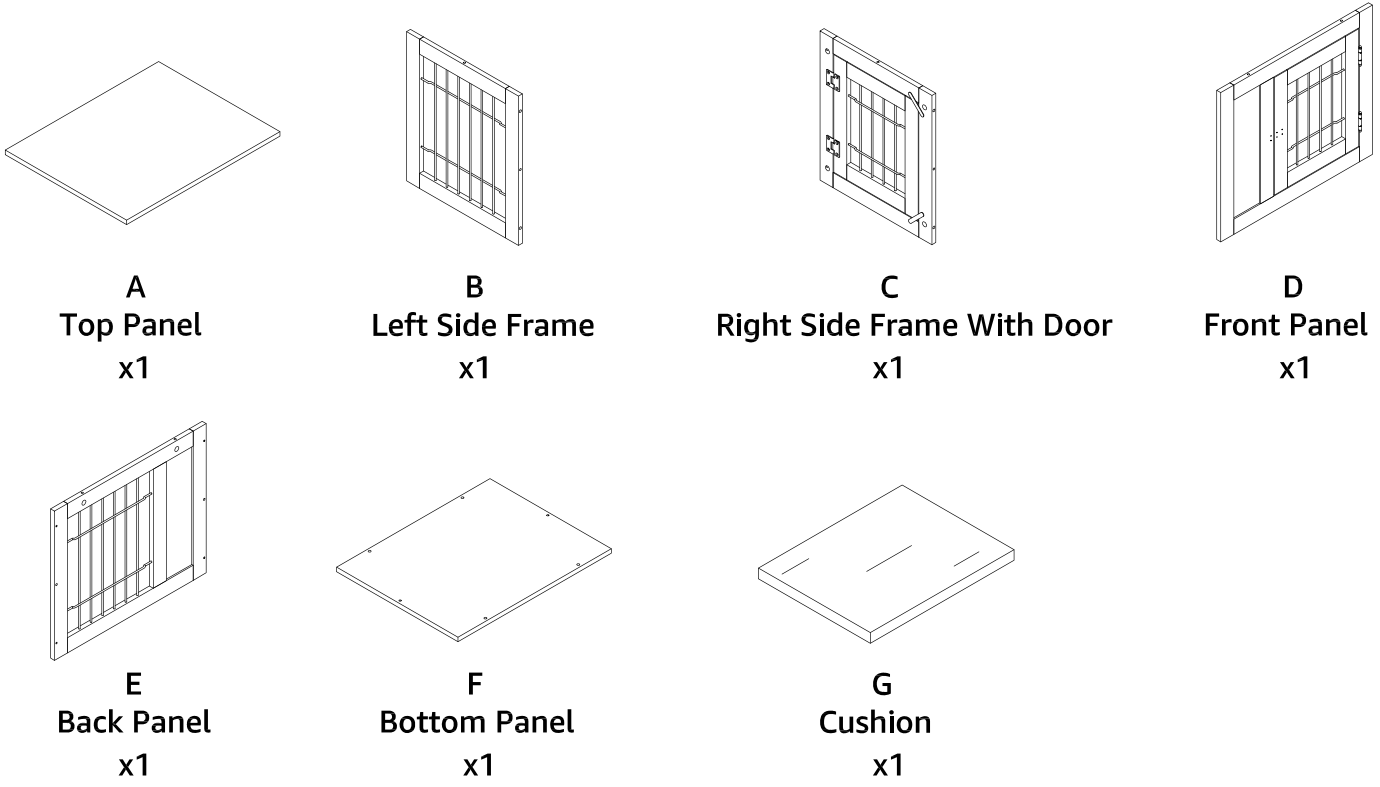
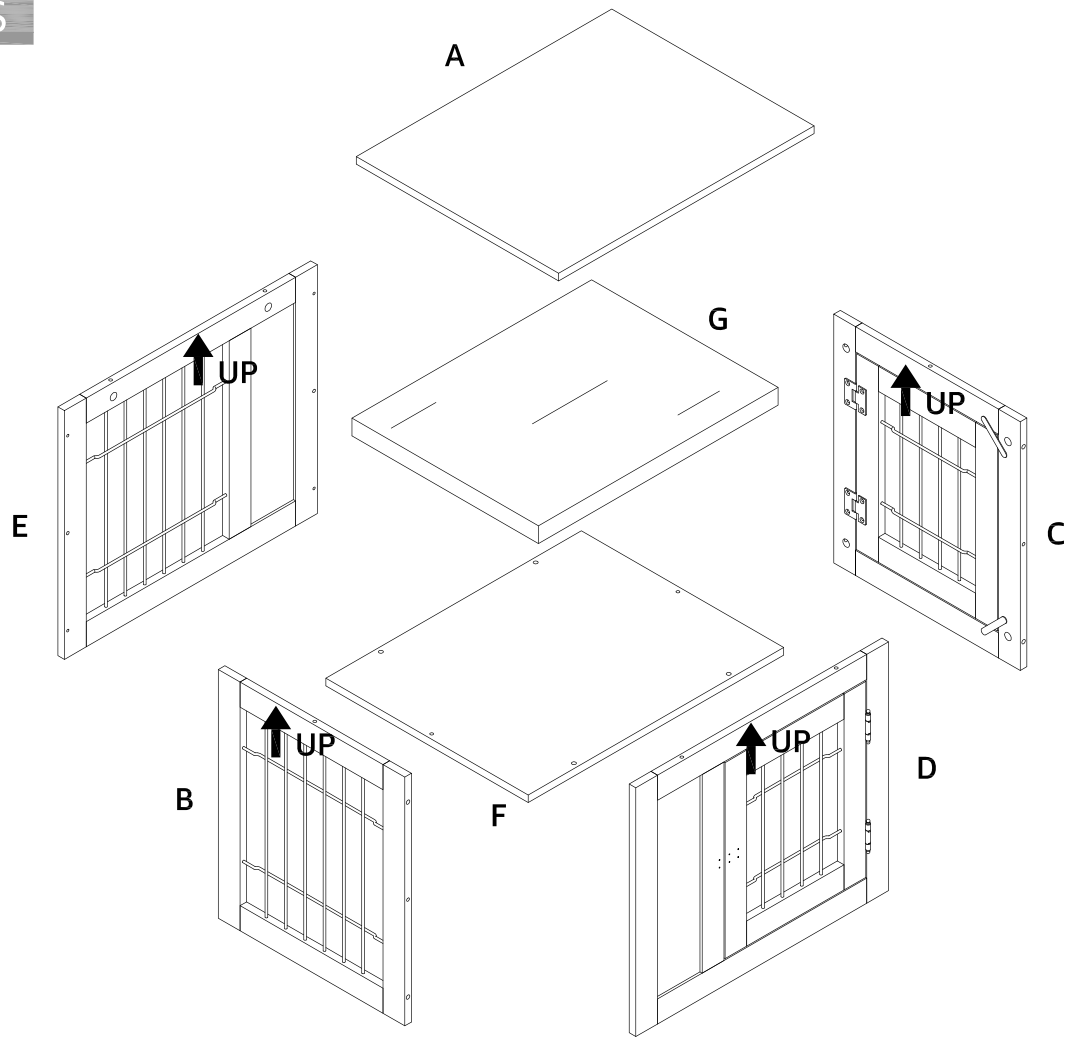


TOOL NEEDED

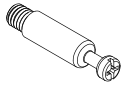


**SCREWDRIVER REQUIRED
- NOT INCLUDED**

PARTS



HARDWARE



1
x 12 pcs



2
x 12 pcs



3
x 8 pcs



4
x 2 sets



5
x 12 pcs



6
x 4 pcs



7
x 4 pcs



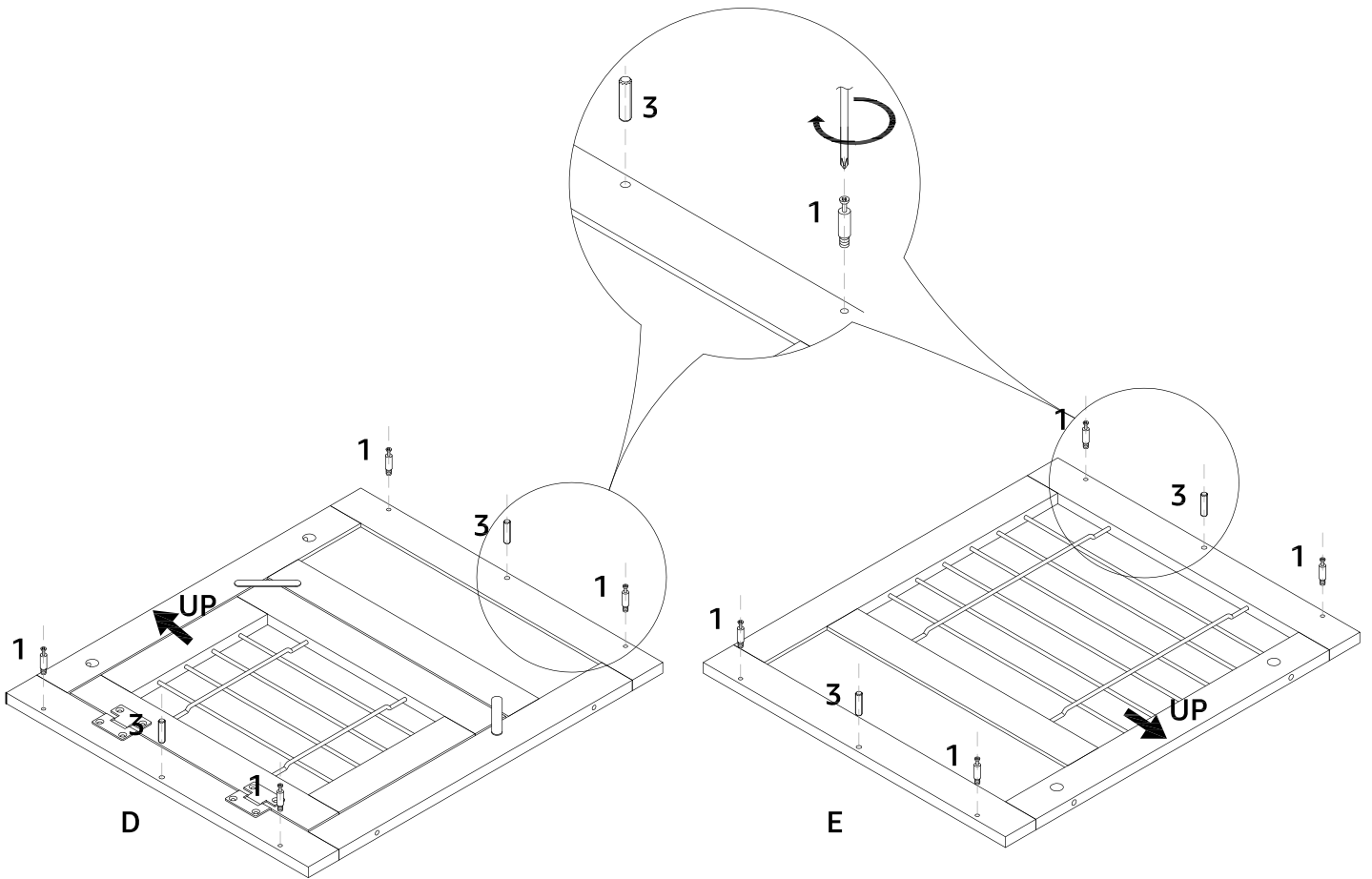
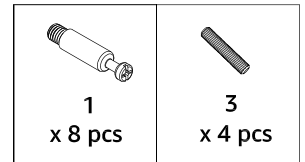
8
x 4 pcs




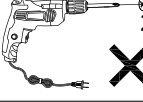
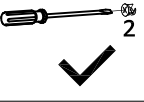
9
x 1 pc

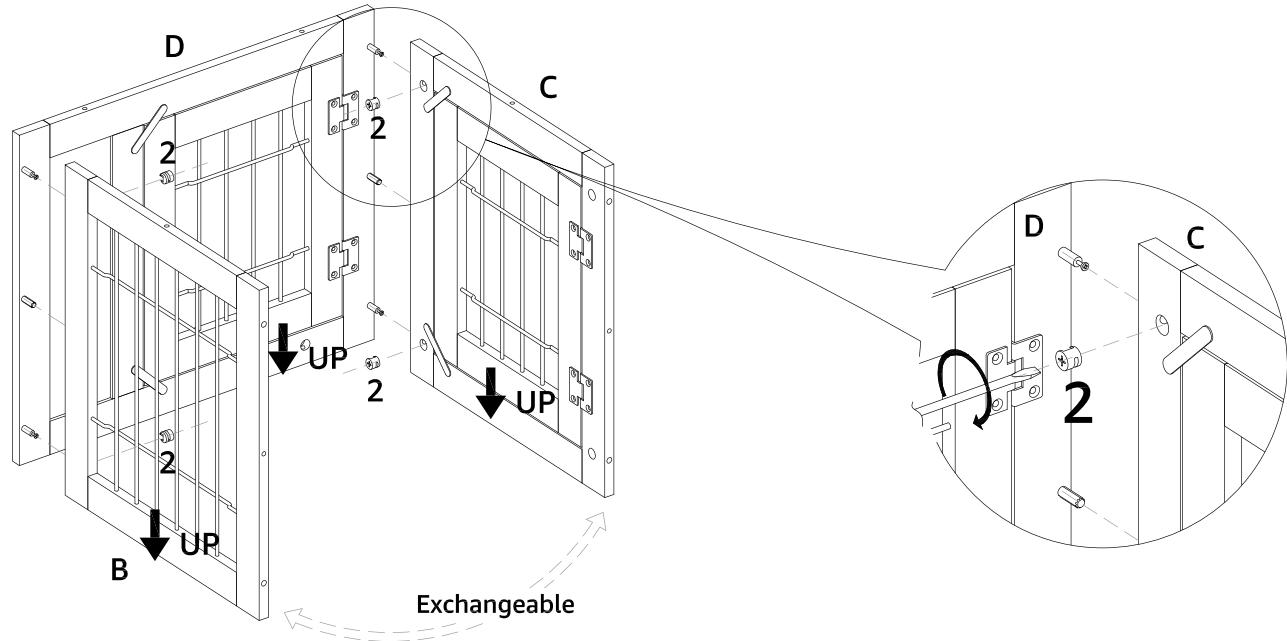
ASSEMBLY INSTRUCTIONS

1 Tighten pin 1 and insert wooden dowel 3 into front panel D and back panel E.

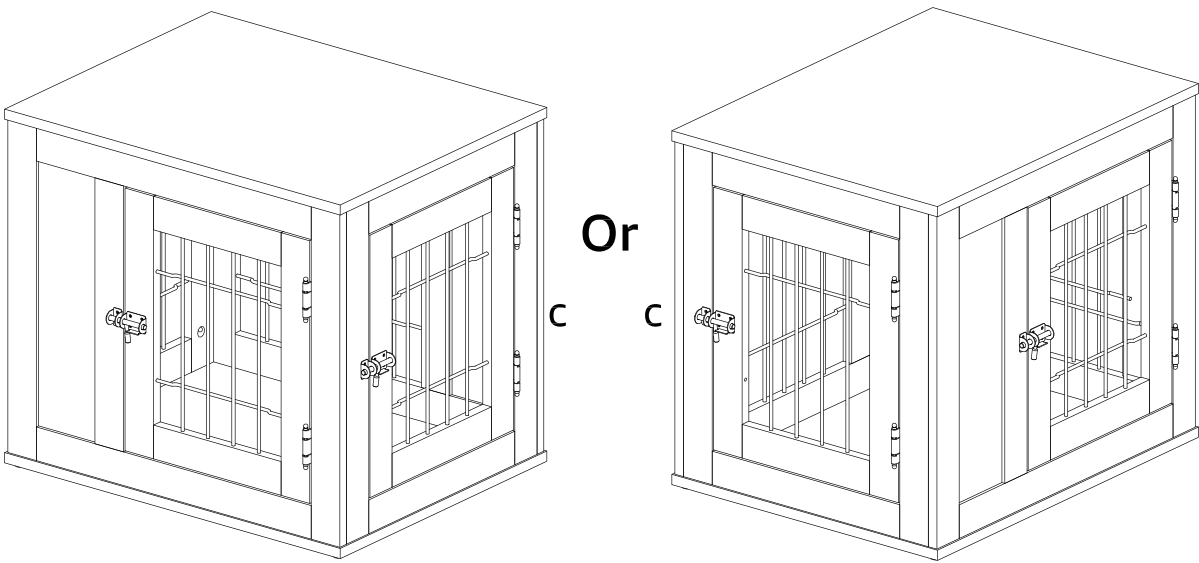


2 Connect left side frame B & right side frame with door C to front panel D, insert cam lock 2 into the hole on left side frame B & right side frame with door C, tighten cam lock 2 to pin 1.

 <p>2 x 4 pcs</p>	 <p>NO!</p>	 <p>YES!</p>
--	--	---



! Left side frame B & right side frame with door C can be exchangeable, the positions depend on your need.

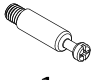


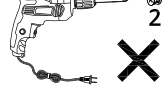
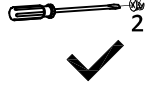


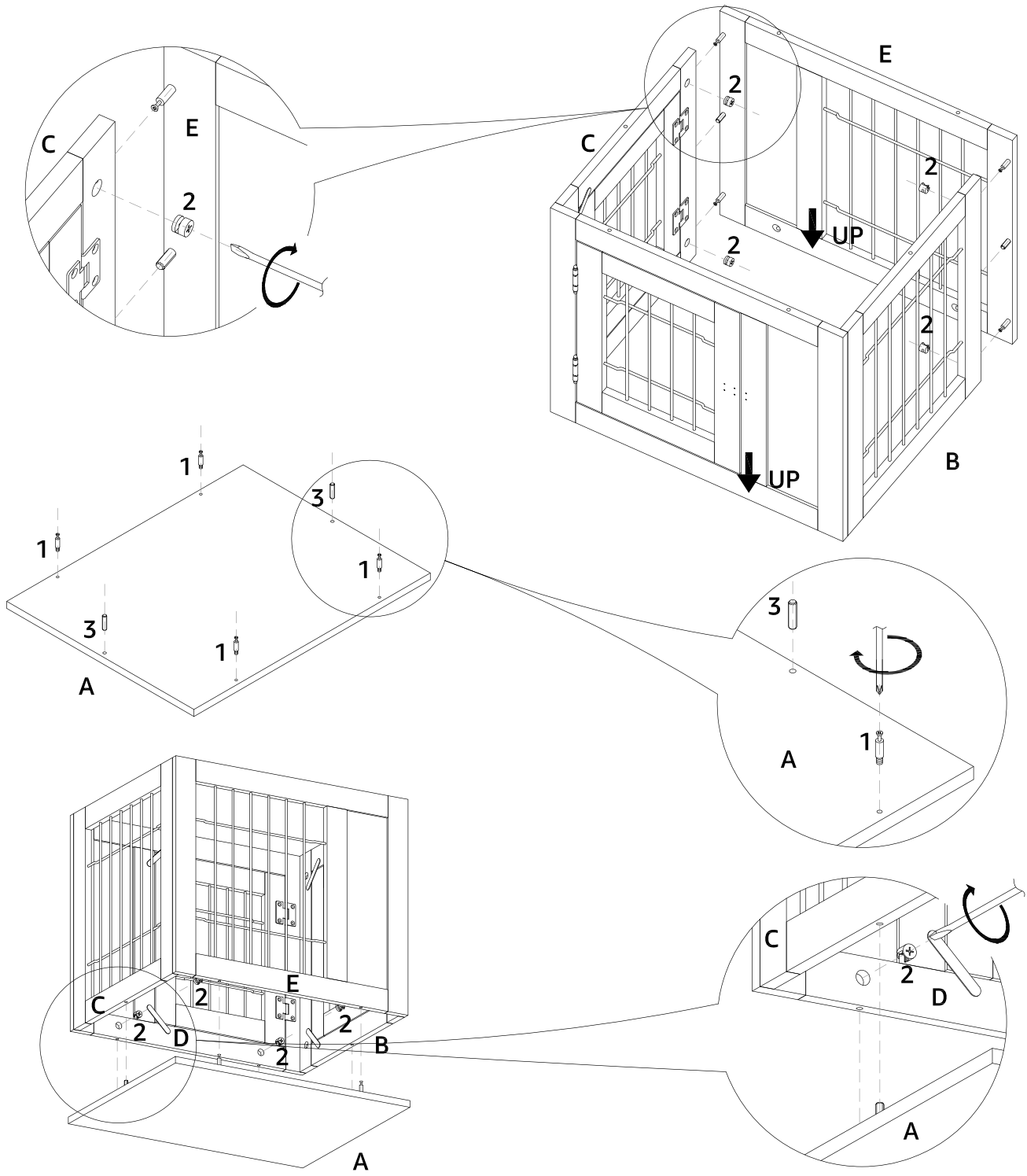
3

Connect back panel E to left side frame B & right side frame with door C, insert cam lock 2 into the hole on left side frame B & right side frame with door C, tighten cam lock 2 into pin 1.

Tighten pin 1 and insert wooden dowel 3 into top panel A.

Input the assembled body frame to top panel A, insert cam lock 2 into the hole on front panel D and back panel E, tighten cam lock 2 to pin 1.

 1 x 4 pcs	 3 x 2 pcs	 2 x 8 pcs	 NO!	 YES!
---	---	---	--	---

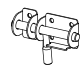








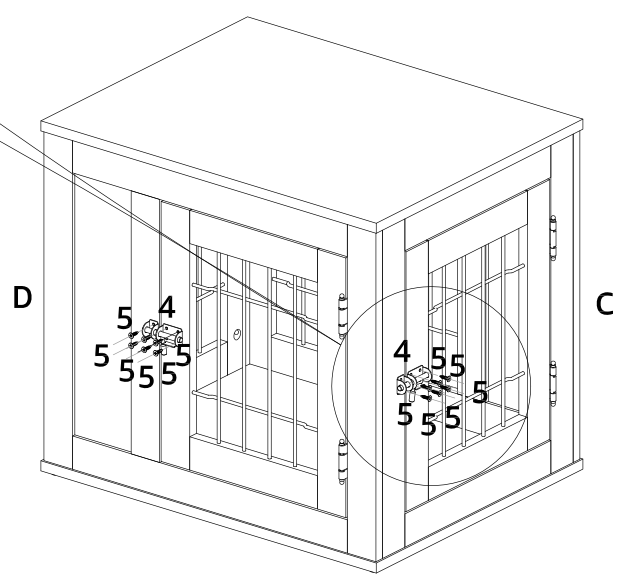
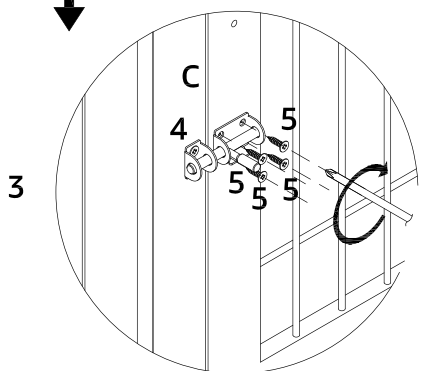
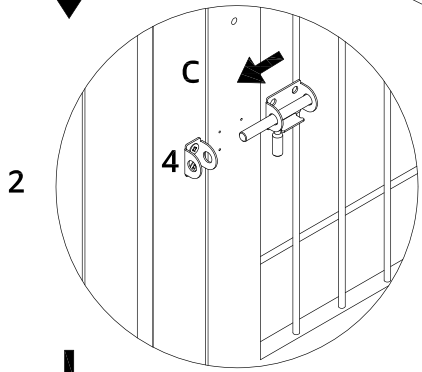
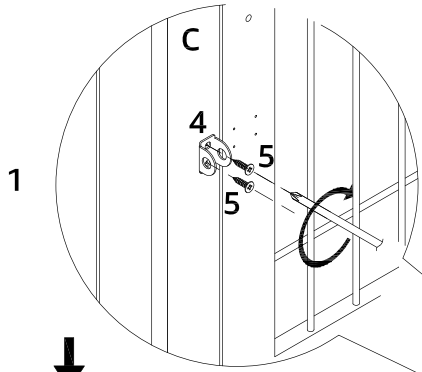
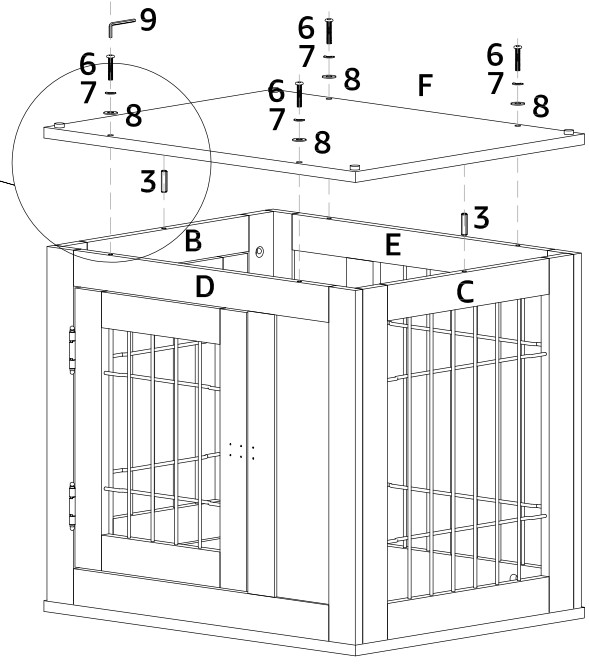
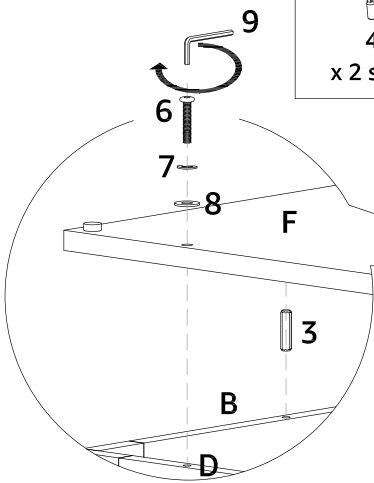
4

Insert wooden dowel 3 into left side frame B & right side frame with door C, then connect bottom panel F to assembled body frame with bolt 6 with washer 7 & 8 by Allen Wrench 9.

Turn the body frame upside down.

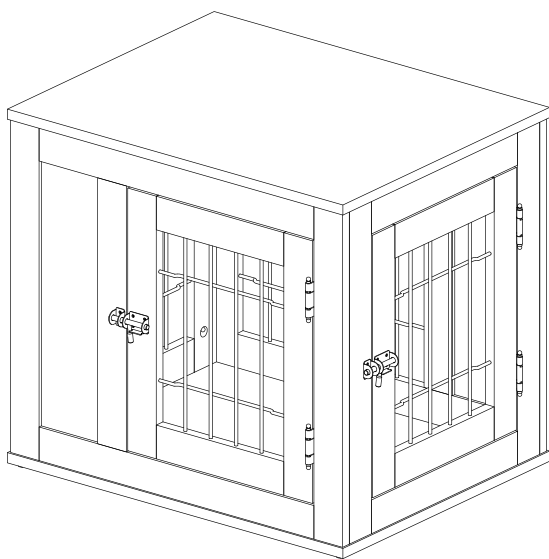
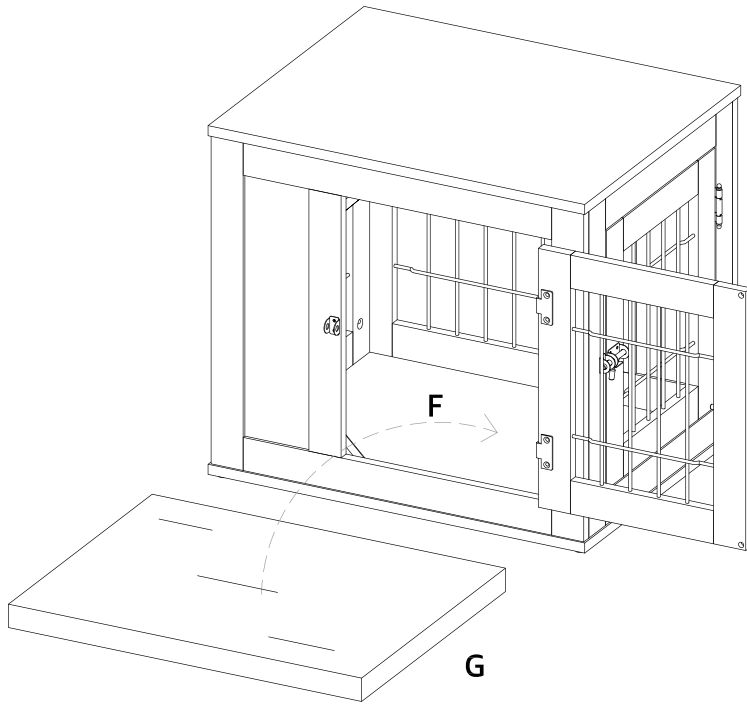
Install the latch 4 to front panel D and right side frame with door C with screw 5, the detailed steps shown as below images.

						
4 x 2 sets	5 x 12 pcs	3 x 2 pcs	6 x 4 pcs	7 x 4 pcs	8 x 4 pcs	9 x 1 pc



 Please latch it before fixing on the door.

5 Input cushion G into the dog crate.



Or

