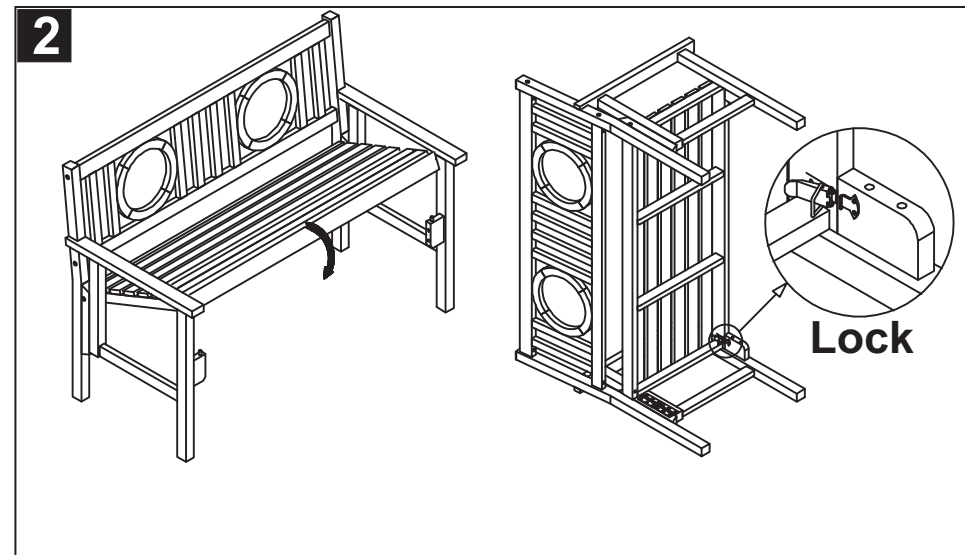
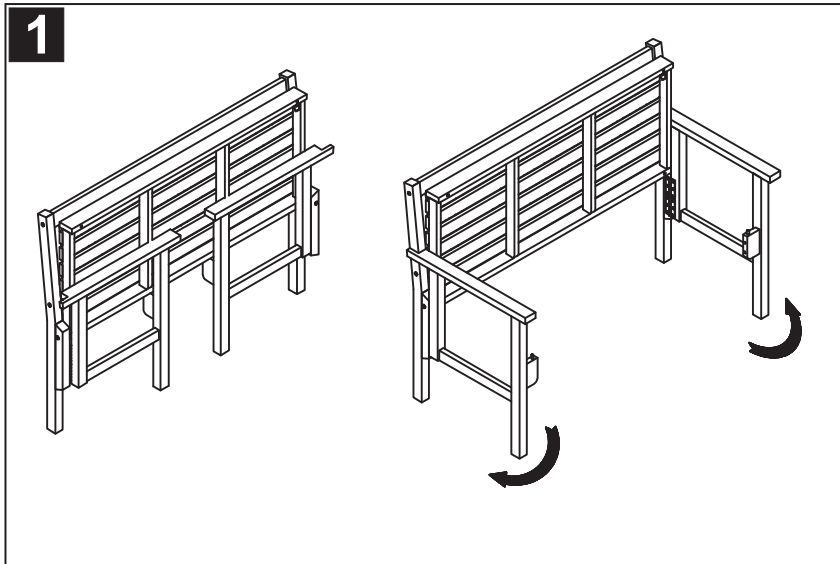


PREPARATION

Before beginning the assembly of the product, make sure all parts are present. Compare the parts with the package contents list and hardware contents list. If any parts are missing or damaged, do not attempt to assemble the product. Tool required for assembly (included): Allen Key.



Step 1: turn on both side leg same as picture.

Step 2: turn seat down and then can lock the seat to the leg as shown on picture.

CARE AND MAINTENANCE

Store outdoor furniture indoors or cover well when it is not in use. Dust regularly with small brush or vacuum. Spills should be taken care of immediately before they harden or stain with a slightly dampened sponge.

NOTICE

Please make sure that you have all parts indicated before you begin assembly of this item.

Product Dimension: 48.43"W x 23.62"D x 34.65"H

Weight capacity : 600 lbs.

Warning : Do not stand on the bench

Warning : Do not torque bolts / screws

