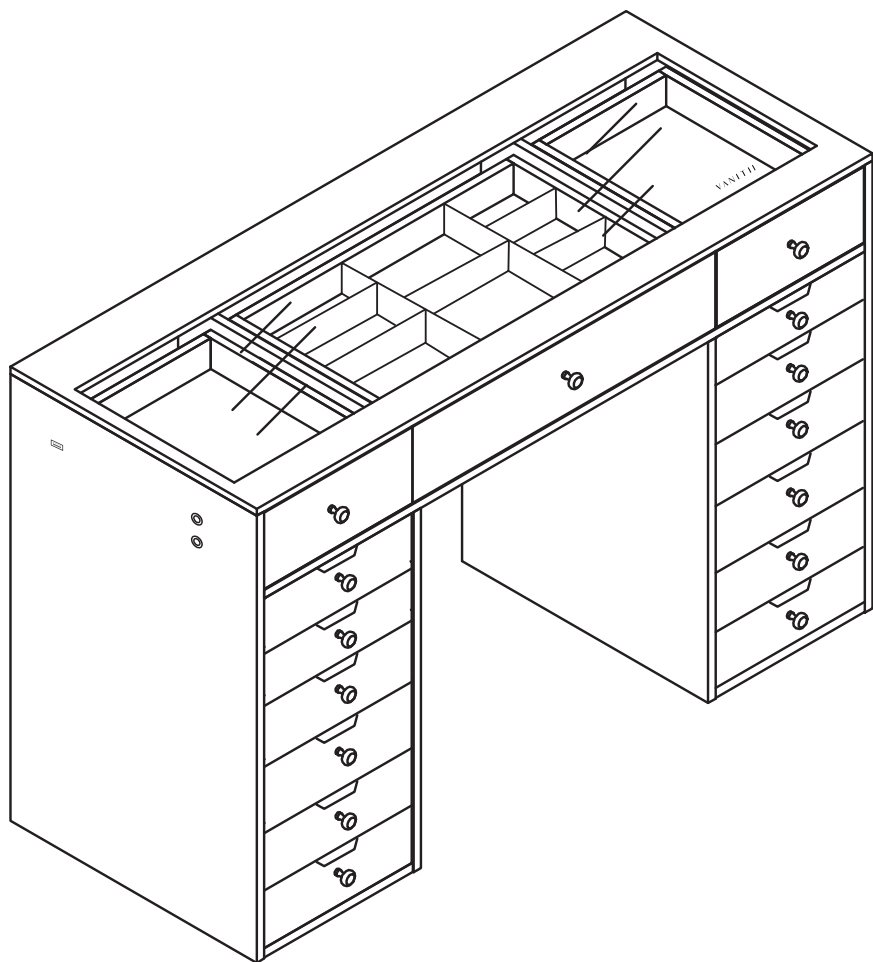


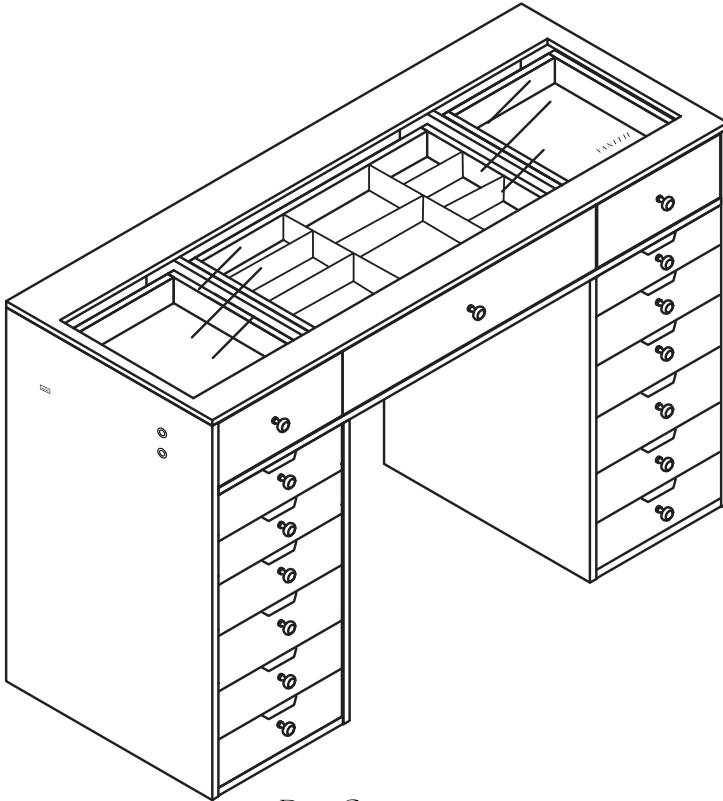
# VANITII



# VANITII

## Lisa Vanity Desk

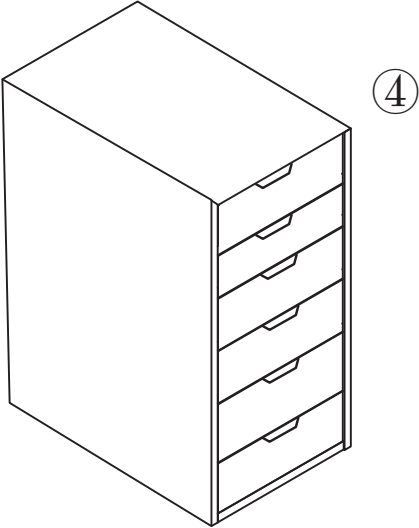
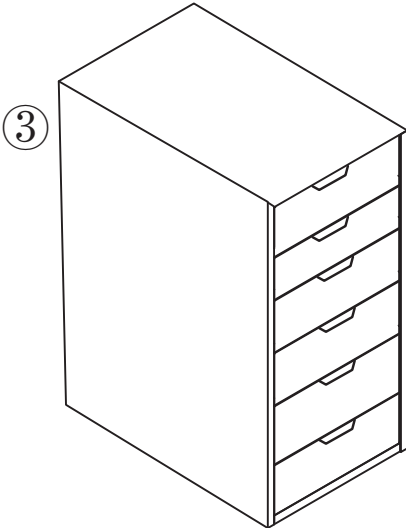
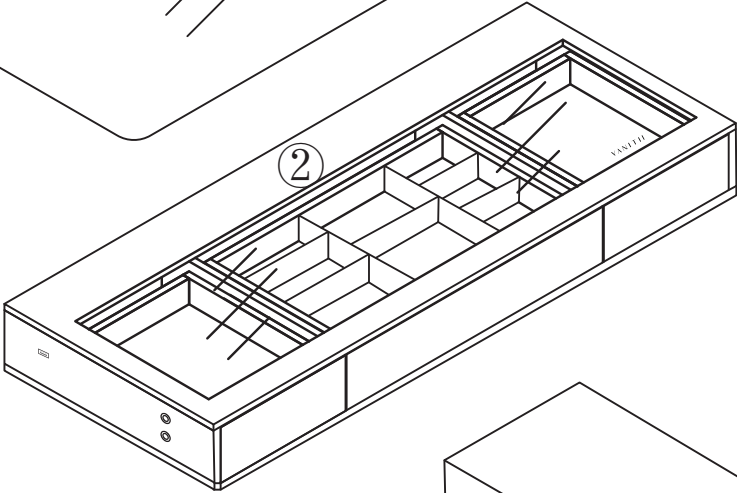
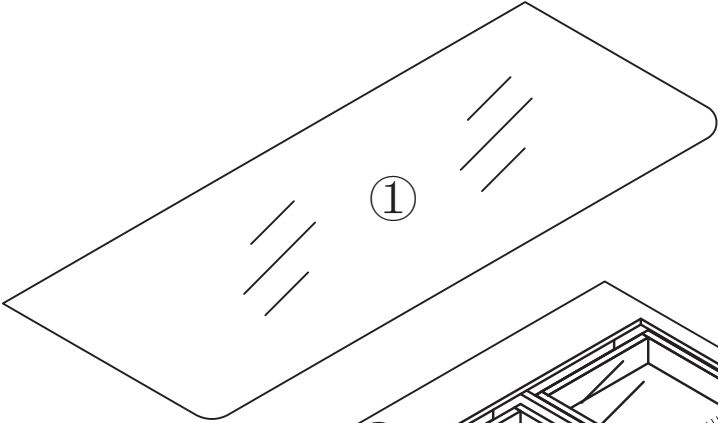
**PLEASE READ THIS MANUAL THOROUGHLY BEFORE USING THIS APPLIANCE**



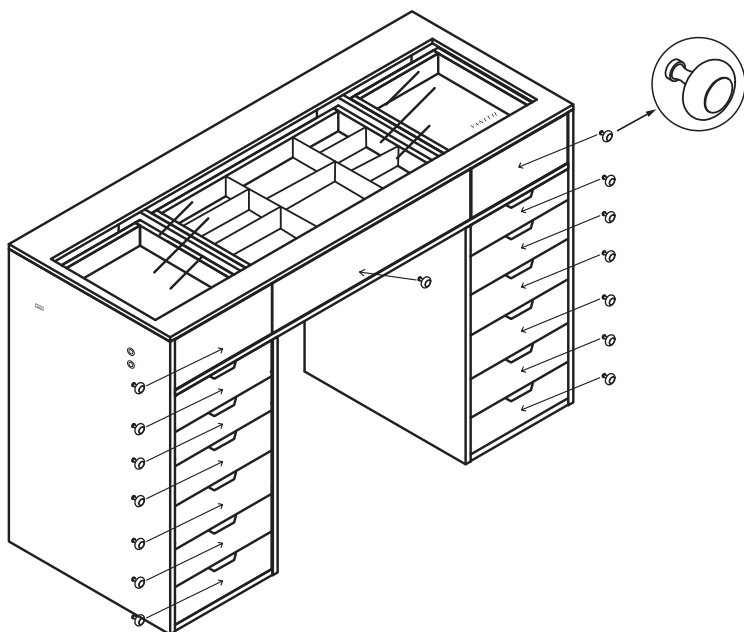
Dear Customer:

Thank you for allowing us in your glam room, please pay attention to the following points when installing:

1. Before installation, please spread carpet or fabrics like cotton or velvet on your floor to avoid damaging your floor and/or this product.
2. Only adults are allowed to install - please remove all children from the area



STEP 1.



STEP 2.



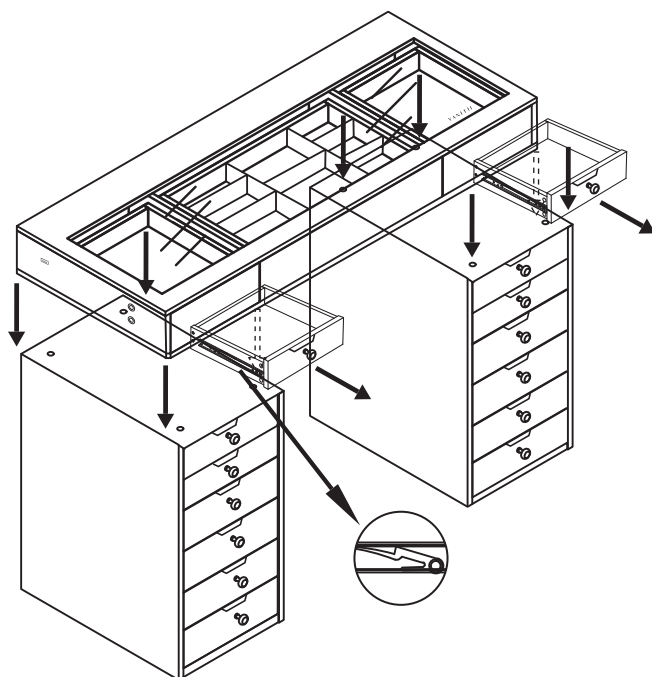
Screwdriver\*1



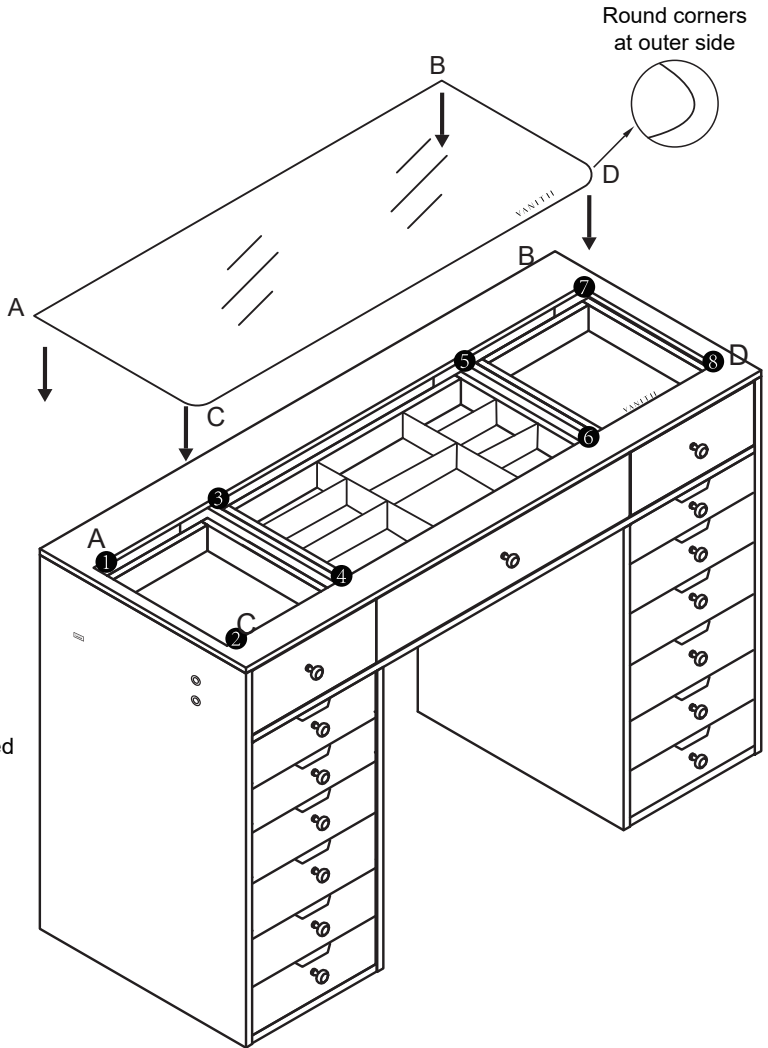
6x30mm

Screw\*8

+2 spare part included



STEP 3.



# Lisa Pro Vanity Desk



USB Port




A line points from the text 'USB Port' to a small rectangular port on the side of the vanity desk.

Turn on/off the light

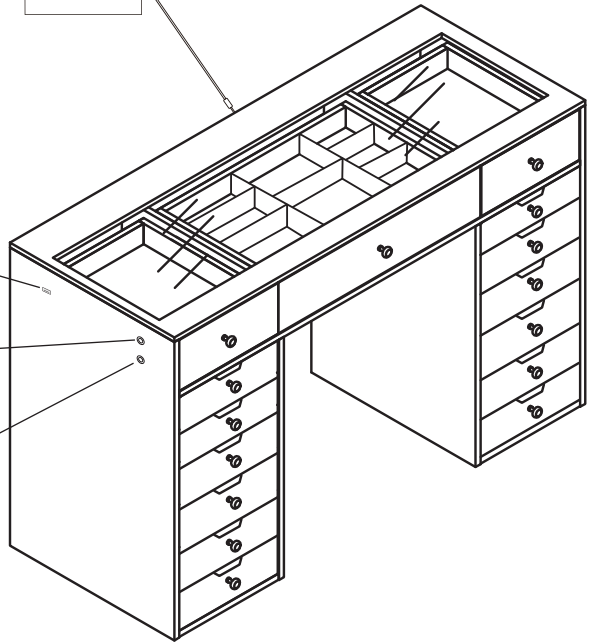


A line points from the text 'Turn on/off the light' to two small circular buttons on the side of the vanity desk.



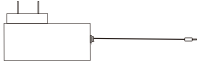


Short Press: Color Change (White+RGB light)  
Long Press: Trotting Horse Lamp



A line points from the text box to the two small circular buttons on the side of the vanity desk.



## ACCESSORIES ITEMS

 Handle*15+1	 6x30mm Screw*10	 Adapter*1
 Screwdriver*1	 Silicone Pad*10 (Only For Matte White Item)	



**HANDLE WITH CARE.**

**Gently unpack all parts to avoid damage.**

**When assembling, ensure all screws are fully tightened before use.**