

ADULT ASSEMBLY REQUIRED

Model Number: 074534
CC Wall Mounted Easel

BIRD•IN•HAND
Woodworks, Inc.

Lancaster, Pennsylvania
A member of the School Specialty, Family

Product Guide - General Instructions and Information

Customer Service:

P.O. Box 1579
Appleton, WI 54912-1579
Phone: 1-888-388-3224
Customer Care Website:
<https://help.schoolspecialty.com/s/>

Warning:

This product is for children.
Supervision is required at all times.

Warning:

Manufacturer is not responsible for
modifications made to our products
by customers.

Cleaning:

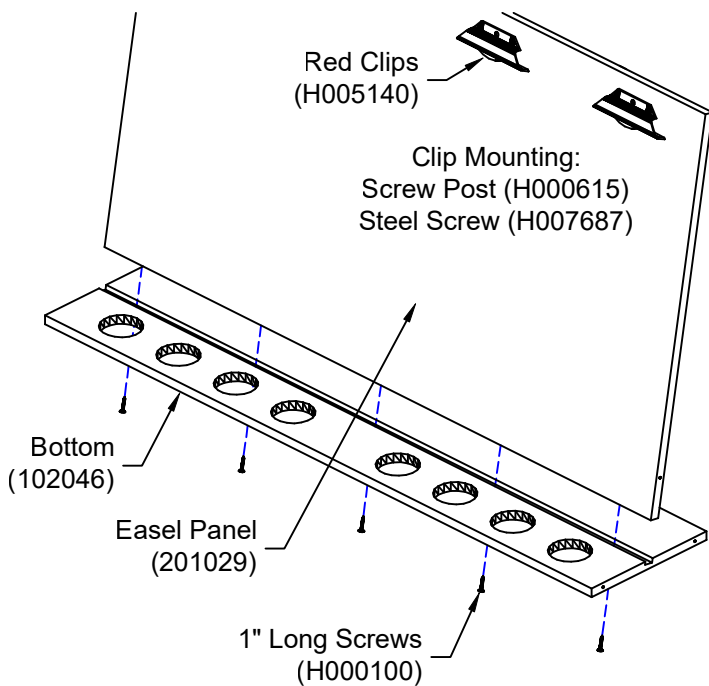
Use a mild soap and water
solution. Be sure to wipe all
water from the wood surface.

Important:

Do not discard these instructions.
Keep for future reference.

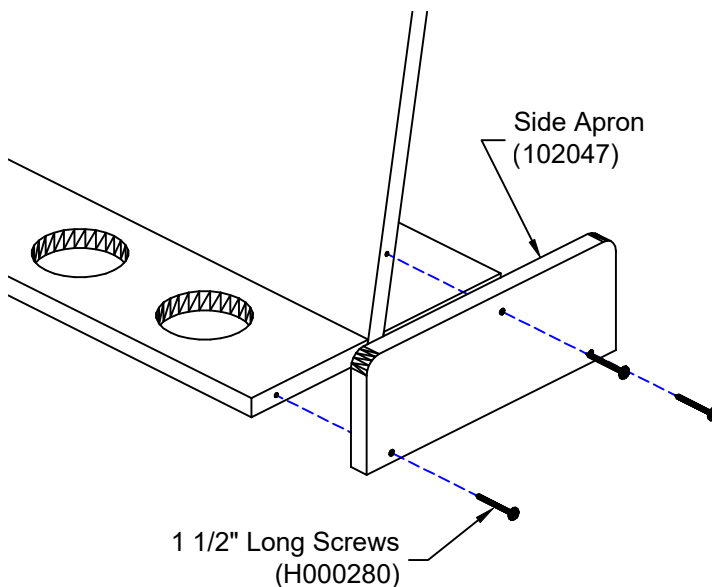
STEP 1:

Attach the bottom panel to the easel panel using the 1" long flat head screws.



STEP 2:

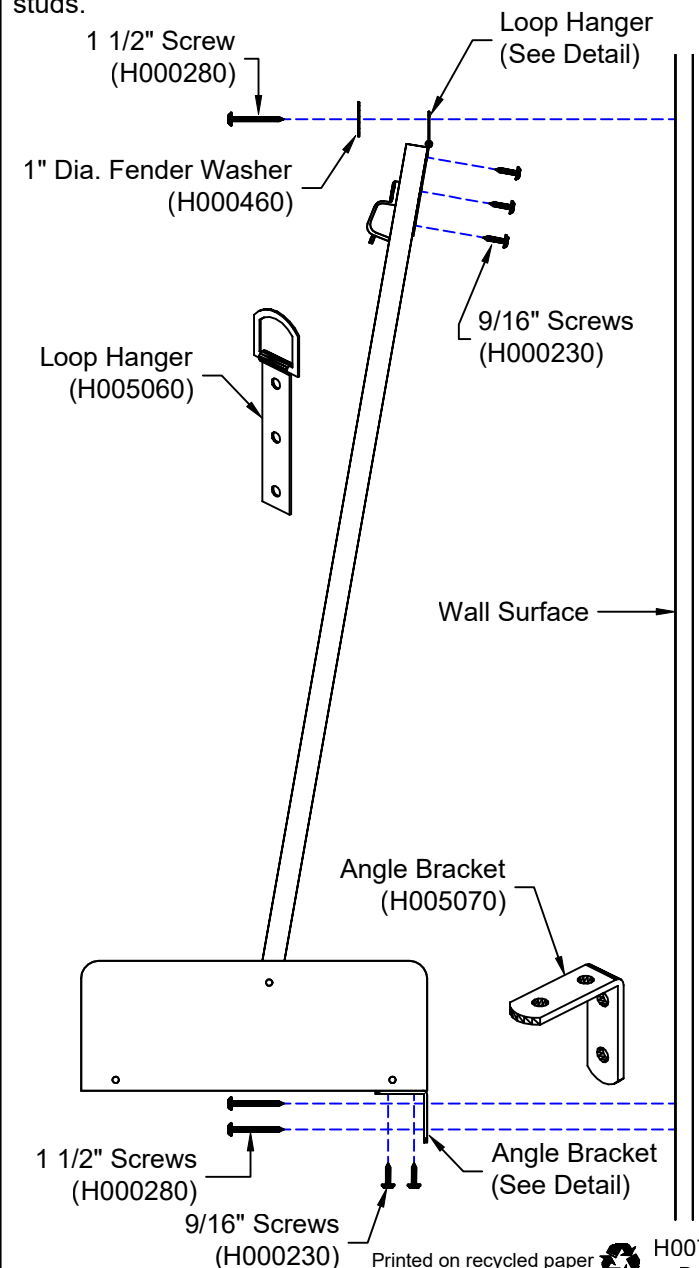
Attach the side aprons using the 1 1/2" long screws.



- Use part numbers listed for replacement parts -

STEP 3:

Attach the loop hangers and angle brackets to the assembled unit using the 9/16" long screws. The locations for these pieces will depend upon the locations of the wall studs. Attach the hangers and brackets on the unit so that the 1 1/2" long mounting screws will be driven into the wall studs.



Printed on recycled paper



H007621
Rev. #2