



furnishing better  
lives together<sup>®</sup>

WWW.JOFRAN.COM

# ASSEMBLY INSTRUCTIONS & PARTS IDENTIFICATION

## MODEL # 2546-360KD

### WESTPORT NAVY LADDERBACK CHAIR

Thank you for purchasing this quality product. Be sure to check all packing material carefully for small parts that may have come loose inside the carton during shipment.

Hardware kit (2546-360KDP46)			
No		Description	Q'Ty
A		Hexa Nut Ø7.9x0.794	4 pcs
B		Lock Washer Ø8.2	11 pcs
C		Flat Washer Ø8.2	11 pcs
D		Long Bolt Ø6.3x0.794 x 80mm(L)	4 pcs
E		Short Bolt Ø6.3x0.794x40mm(L)	3 pcs
F		Allen Key	1 pc
G		Key Wrench	1 pc

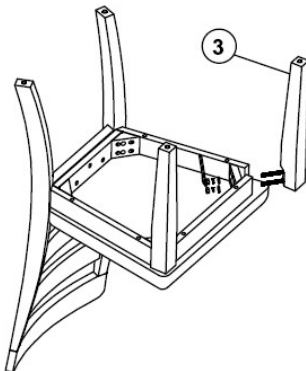
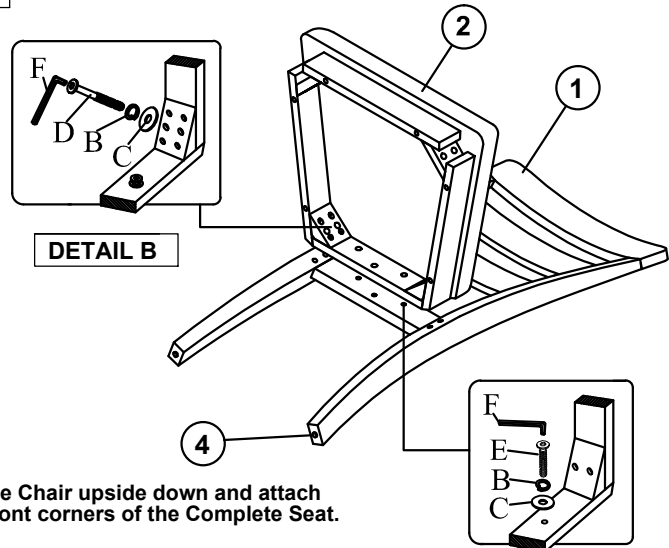
Key Parts			
No	Code	Description	Q'Ty
1		Chair Back	1 pc
2	2546-360KDP41	Complete Seat	1 pc
3	2546-360KDP42	Front Leg	2 pcs
4	2546-360P01F	Floor glide	4 pcs

#### STEP 1

- Carefully lay the Chair Back flat on a smooth, flat surface to prevent scratches.

- Attach the Complete Seat to the Chair Back by inserting a Flat Washer (C) and a Lock Washer (B) with a Short Bolt (E) into each hole on the back rail of the seat, and a Long Bolt (D) into each of the two holes at the corners of the Complete Seat. (See Detail A & B.)

- Tighten all bolts using the provided Allen Key (F) by turning clockwise until secure.



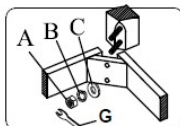
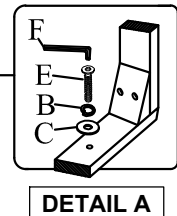
#### STEP 2

- Carefully turn the Chair upside down and attach each Leg to the front corners of the Complete Seat.

-Place a Flat Washer (C), a Lock Washer (B), and a Nut (A) onto each bolt using the provided Key Wrench (G).

- Do not fully tighten the Nuts at this stage until all parts are in position. (See Detail C.)

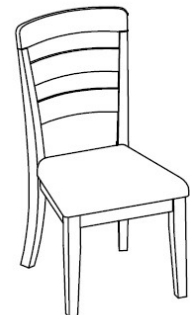
- Be sure to tighten all screws and nuts prior to using the Chair.



DETAIL C

#### LEVELING A DINING CHAIR IF NEEDED

1. With the chair fully set up, find a level surface such as a kitchen counter top that will accept the chair.
2. Loosen all the back bolts connecting the seat to the back just enough to create movement between the two pieces.
3. With the chair still upright on the level surface, slowly tighten the center bolt until snug, checking to make sure both of the two front legs are still in contact with the level surface. If not loosen the bolt, shift the seat down on the side that the leg did not touch until the both legs rest on the surface. Holding everything steady, tighten the center bolt to secure.
4. Tighten the remaining center bolts fully, always checking that all the legs are in contact to the surface.
5. Fully tighten the corner bolts.



#### FABRIC CARE INSTRUCTIONS

#### 100% POLYESTER CLEANING CODE S

To prevent overall soiling, frequent vacuuming or light brushing to remove dust and grime is recommended. Spot clean using a mild water-free solvent or dry cleaning product.

Pretest small area before proceeding.

MADE IN VIETNAM