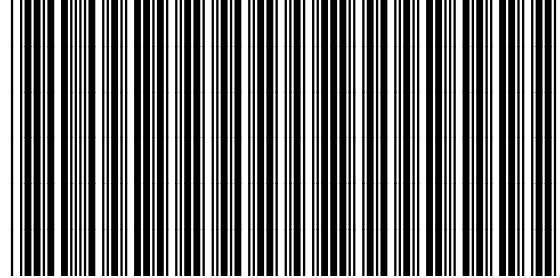




# Bakersfield Arbor

Model# 11197

W221122-A5080



## Assembly Instruction Manual

Please read instructions thoroughly before beginning assembly.

Check boxes carefully for contents listed. Some parts are packaged inside of others.

Assemble on a clean, flat, non-abrasive surface to prevent scratching.

In the event of missing or damaged parts please call or email our customer service department at the contact info below.

### Tools Required

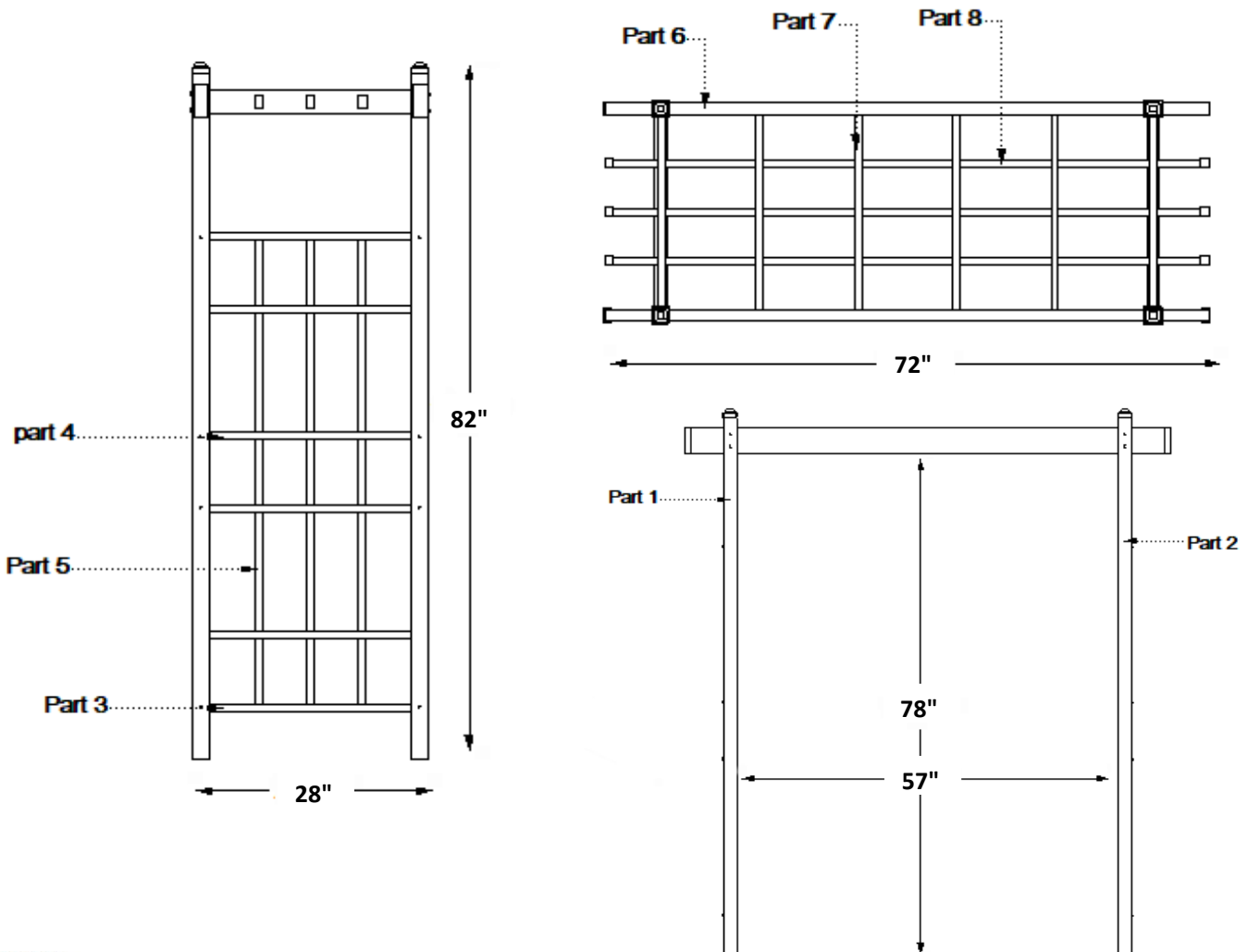
- Battery or Electric Drill (#2 phillips bit)
- Tape Measure
- Hammer or Rubber Mallet (Recommended)
- Shovel or Post Hole Digger (Recommended)

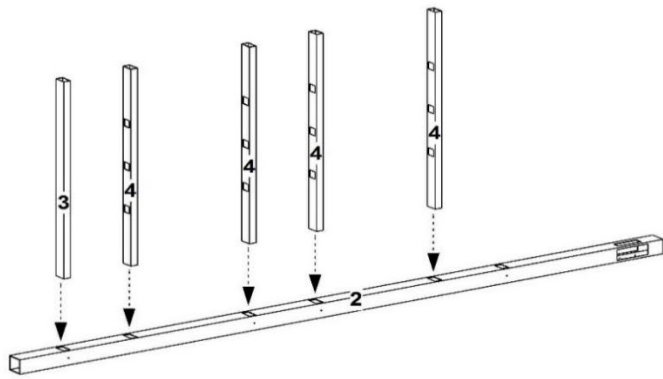
QUESTIONS? COMMENTS? CONTACT US!

115 Vision Parkway  
P.O. Box 122  
Sheboygan Falls, WI 53085

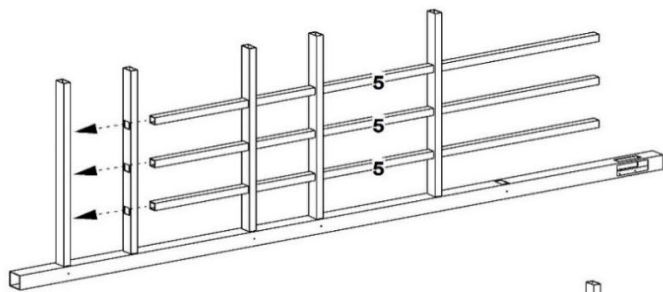
1-877-258-6020  
www.dura-trel.com  
sales@dura-trel.com

Part #	Description	Dimension	Box #	Qty
1	Left Post	2" sq. x 84"	1	2
2	Right Post	2" sq. x 84"	1	2
3	Bottom Cross Rail	$\frac{7}{8}$ " x 1 $\frac{1}{2}$ " x 27 $\frac{1}{2}$ "	1	4
4	Center Cross Rail	$\frac{7}{8}$ " x 1 $\frac{1}{2}$ " x 27 $\frac{1}{2}$ "	1	8
5	Vertical Rail	1" x 1" x 58"	1	6
6	Top Rail	1 $\frac{1}{2}$ " x 4" x 72"	1	2
7	Top Cross Rail	$\frac{7}{8}$ " x 3" x 26 $\frac{1}{4}$ "	1	6
8	Overhead Rail	$\frac{7}{8}$ " x 1 $\frac{1}{2}$ " x 72"	1	3
9	Ground Anchor	14"	1	4
10	Hardware Bag (Includes):		1	1
	▪ Top End Cap	4"		4
	▪ Post Cap	2" square		4
	▪ End Cap	$\frac{7}{8}$ " x 1 $\frac{1}{2}$ "		6
	▪ Painted Screw	$\frac{3}{4}$ "		24
	▪ Self-Tapping Screw	1" (#8)		8
	▪ Super Glue	Tube		1

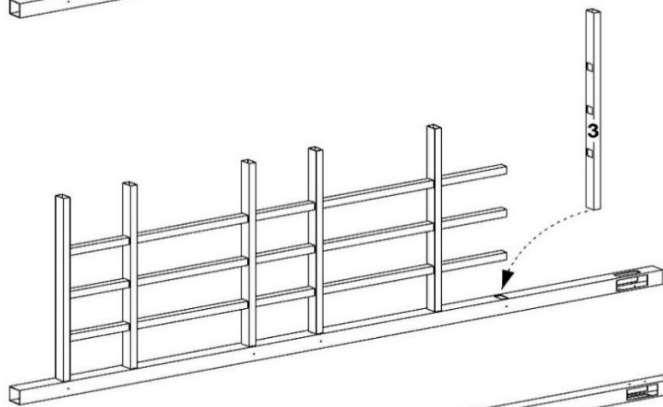




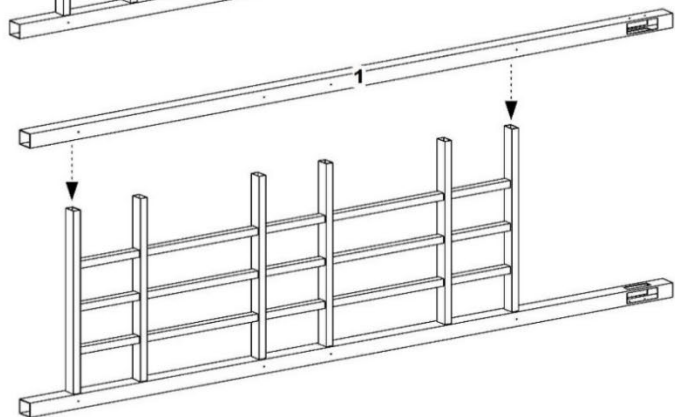
**1** Lay out one right post (part 2). Starting at bottom, insert one top/bottom cross rail (part 3) and four center cross rails (part 4).



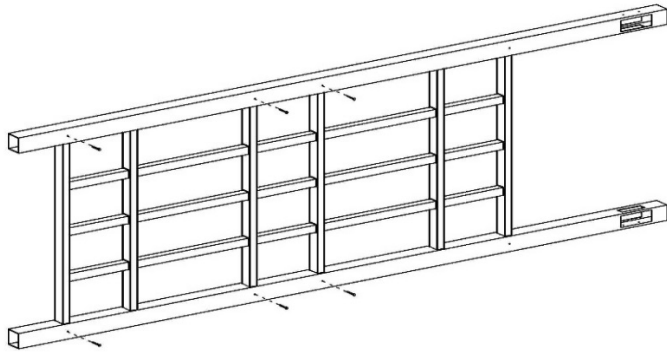
**2** Insert three vertical rails (part 5) through center rails and into bottom rail.



**3** Insert second top/bottom rail (part 3) into post and slide vertical rails into top rail.



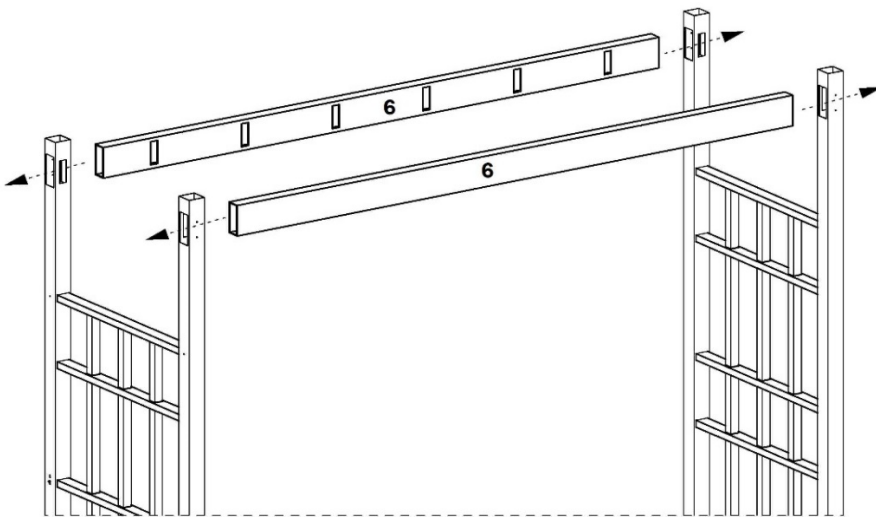
**4** Slide one left post (part 1) over corresponding cross rails.



**5**

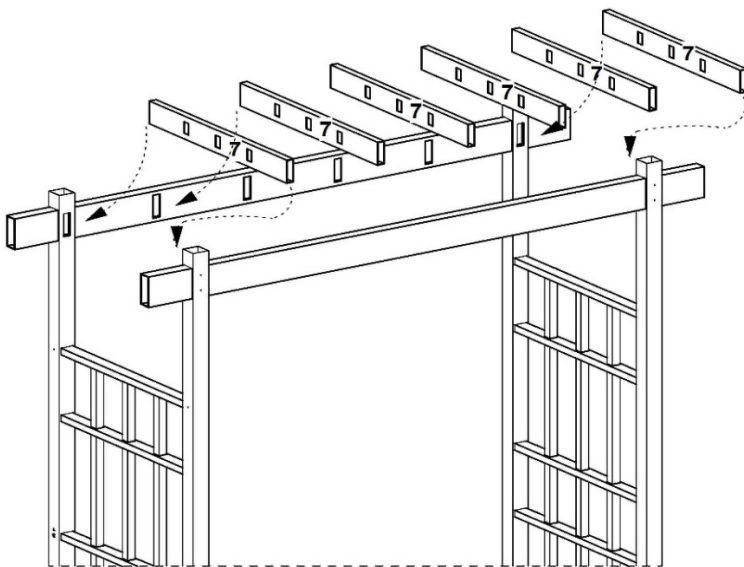
Using  $\frac{3}{4}$ " screws, screw together BOTTOM 3 spots of arbor panel. DO NOT screw together top spot of each post. Be sure that all parts are fully inserted into posts before securing.

REPEAT steps 1-5 to complete the other side panel.



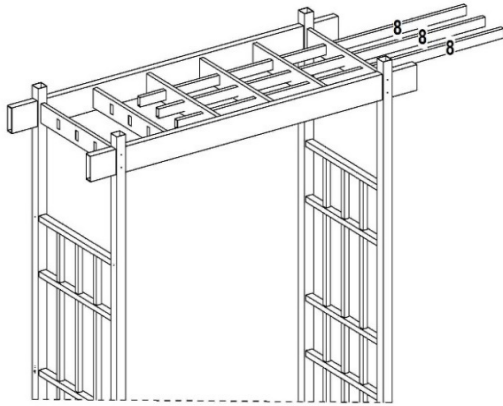
**6**

Insert ends of arbor top rails (part 6) through holes at top of each post of arbor panels. (Inside panel to inside panel is 57")

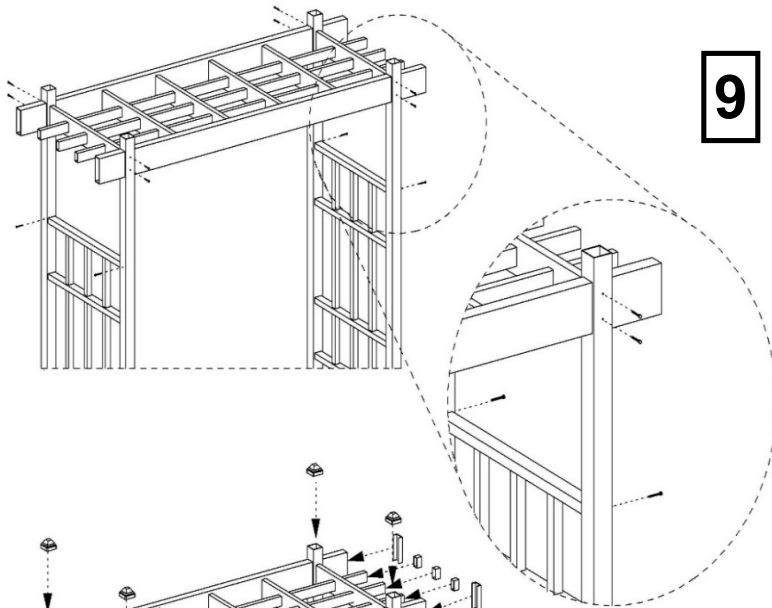


**7**

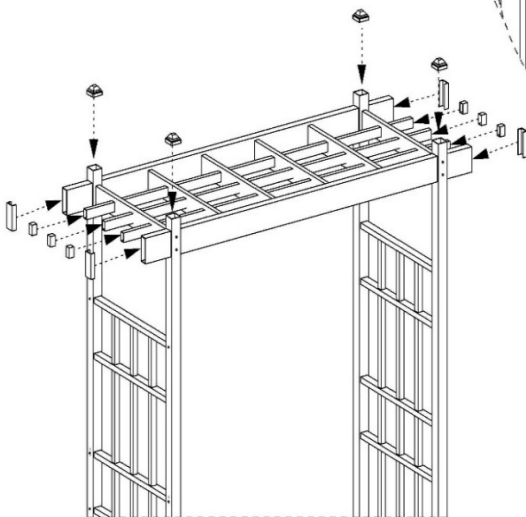
Separate tops of arbor panels just enough to insert six top cross rails (part 7) into arbor top rails.



**8** Slide three overhead rails (part 8) through holes each top cross rail. Overhead rails should stick out equally on both sides.

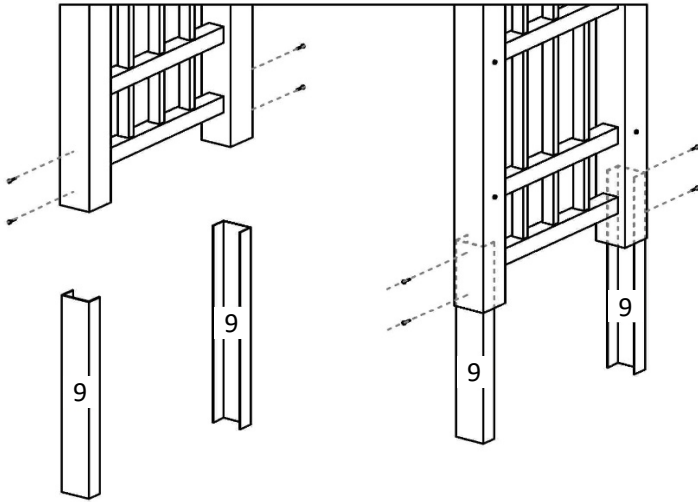


**9** Using remaining  $\frac{3}{4}$ " screws, screw remaining arbor panel spots and screw arbor panels to arbor top rails.



**10** Using super glue tube, glue four arbor top end caps onto ends of arbor top rails. Glue 2" sq. post caps onto posts. Glue  $\frac{7}{8}$  x 1 $\frac{1}{2}$ " caps onto ends of overhead rails.

# Ground Anchor Installation

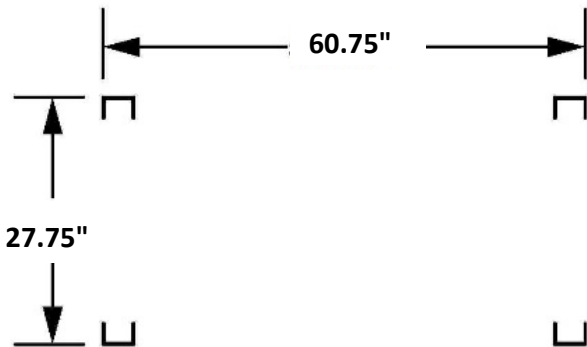


## Option 1 (soft ground)

Slide one ground anchor (part 10) 4" into bottom of each post. Using two 1" self-tapping screws per post, screw the post to ground anchor using the pilot holes for guides.

Using ground anchor installation layout drawing, dig holes approximately 10" deep. Set arbor in holes and level. Back fill with soil removed from holes.

## Ground Anchor Installation Layout



## Option 2 (permanent installation)

**NOTE: There is very little room for error with this installation method.**

Using ground anchor installation layout drawing, dig holes 10" deep according to dimensions. Fill with cement and place ground anchors in wet cement. Be sure that ground anchors are straight and in accordance with dimension of ground anchor installation layout drawing. Allow cement to dry.

**Slide arbor over ground anchors. Using two 1" self-tapping screws, fasten post to ground anchor.**

# Warranty Statement

## 20 Year Guarantee

***Please call manufacturer direct with questions concerning missing or defective parts at Toll Free: 877-258-6020.***

Dura-trel, Inc. products are warranted to be free from manufacturing defects resulting in delaminating, peeling, flaking, corroding, cracking, crazing, or extreme amounts of fading or bleaching causing the PVC to change to its natural color for a period of 20 years from the date of purchase.

*Normal weathering is defined as exposure to sunlight and extremes of weather and atmosphere which will cause any colored surface to gradually fade.*

### **CONDITIONS NOT COVERED BY THIS WARRANTY:**

- A. Physical abuse, misuse, neglect, or improper storage.
- B. Improper installation or installation not in strict adherence to the instructions written by Dura-Trel, Inc.
- C. This warranty does not apply if materials are painted, varnished, or coated with any substance.
- D. Dura-Trel, Inc. is not responsible for damages to product during shipping.
- E. Damage attributable to atmospheric pollutants, hail, lightning, hurricane, tornado, wind borne objects, earthquake, fire, mildew, casualty, act of God, building or ground settlement, or subsection to stress or weight.

### **CLAIMS AND REMEDIES:**

If a Dura-Trel, Inc. product is determined to have a manufacturing defect which is covered by this warranty, Dura-Trel, Inc. will replace the material containing the defect (labor not included) F.O.B from the point of manufacture. Dura-trel, Inc. will not be responsible for any cost incurred in the removal or reinstallation of the product.

**Important:** All claims must be sent to the following address and should describe the defect claim.

**Dura-Trel, Inc., P.O. Box 122, Sheboygan Falls, WI 53085**

Dura-Trel, Inc. reserves the right to discontinue or change its design and/or color. If the original color or style is not available, Dura-Trel, Inc. shall have the right to substitute a product designated by Dura-Trel, Inc.

Dura-Trel, Inc. shall not be liable for any incidental, special, or consequential damages arising out of the use of these products.