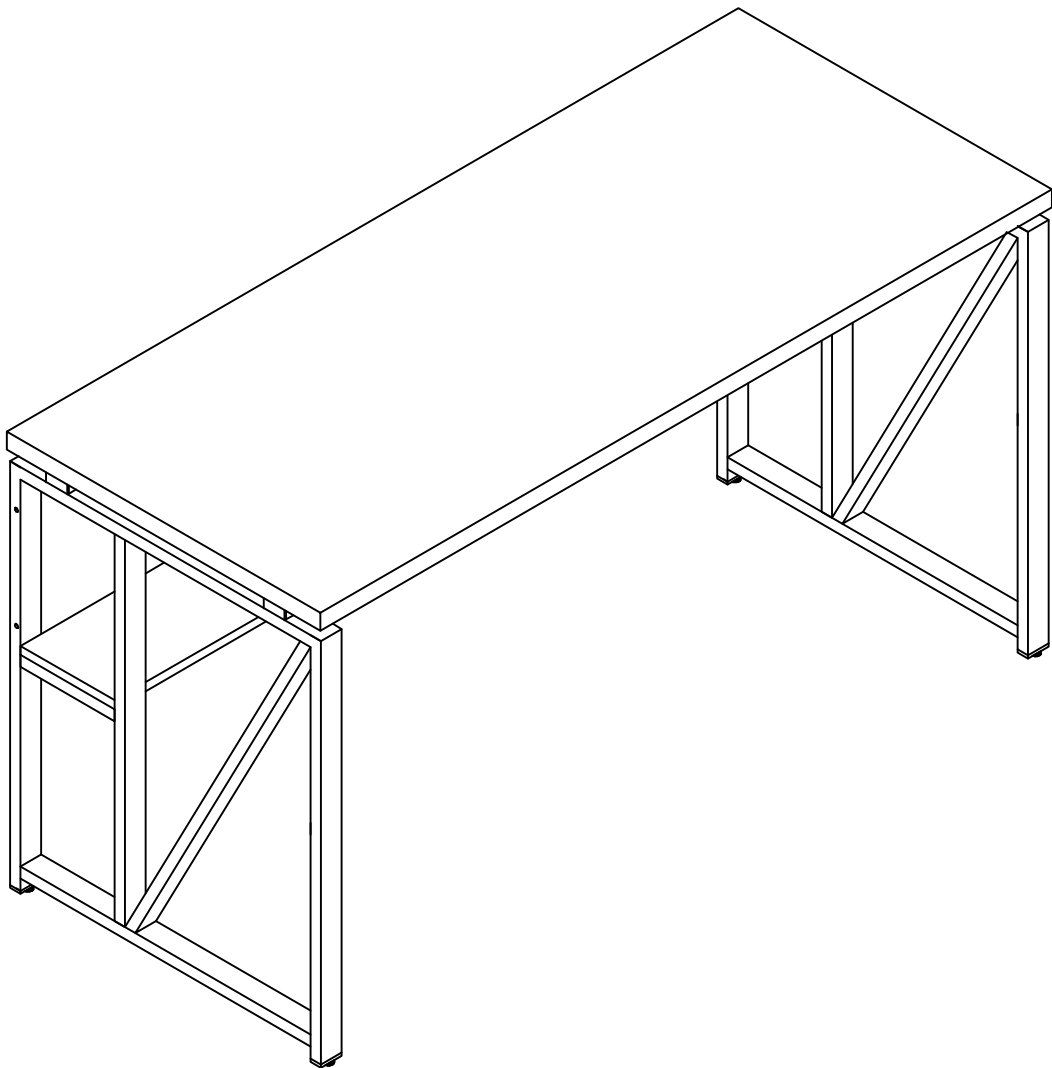


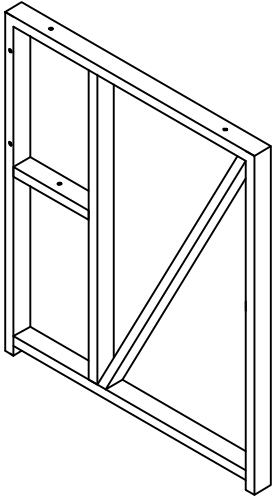
Installation instructions

HOGA-F1442



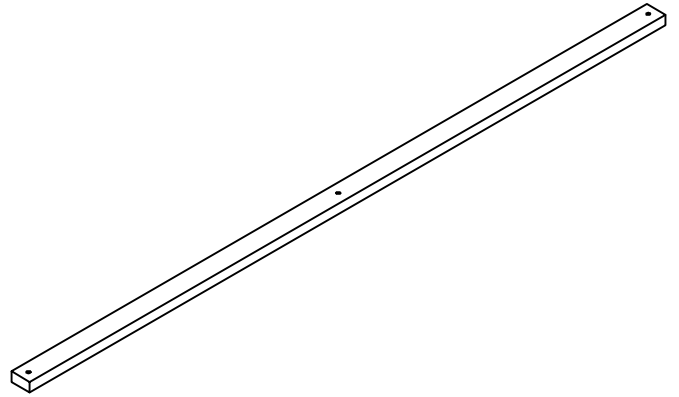
Accessories show

①



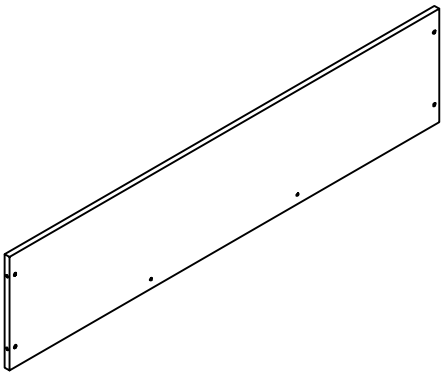
x2

②



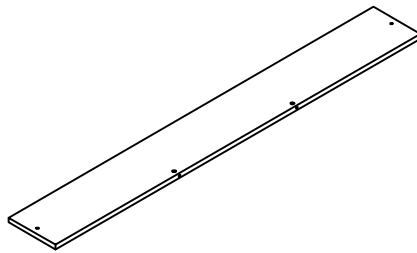
x2

③



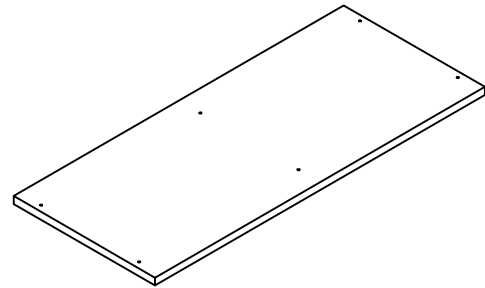
x1

④



x1

⑤



x1



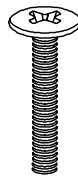
w-1
2pcs



w-2
2pcs



w-3
4pcs
6*70



w-4
4pcs
6*50



w-5
4pcs
6*30



w-6
4pcs
20*40



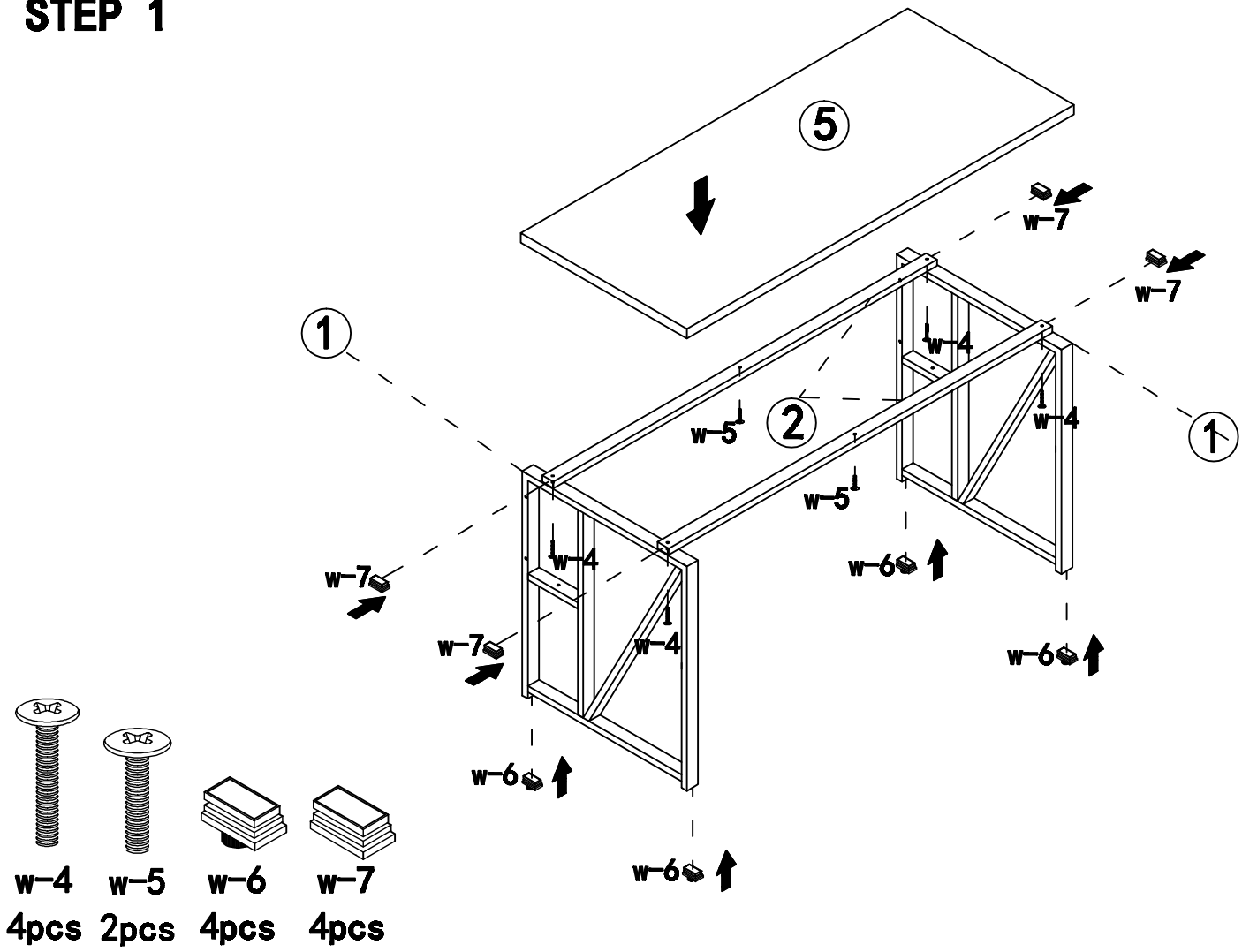
w-7
4pcs
20*40

NOTES: Don't tighten screws completely at first, just in case parts were assembled wrong and need disassembled. Tighten screws at last when all parts are put together.

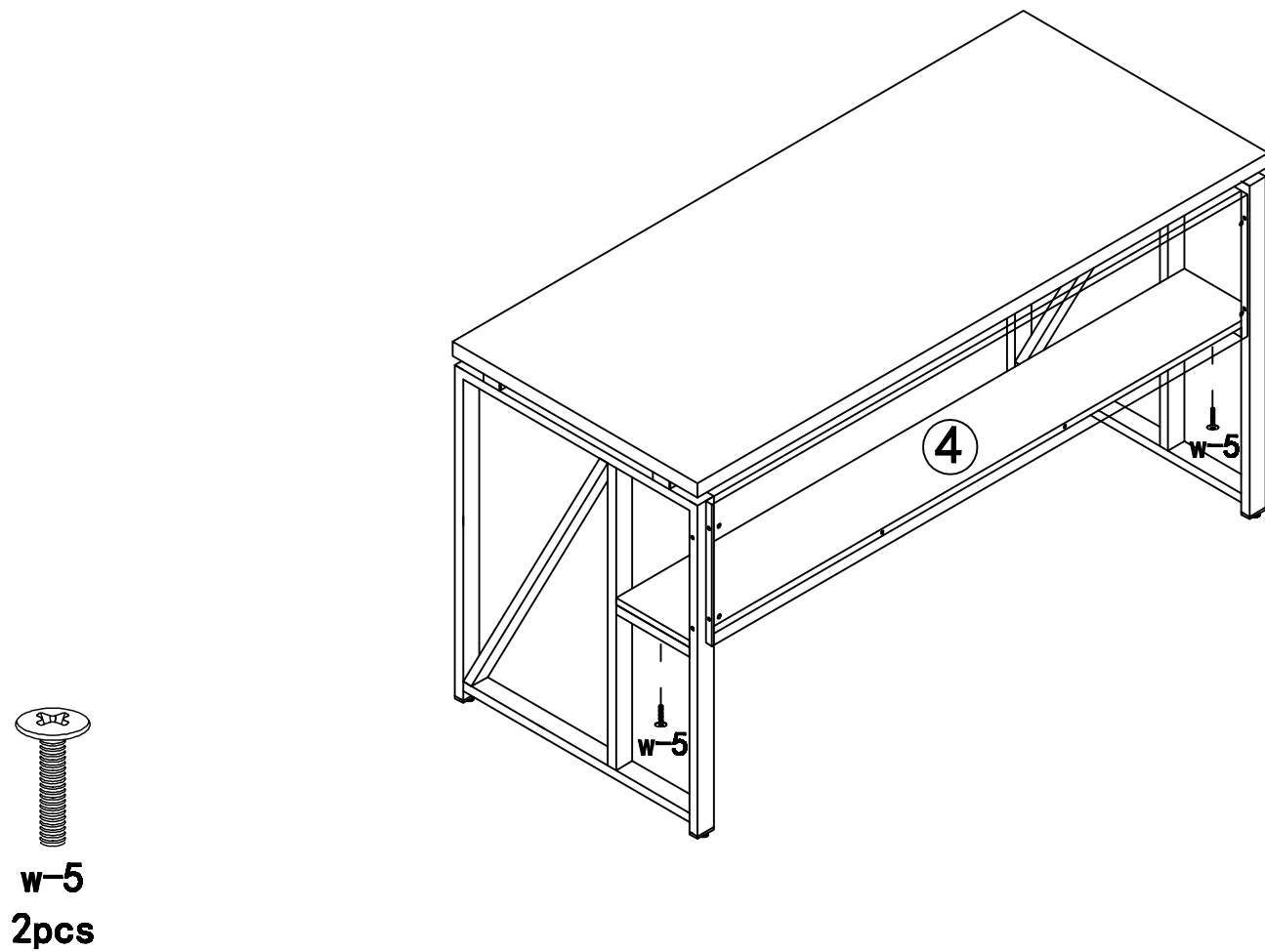
www.tribesigns.com

Email: support@tribesigns.com

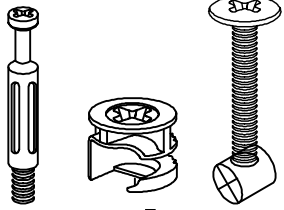
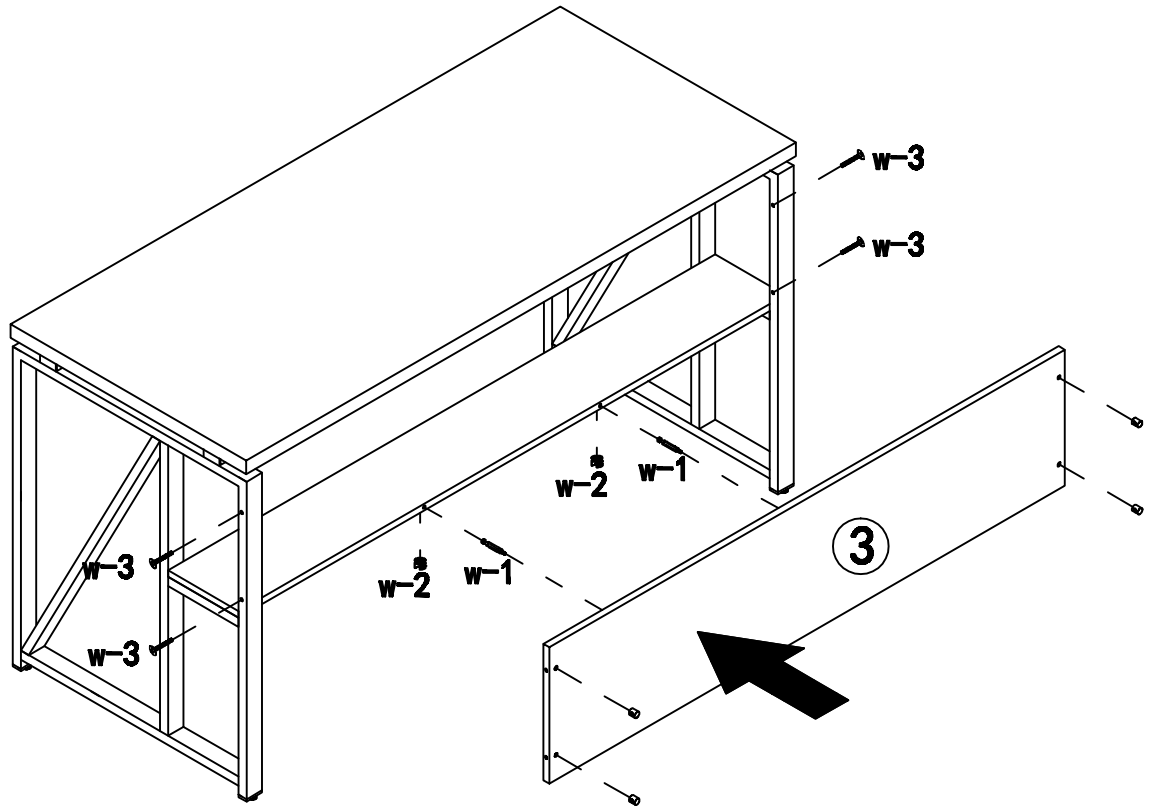
STEP 1



STEP 2

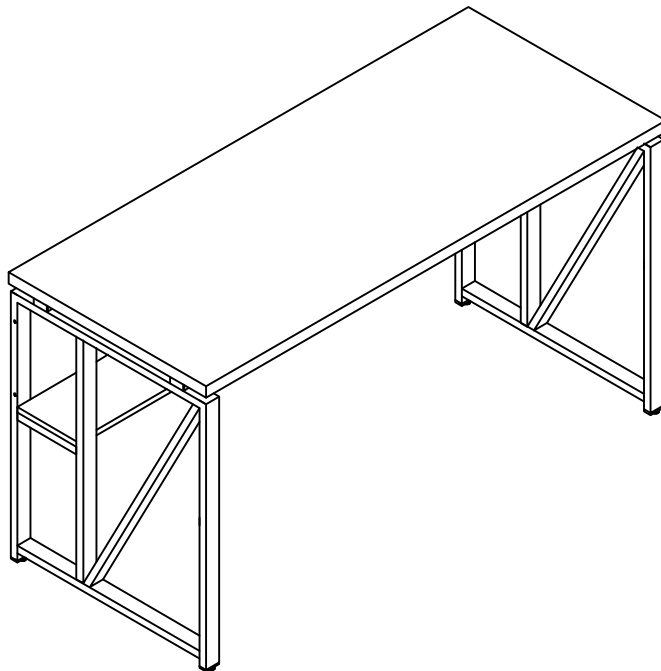


STEP 3



w-1 w-2 w-3
2pcs 2pcs 4pcs

STEP 4



complete

Thanks for choosing Tribesigns product your satisfaction is our priority If you have any damages caused by shipping feel free to contact us at "support@tribesigns.com" our friendly customer service will solve problem for you.