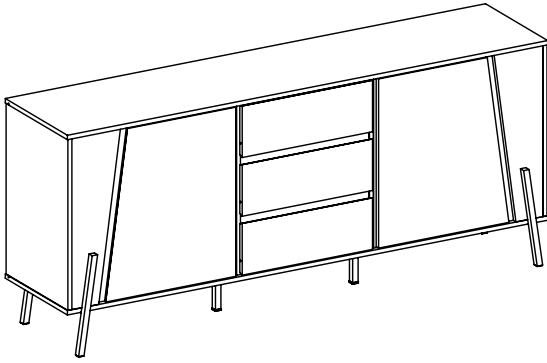


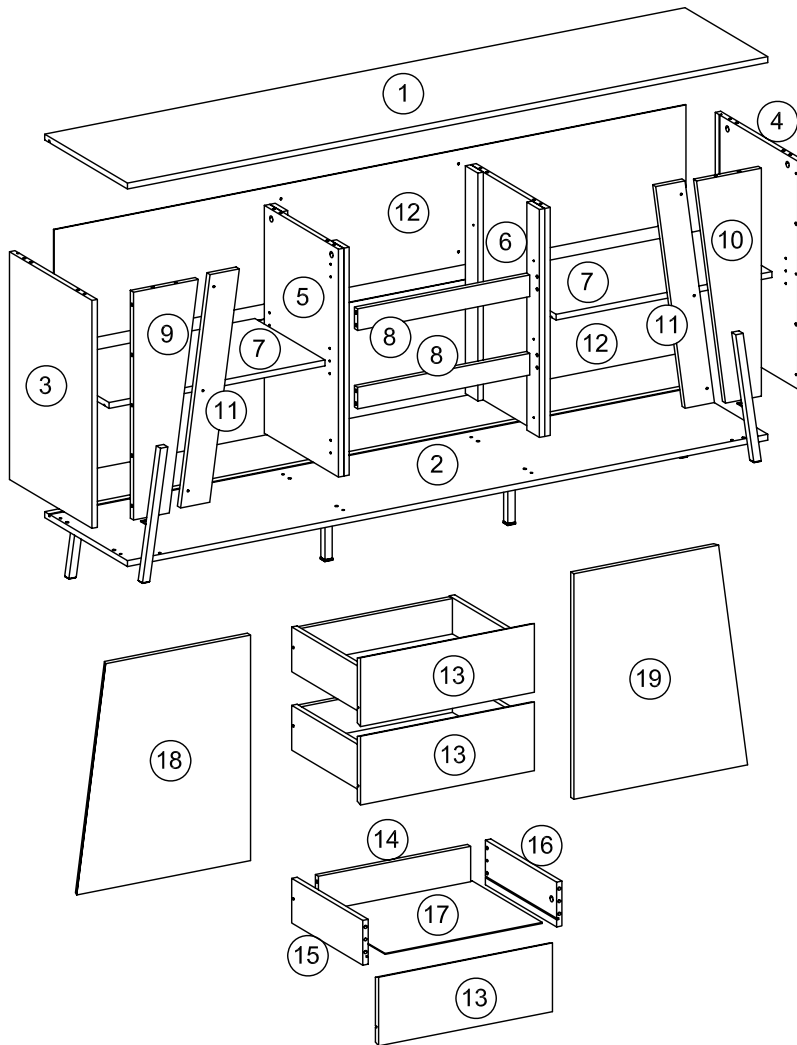
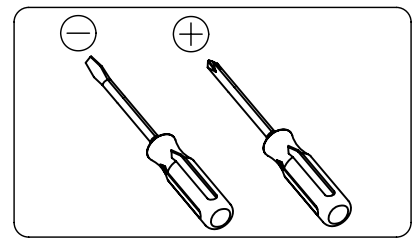
SIDEBOARD



90 min






x2



A 22X 	B 22X 	C 22X 	D 56X 	E 16X 10 x 33.5 mm	F 26X 4 x 10 mm	G 1 SET 	H 4X 6 x 25 mm	I 3 SET 	J 12X 6 x 13 mm		
K 12X 6 x 8 mm	L 2X 	M 2X 	N 4 SET 	O 6X 4 x 12 mm	P 8X 	Q 18X 	R 18X 4 x 19 mm	S 2X 	T 2X 		
U 2X 8 x 38 mm	V 1X 	W 6X 10 x 25 mm									

1

A  4x	B  16x	D  8x
---	--	---

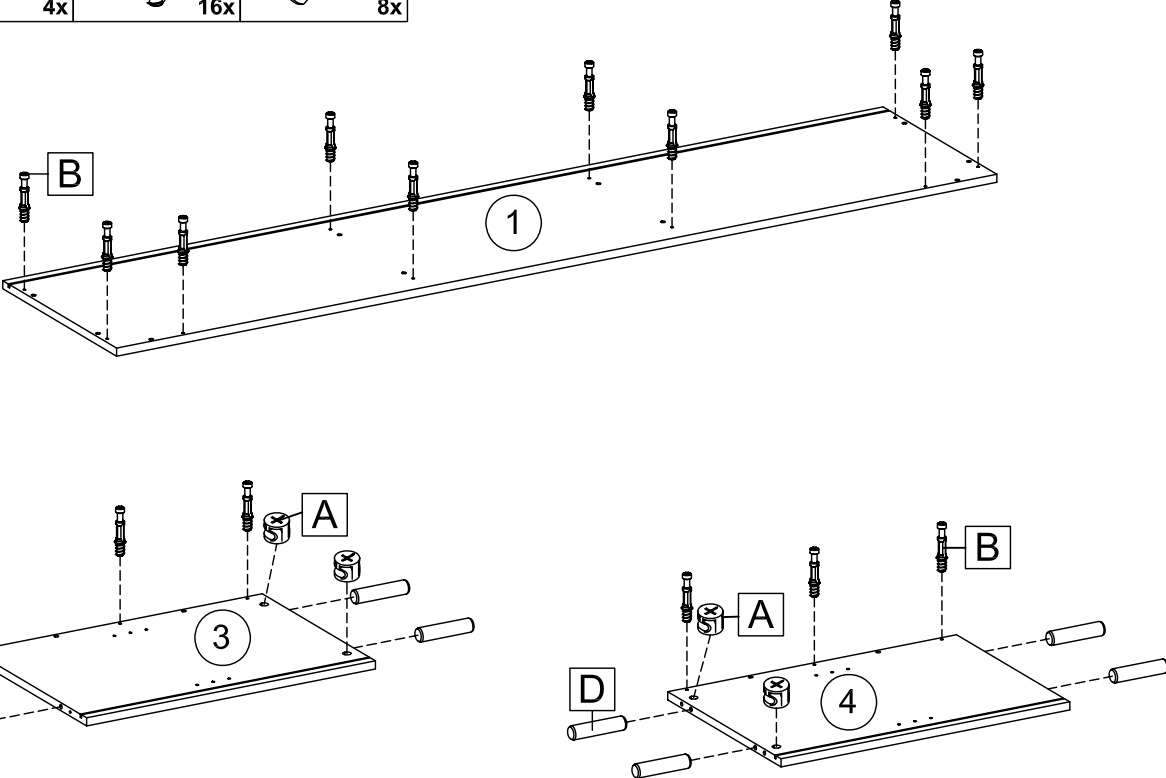


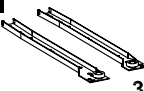



Diagram 1: A long rectangular board (1) is shown with 16 screws (B) being inserted into pre-drilled holes along its length. Below it, a shorter board (3) is shown with 4 brackets (A) being attached to its top surface using screws (B). Brackets (D) are also shown being attached to the sides of board (3) using screws (B).

2

A  4x	D  8x	I  3x	K  12x
---	---	---	--

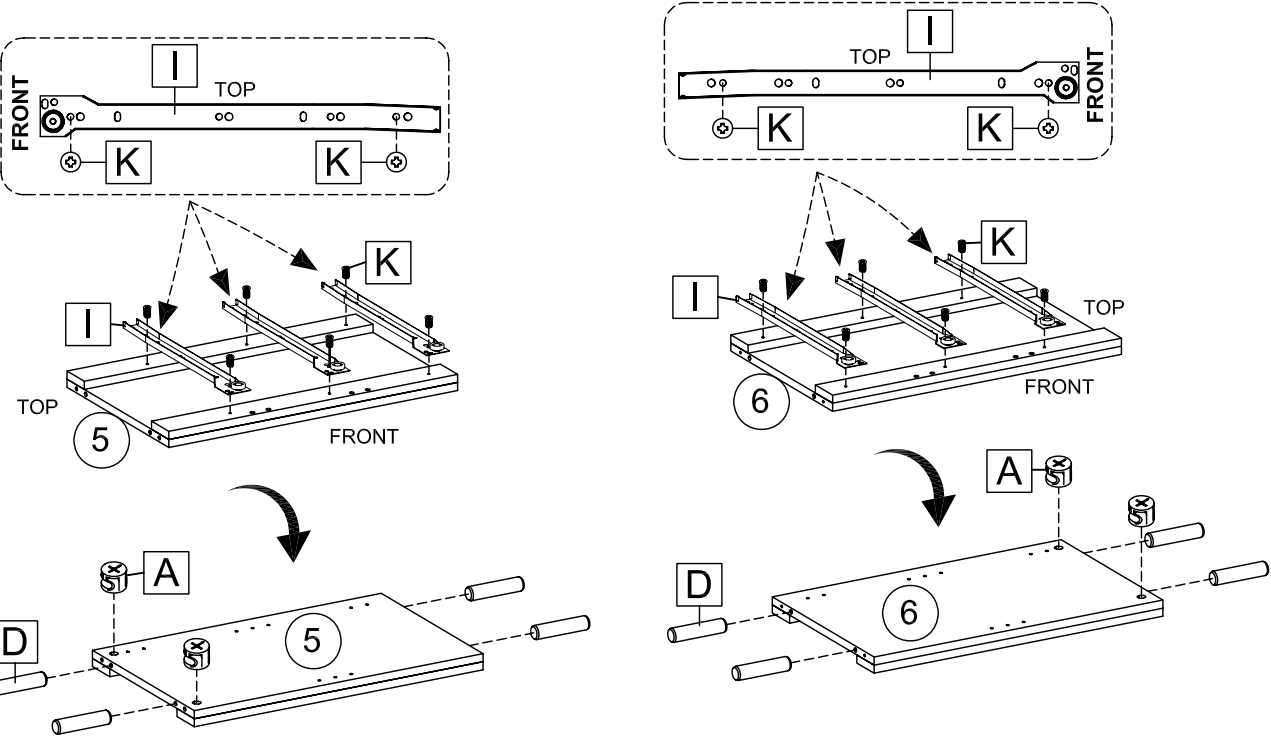
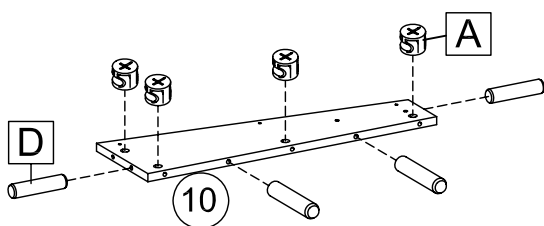
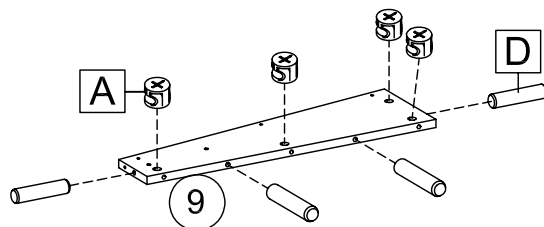
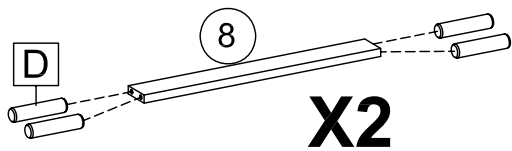
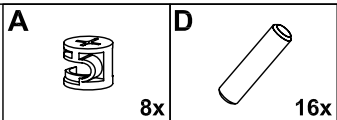
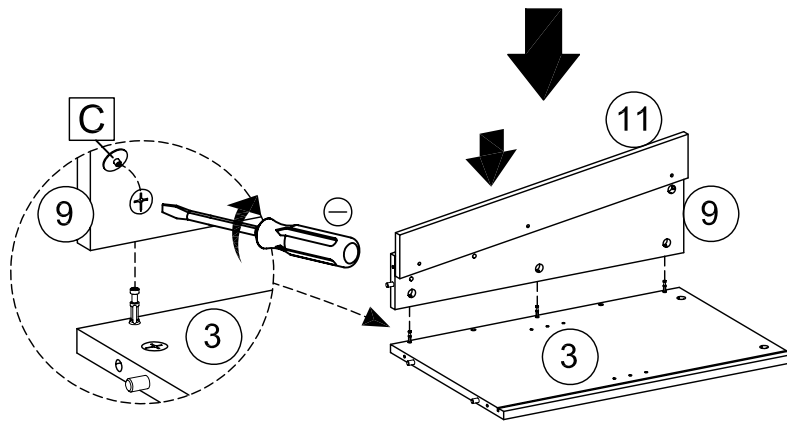
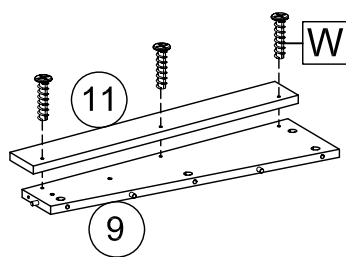
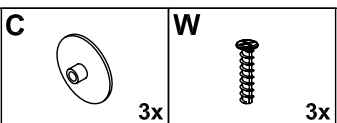


Diagram 2: A board (5) is shown with 3 brackets (I) being attached to its top surface using 12 screws (K). A board (6) is shown with 3 brackets (I) being attached to its top surface using 12 screws (K). Below these, board (5) is shown with 4 brackets (A) being attached to its top surface using screws (A). Board (6) is shown with 8 brackets (D) being attached to its sides using screws (D).

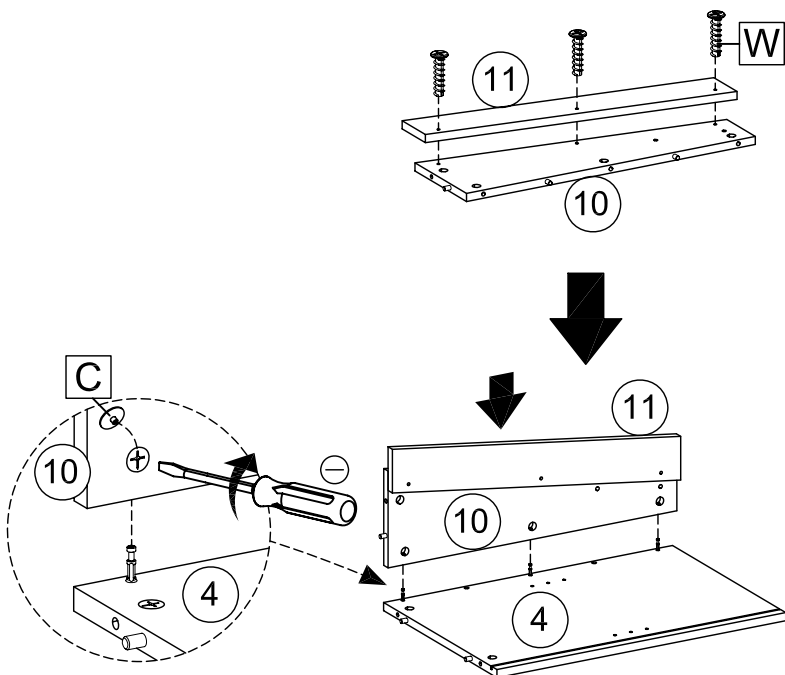
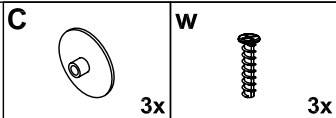
3



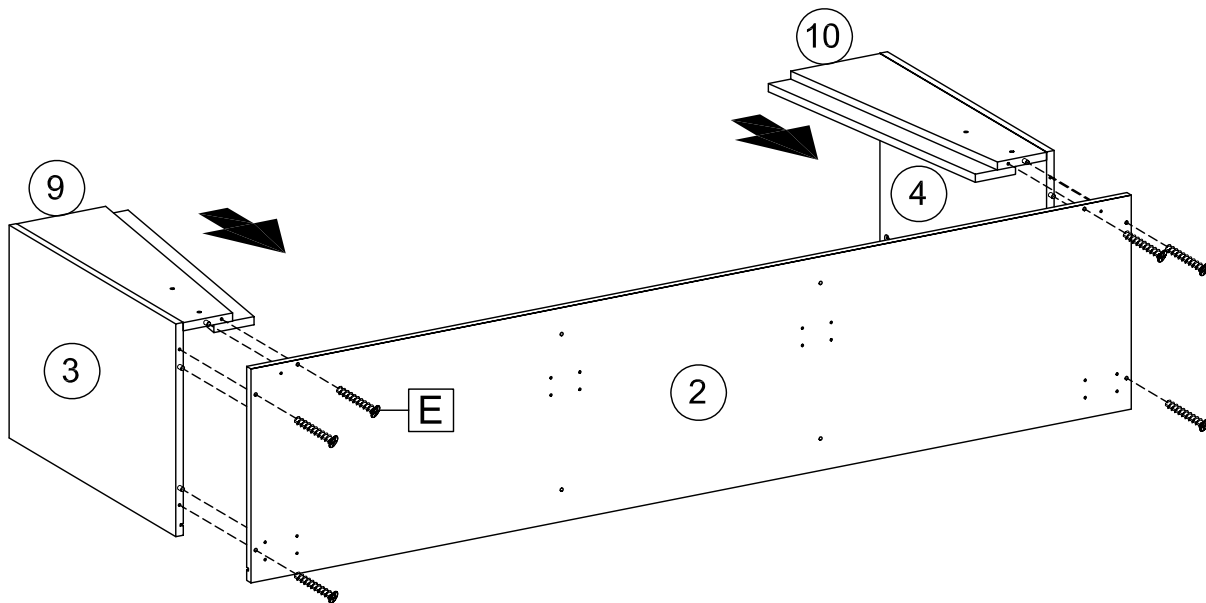
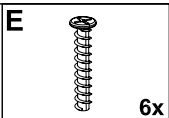
4

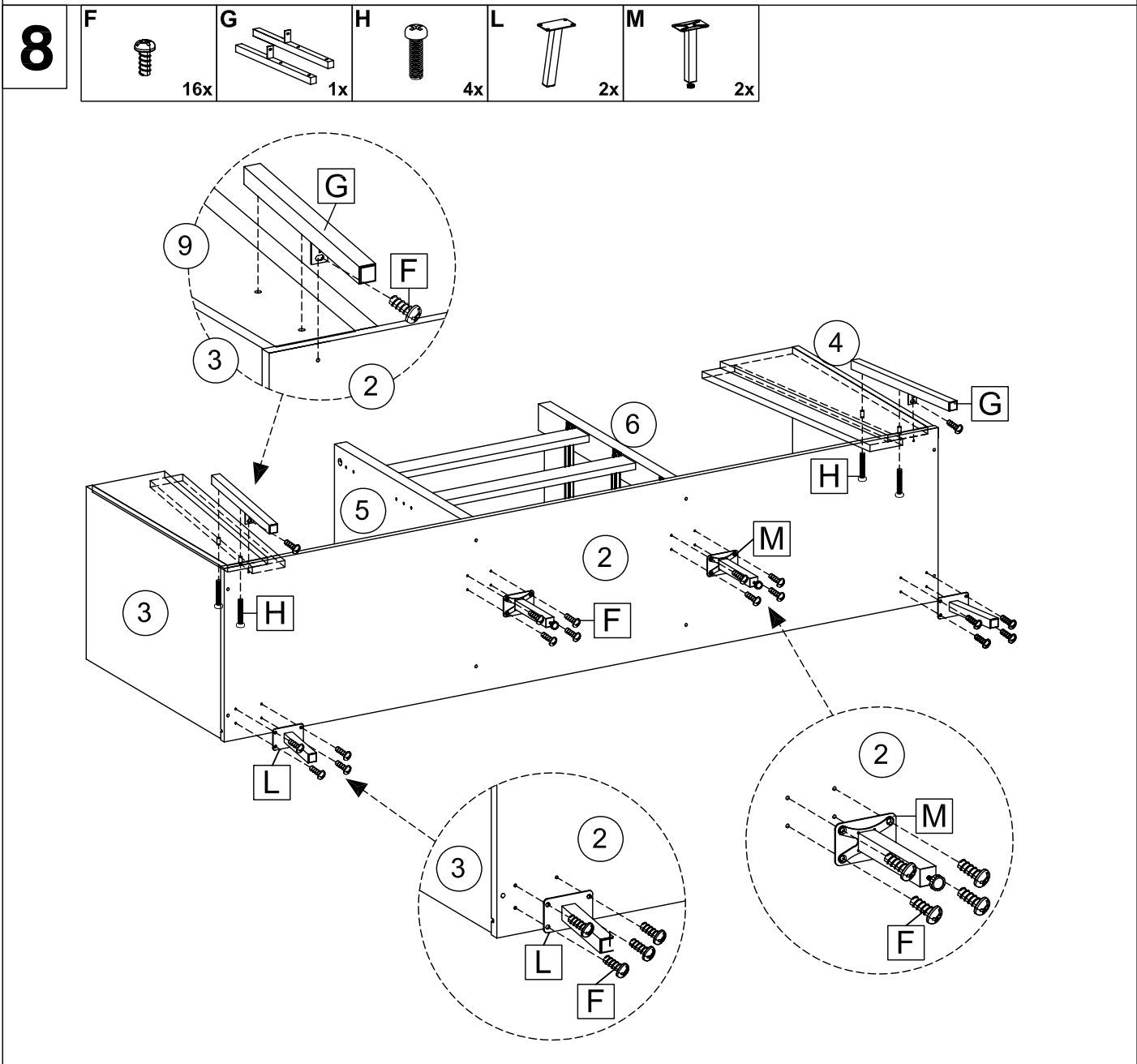
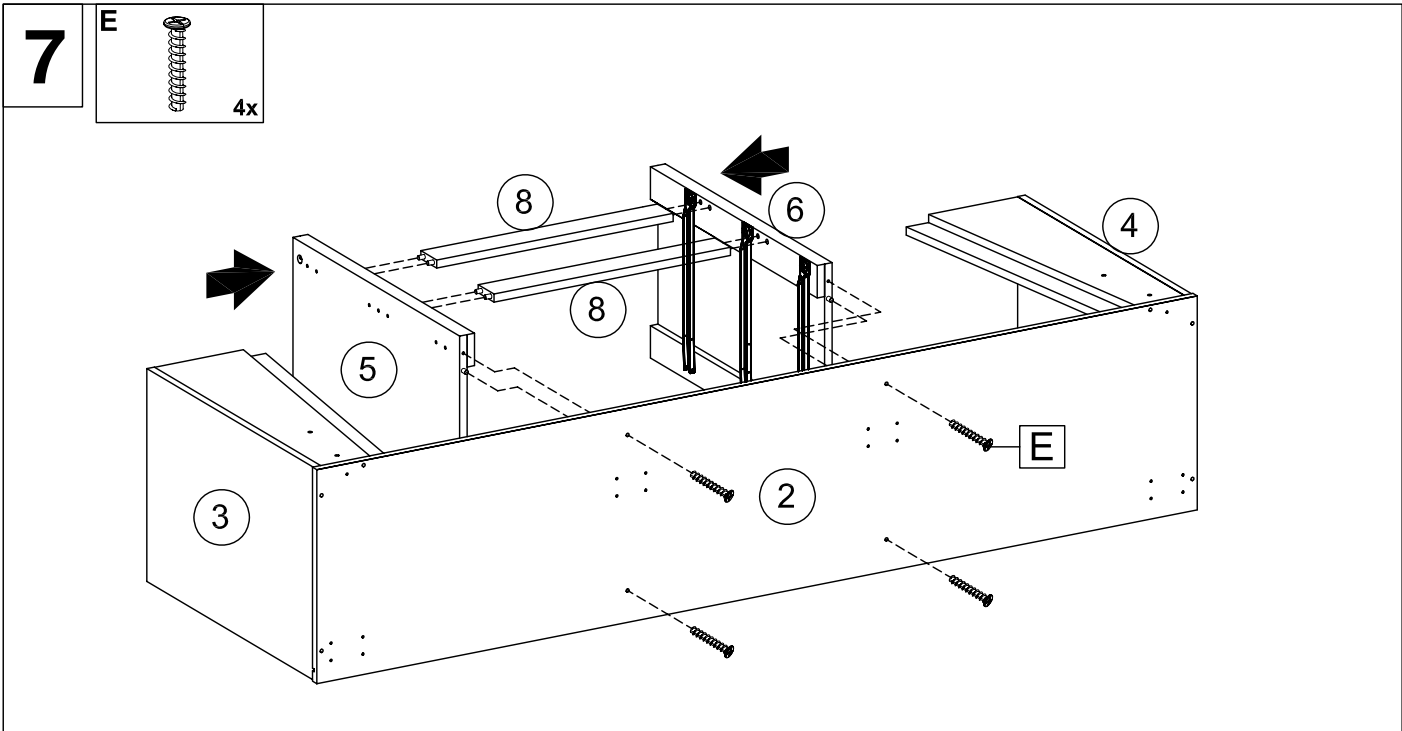


5



6



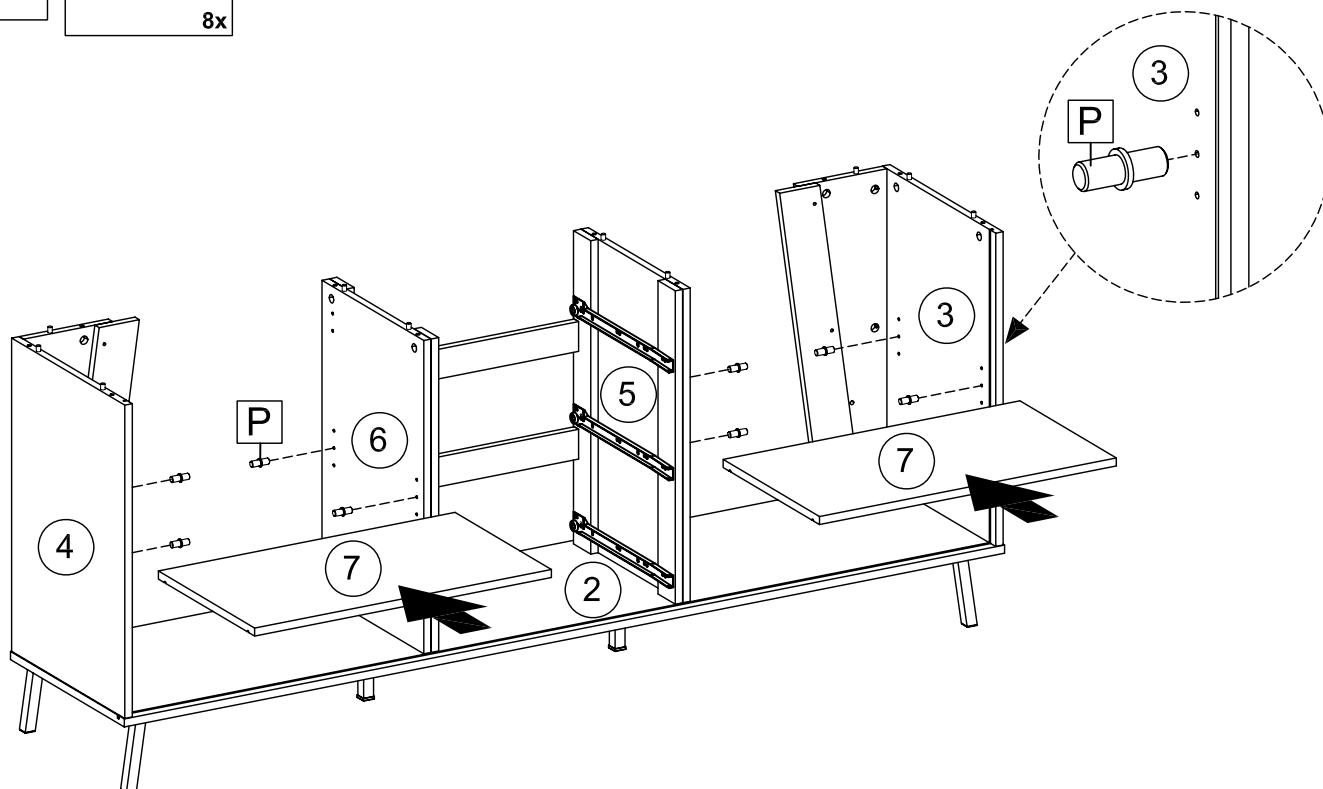


9

P

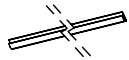


8x

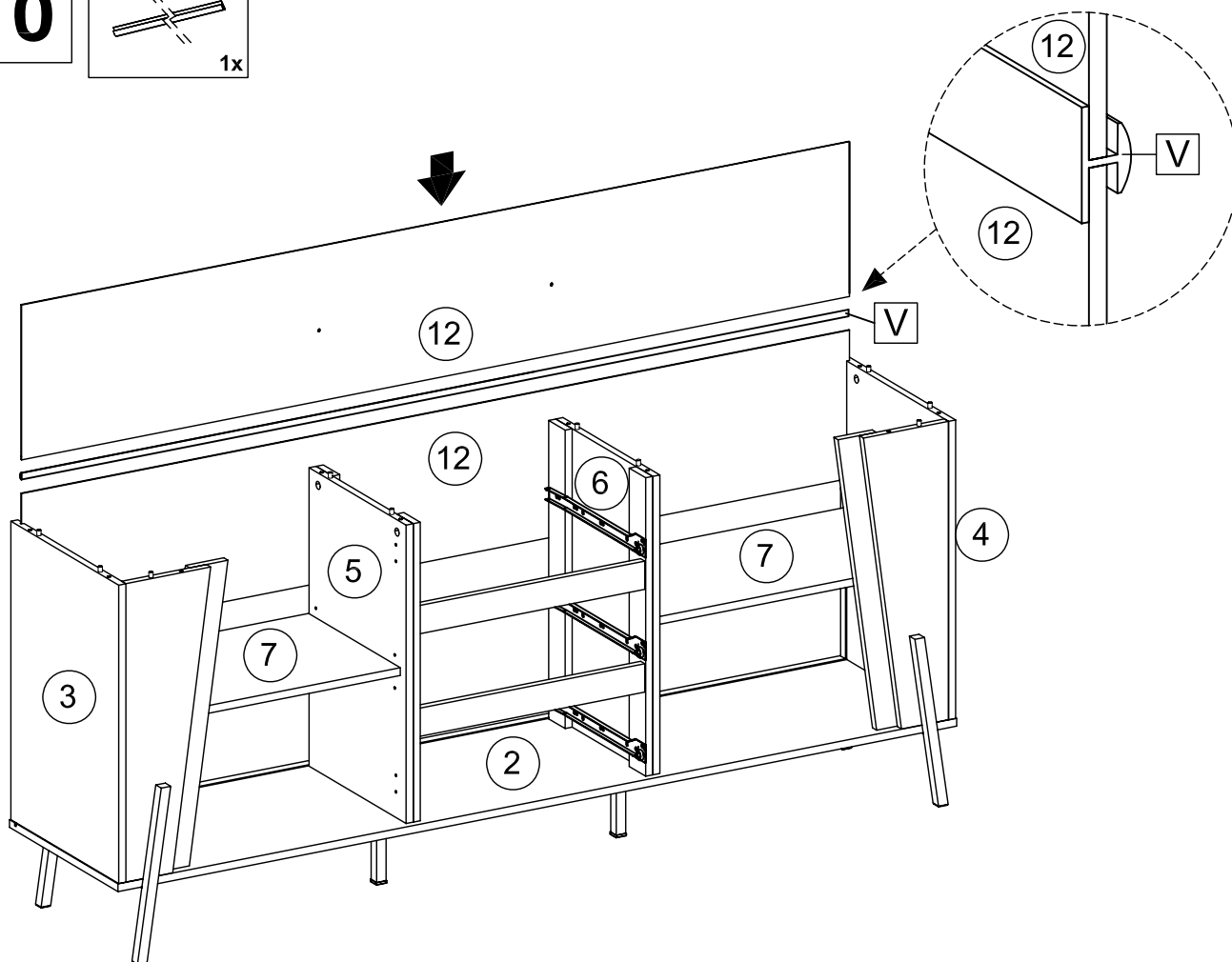


10

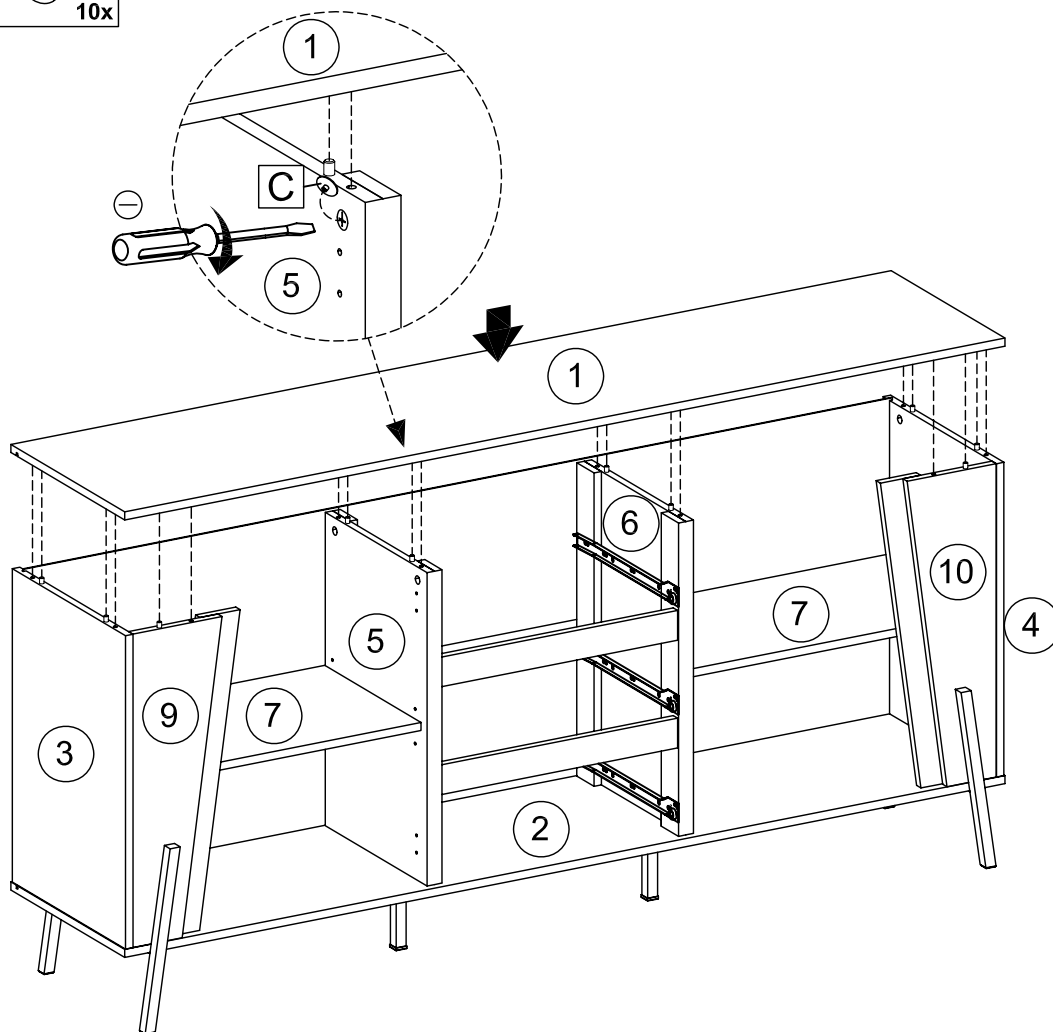
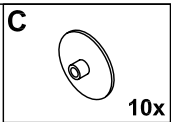
V



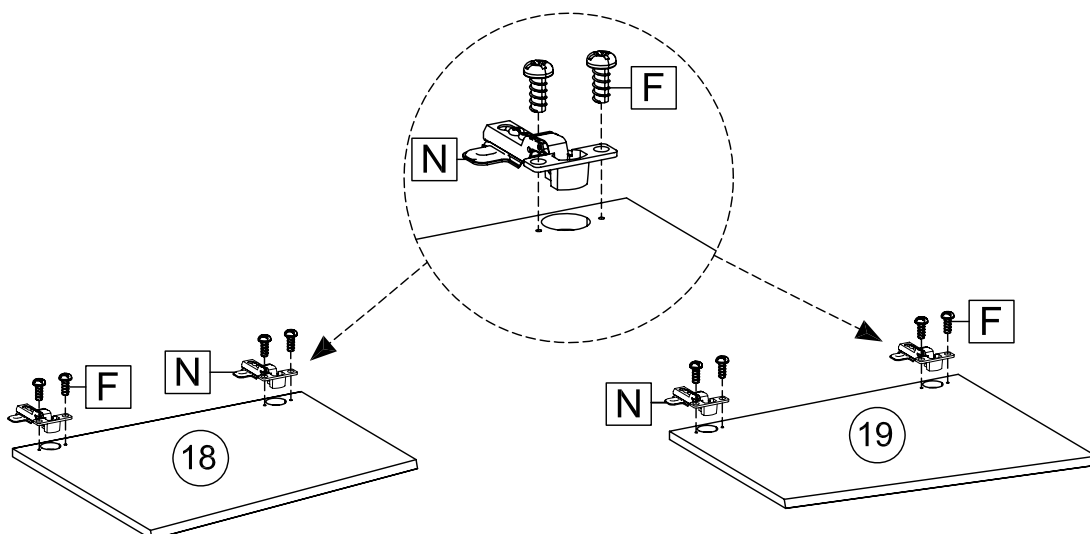
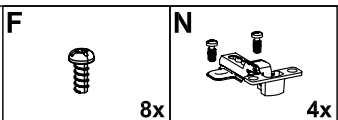
1x



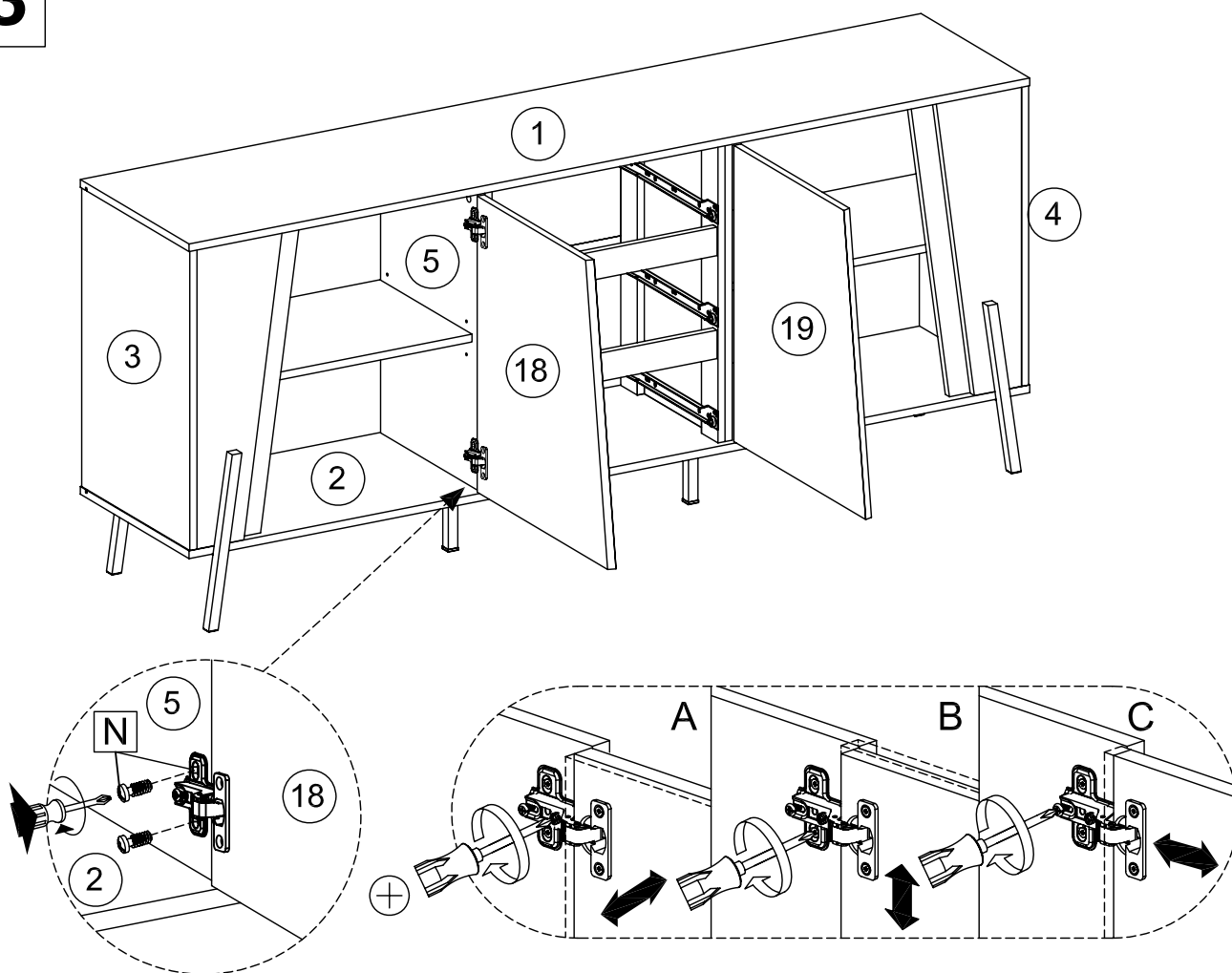
11



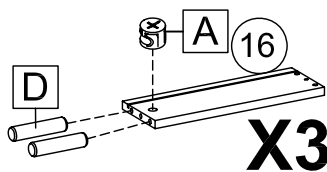
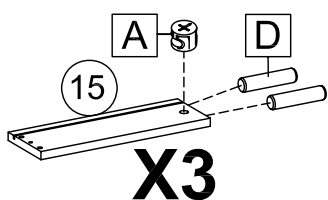
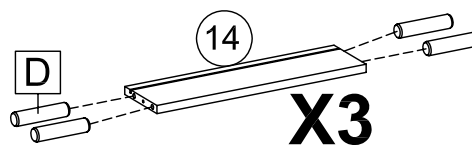
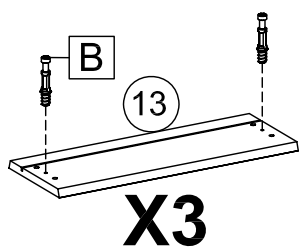
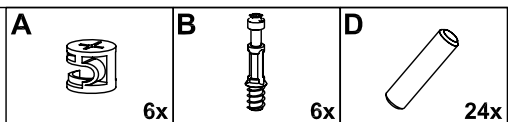
12



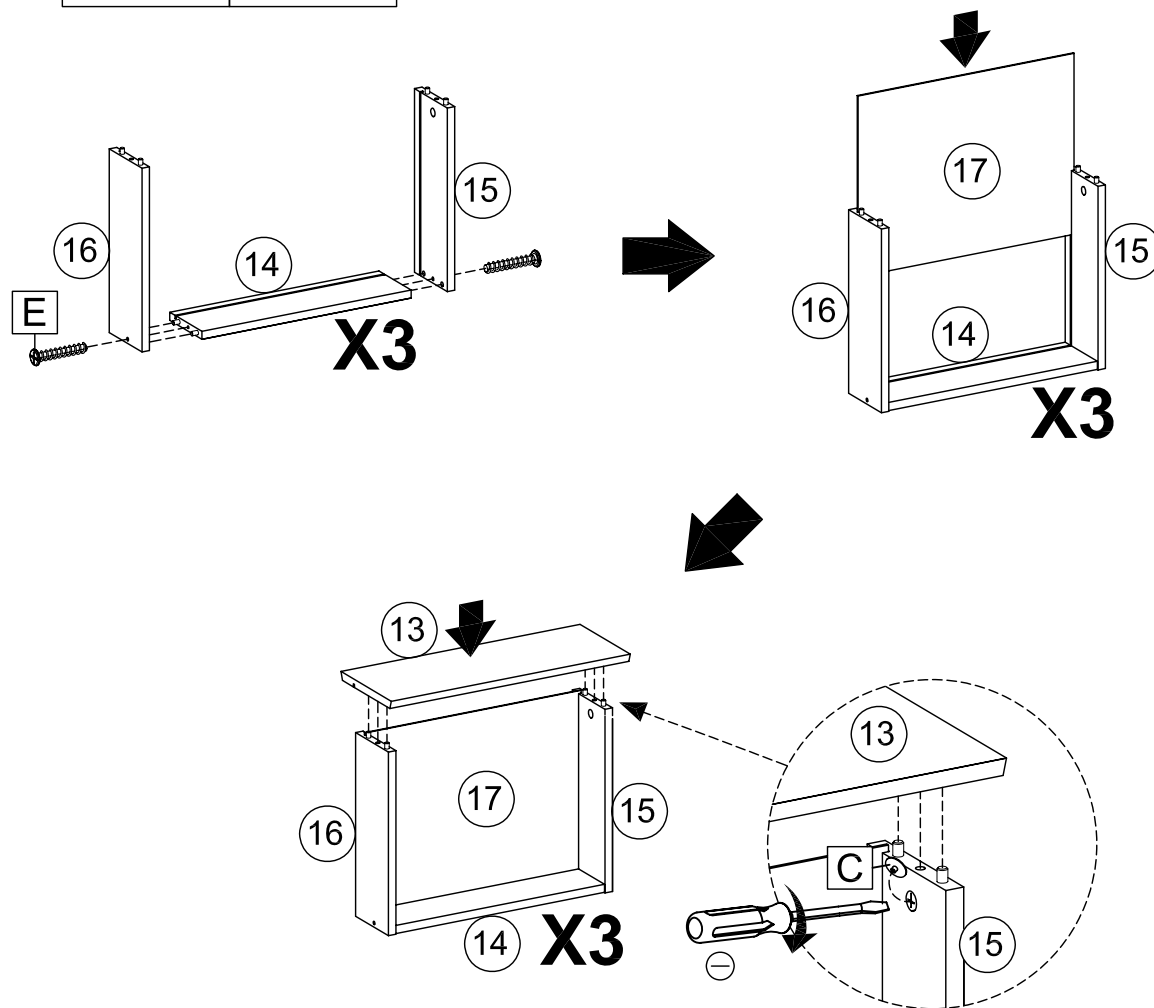
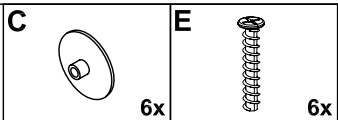
13



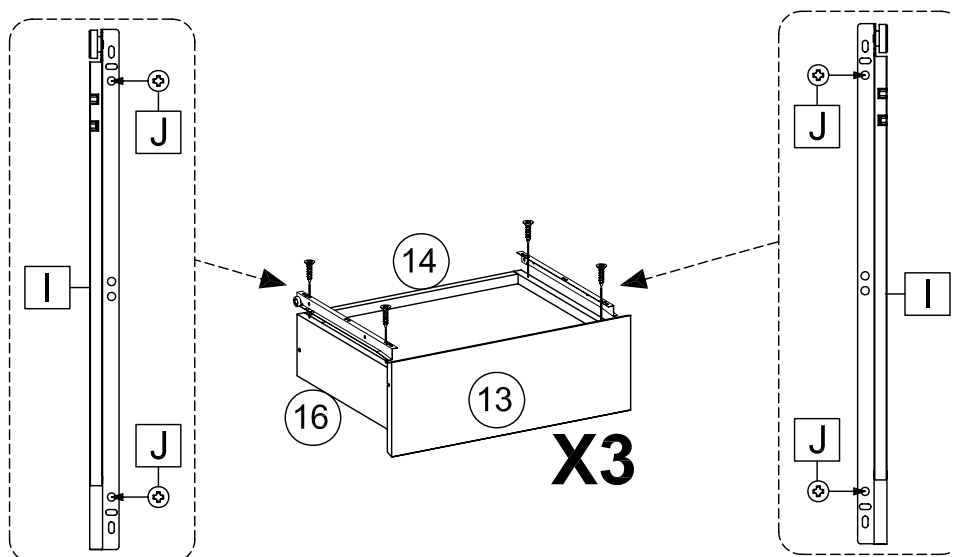
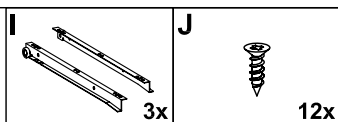
14



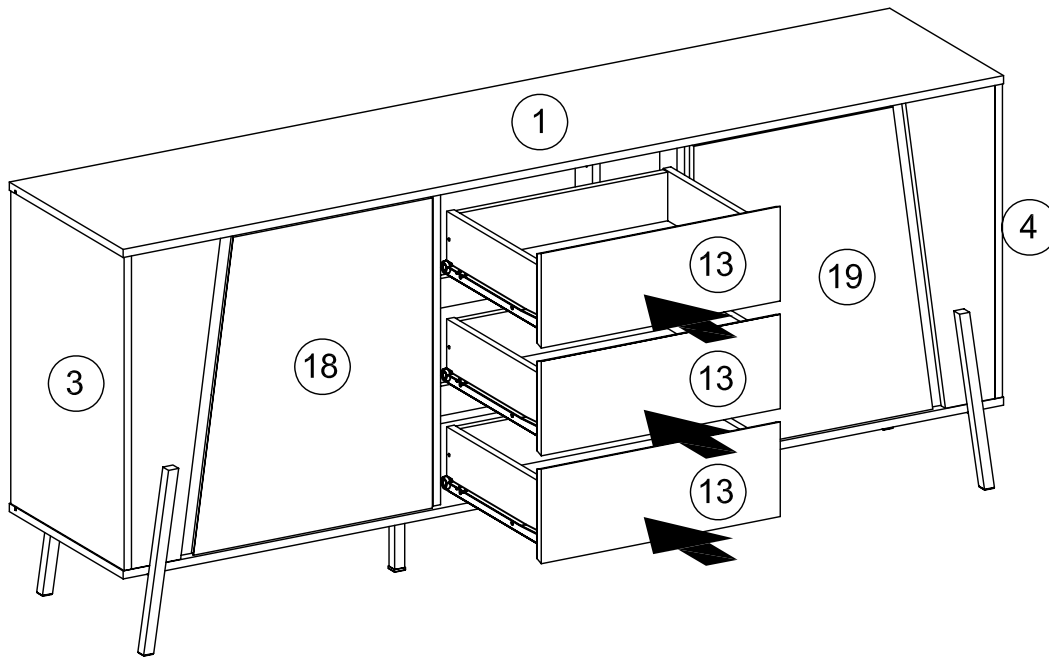
15



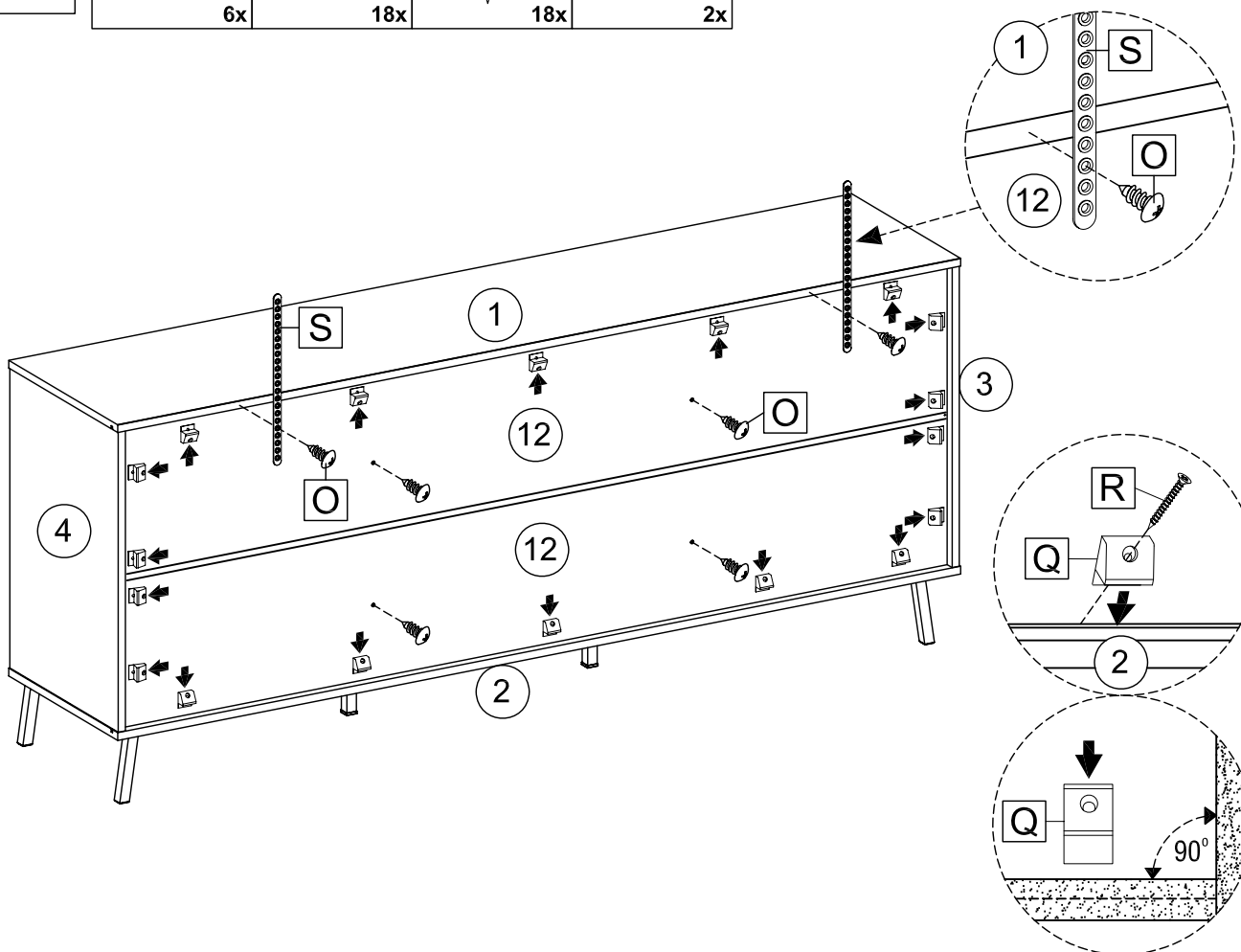
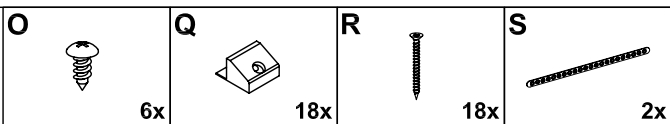
16



17



18



19

