

Robe Hook 3011T

Features

- Solid brass construction
- Complements Frame product series

Codes / Standards Compliance

Meets or exceeds the following at date of manufacture:

- All applicable US Federal and State material regulations



Colors / Finishes

- PC: Polished Chrome
- SN: Satin Nickel

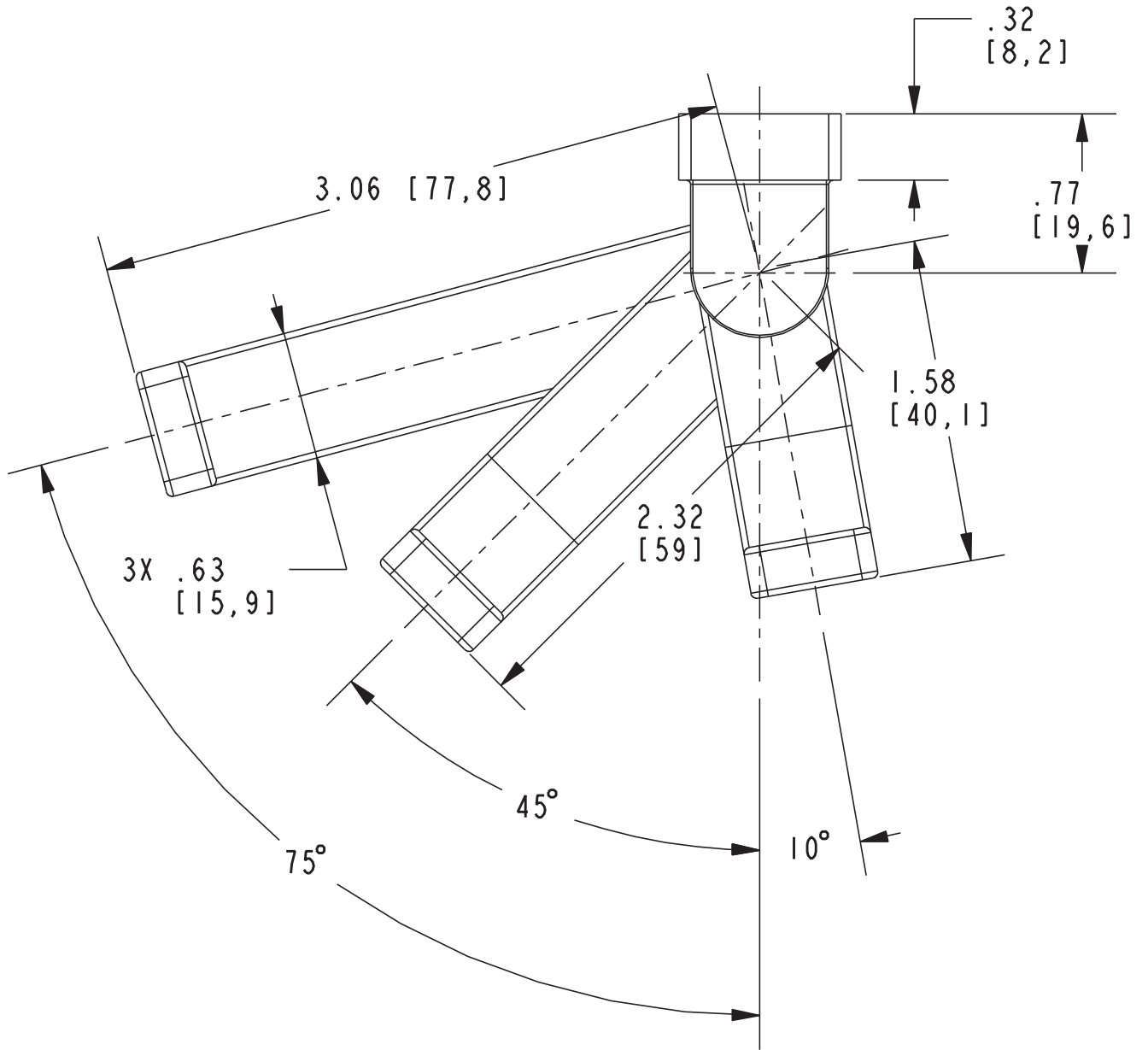
Specified Model

Model	Description	Colors Finishes
3011T	Triple Pivoting Robe Hook	<input type="checkbox"/> PC <input type="checkbox"/> SN

Product Specification: Add "Color / Finish" Suffix to Model Number Below

The Triple Pivoting Robe Hook shall be made of solid brass construction. Triple Pivoting Robe Hook shall complement Ginger Frame product series. Triple Pivoting Robe Hook shall be Model 3011T/____.

3011T



Frame Robe Hook 3011T