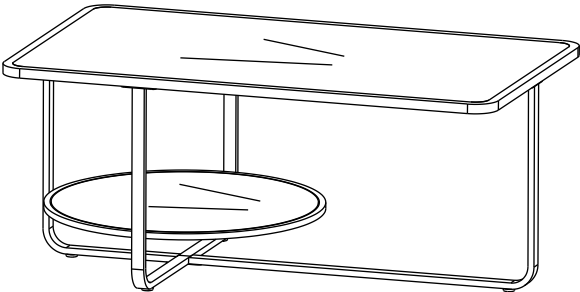
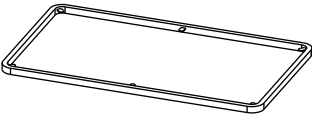


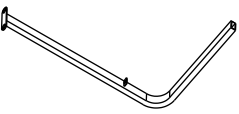
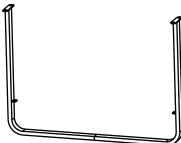


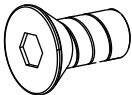
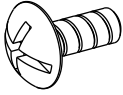
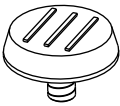

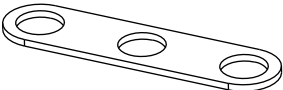
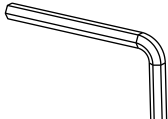


COFFEE TABLE

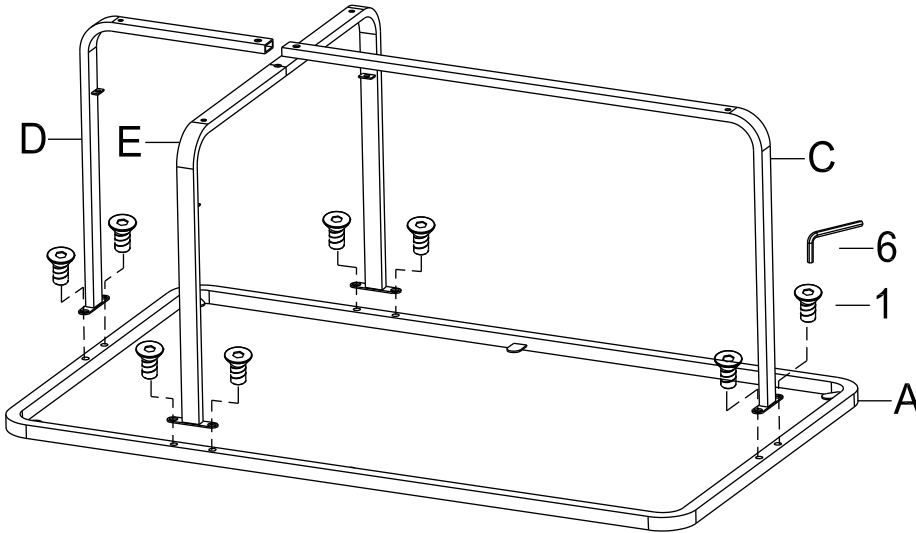


ASSEMBLY INSTRUCTIONS

A  SQUARE FRAME 1PC	B  CIRCLE FRAME 1PC	C  LARGE STRETCHER 1PC
D  SMALL STRETCHER 1PC	E  U-SHAPED STRETCHER 1PC	F  MIRROR SHELF 1PC
G  GLASS TOP 1PC		
1  BOLT 1/4" X 1/2" 11PCS	2  SCREW 3/16" X 1/2" 3PCS	3  LEVELER 4PCS
4  PAD 10PCS	5  METAL SHEET 1PC	6  ALLEN KEY 1PC

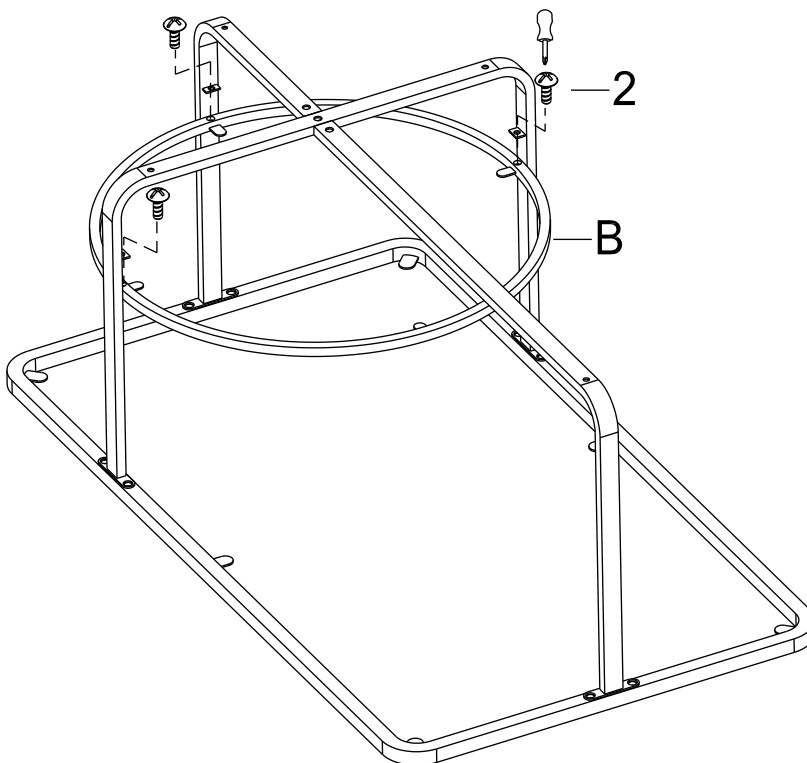
***** Do not tighten screws & bolts until the entire unit is completely assembled. *****

STEP 1



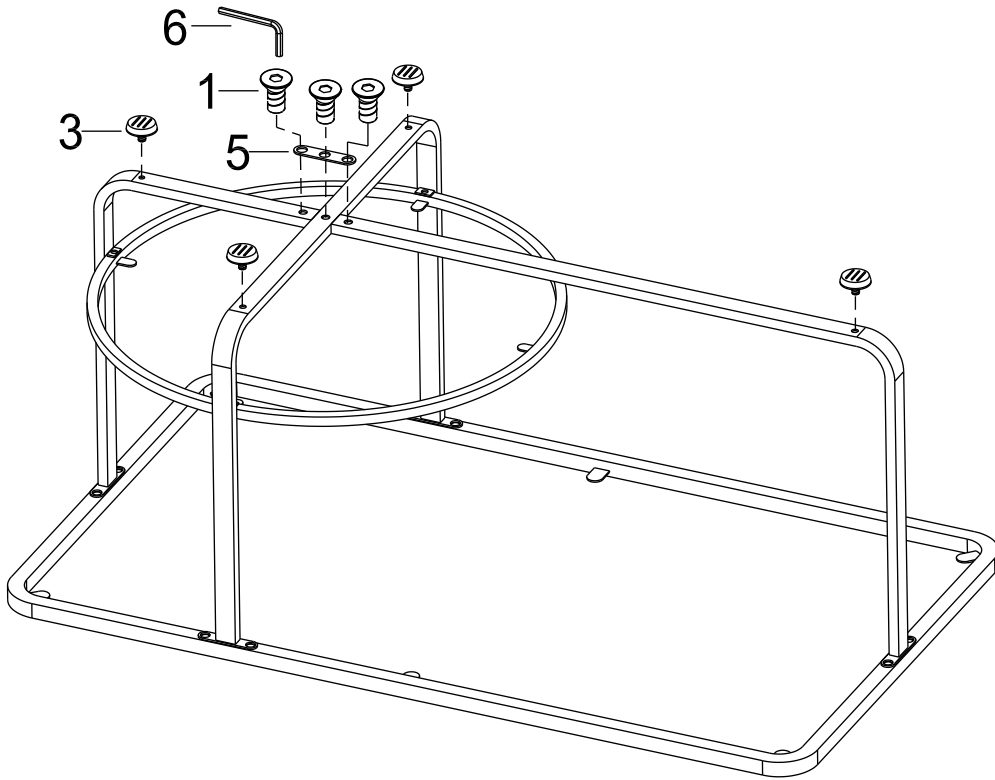
Attach large stretcher (C), small stretcher (D) and U-shaped stretcher (E) to square frame (A) using bolts (1) and allen key (6) as shown.

STEP 2



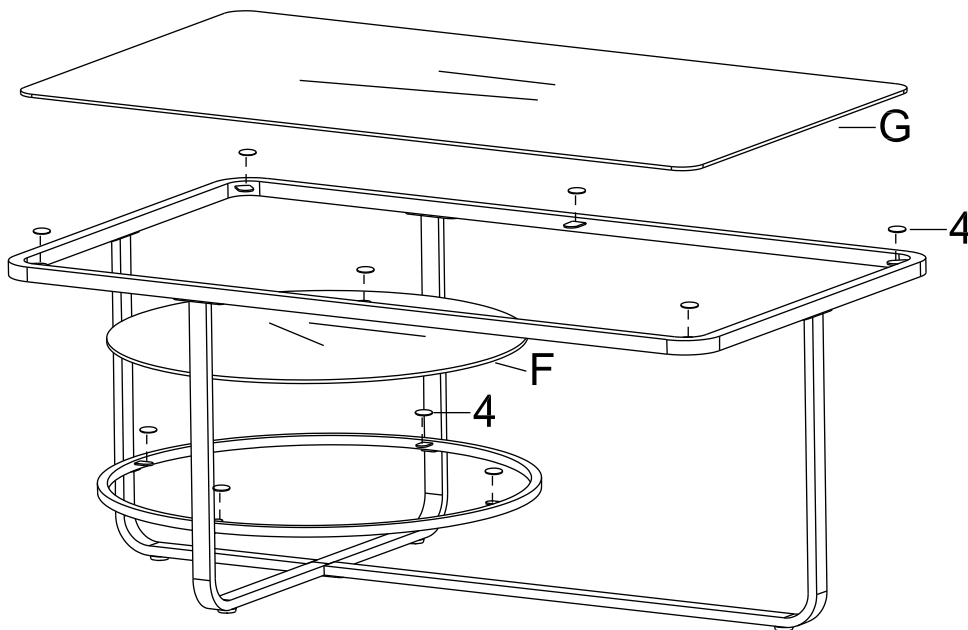
Attach circle frame (B) to assembled stretcher using screw (2) as shown.

STEP 3



Attach metal sheet (5) to assembled stretchers using bolts (1) and allen key (6), then attach leveler (3) to stretchers as shown.

STEP 4



Attach pad (4) to square frame (A) and circle frame (B), then place glass top (G) on square frame (A), and place mirror shelf (F) on circle frame (B) as shown.