

BLANCO ANDANO 400/400-U

Item No. BL467040

Pros



Picture similar

A symphony in stainless steel

- Unique composition of visual and functional elements
- The combination of radii and surface design creates a modern design
- High quality features consisting of a covered C-overflow® and modern basket strainer
- Large bowl capacity and fully usable base
- For installation from above or undermount installation
- Stylish: glass food board in silver-look and stainless steel colander



Surfaces

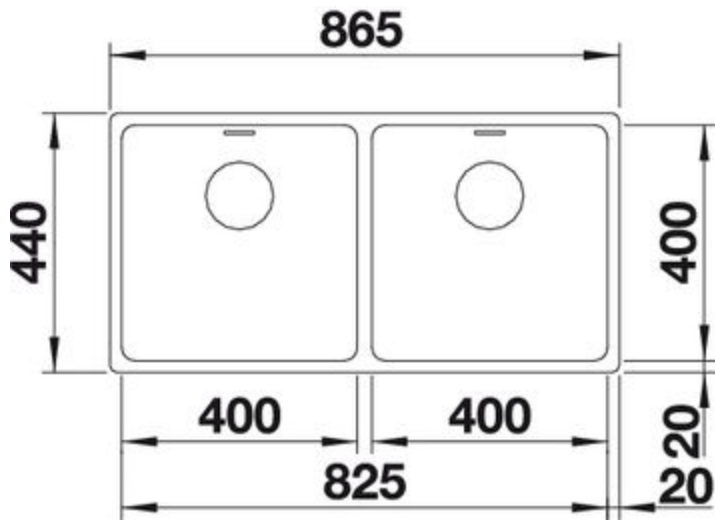


Stainless steel
18/10

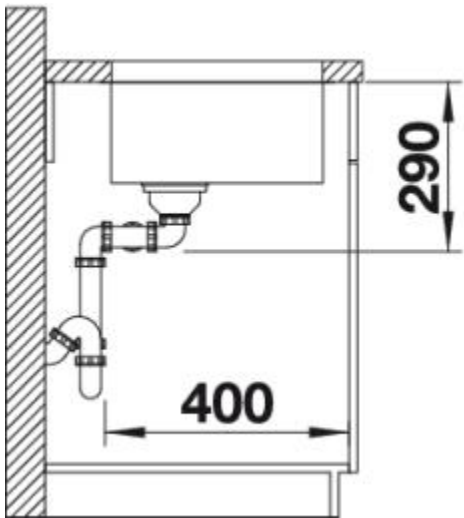
Stainless steel 18/10

Item No. BL467040

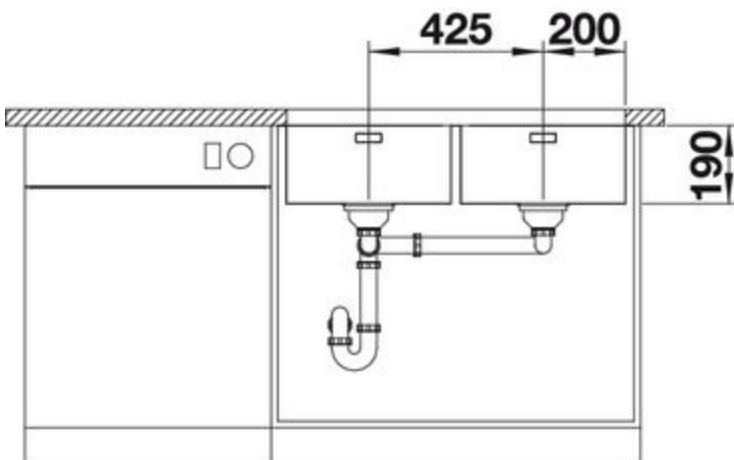
Details



Top View



Side View



Front View

Scope of supply

waste and overflow fitting with space-saving pipe, 3 1/2" basket

strainer, fixing kit (sealing not included)

Design tips

Cabinet Width: 90 cm

Bowl depth: 190 mm / 190 mm

Bowl(s) Depth: 190mm

Cabinet width min: 90cm

Cut out size: 825 x 400 x R22

Universal handing

Taps



BLANCO VONDA

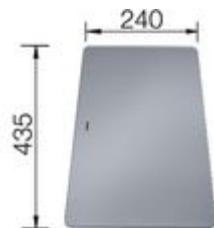
chrome

BM3750CH

Optional Accessories



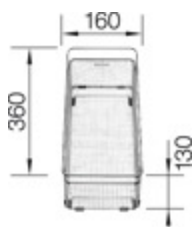
Chopping board
BL230700



Cutting board
BL227697



Colander
BL227692



Colander
BL223297

BLANCO UK Limited

Tel: 01923 635200

Fax: 0800 0911608

> www.blanco.co.uk