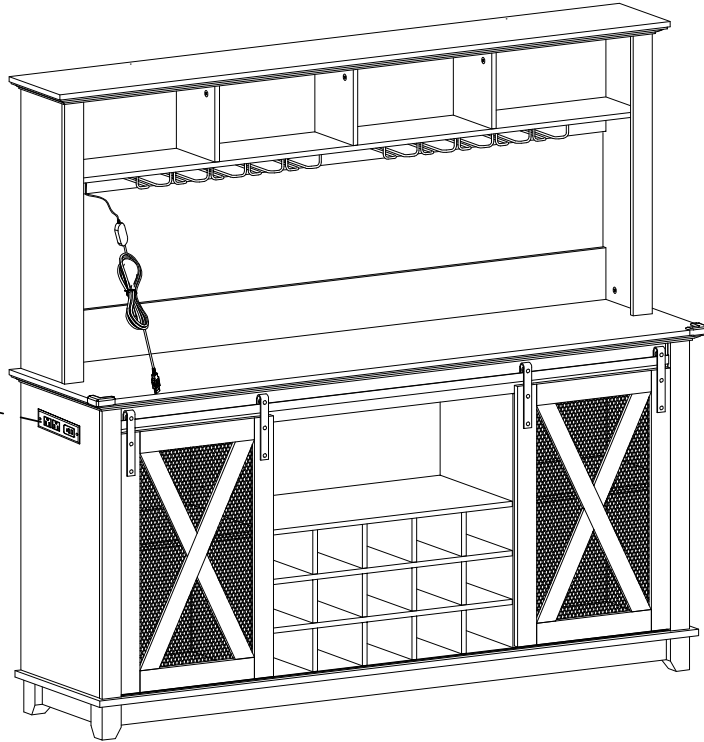


Manual

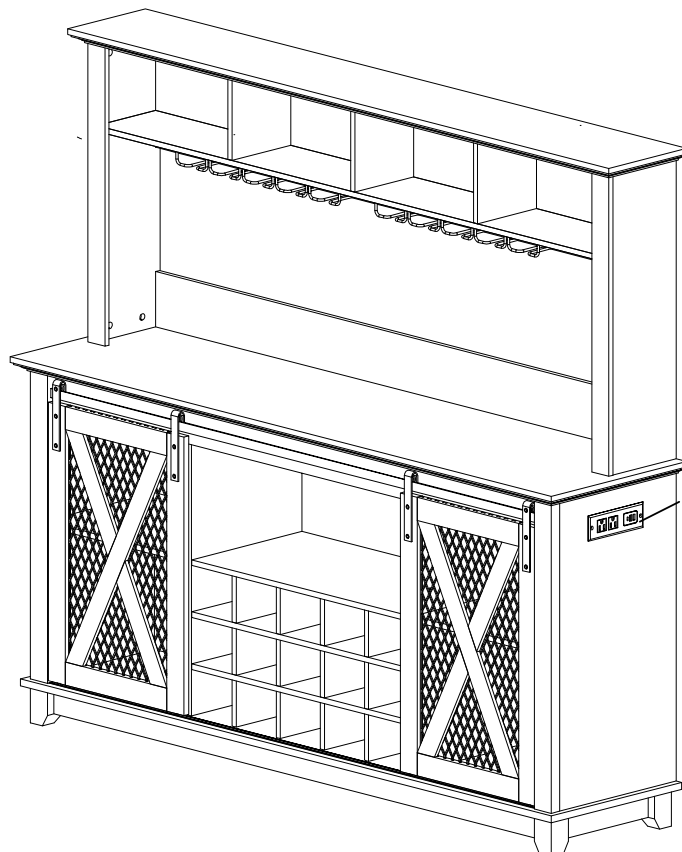
Outlet Placement Flexibility

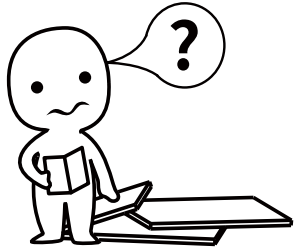
This unit is designed with a versatile power outlet module. During assembly, you may choose to mount the outlet on either the left side or the right side of the cabinet to best suit your space and usage preferences. For instructions on mounting the outlet on the opposite side, please refer to Page 29.”

Left-
mounted
outlet



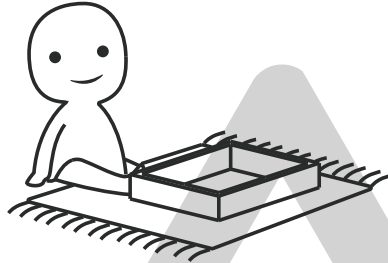
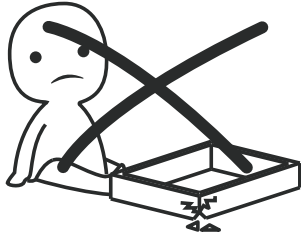
Right-
mounted
outlet





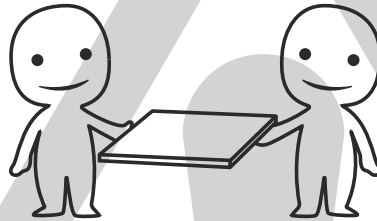
IMPORTANT INFORMATION!

please read the entire manual before starting to assemble and/or using this product. follow the manual thoroughly and keep it for further reference.



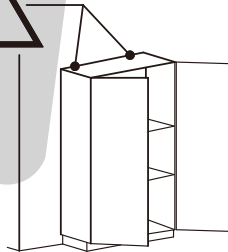
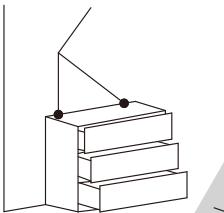
AVOID SCRATCHES!

In order to avoid scratching this furniture should be assembled on a soft layer- could be a rug.



IMPROVE EFFICIENCY !

Try to find a partner to install with you, which can speed up the installation efficiency and shorten the time.



ANTI-TOPPLE WARNING !

Overturned furniture can cause serious or fatal crush injuries. To prevent tipping over, be sure to use the wall attachment, if not included with this product. Please purchase the wall attachment that fit your wall. If unsure, seek professional advice. Please read and follow each step of the instructions carefully.

IMPORTANT !

It is important that any product which is assembled using any kind of screw is re-tightened 2 weeks after assembly, and once every 3 months - in order to assure stability through-out the lifespan of the product.

For regular maintenance and cleaning of the product, for the frame, please use a rag dipped in neutral detergent to fully wipe it, and then dry it with a clean rag. For glass materials, wipe with a rag dampened with water glass cleaner, and then dry with a dry rag.

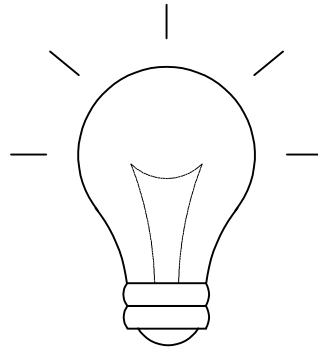
Do not use an electric screwdriver, and do not use too much force when installing, because the board is easy to break.

'SAFETY TIPS:

Static charge may cause dust on foam- clean with a dry or damp cloth. Smafoam strands may represent - handle gently and dispose of properly.

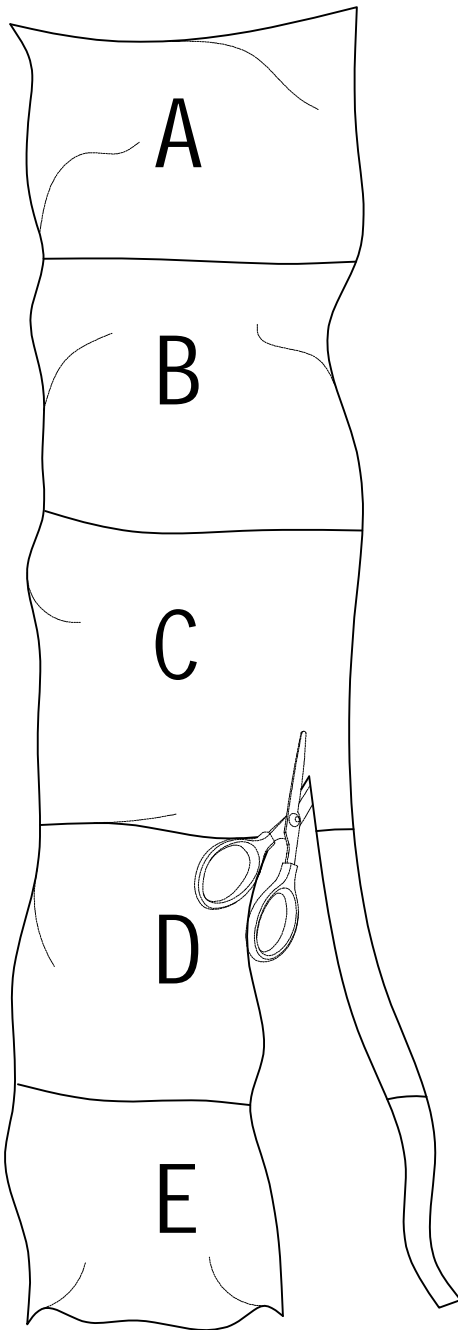
Do not burn or incinerate.

Check local recycling guidelines.

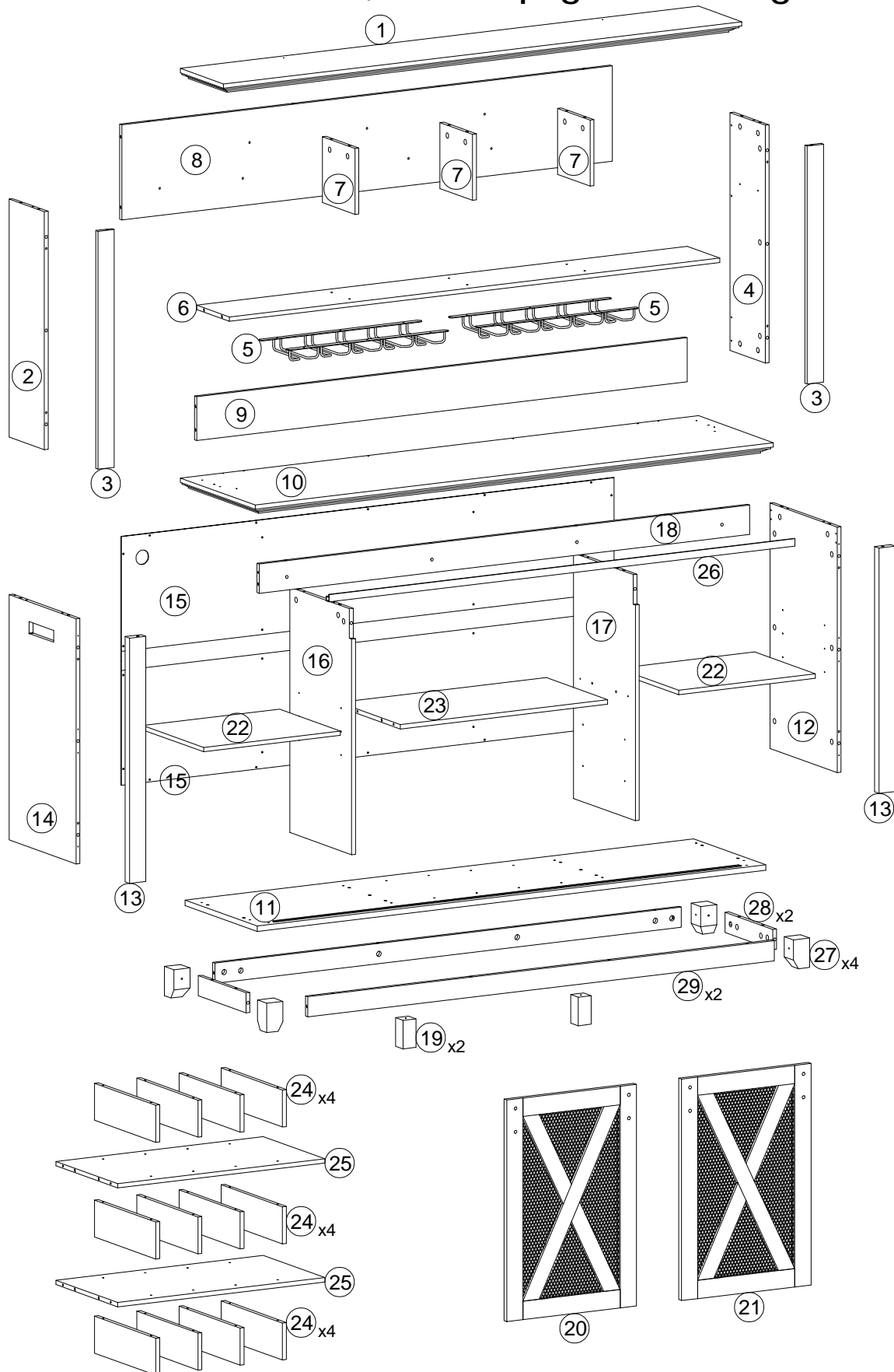


friendly reminder

To avoid errors and confusion during the installation of accessories, use the type and quantity of hardware accessories according to the installation procedure described in the instructions. First, unroll the accessories bag and lay out the hardware accessories, cut holes in the side, and take out the hardware accessories



This installation manual includes two installation methods for the sockets: left-mounted and right-mounted. For left-mounted installation, refer to pages 6 through 27. For right-mounted installation, refer to pages 28 through 47.



PACKAGE CONTENT

CODE	DESCRIPTION	QTY
1	Top panel	1
2	Upper left side plate	1
3	Upper side front trim panel	2
4	Upper right side plate	1
5	Wine glass rack	2
6	Upper partition plate	1
7	Upper center vertical plate	3
8	Upper back brace	1
9	Middle back brace	1
10	Face panel	1
11	Bottom panel	1
12	Lower left side panel	1
13	Bottom side front trim panel	2
14	Upper left side plate	1
15	Back plane	1

PACKAGE CONTENT

CODE	DESCRIPTION	QTY
16	Lower left medial plate	1
17	Lower right medial plate	1
18	Panel lower front trim	1
19	Middle leg	2
20	Left door panel	1
21	Right door panel	1
22	Movable shelf	2
23	Medium fixed plate	1
24	Wine grid vertical plate	12
25	Wine grid horizontal plate	2
26	Trip door slide	1
27	Socle	4
28	Lateral leg	2
29	Front and back foot strips	2
30		

PACKAGE CONTENT

A Ø6*30



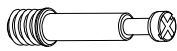
102+2pcs

B Ø15*10



86+2pcs

C Ø6*35



86+2pcs

D Ø5*38



33+2pcs

E Ø3.5*12

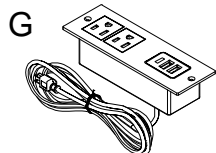


14+2pcs

F M6*20



4+1pcs



1pcs

H M6*12



8+1pcs

I



5+1pcs

J

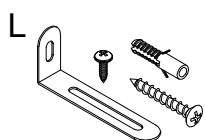


8+2pcs

K Ø3.5*14



26+3pcs



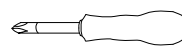
2pcs

M



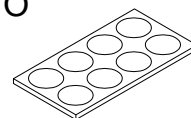
2pcs

N



1pcs

O



6+2pcs

P



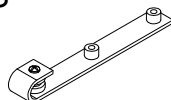
86+2pcs

R



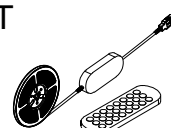
4+2pcs

S

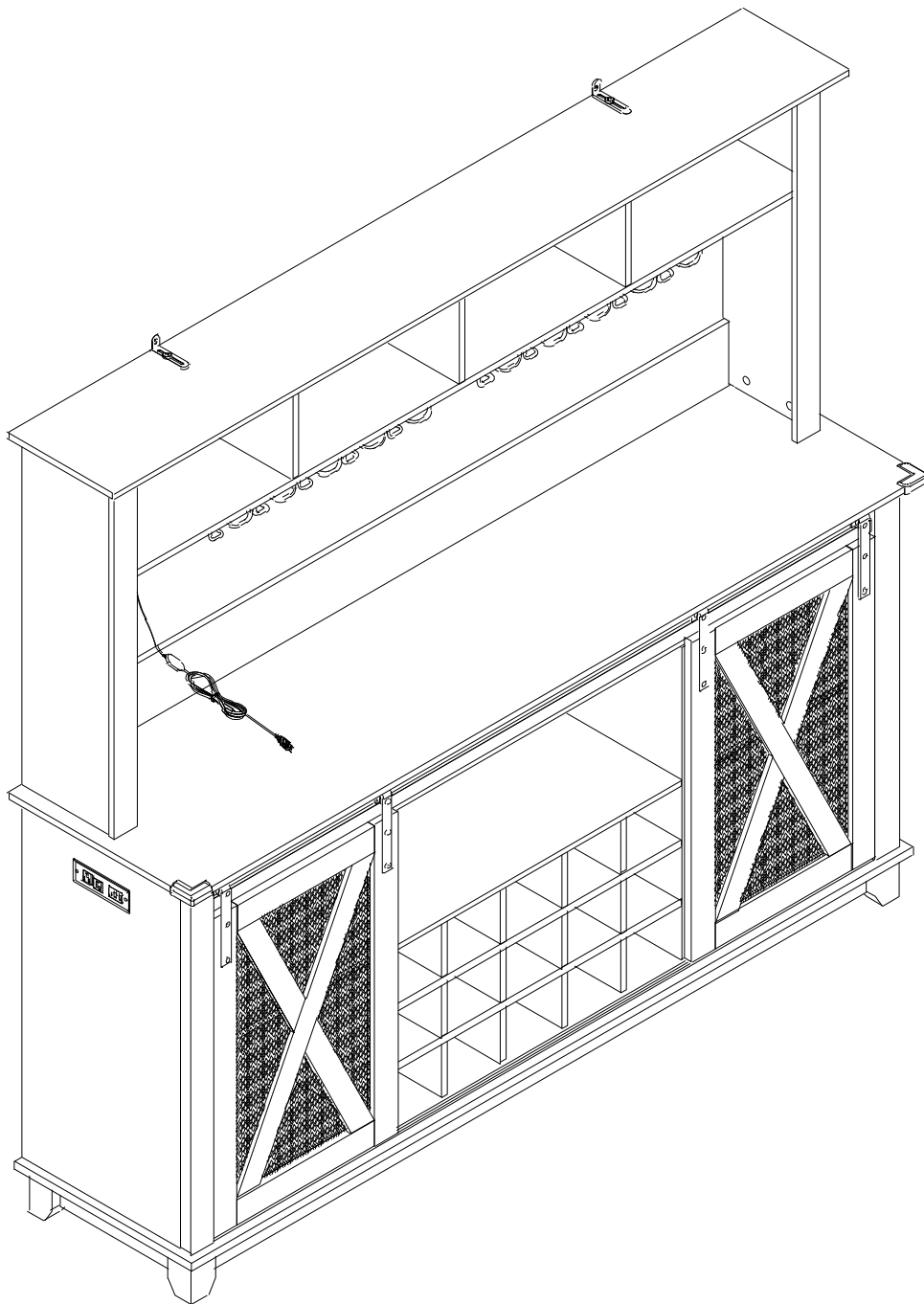


4pcs

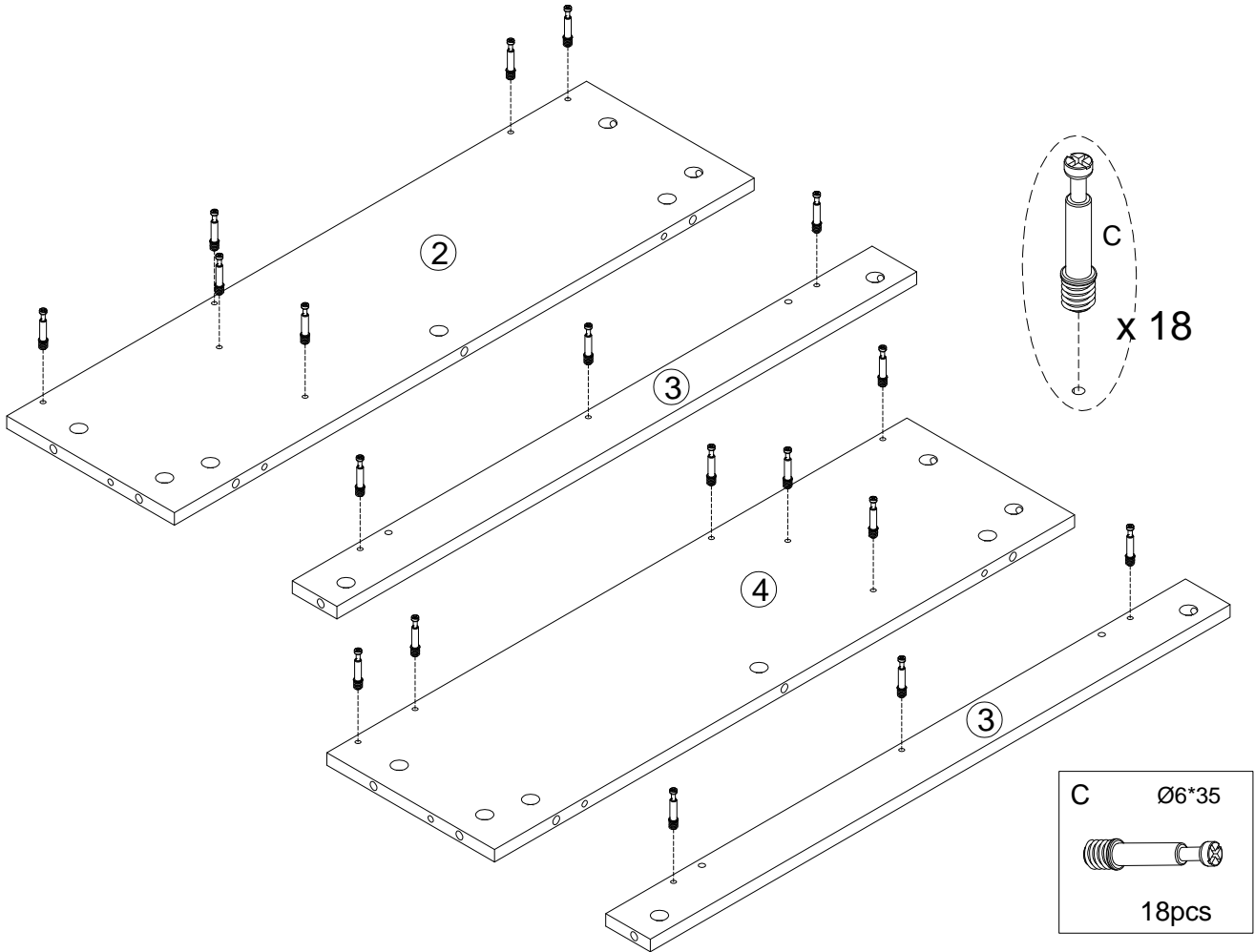
T



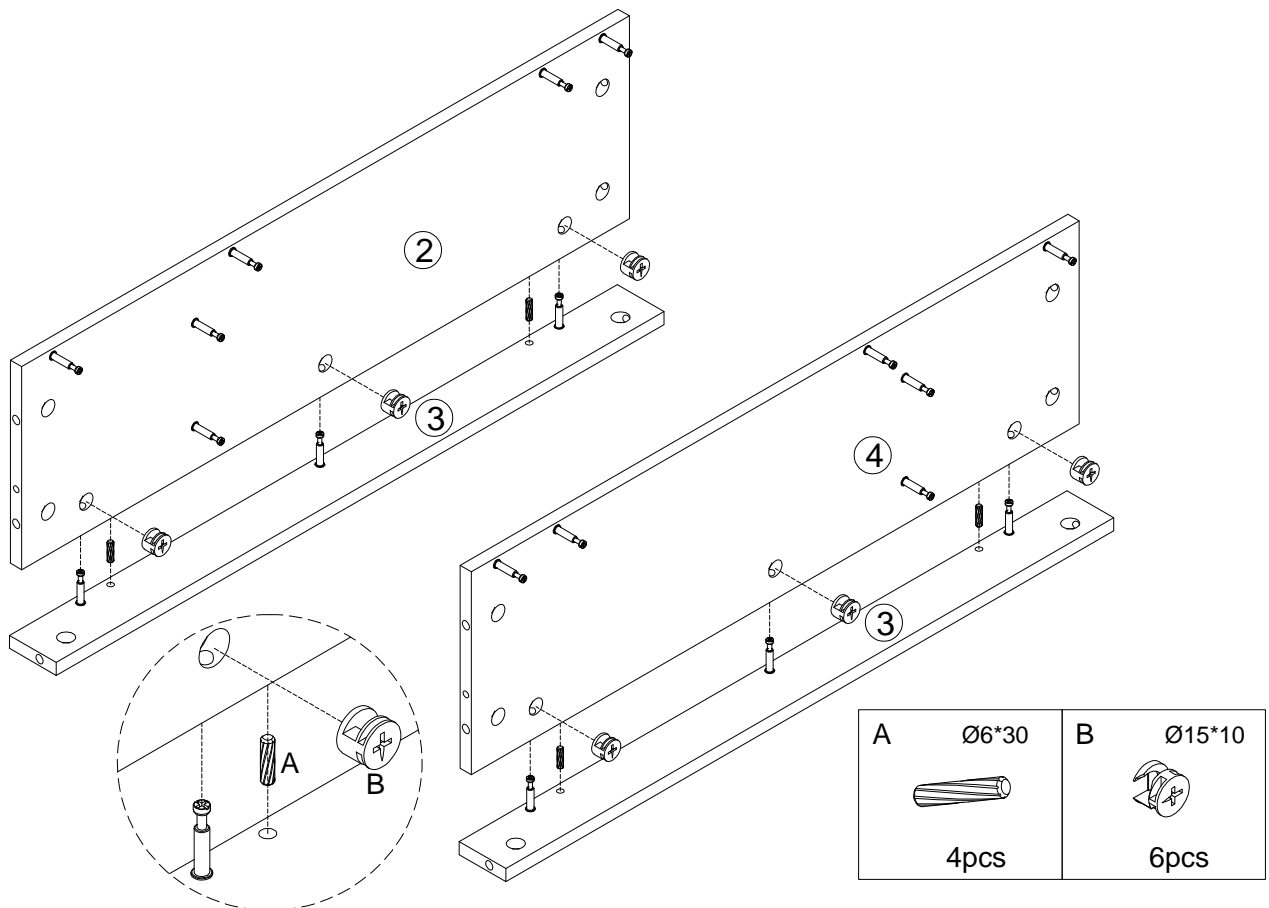
1pcs



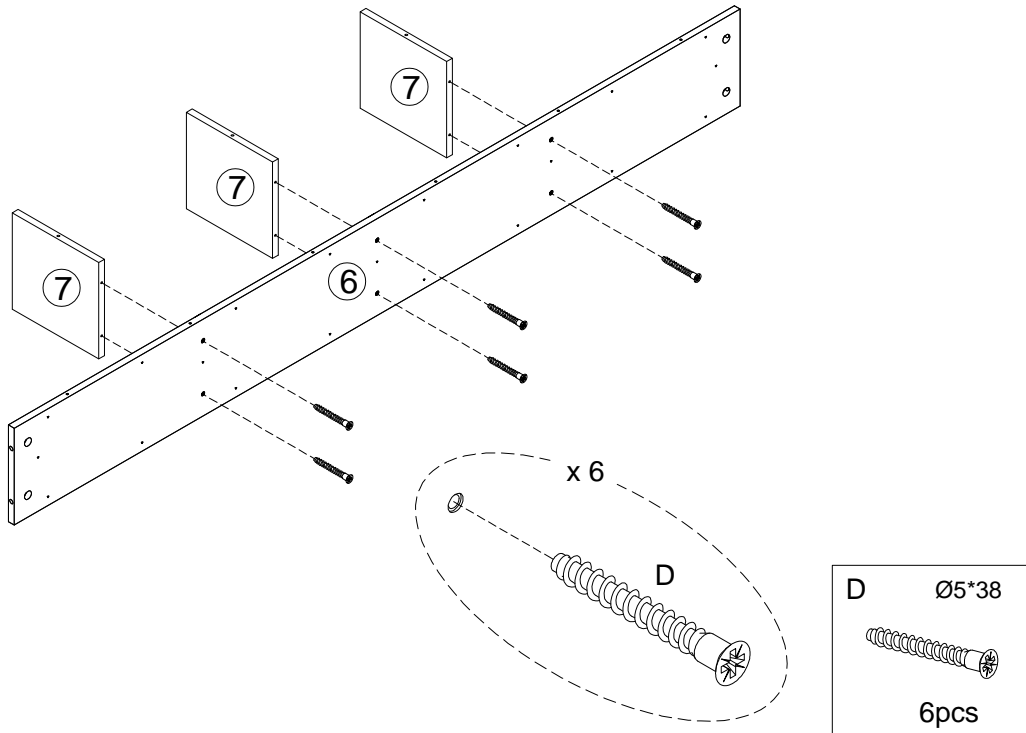
1



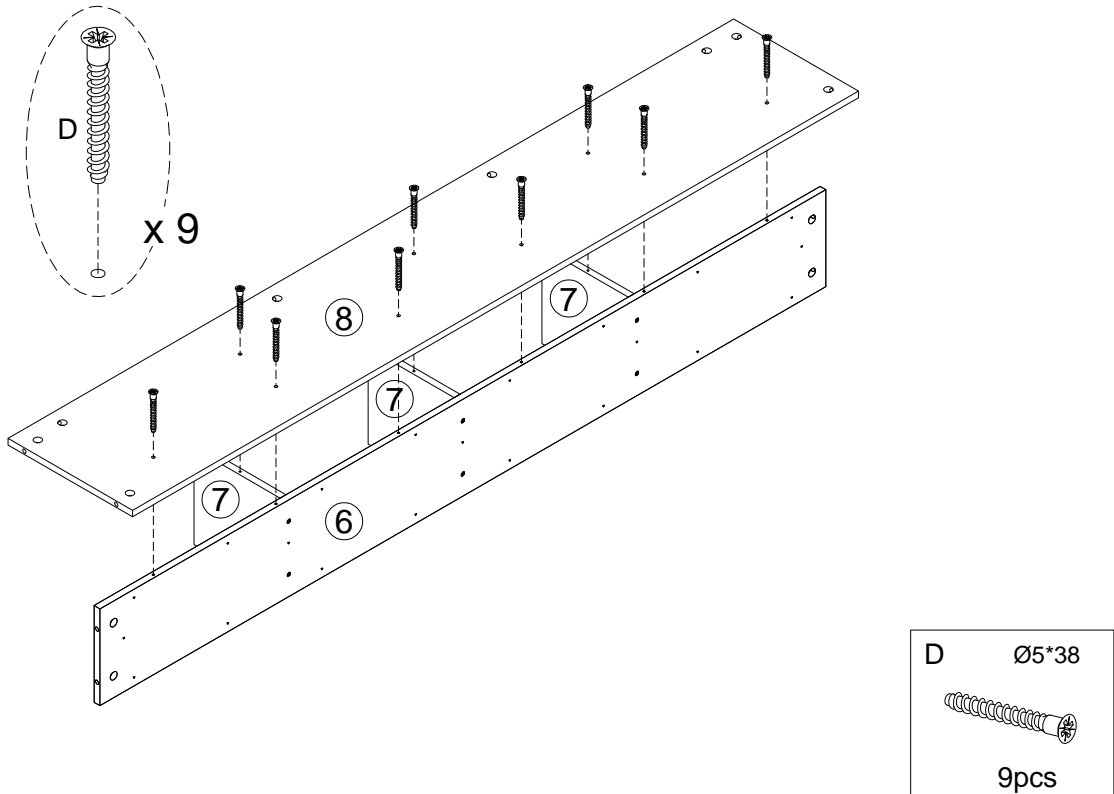
2



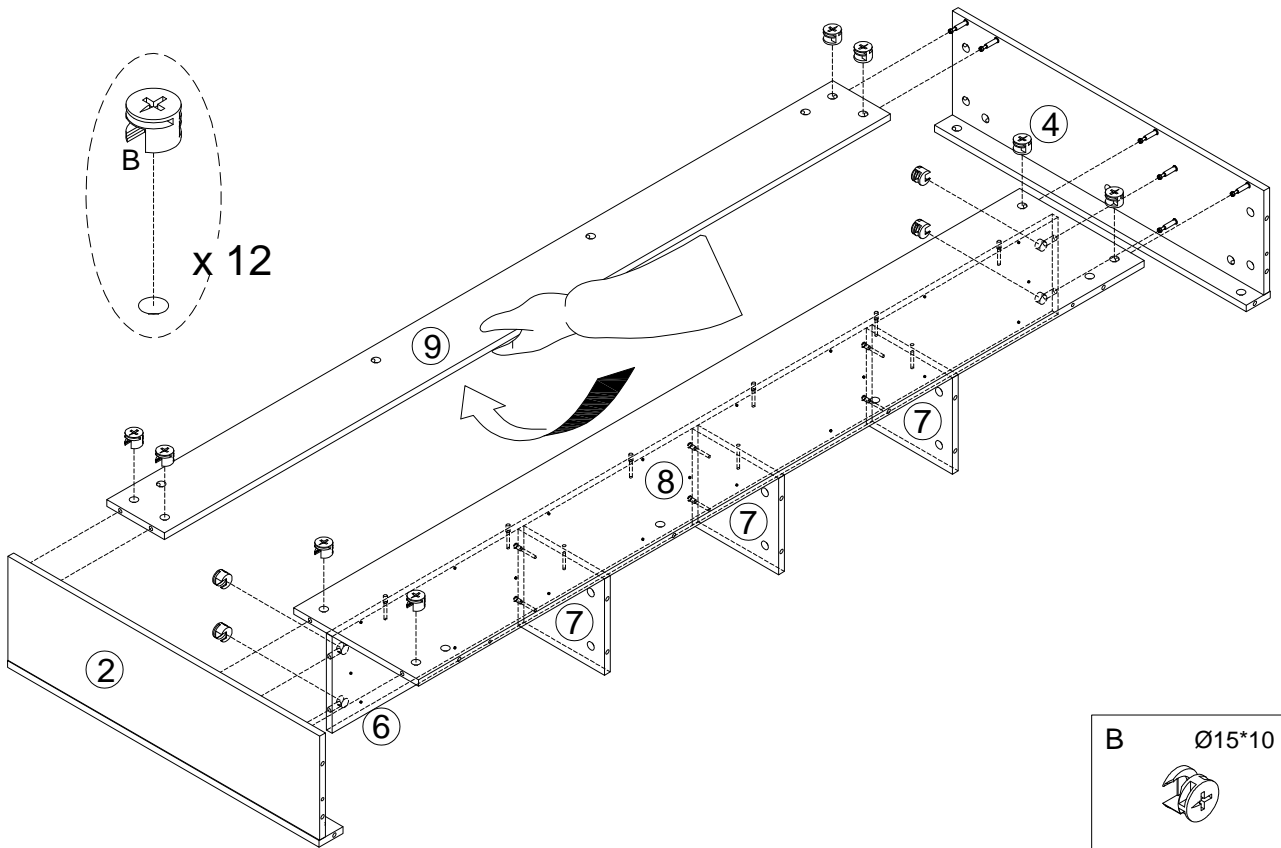
3



4




5



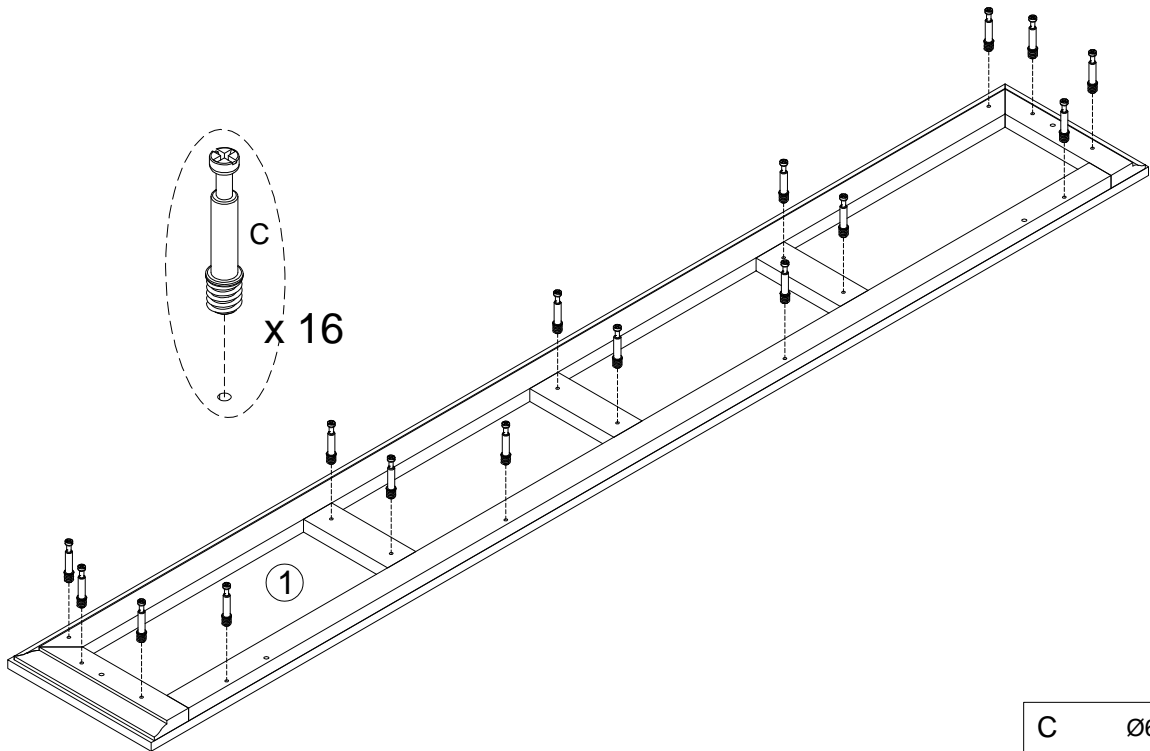
x 12

B Ø15*10




12pcs

6



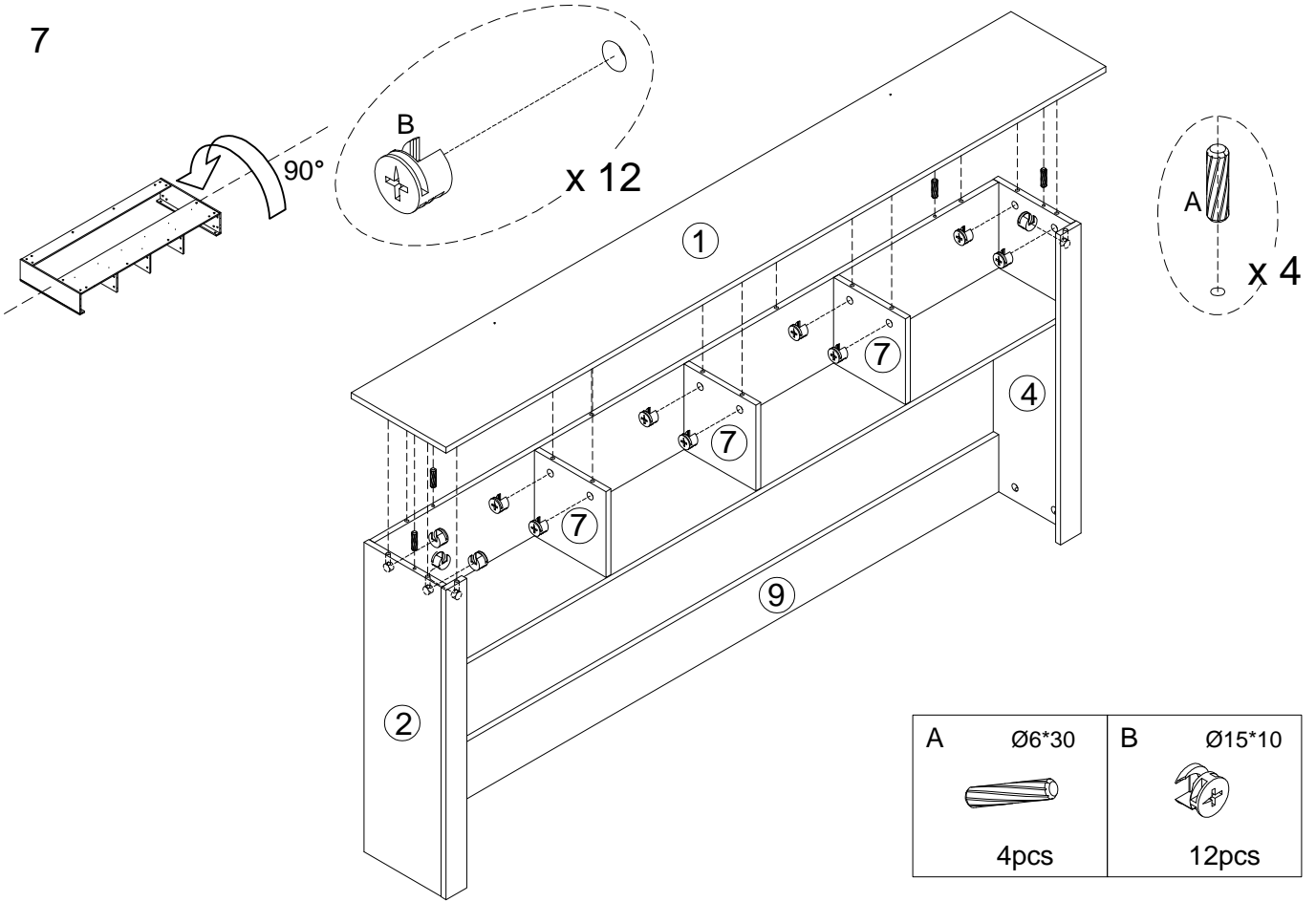
x 16

C Ø6*35

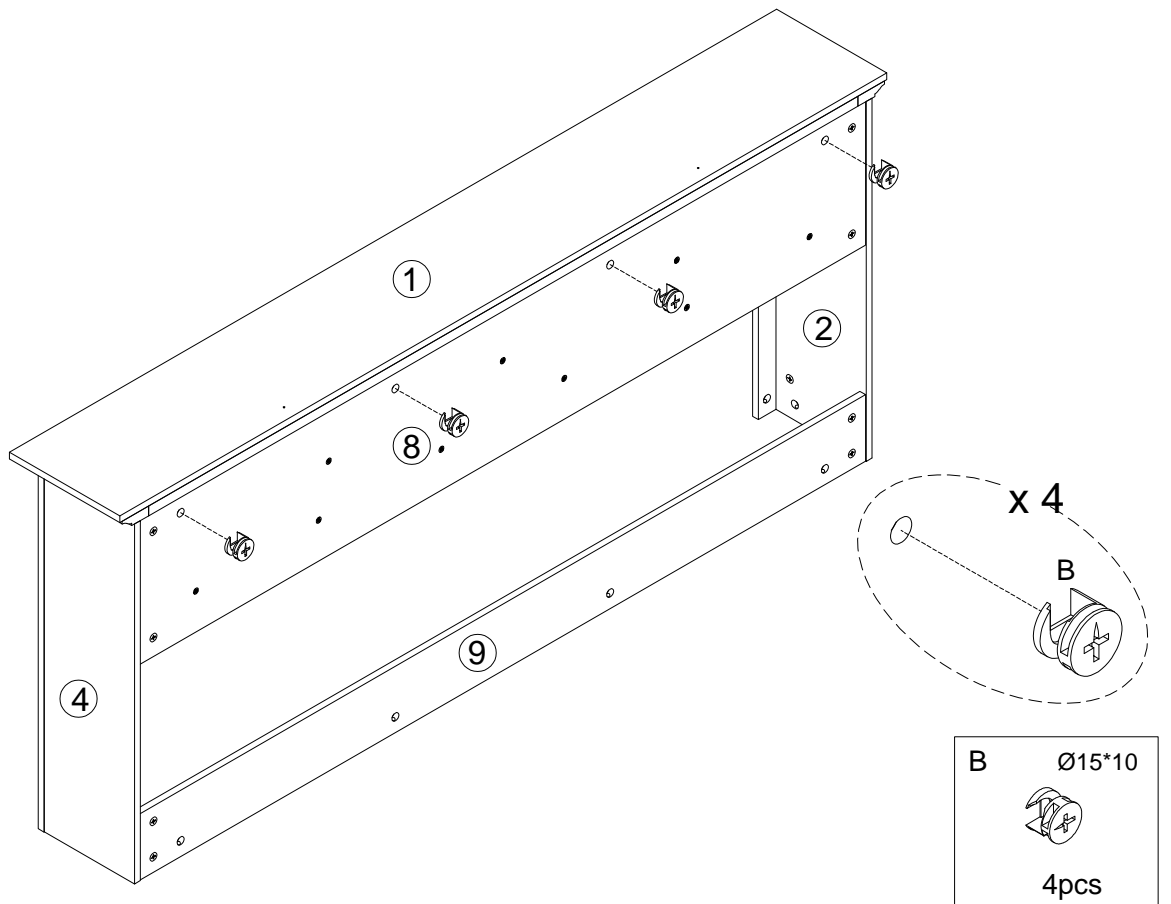


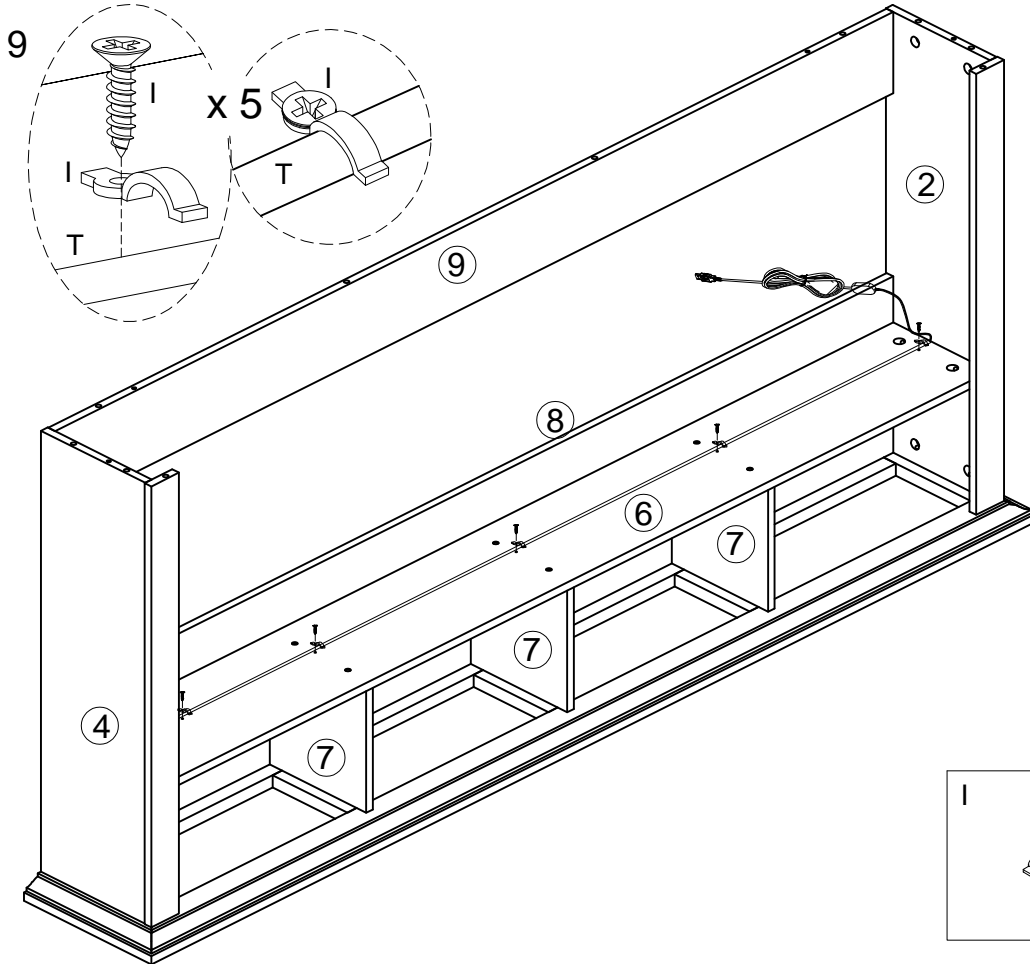
16pcs

7

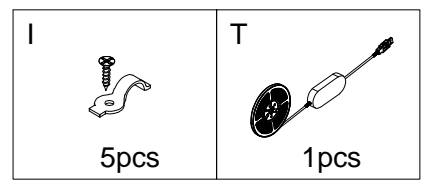


8



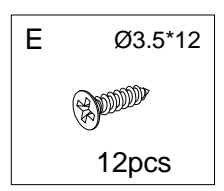
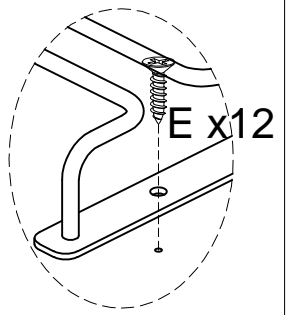
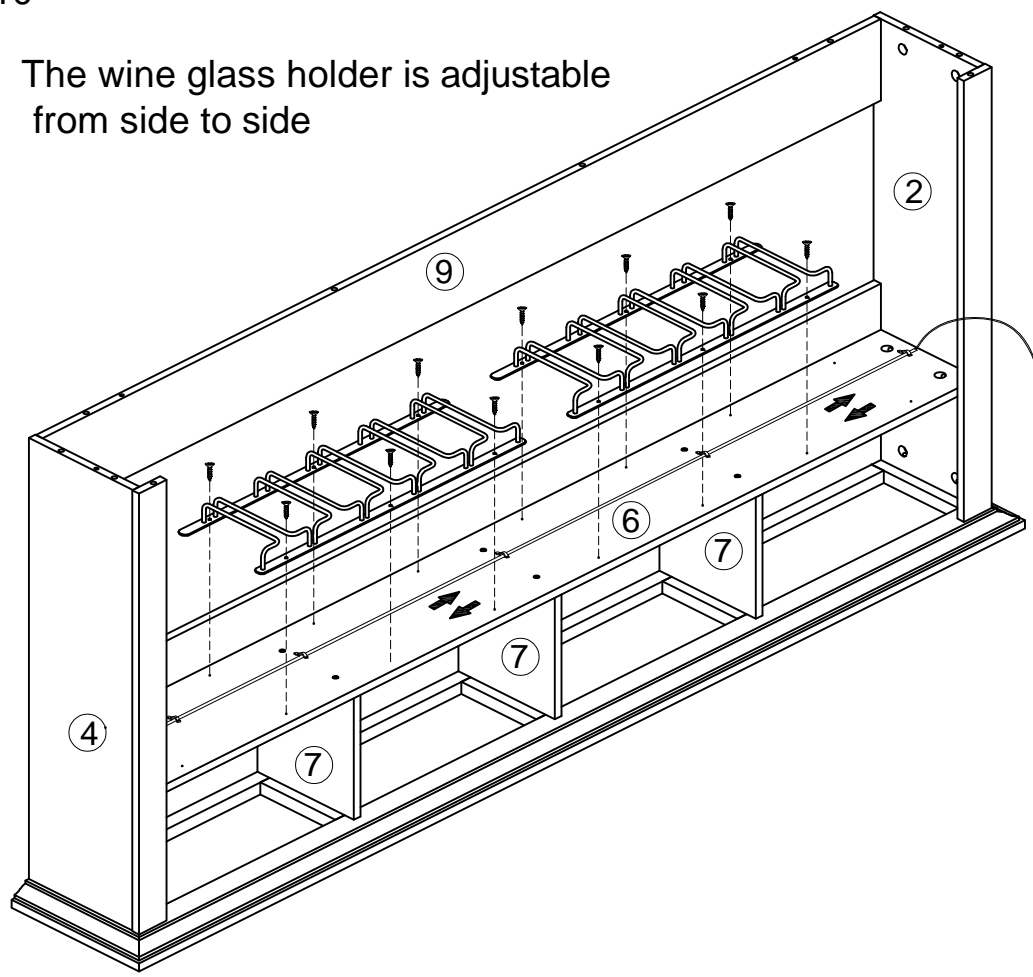


Select the installation direction of the LED USB port based on the socket position

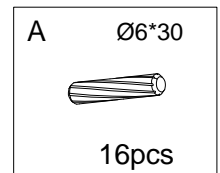
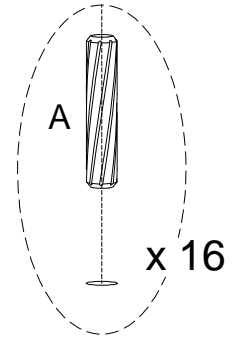
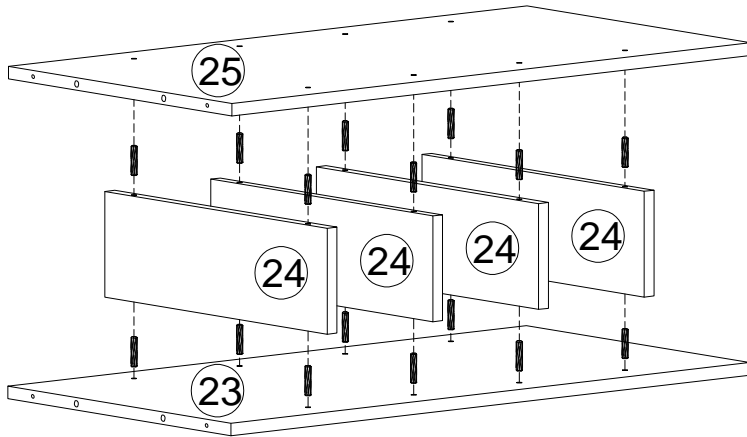


10

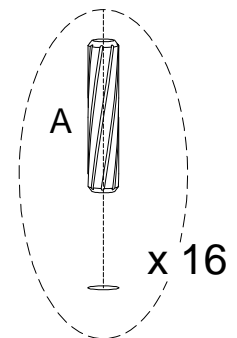
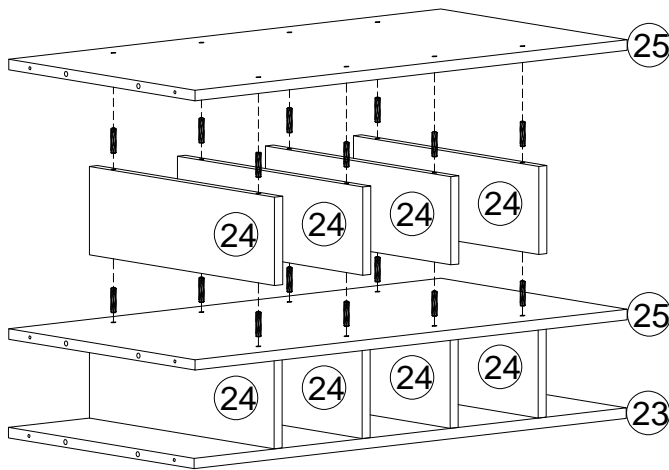
The wine glass holder is adjustable from side to side



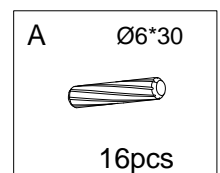
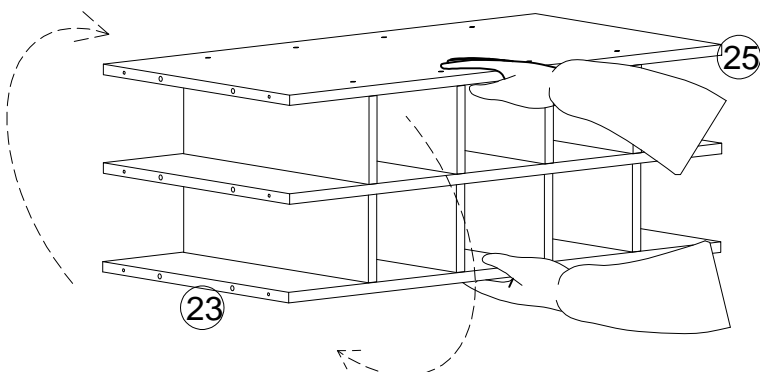
11



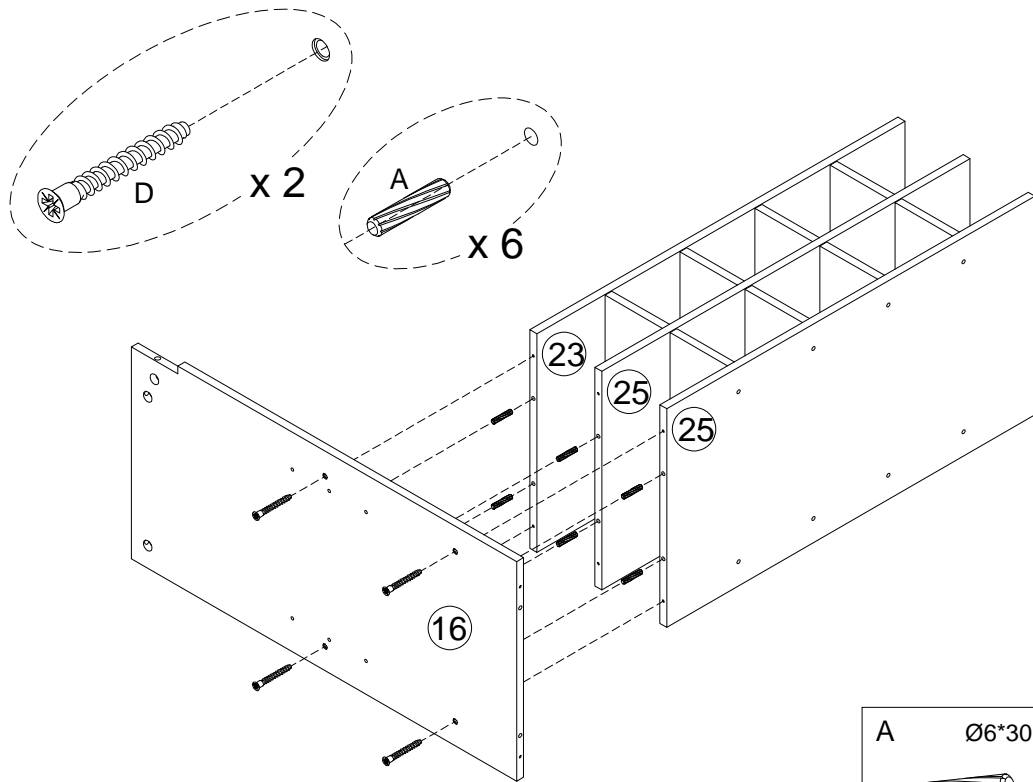
12





This step is easy to disintegrate when flipped, and requires two hands to clamp before flipping.

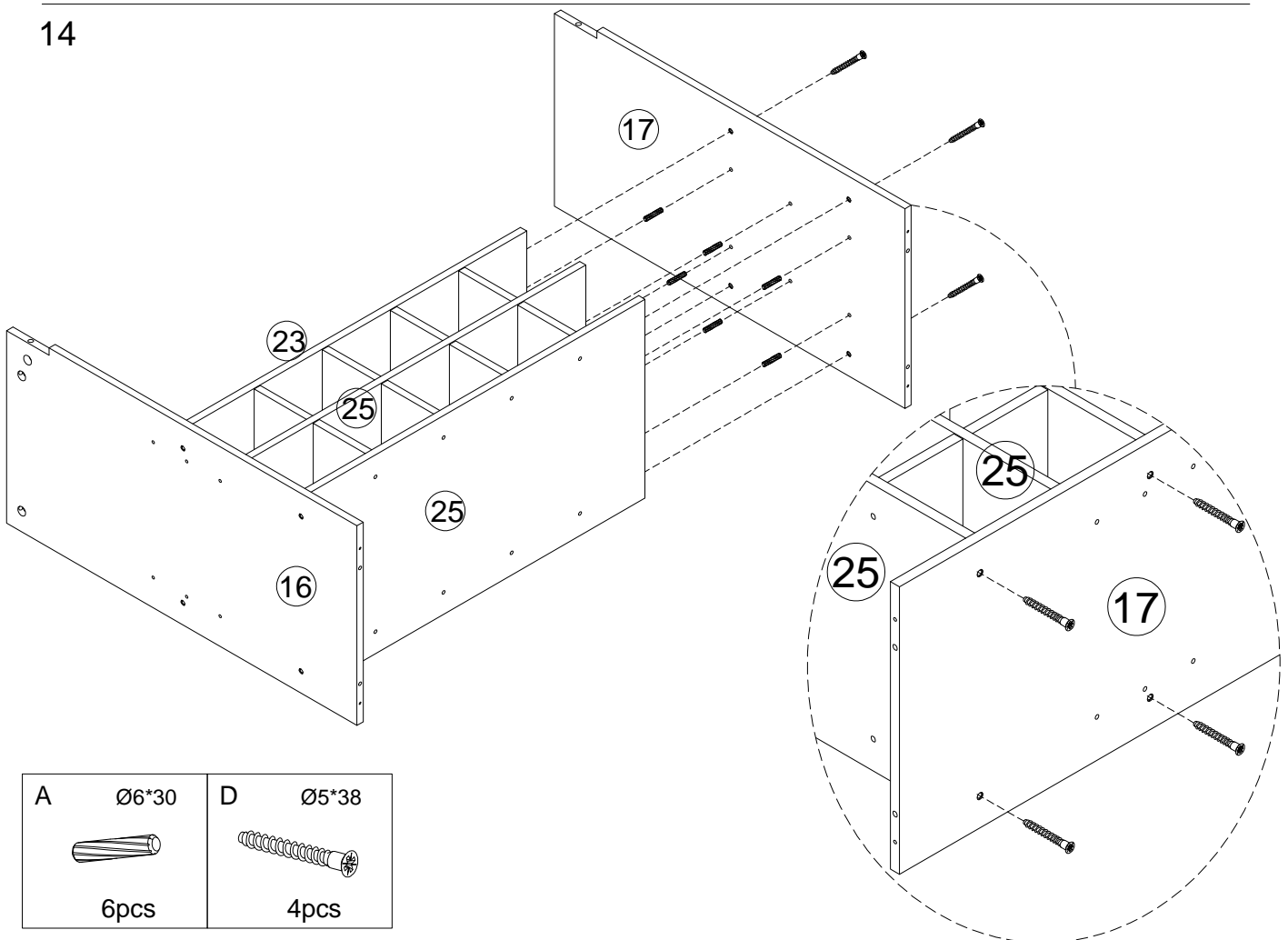




13



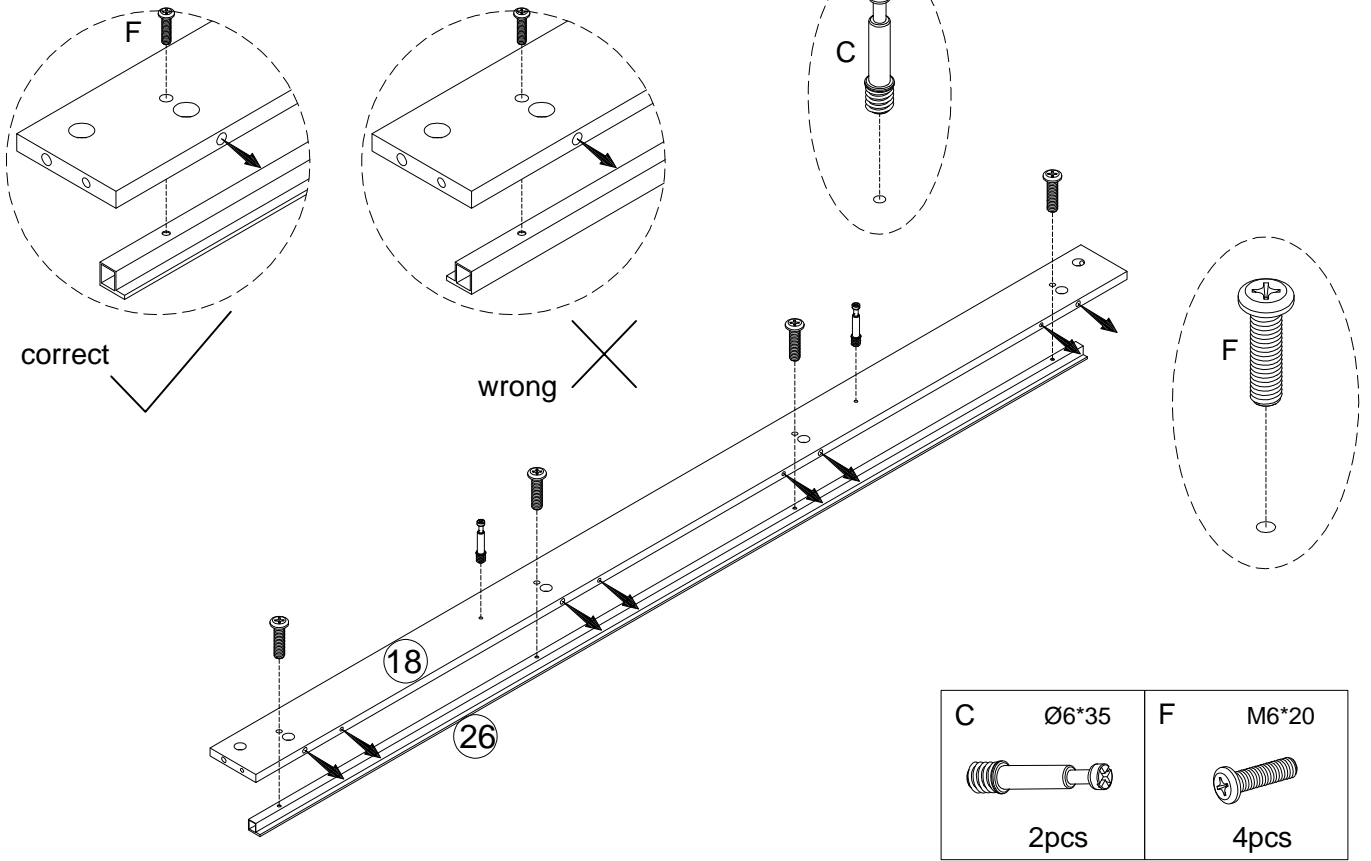
A	Ø6*30	D	Ø5*38
			
	6pcs		4pcs

14

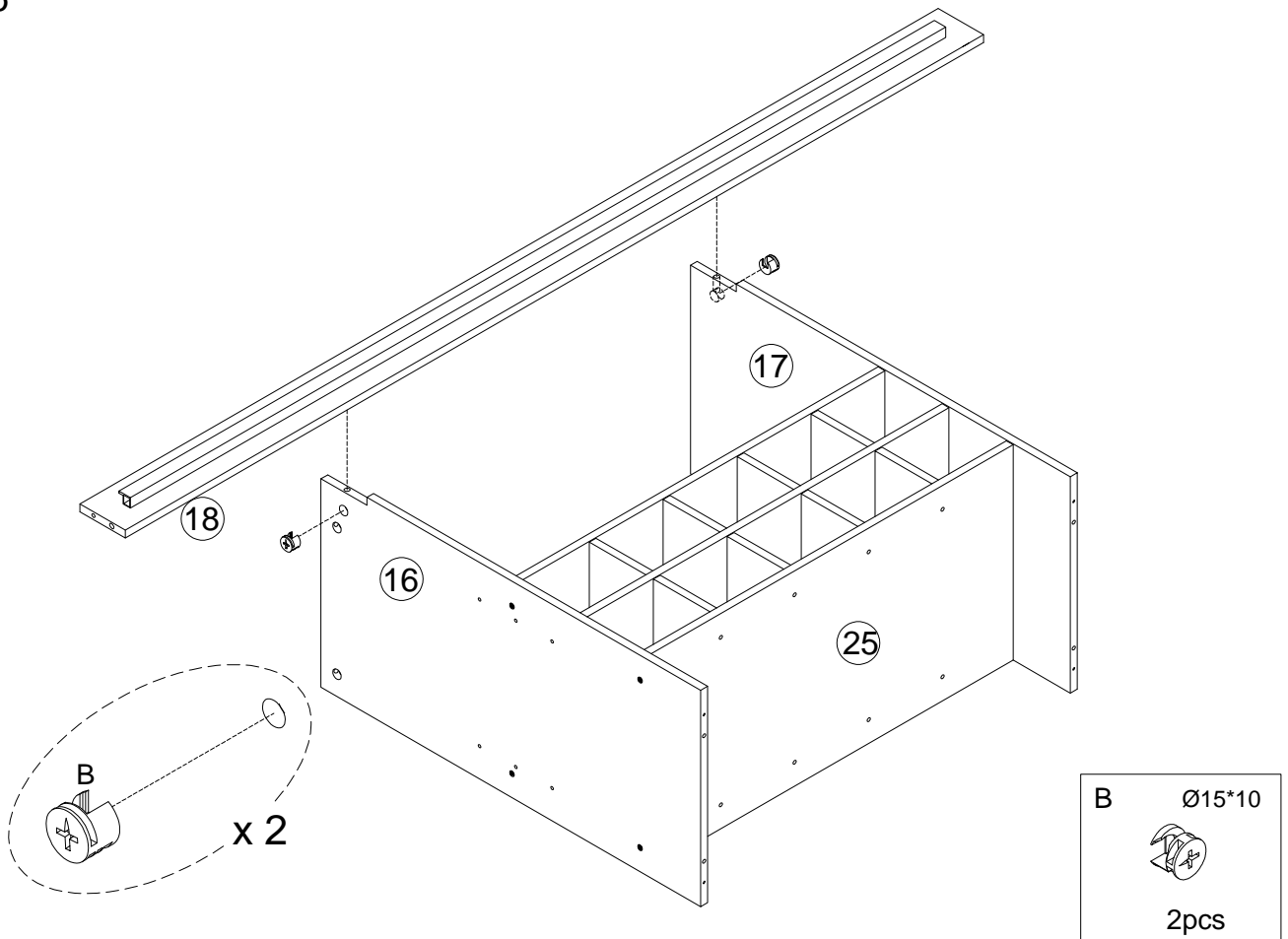


A	Ø6*30	D	Ø5*38
			
	6pcs		4pcs

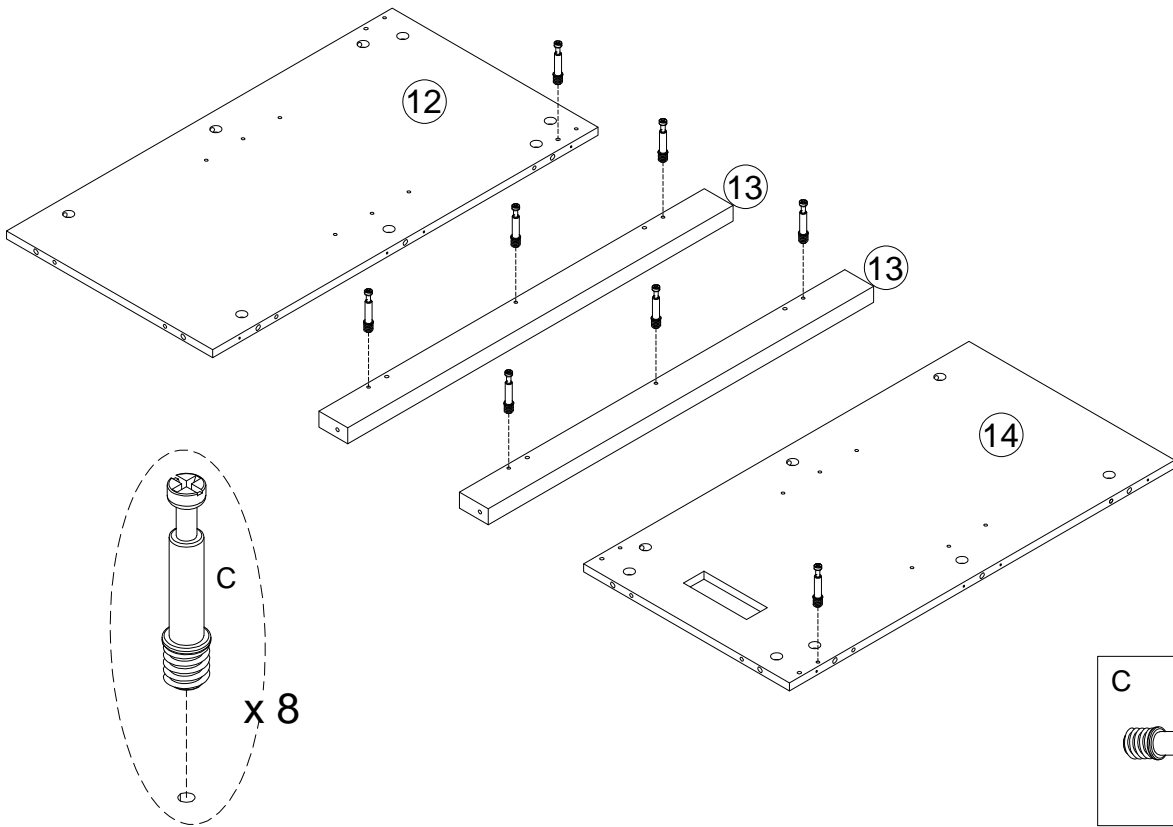
15



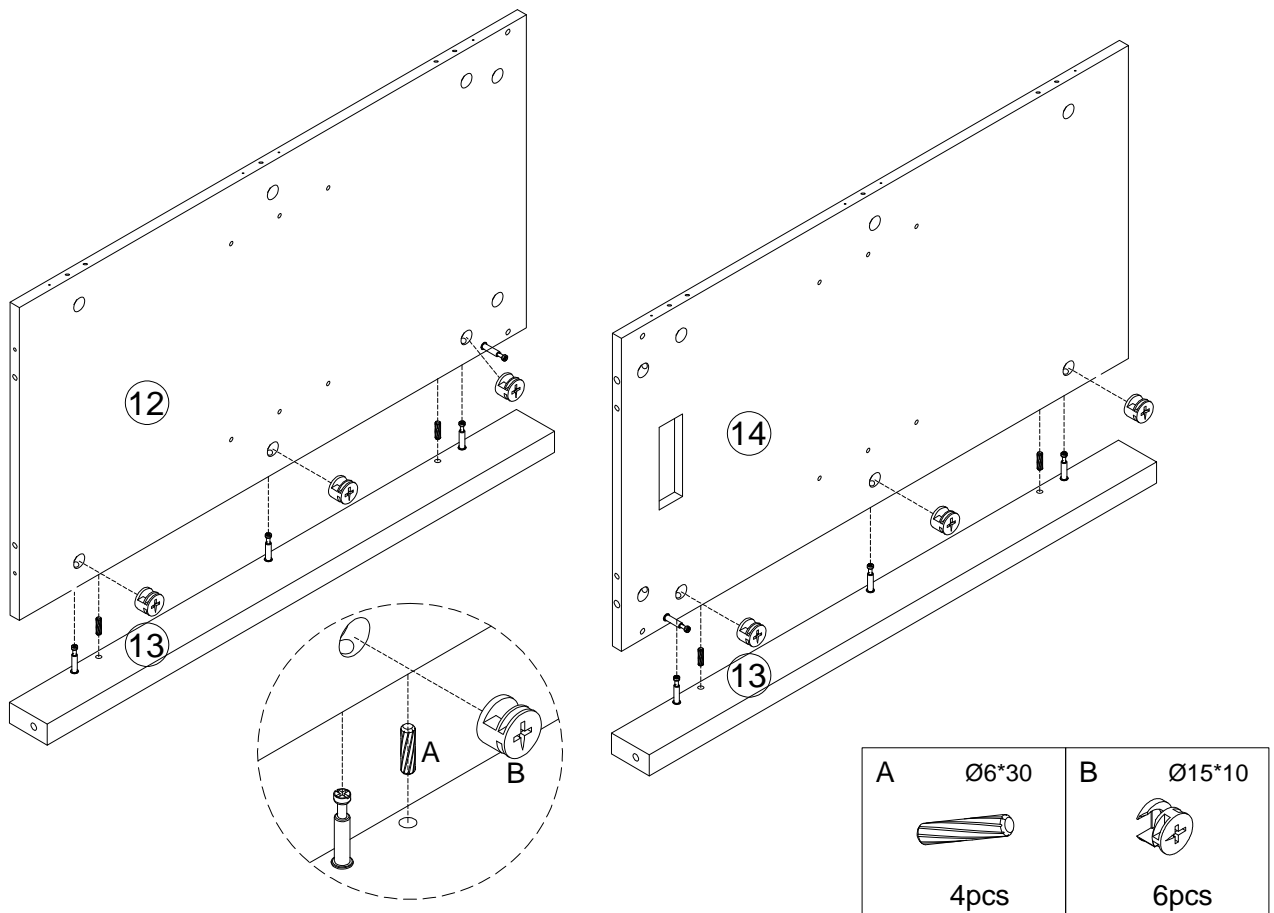
16



17

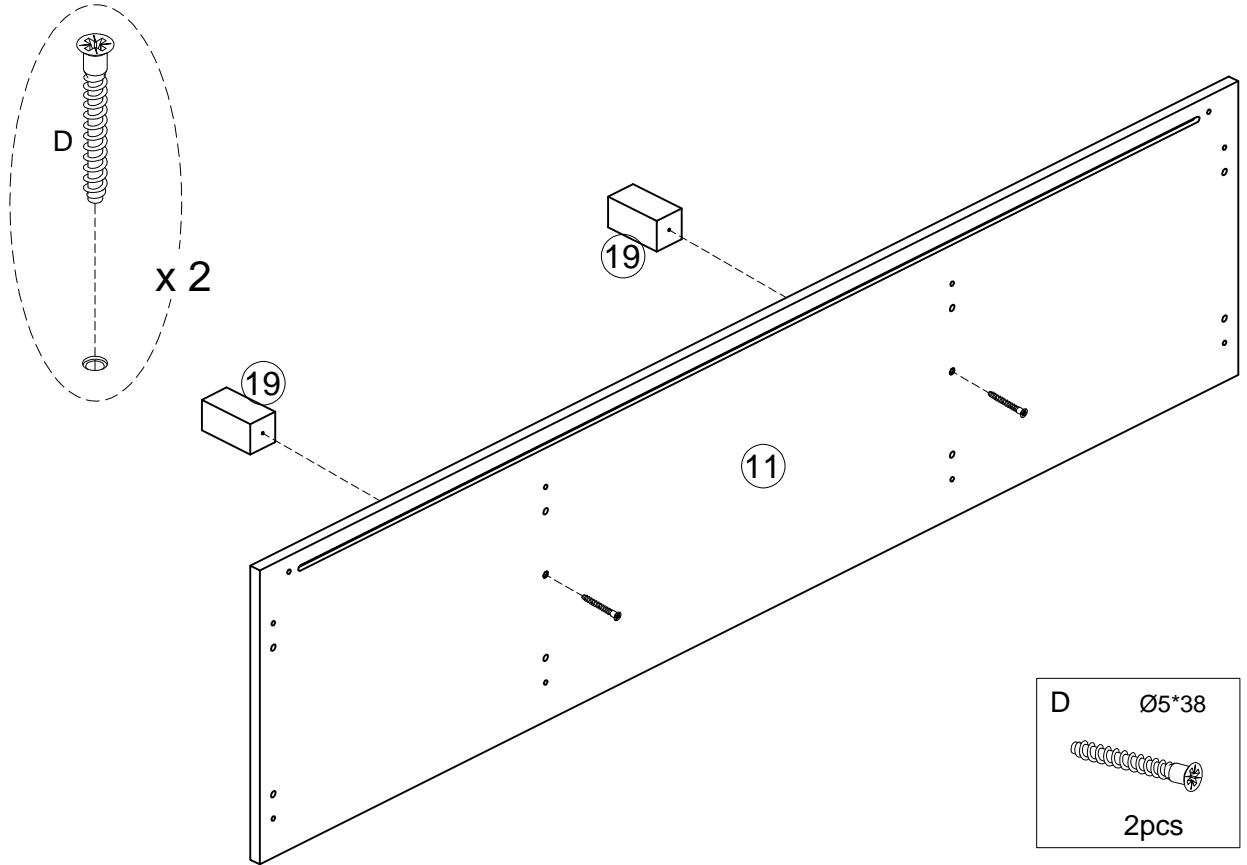


18

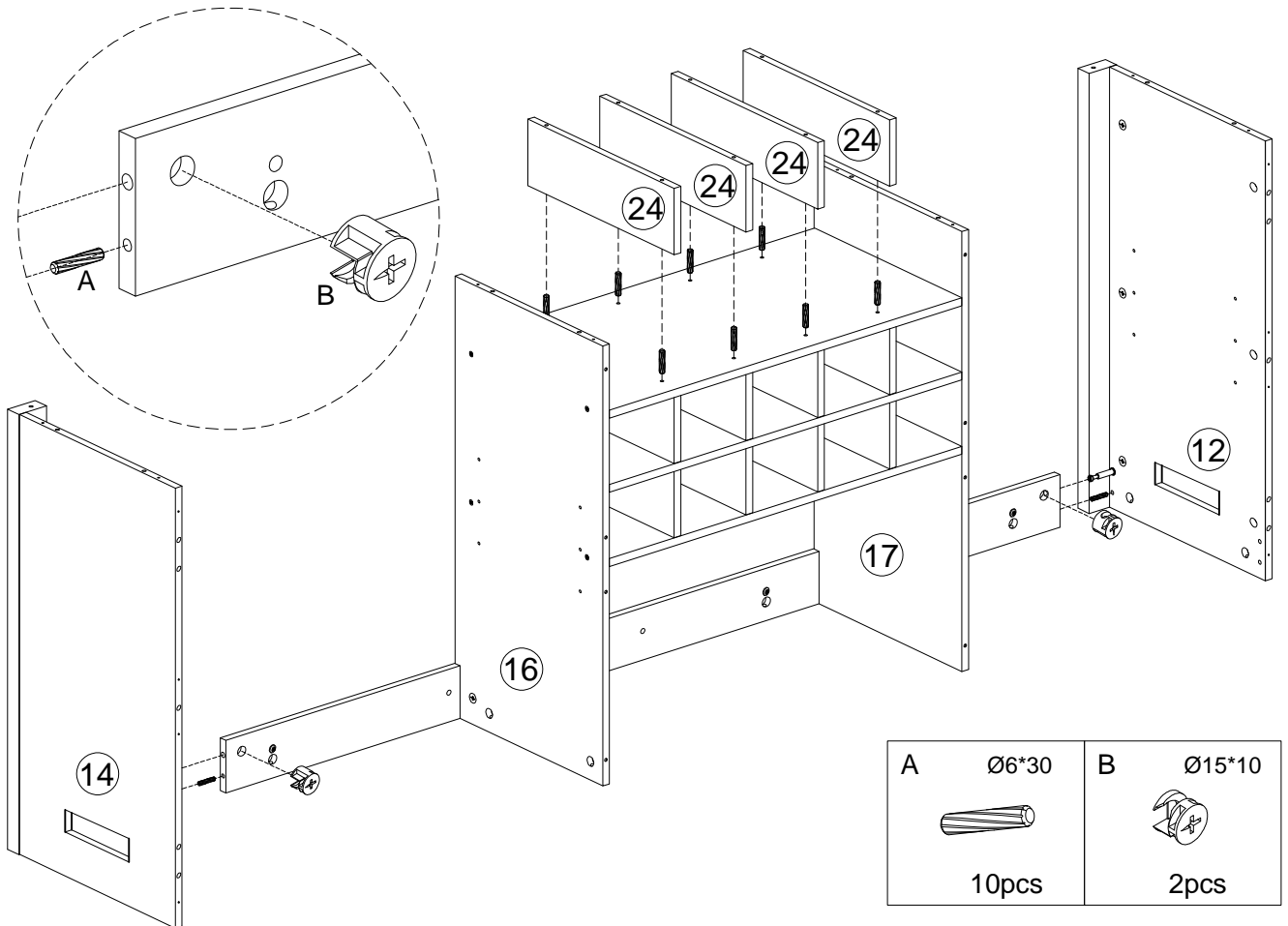


19

Left

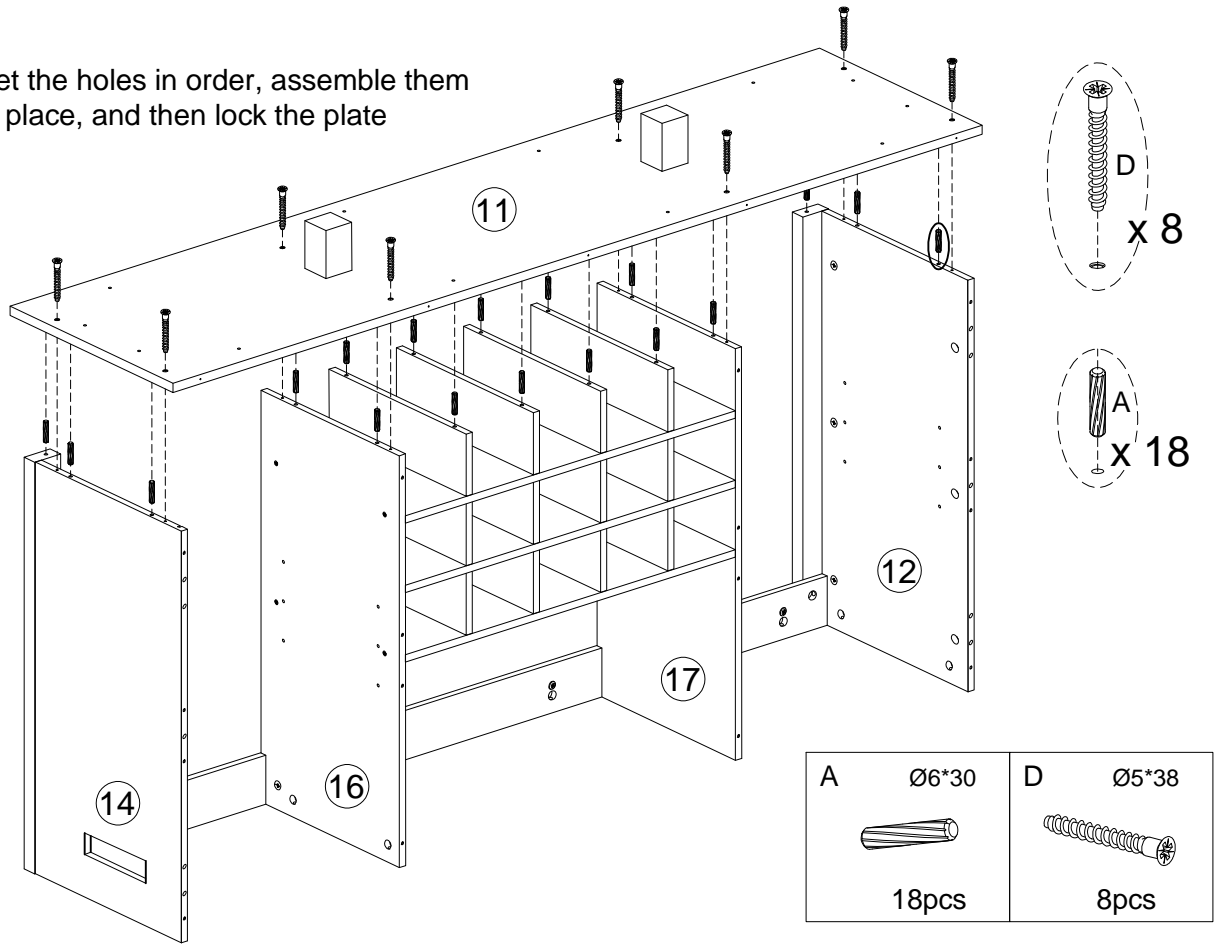


20

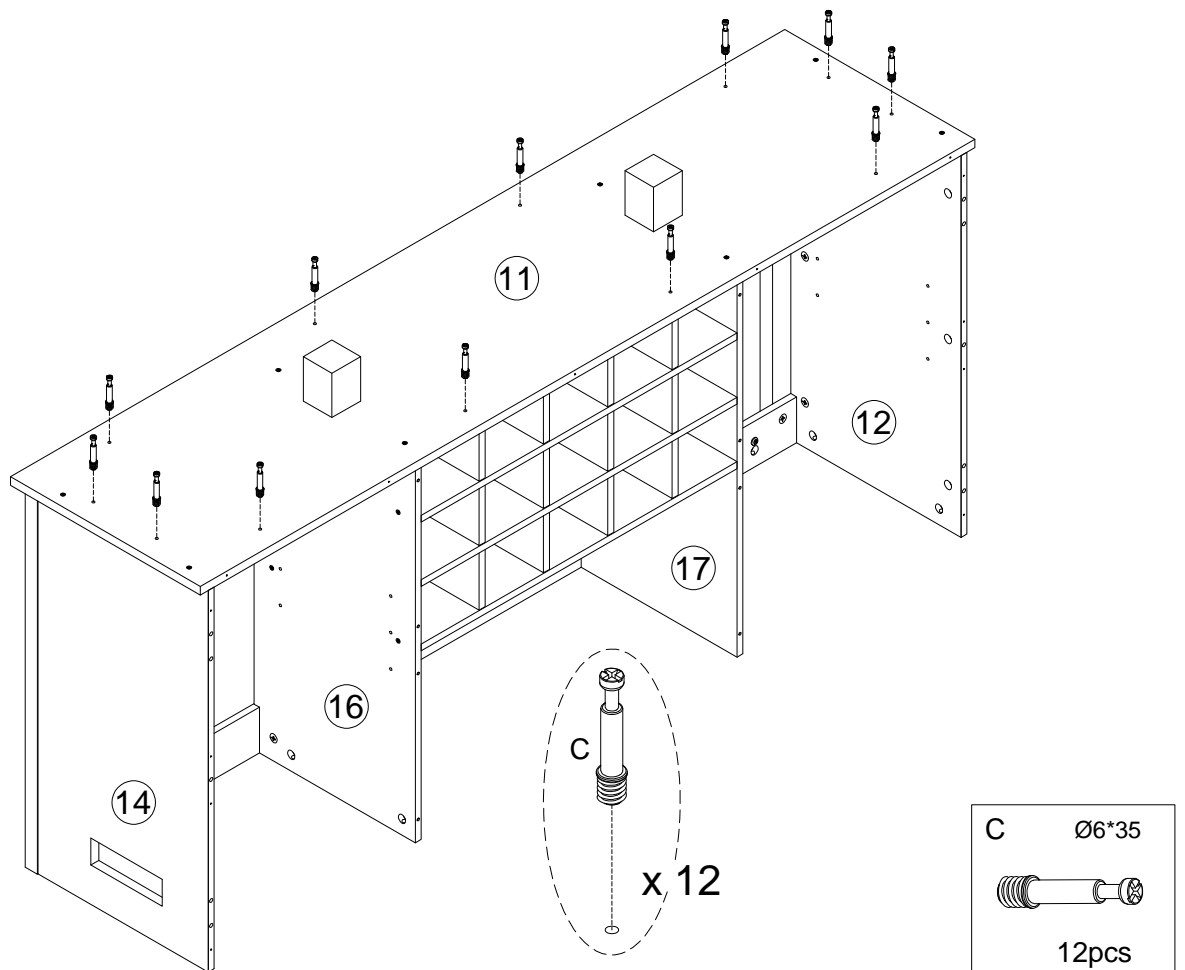


21

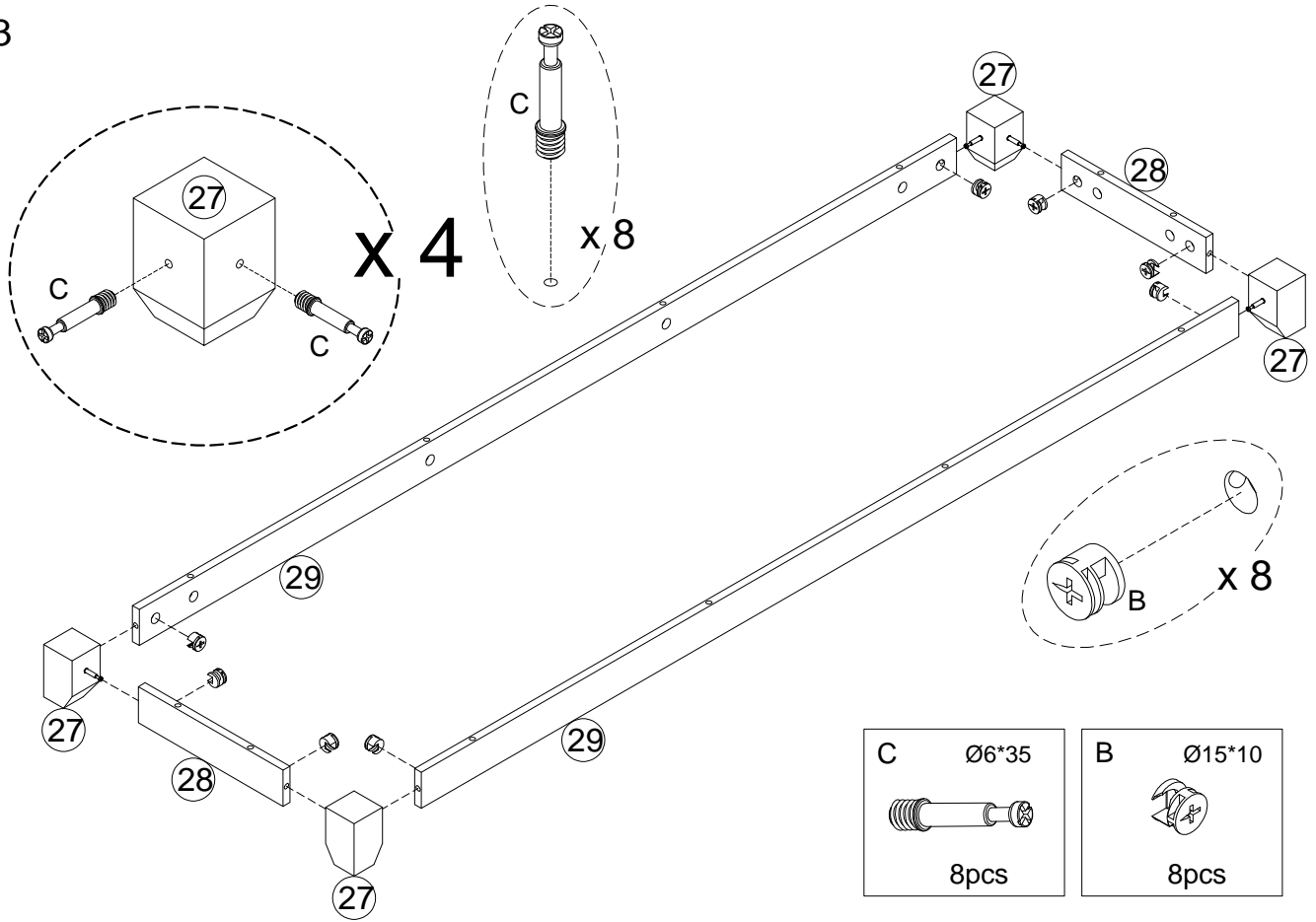
Set the holes in order, assemble them in place, and then lock the plate



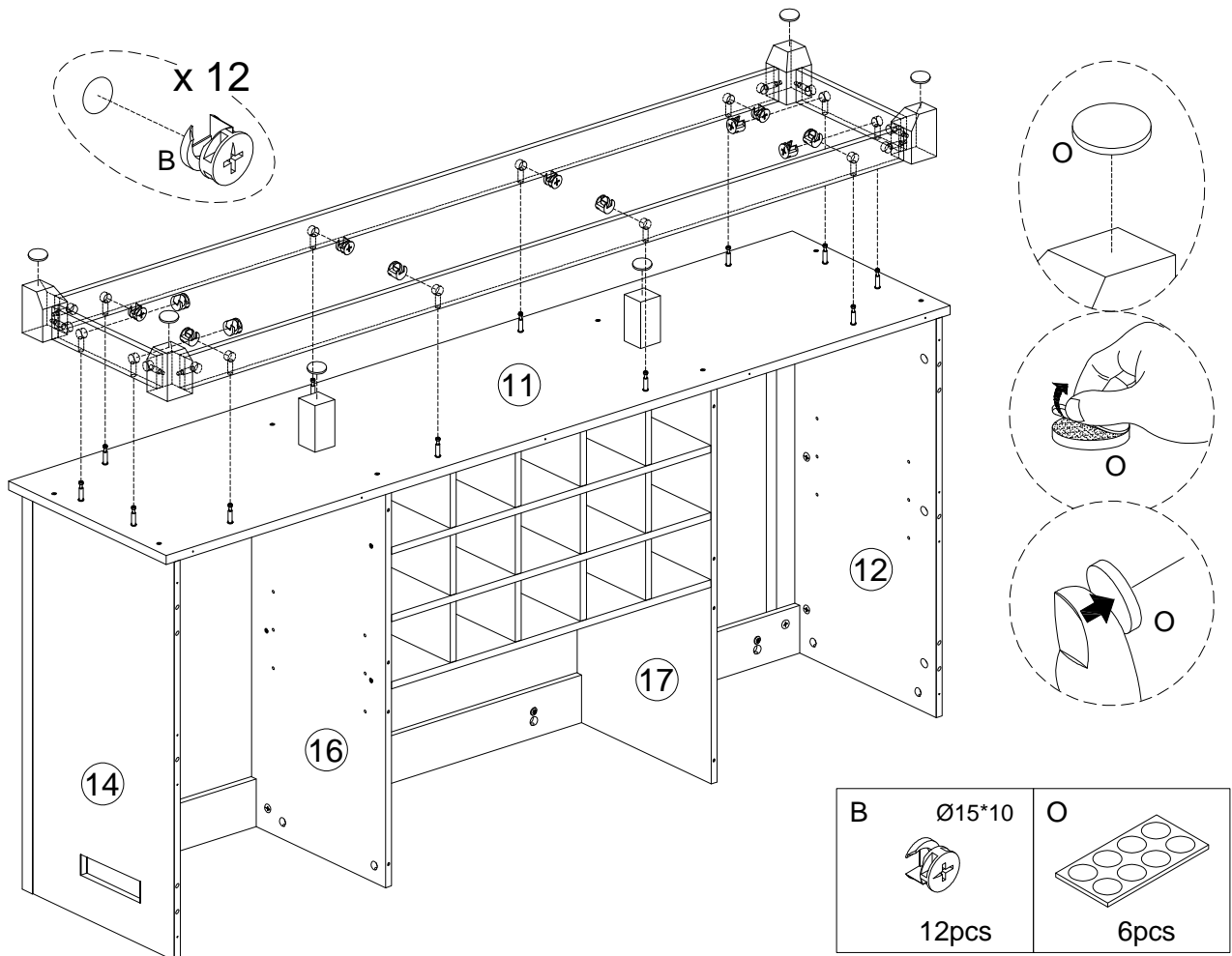
22



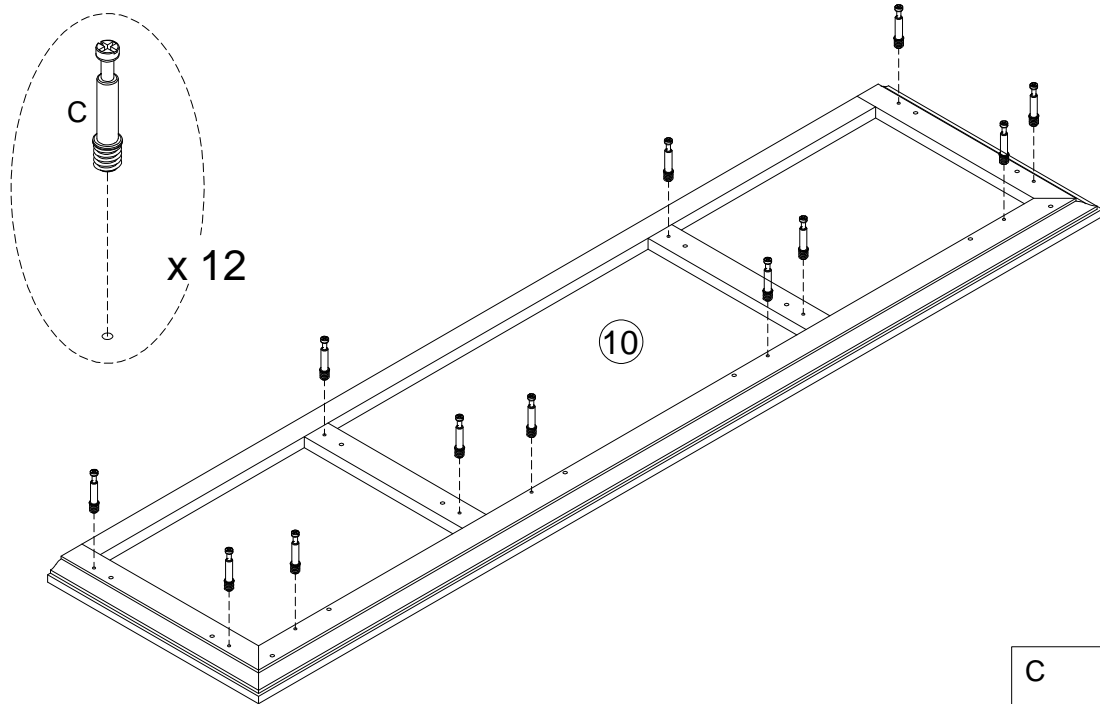
23

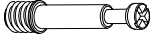


24

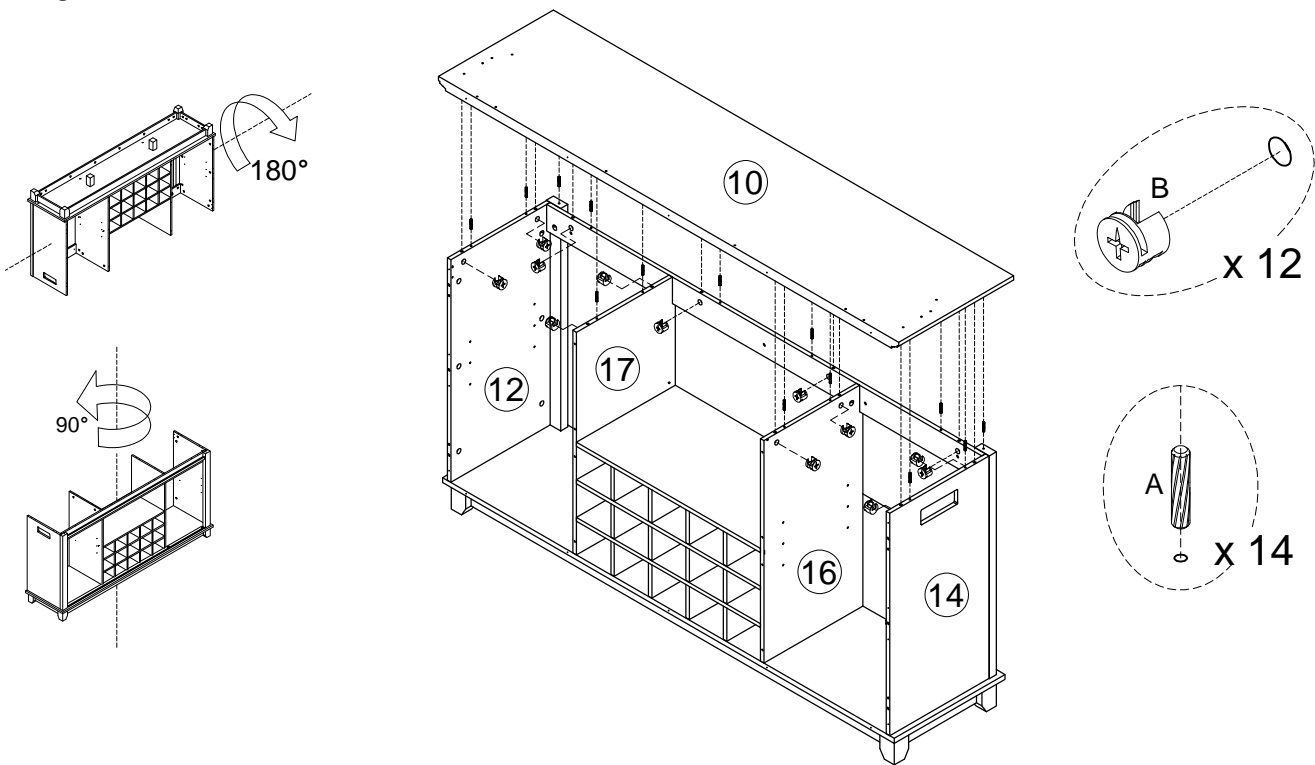




25



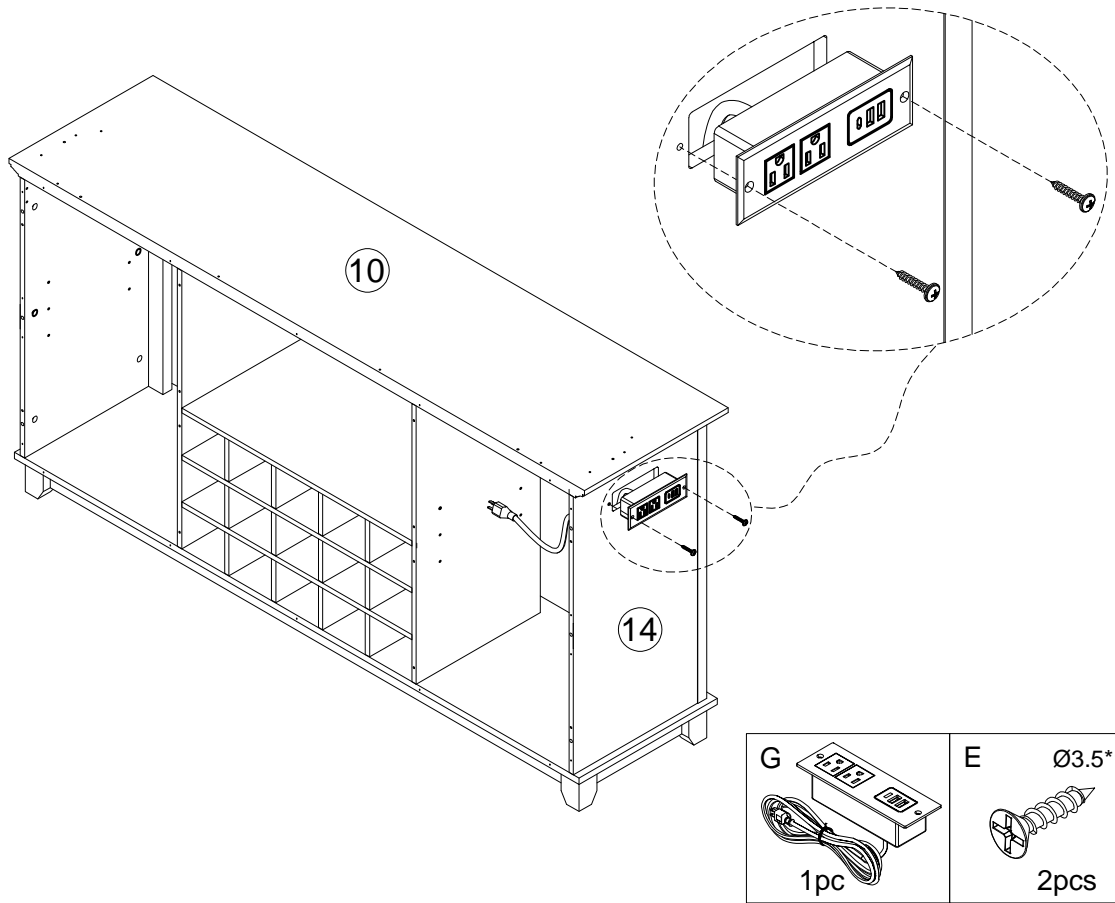
C	Ø6*35
	
12pcs	

26

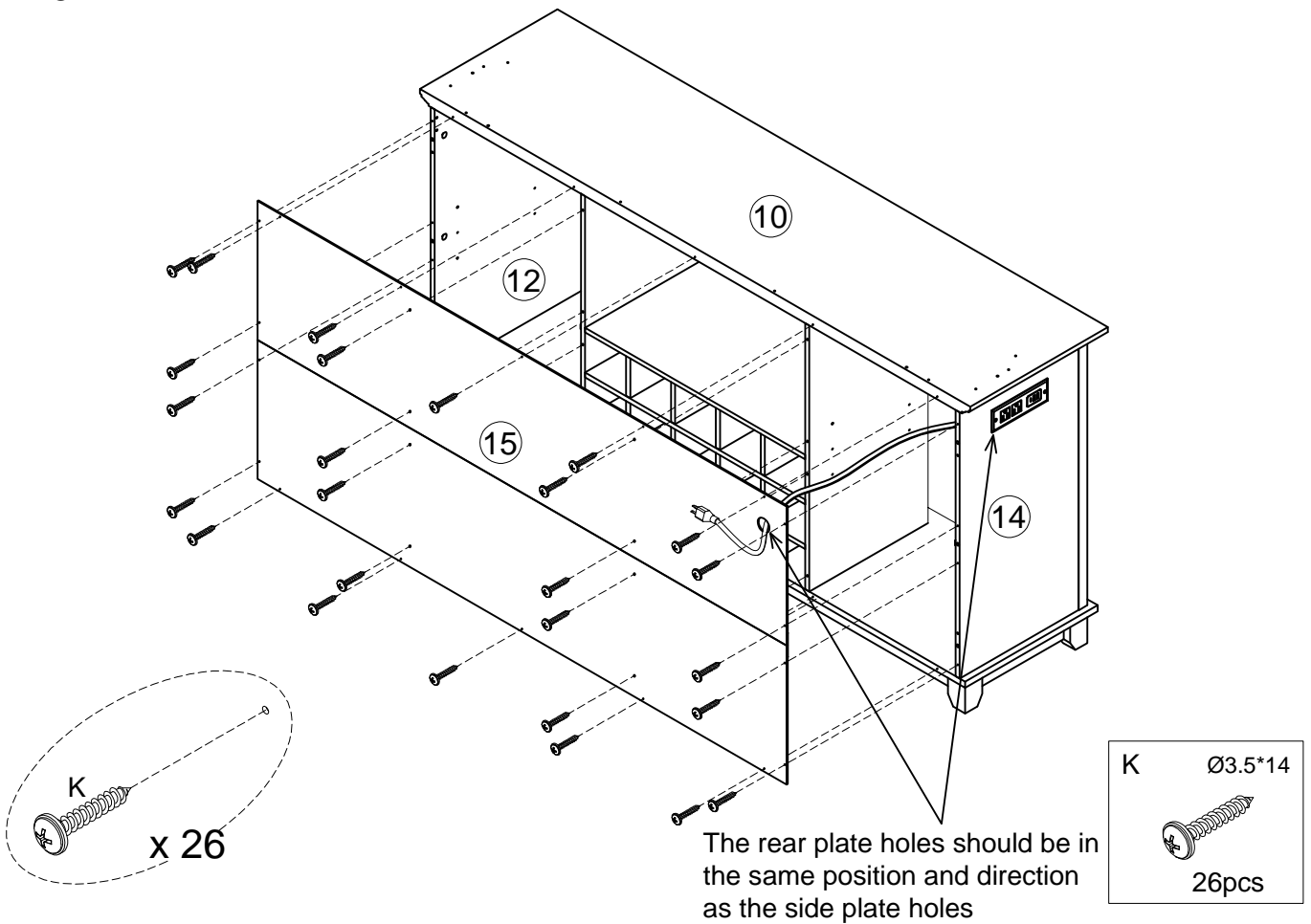


A	Ø6*30	B	Ø15*10
			
14pcs		12pcs	

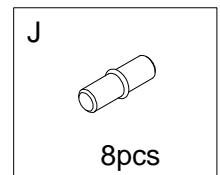
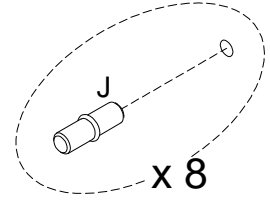
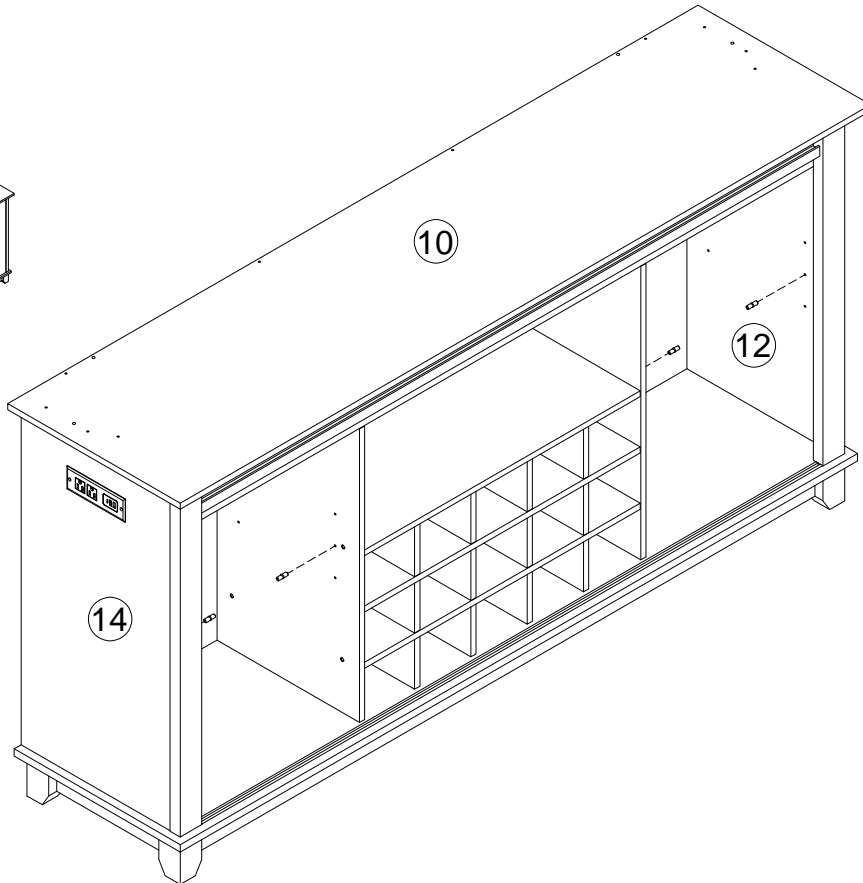
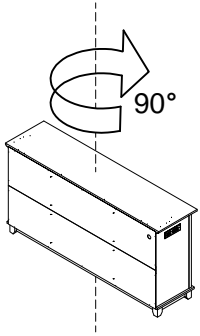
27



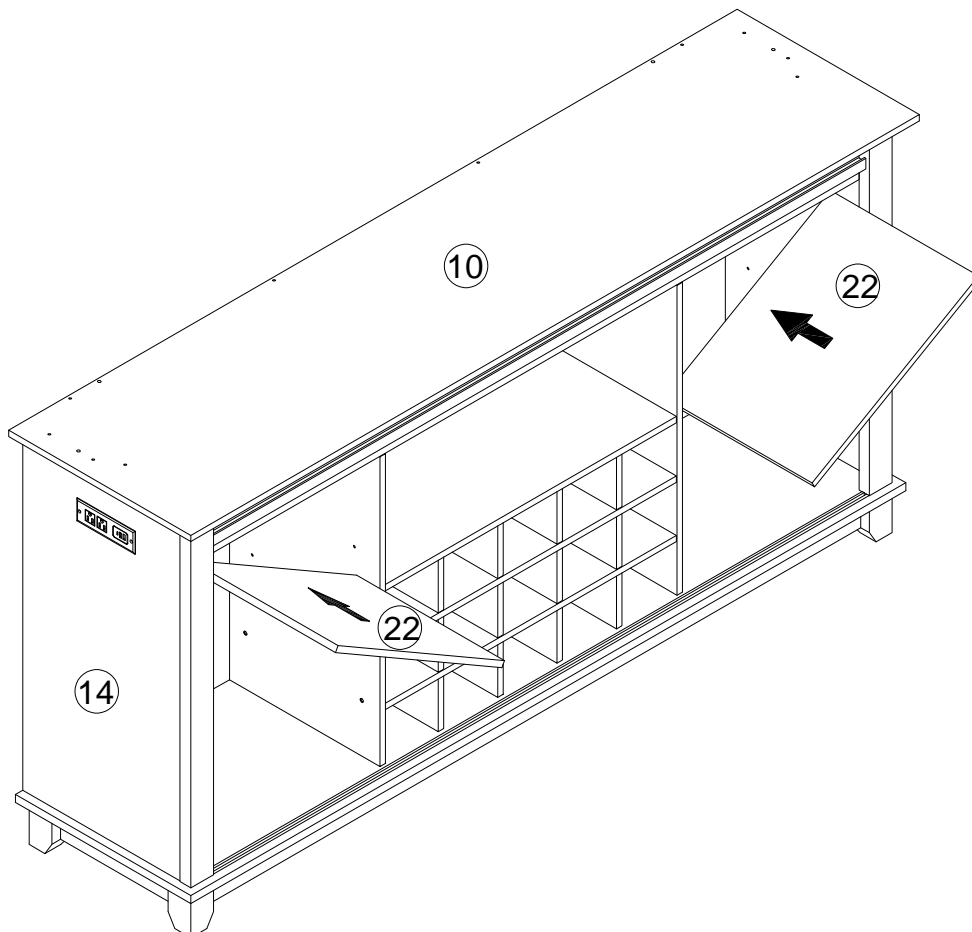
28



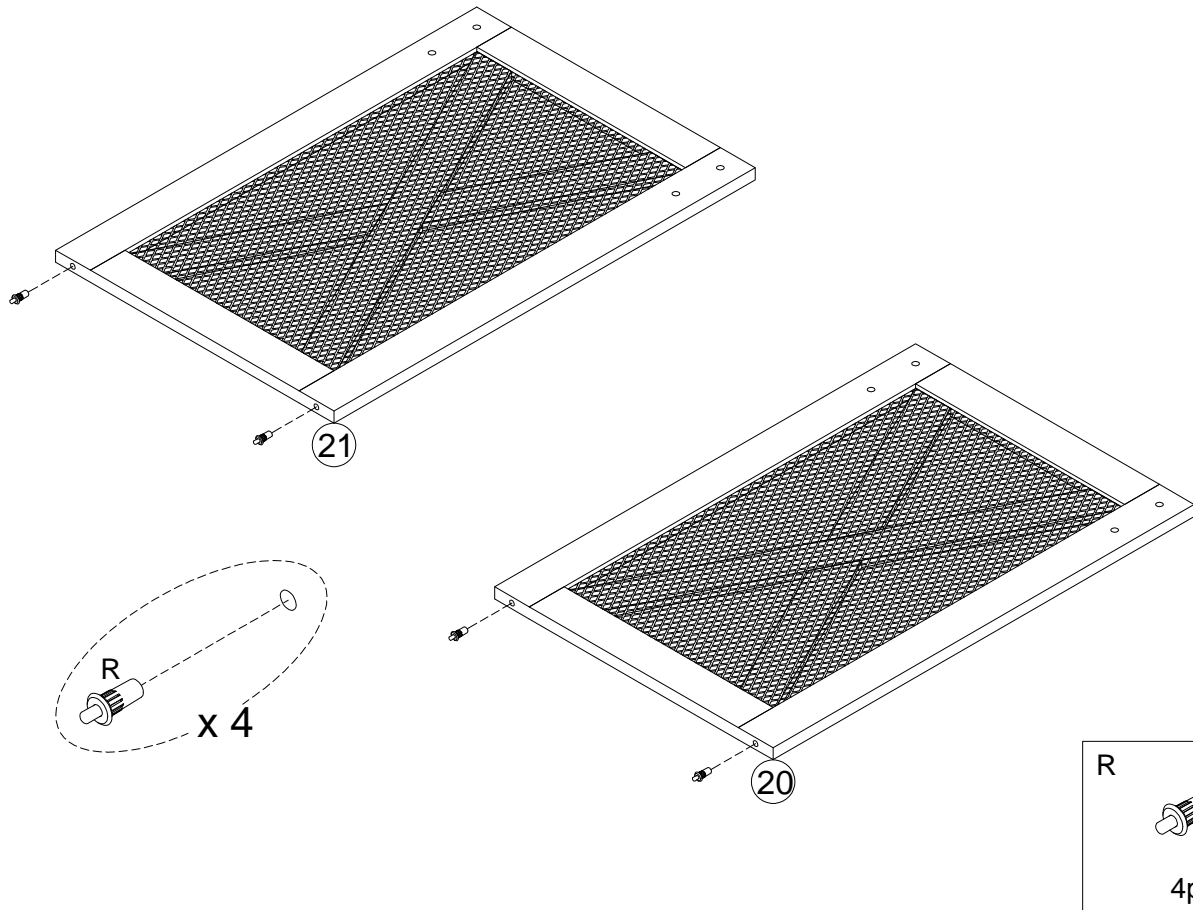
29



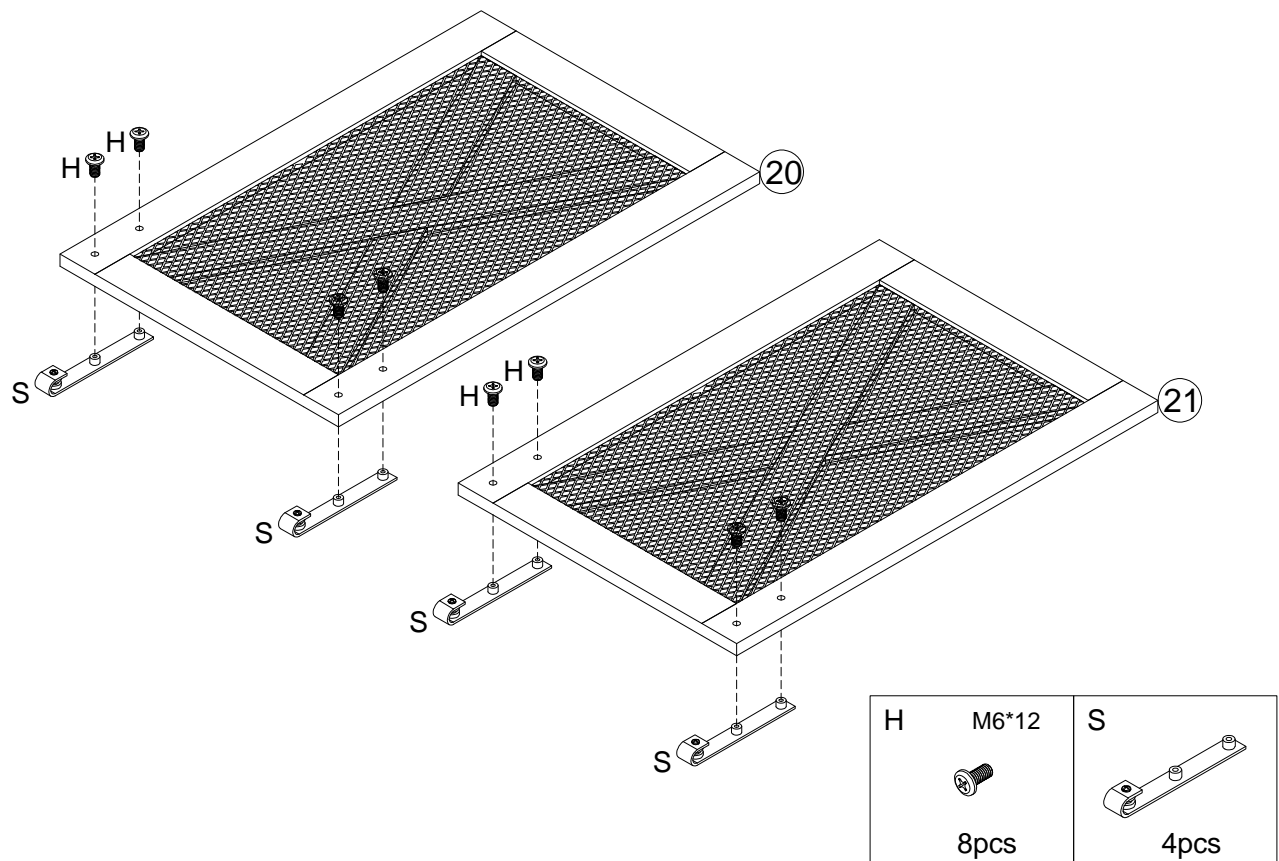
30



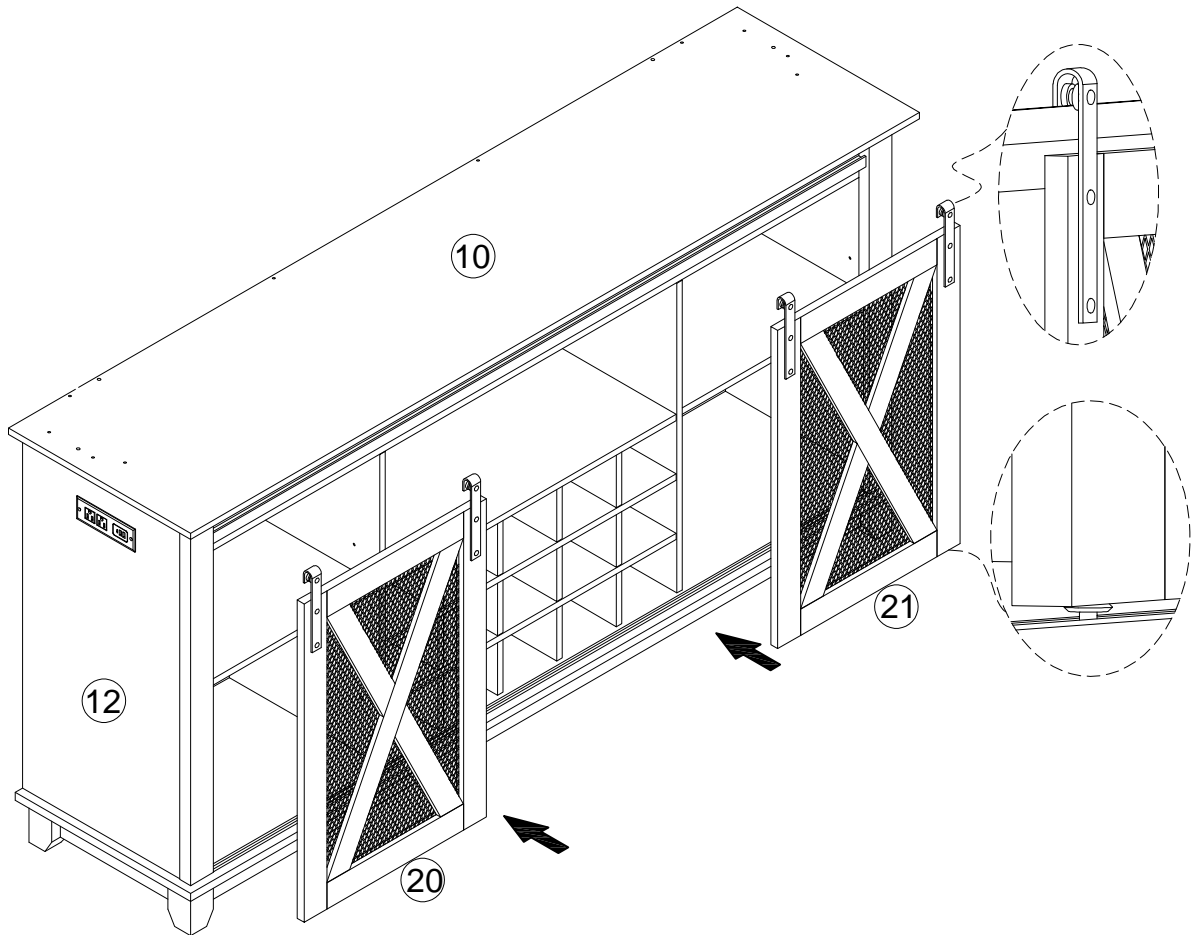
31



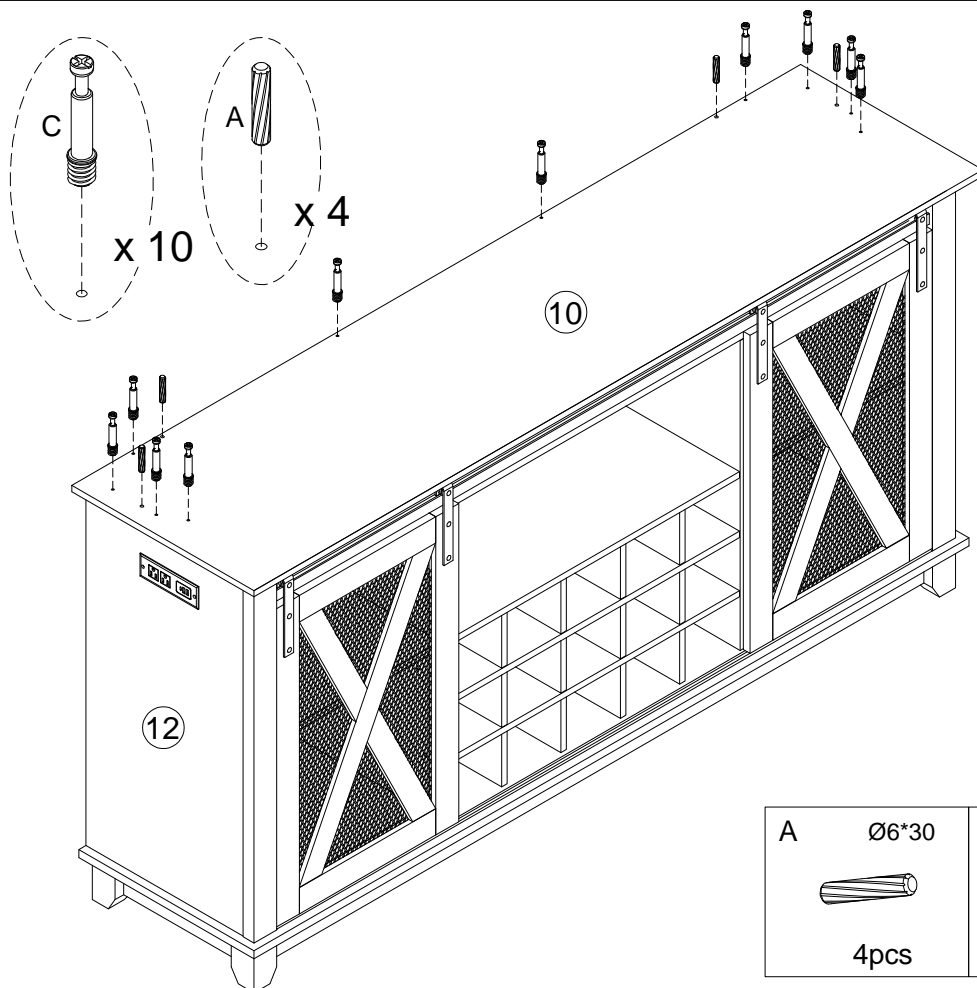
32

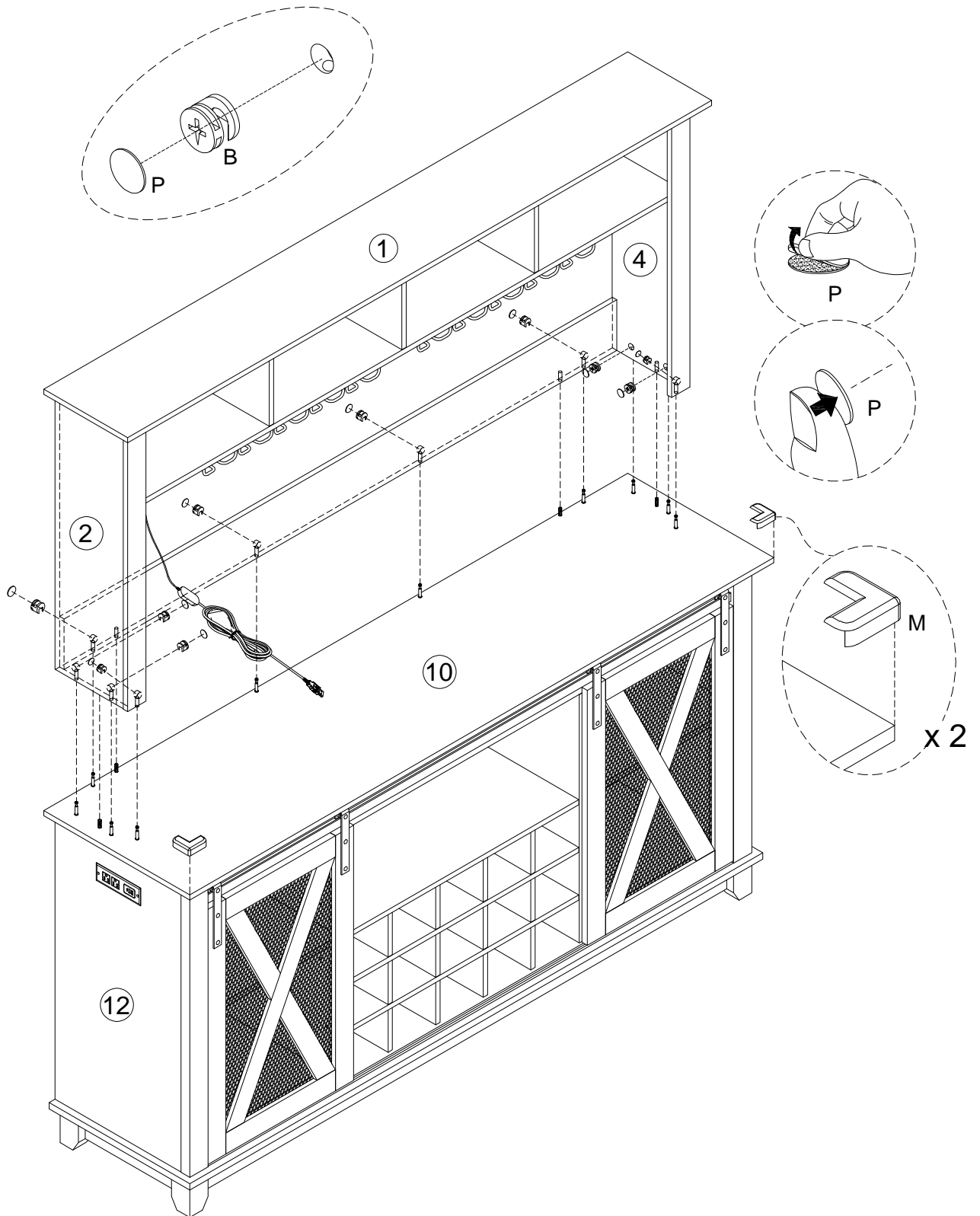



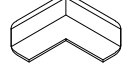

33



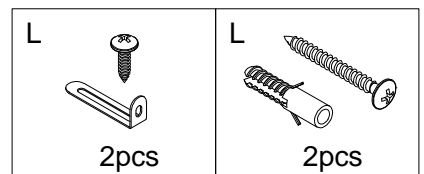
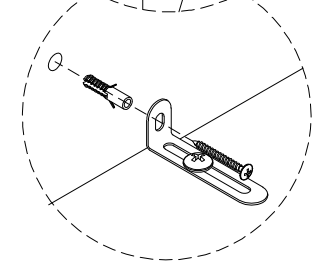
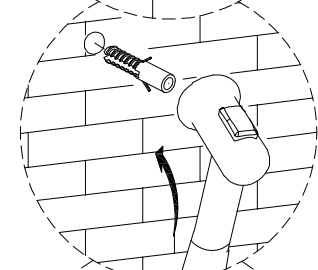
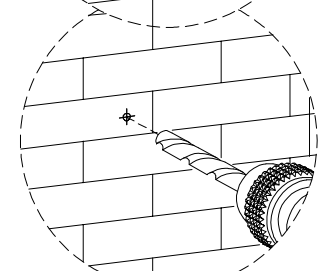
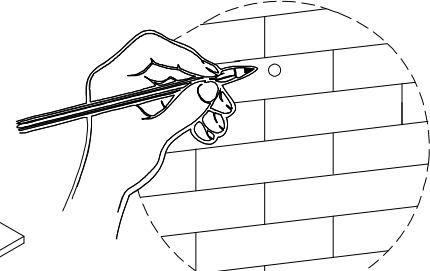
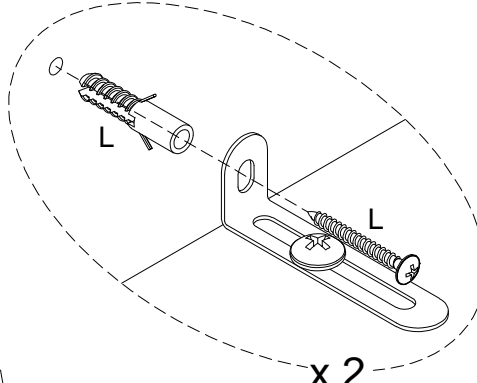
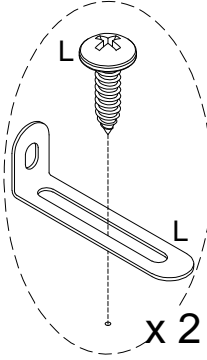
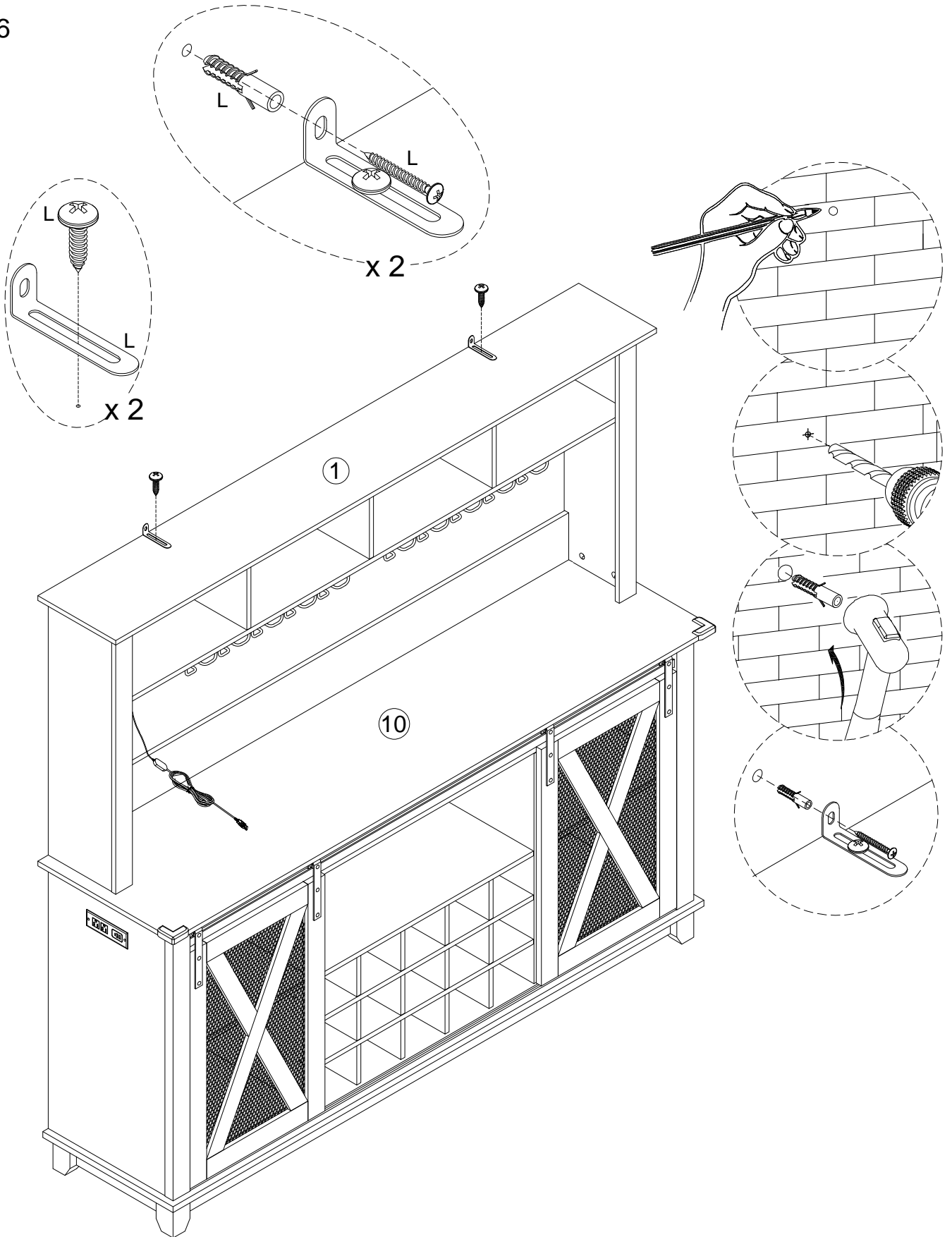
34

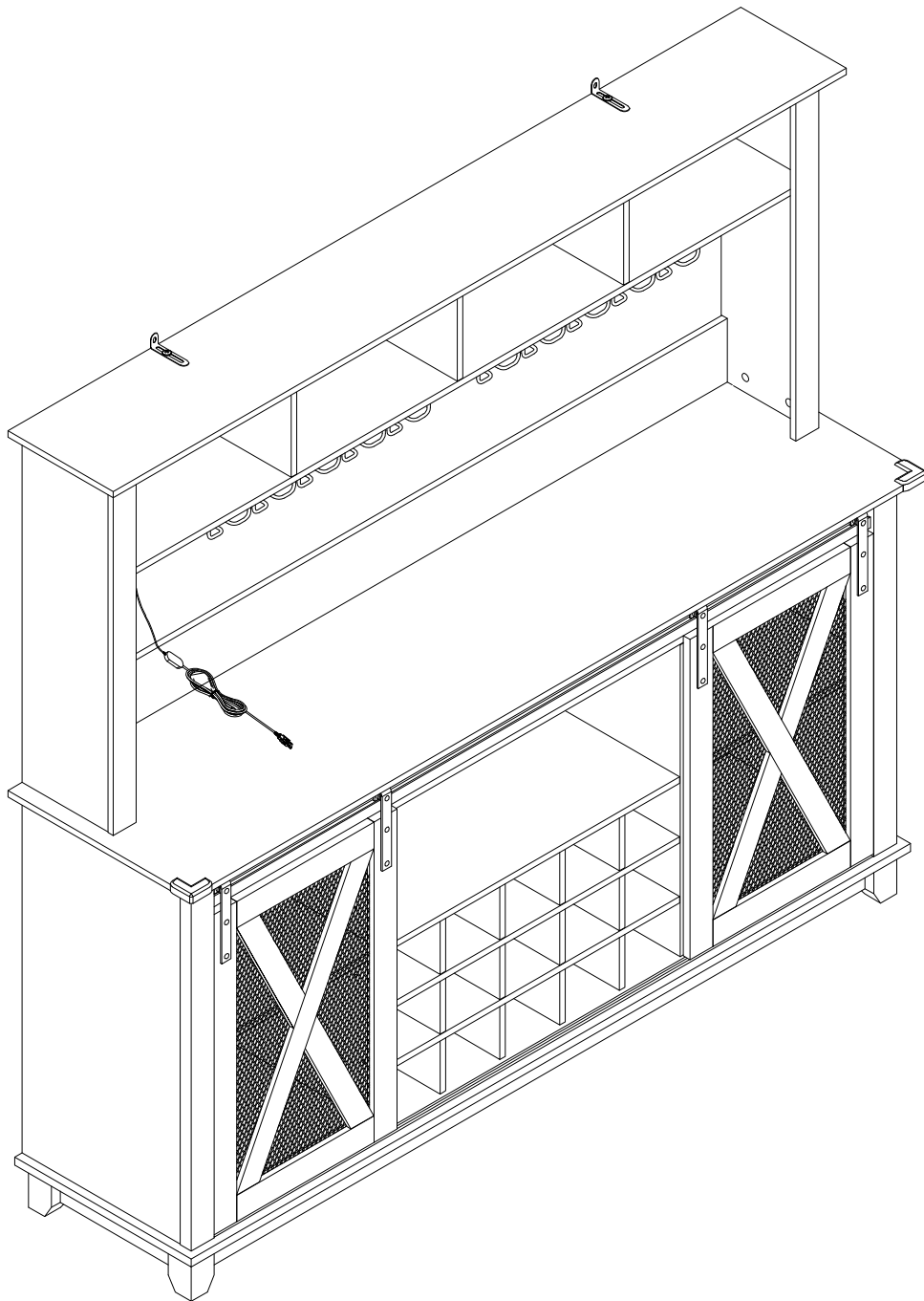




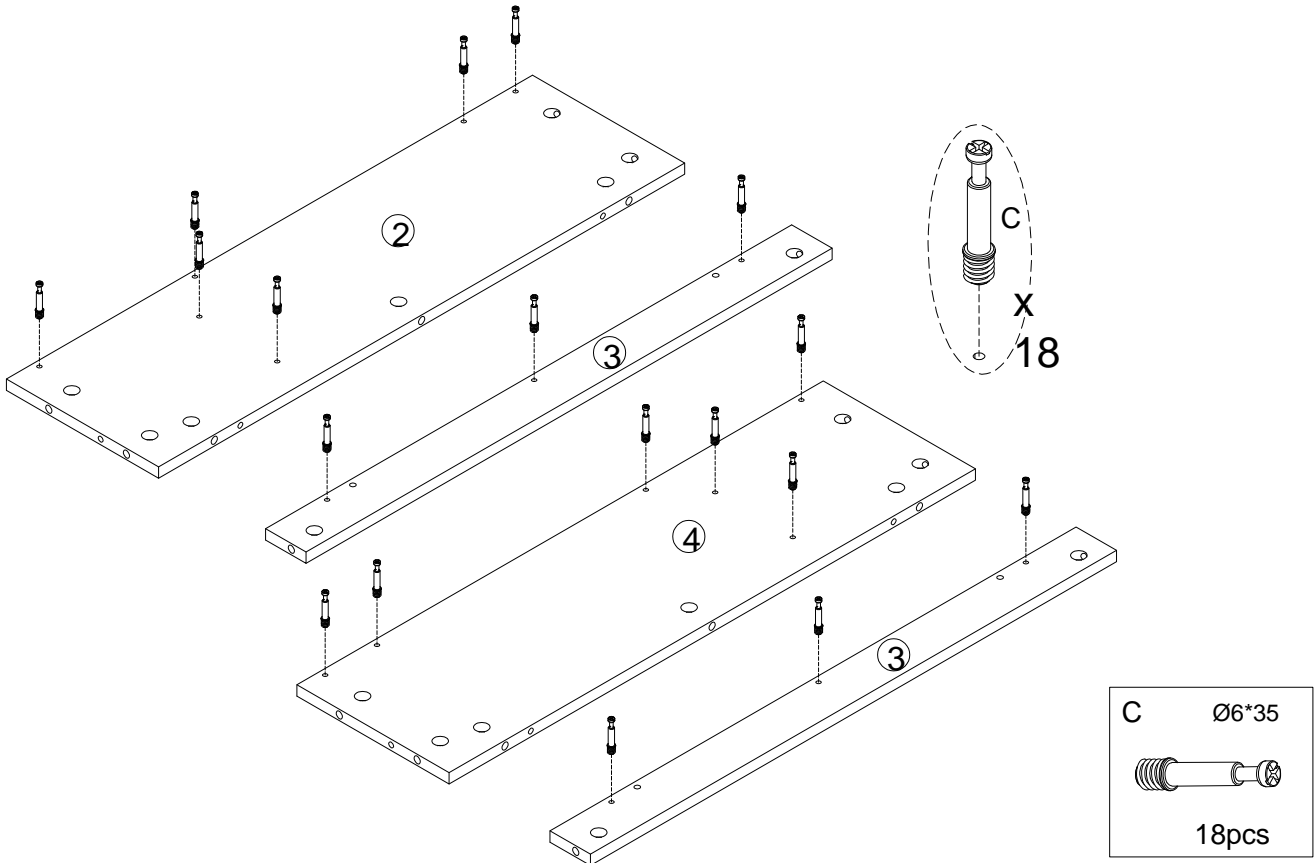
<p>B Ø15*10</p>  <p>10pcs</p>	<p>M</p>  <p>2pcs</p>	<p>P</p>  <p>86pcs</p>
---	--	---

36

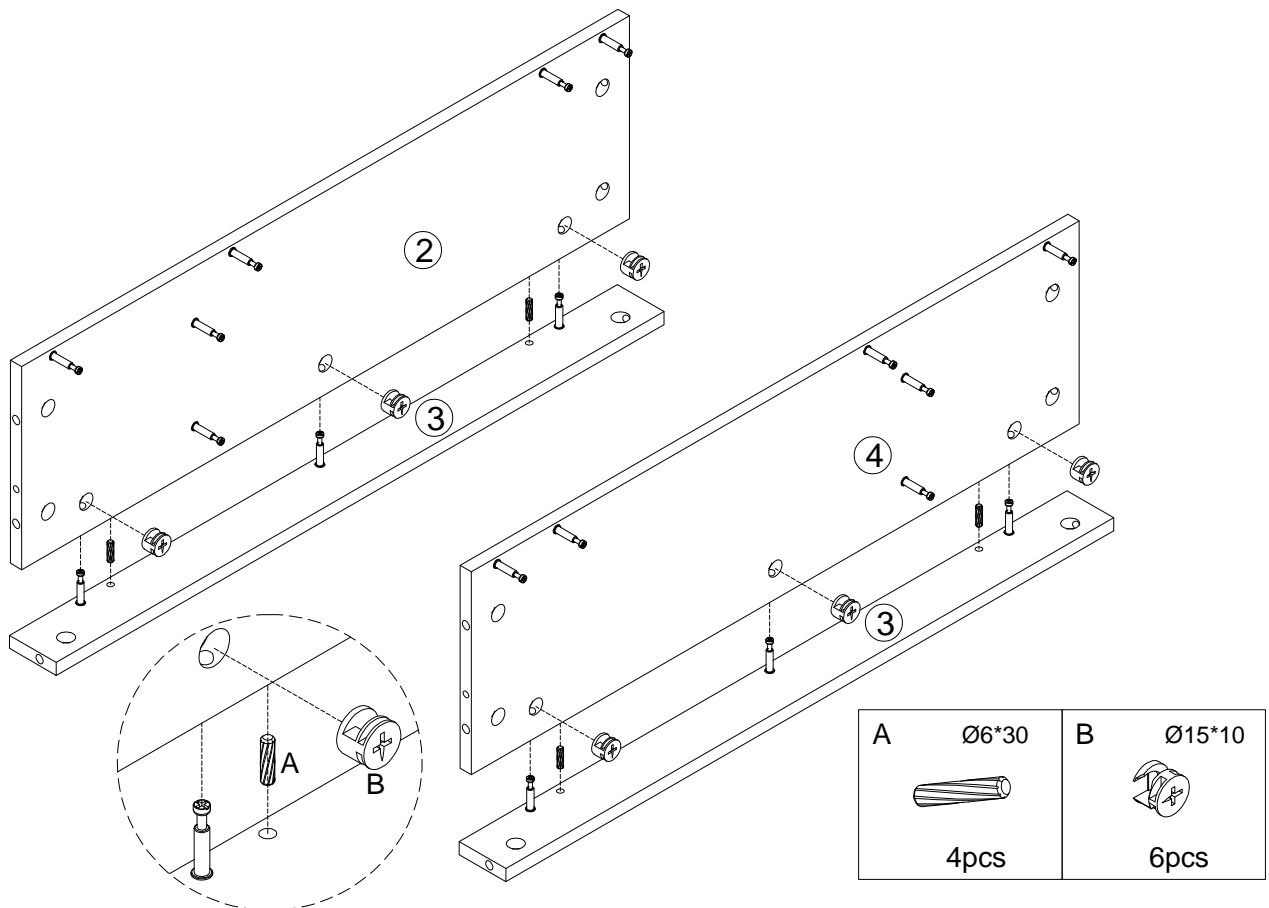




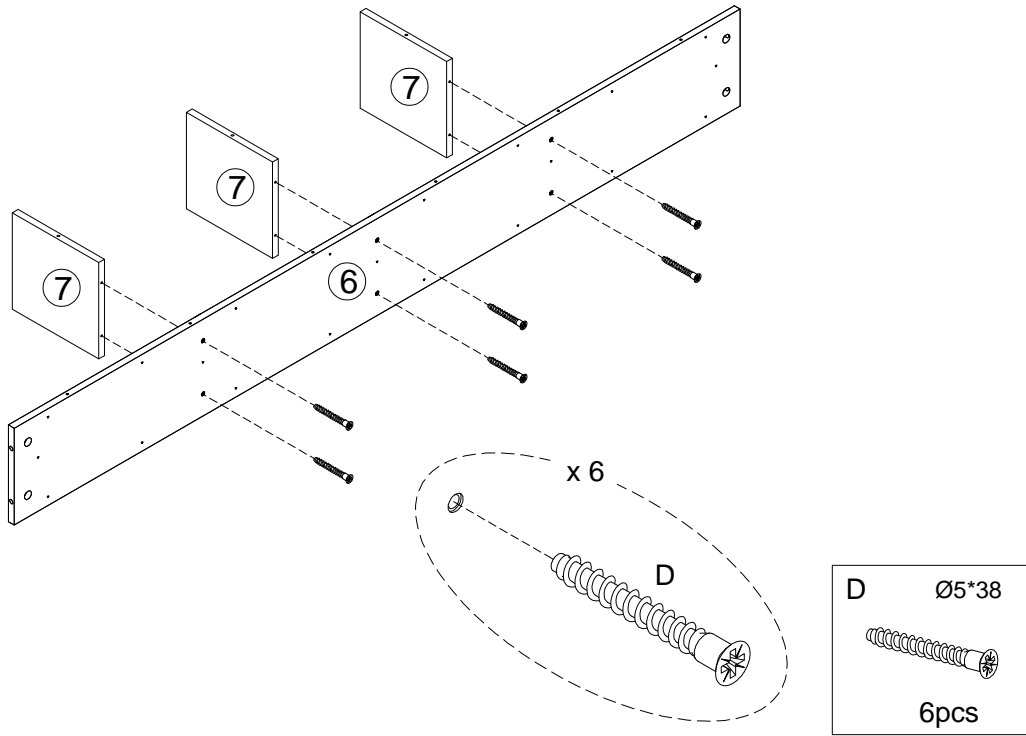
1 (Following the steps to mount the outlet on other side of the unit.)



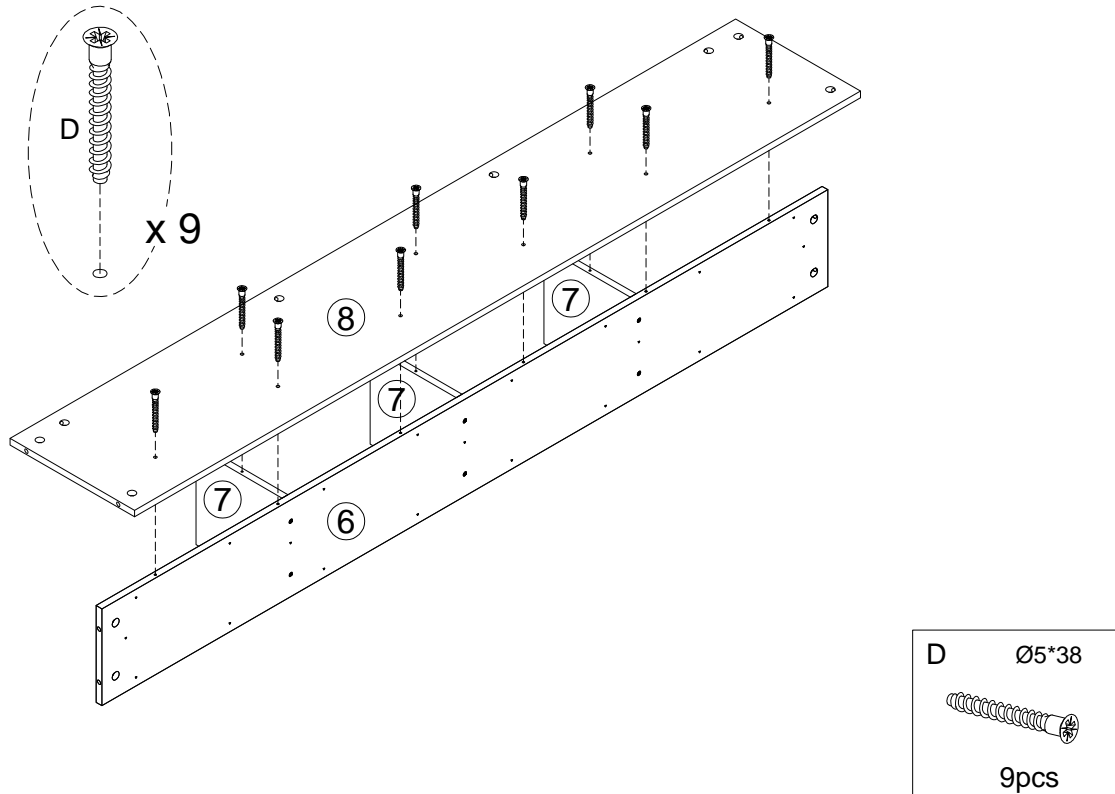
2



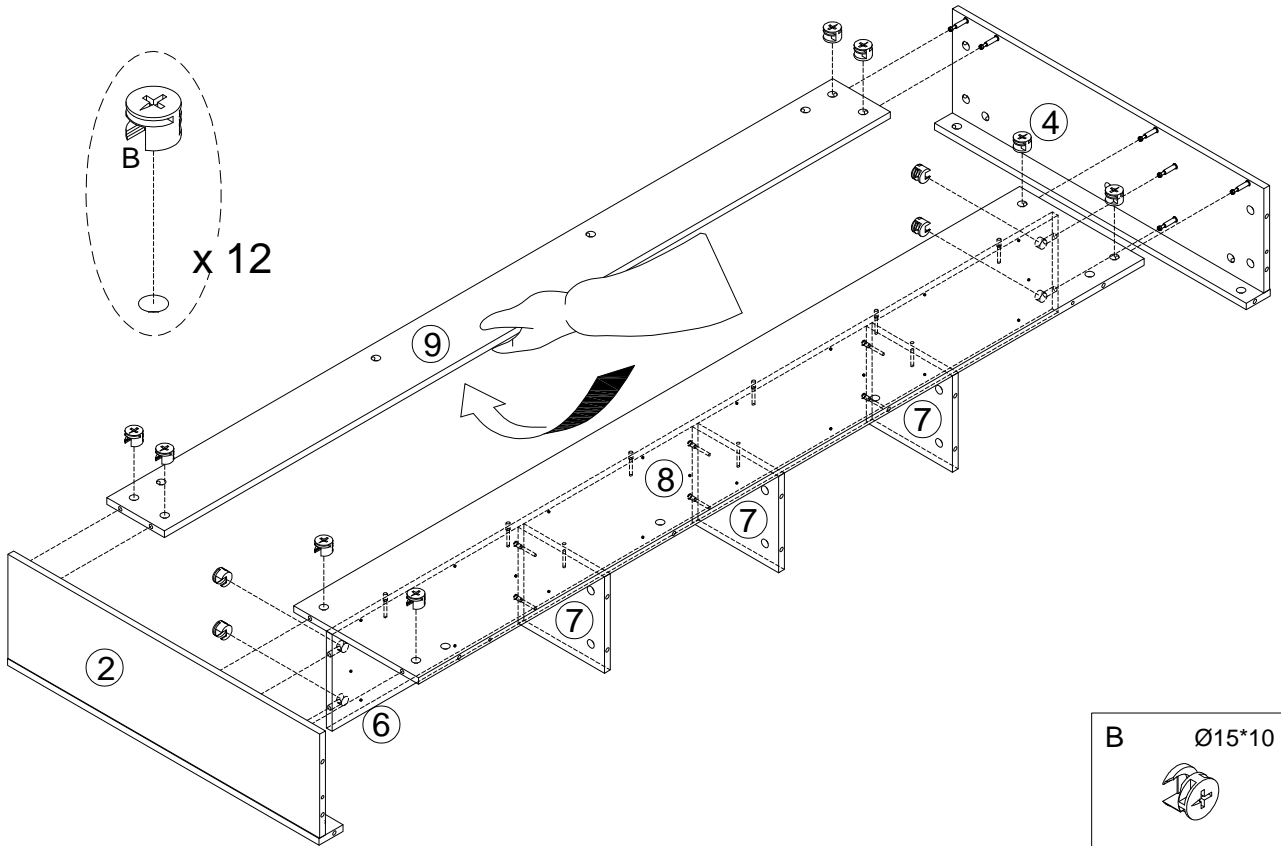
3




4



5

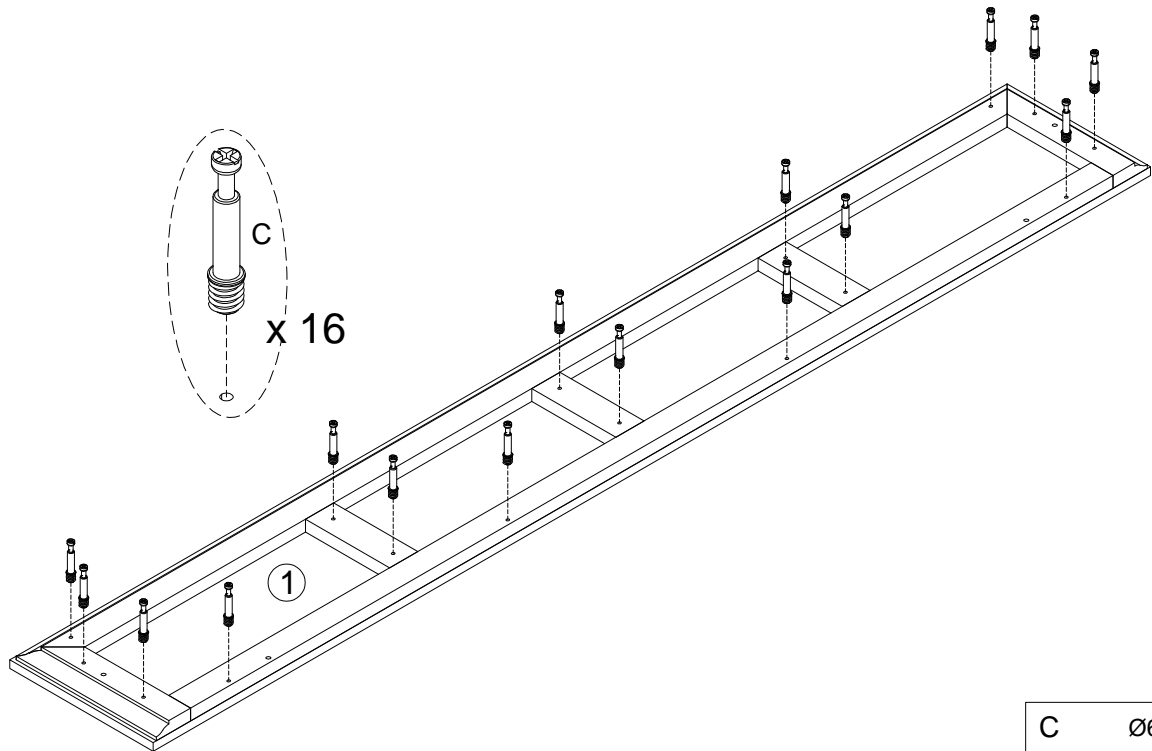


B Ø15*10




12pcs

6

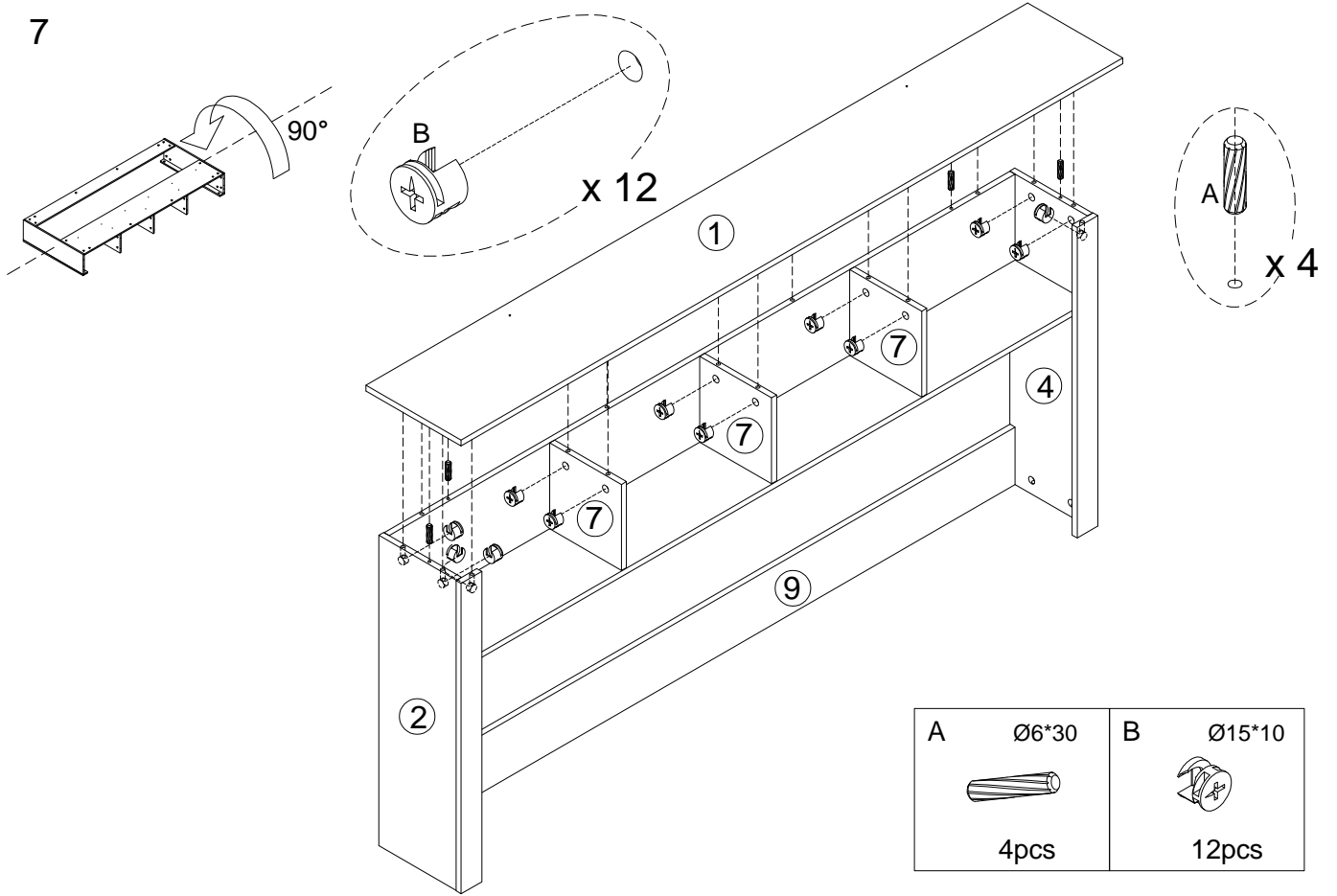


C Ø6*35

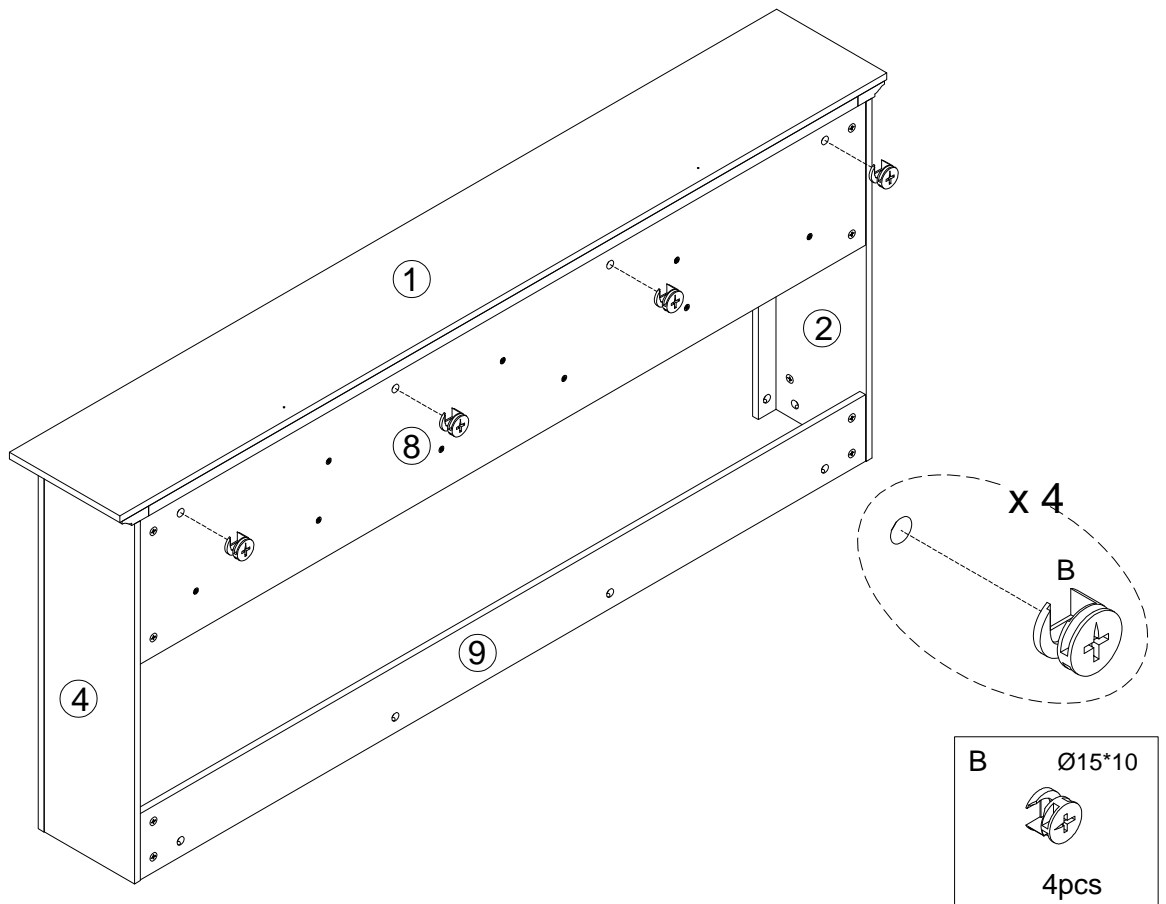


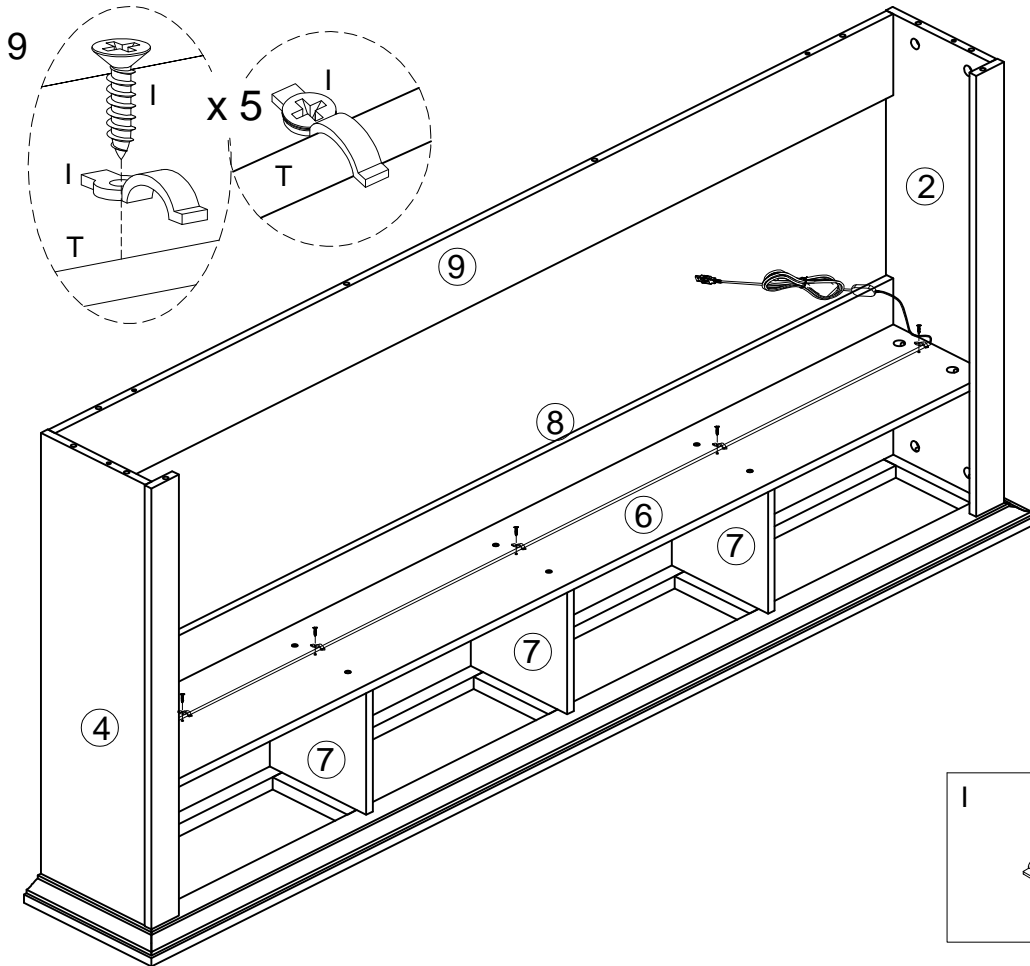
16pcs

7

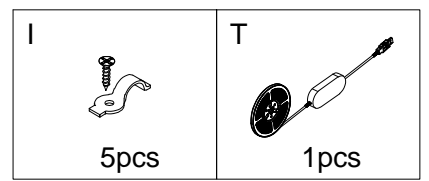


8



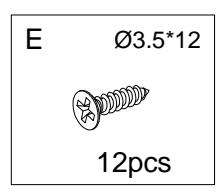
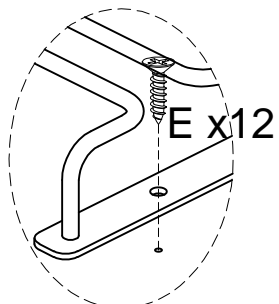
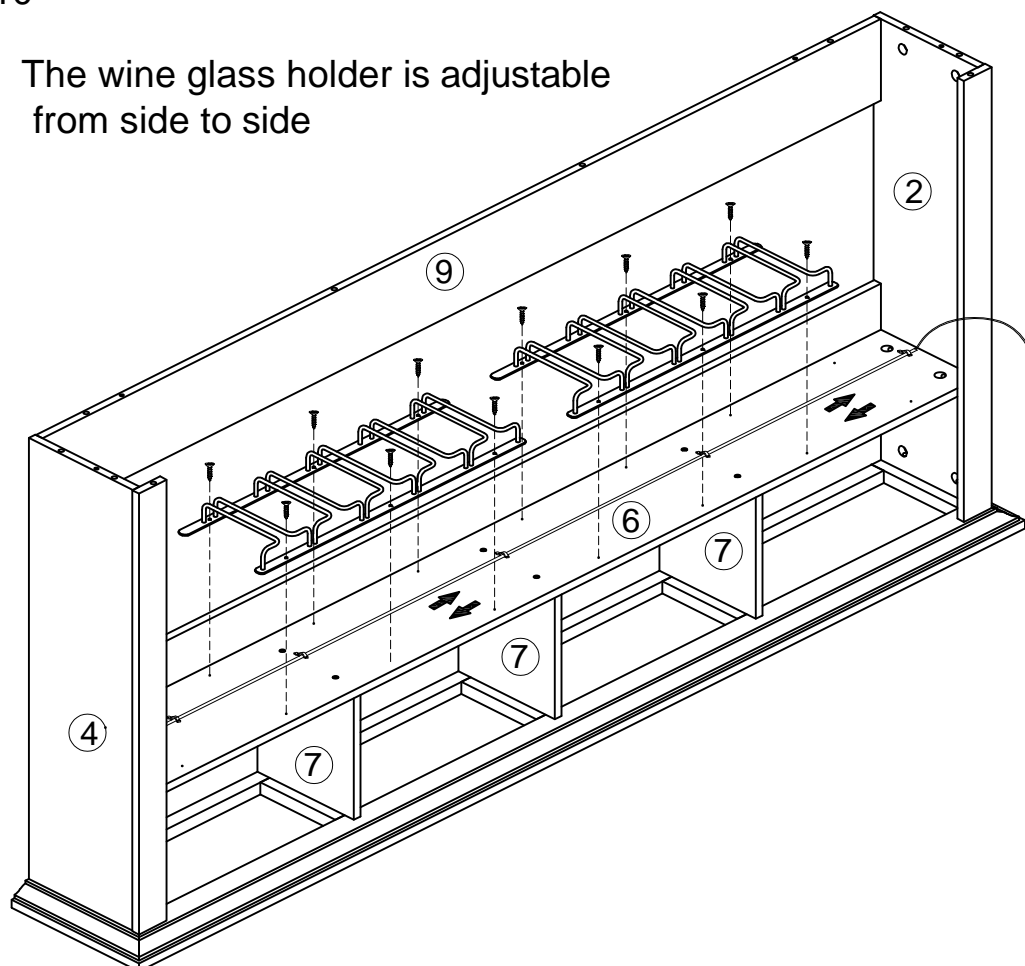


Select the installation direction of the LED USB port based on the socket position

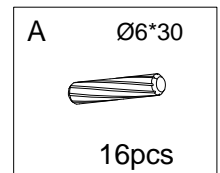
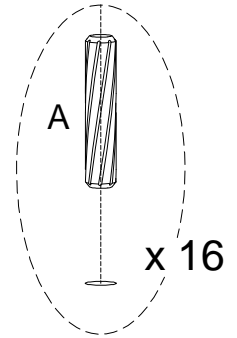
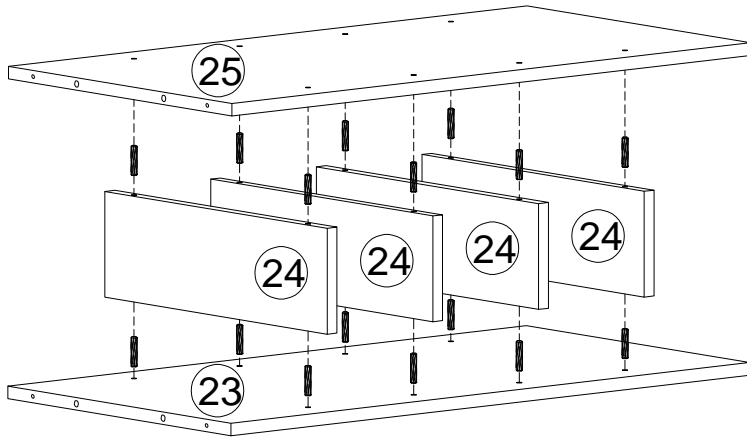


10

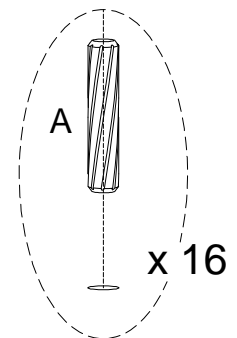
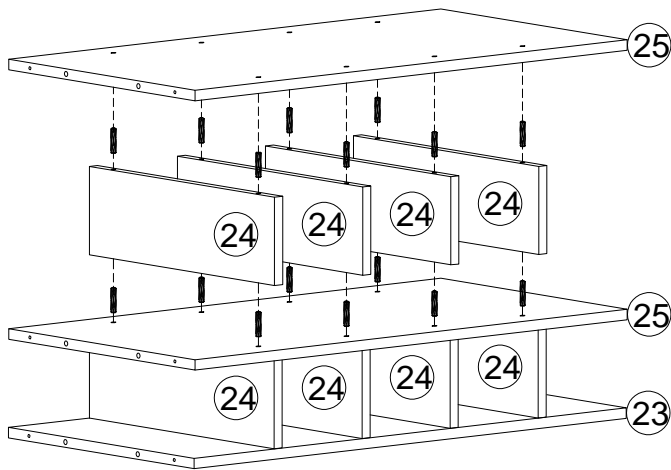
The wine glass holder is adjustable from side to side



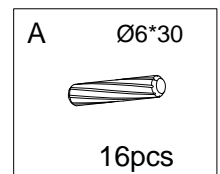
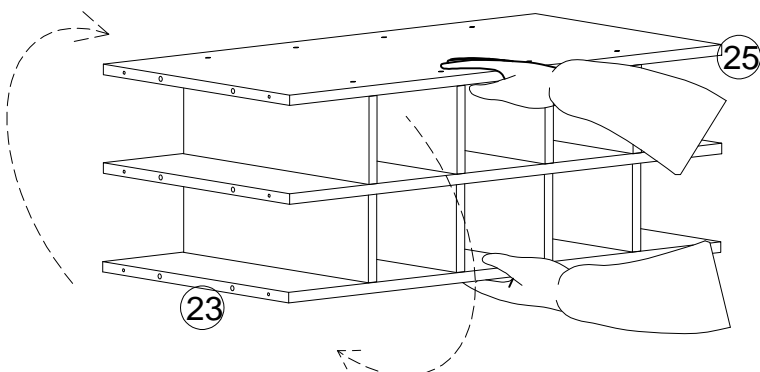
11



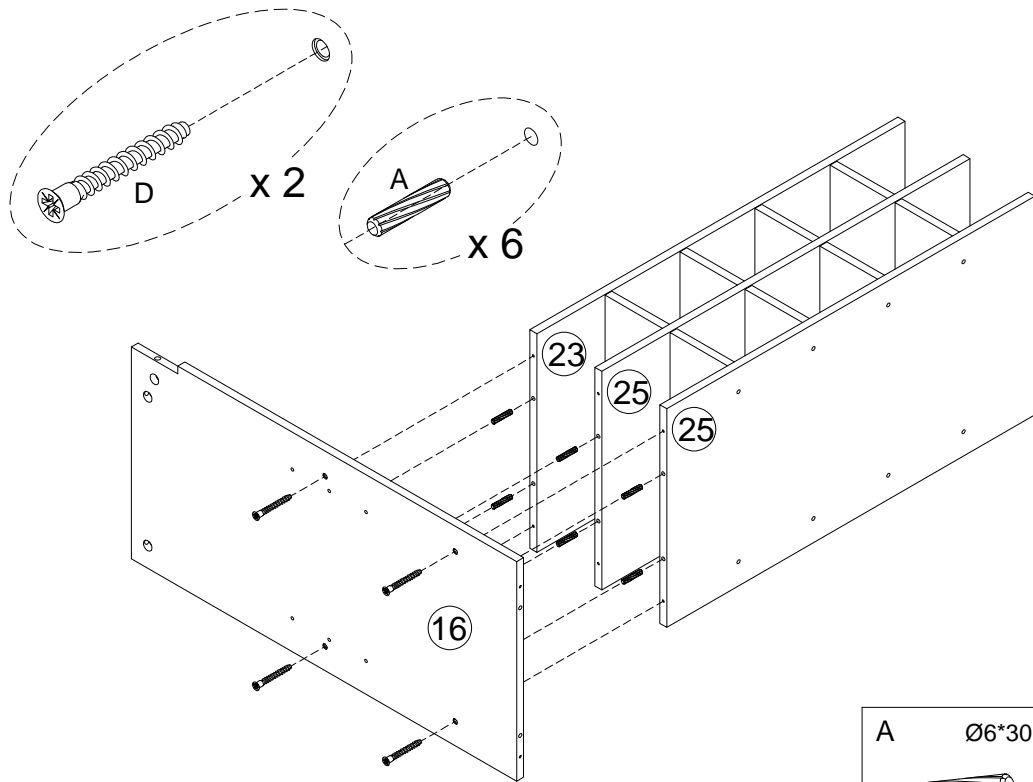
12





This step is easy to disintegrate when flipped, and requires two hands to clamp before flipping.

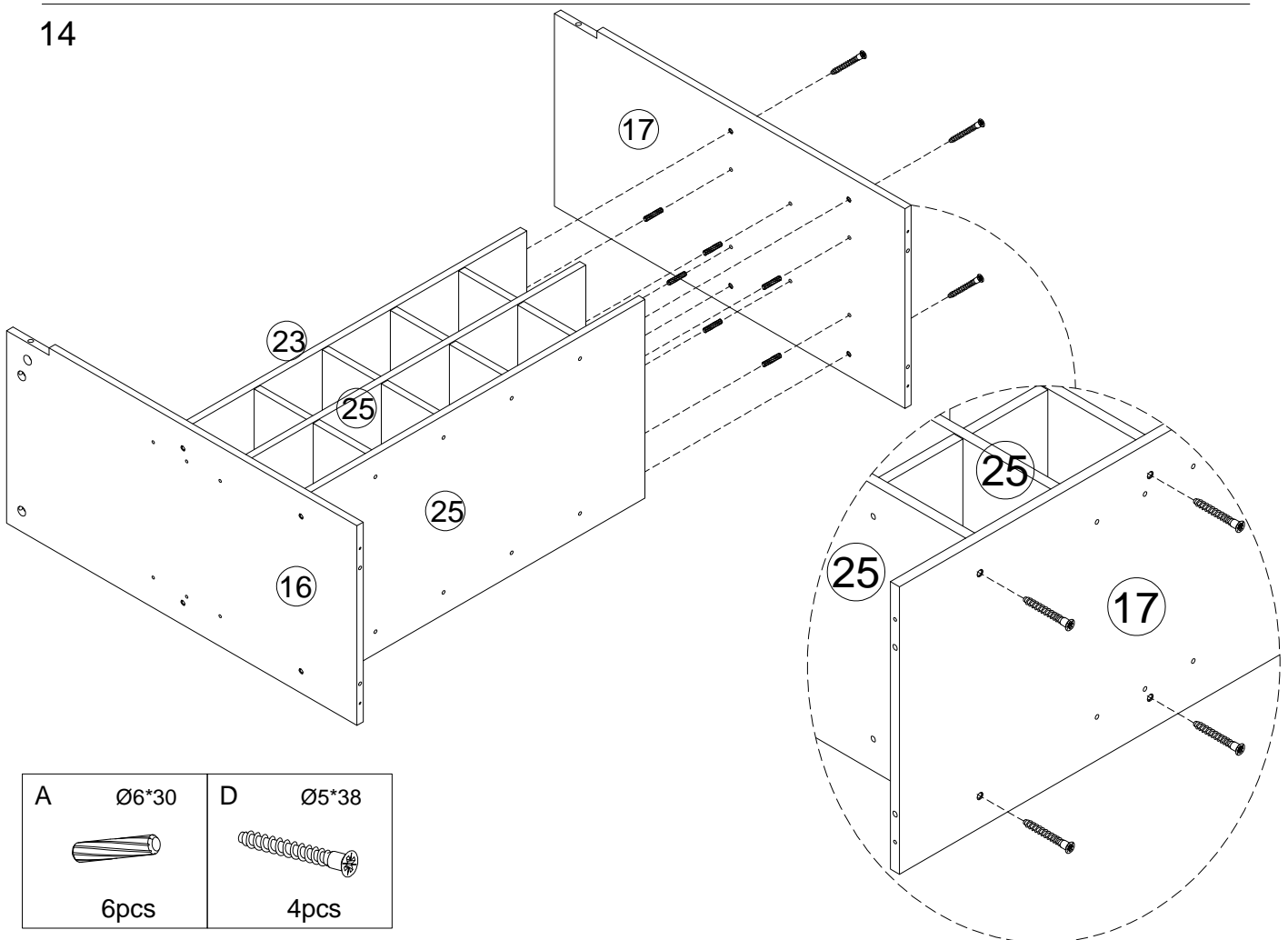




13



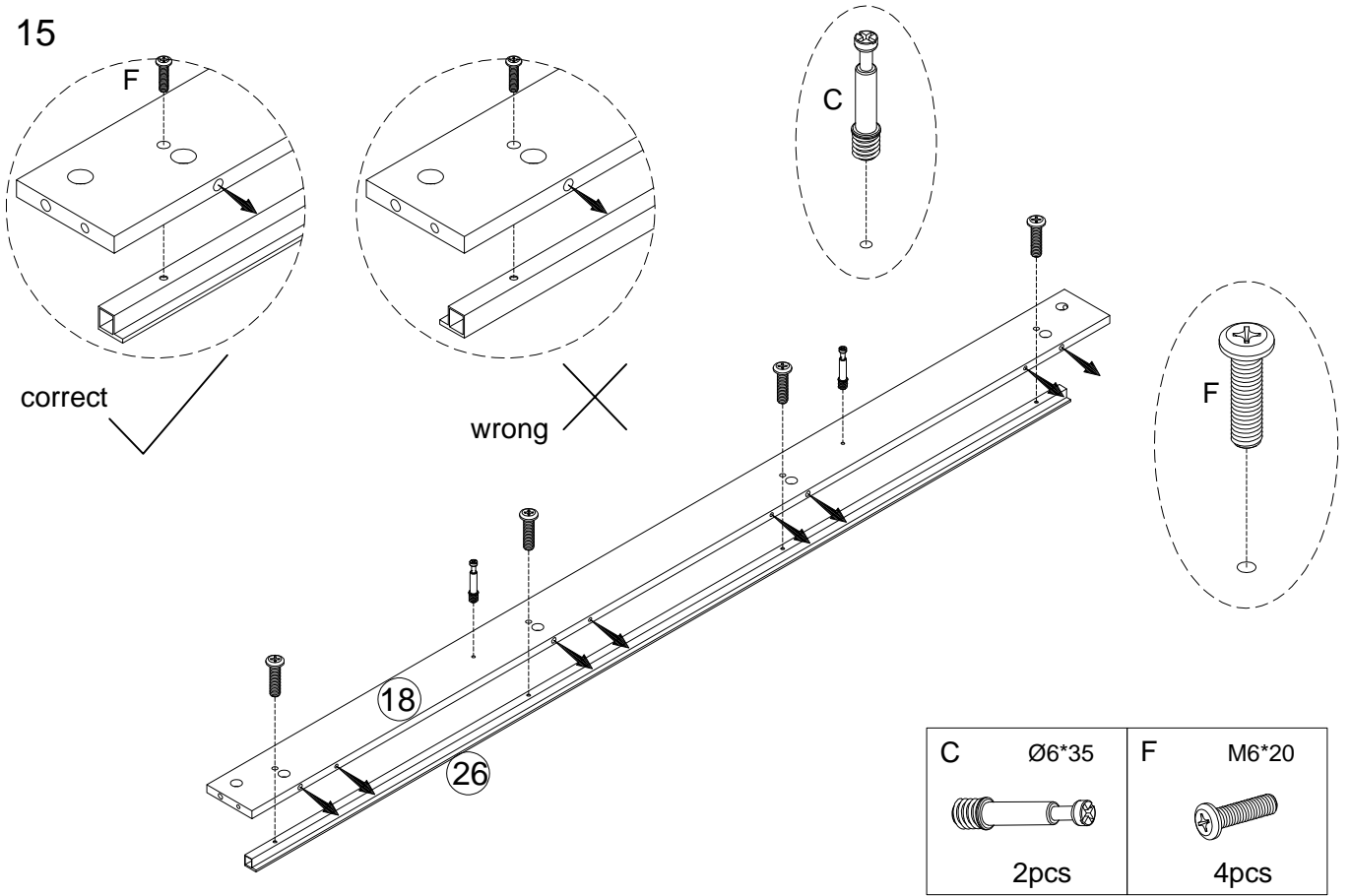
A	Ø6*30	D	Ø5*38
			
	6pcs		4pcs

14

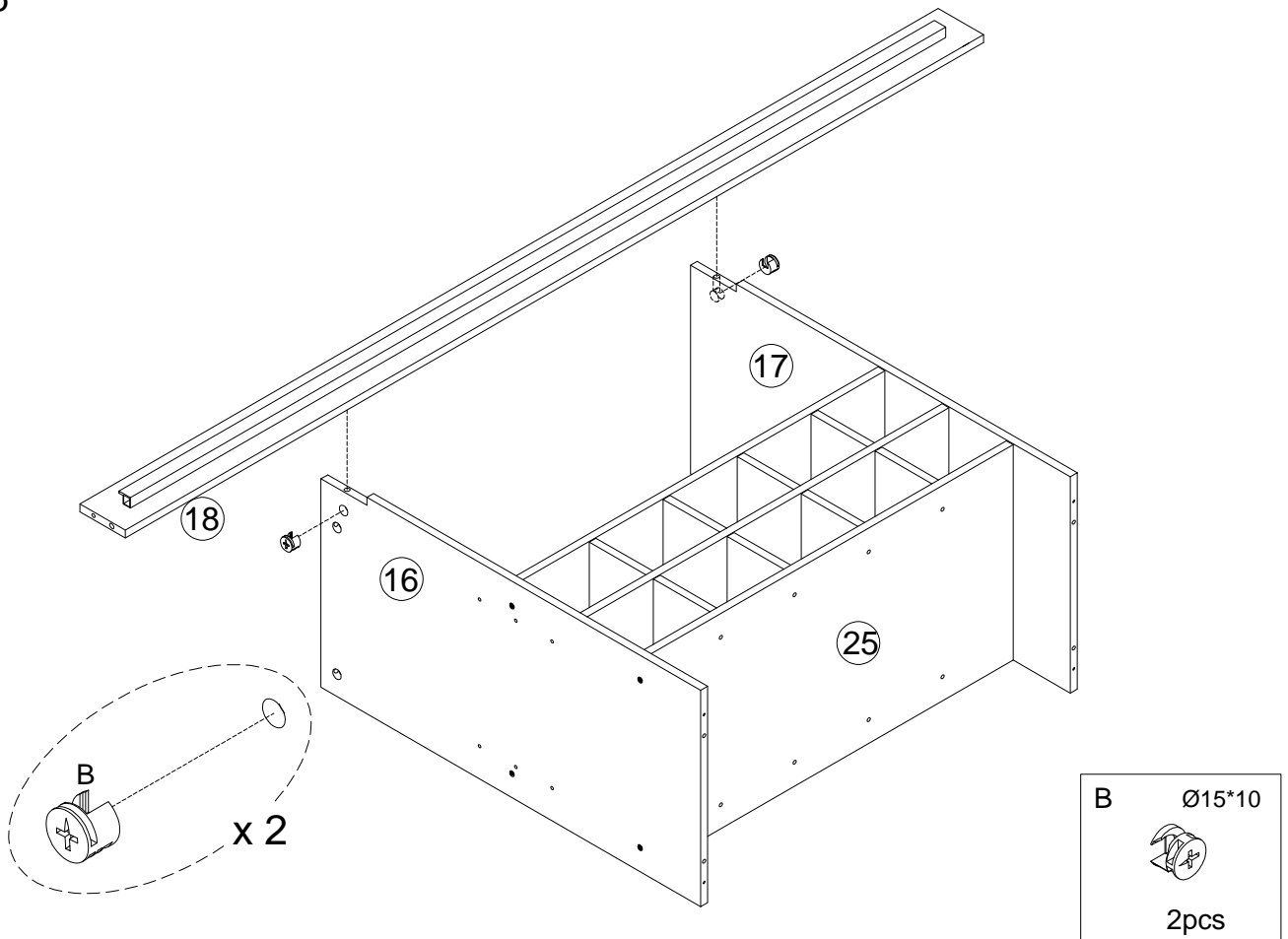


A	Ø6*30	D	Ø5*38
			
	6pcs		4pcs

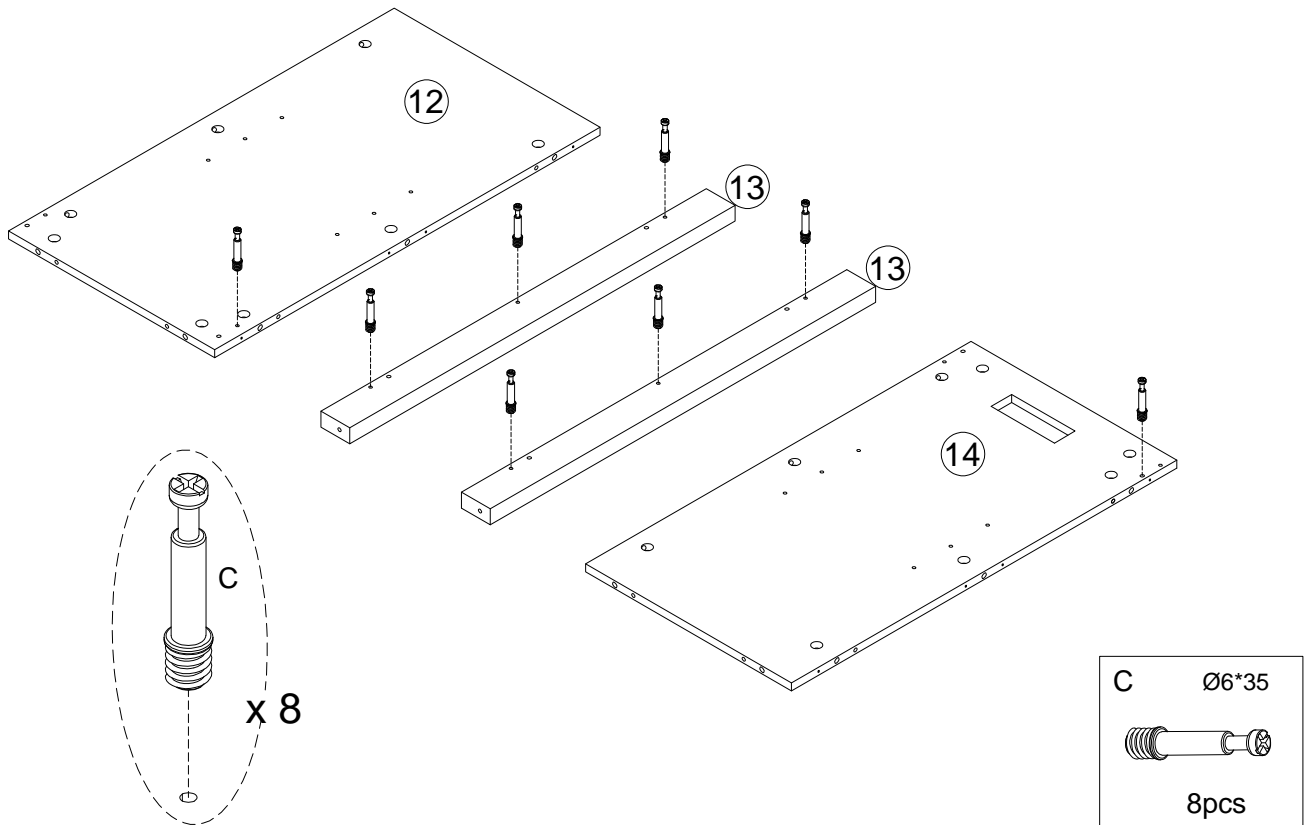
15



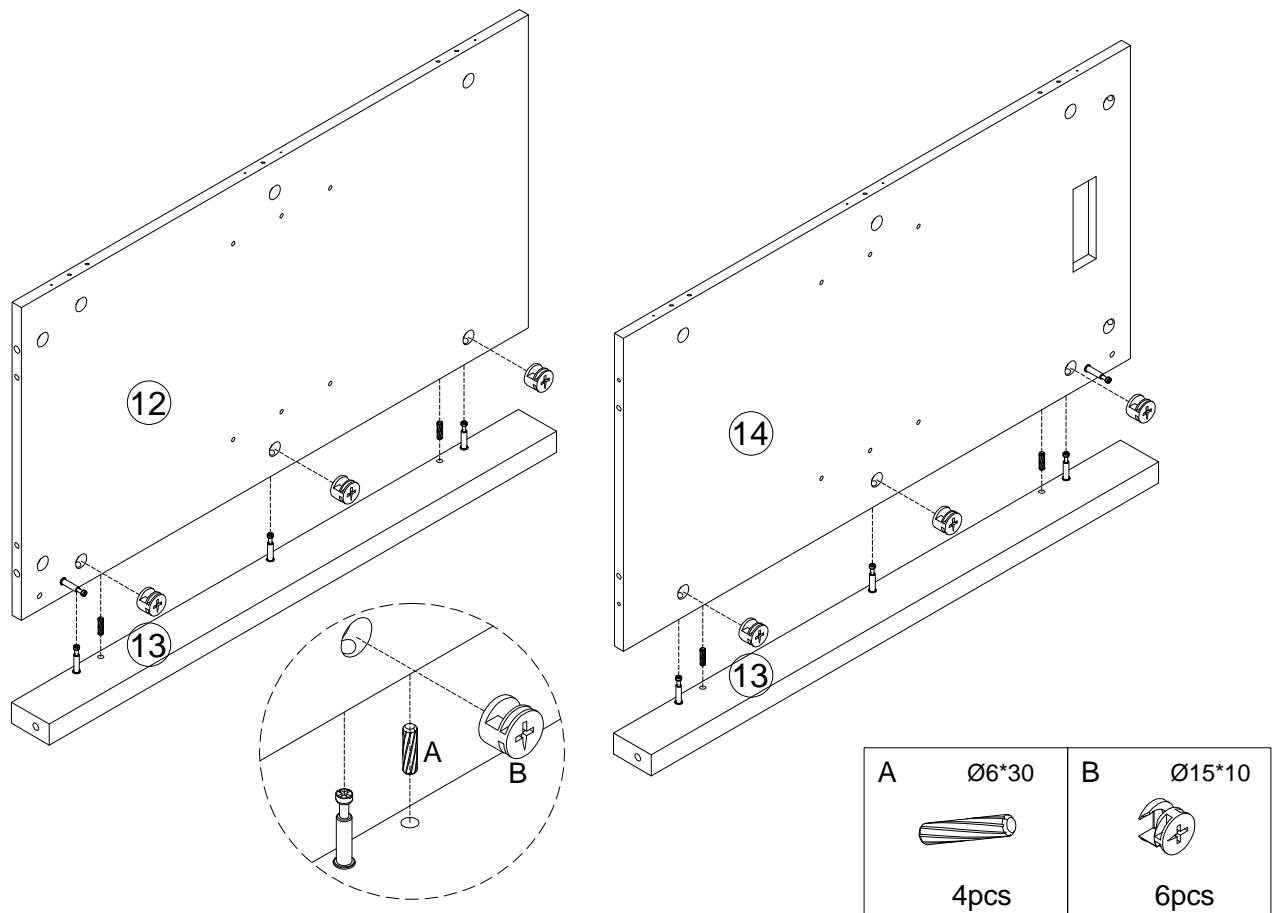
16



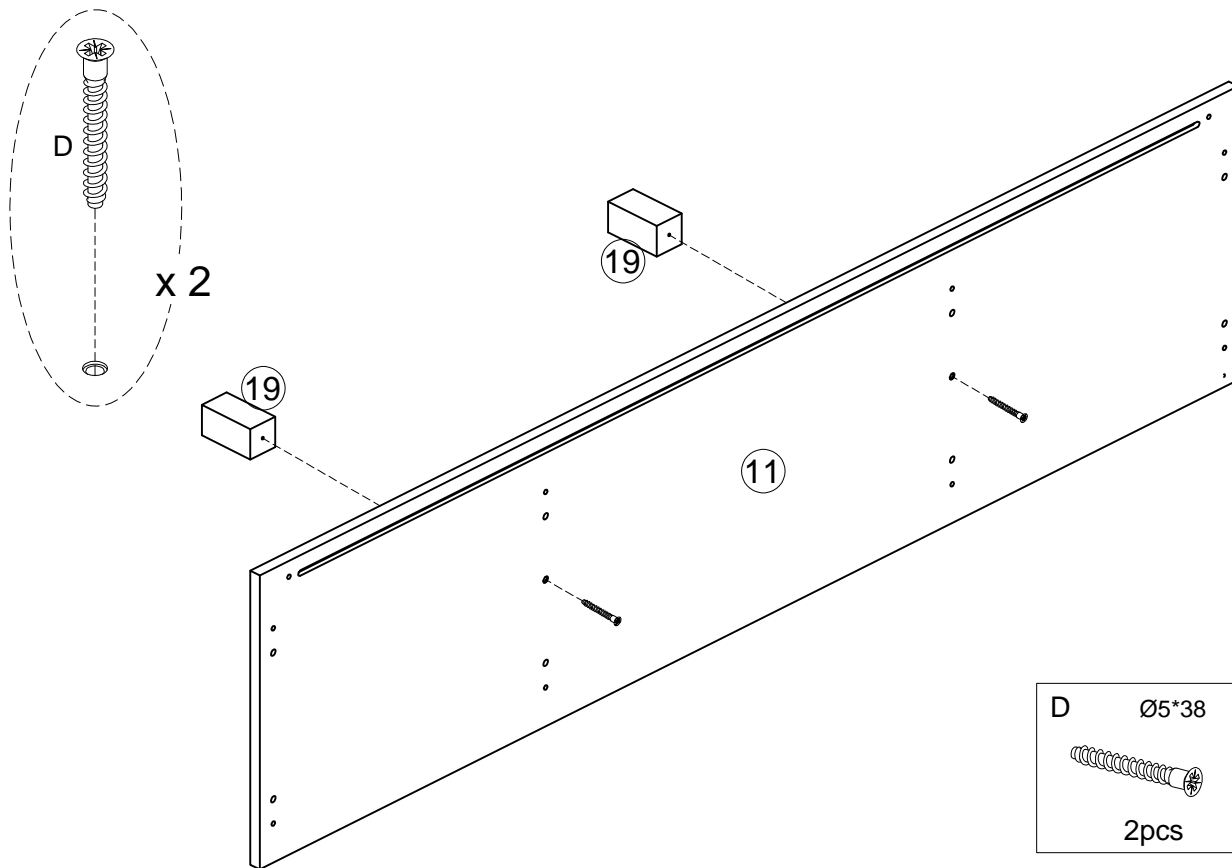
17



18

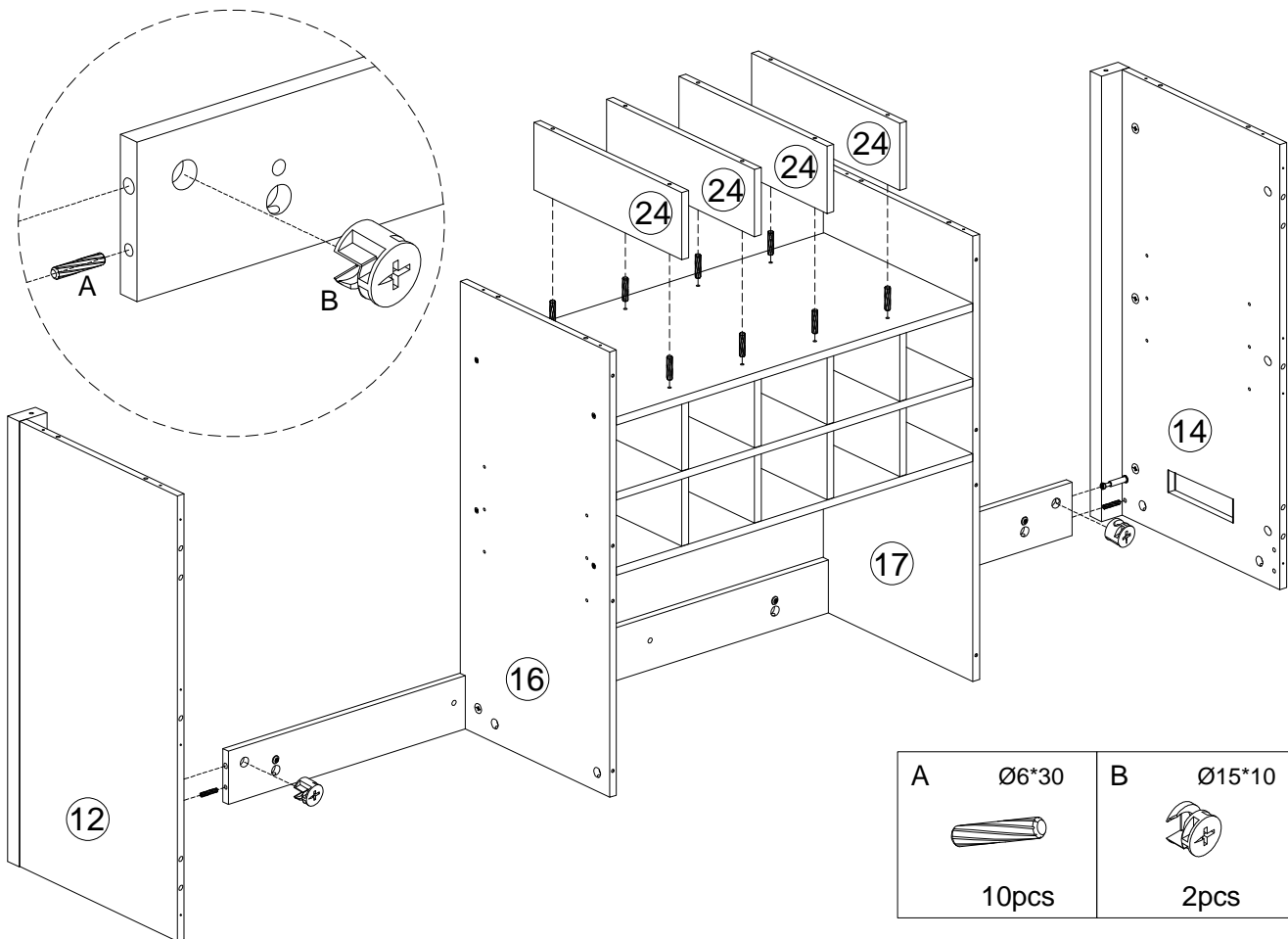


19



D	Ø5*38
2pcs	

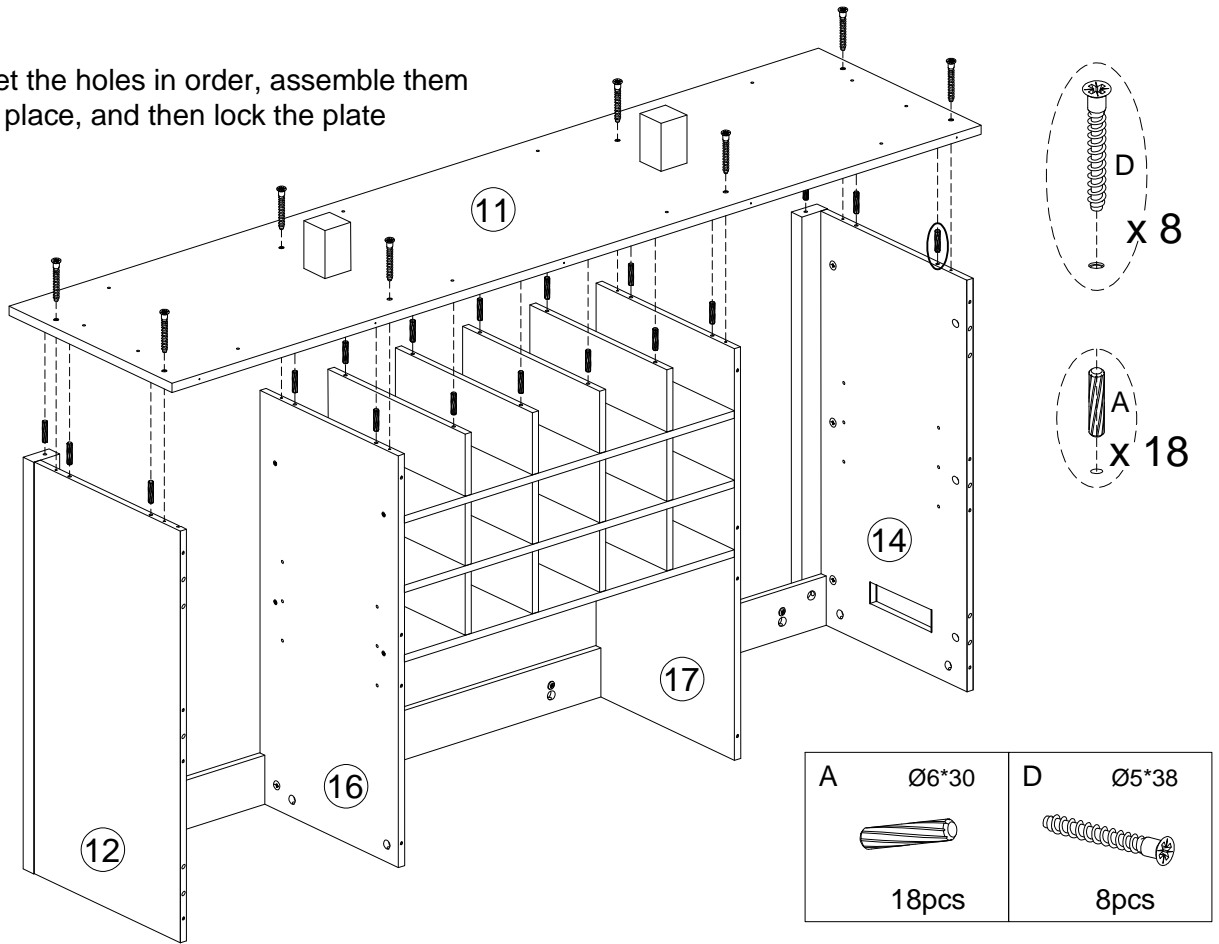
20



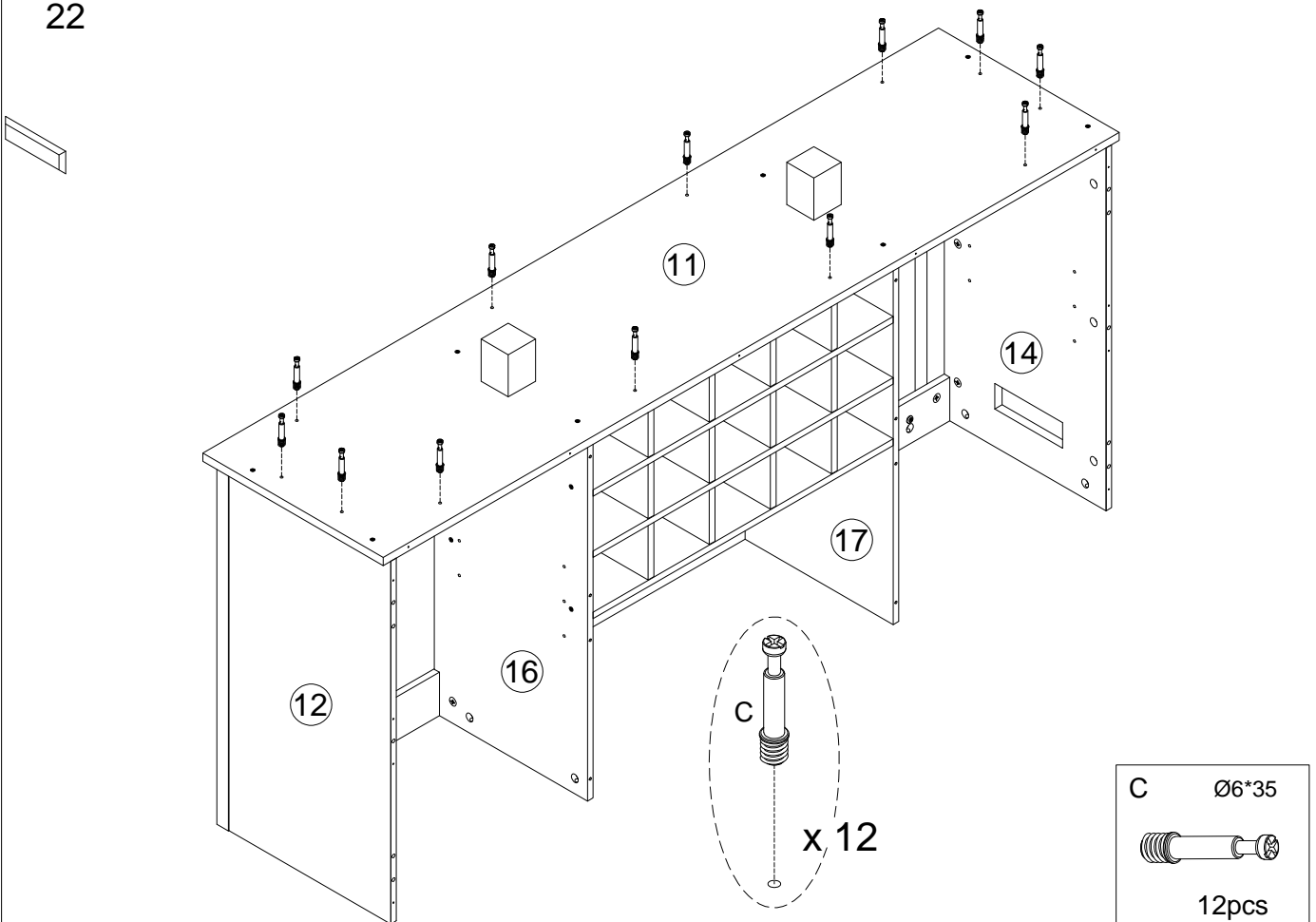
A	Ø6*30	B	Ø15*10
10pcs		2pcs	

21

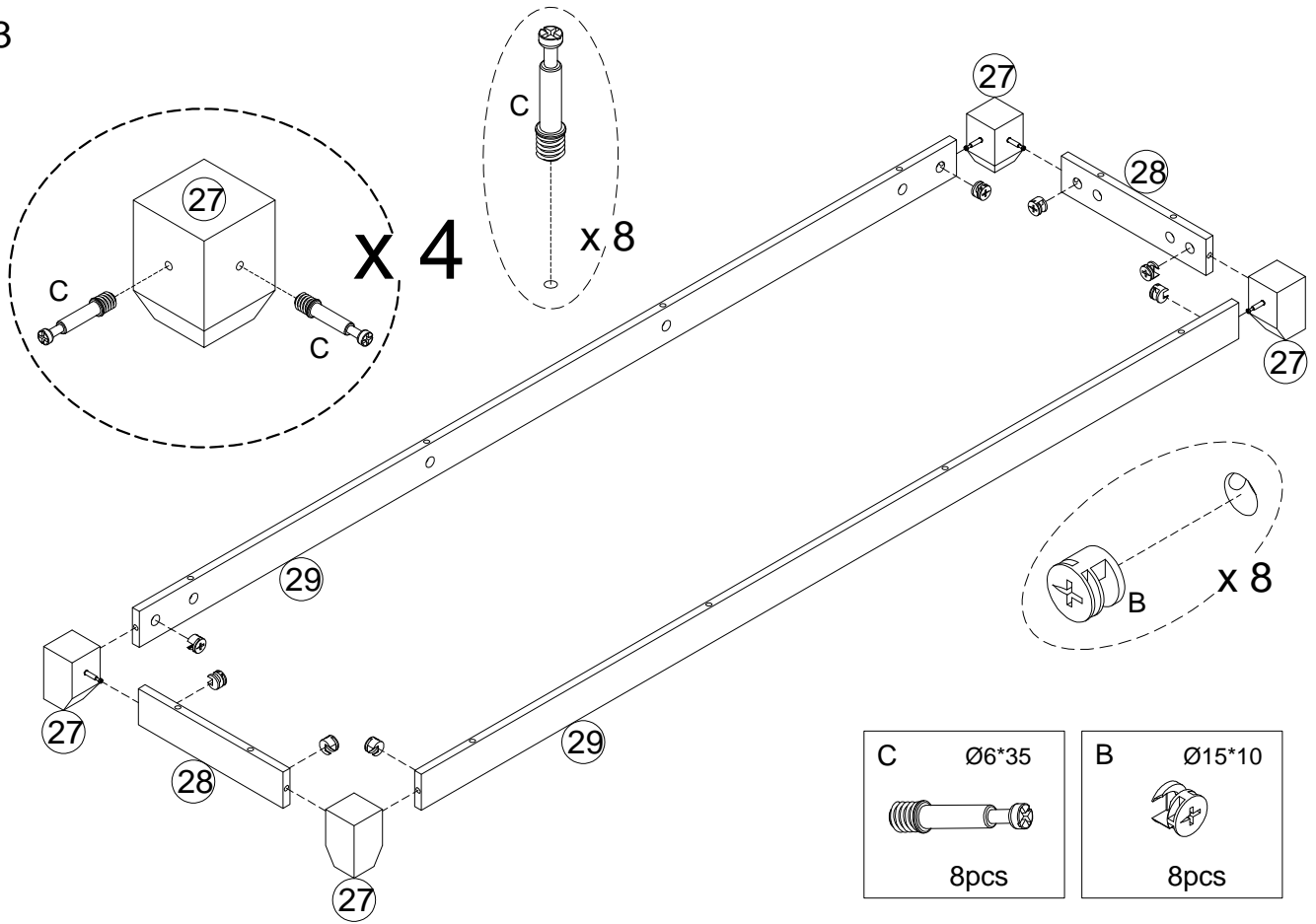
Set the holes in order, assemble them in place, and then lock the plate



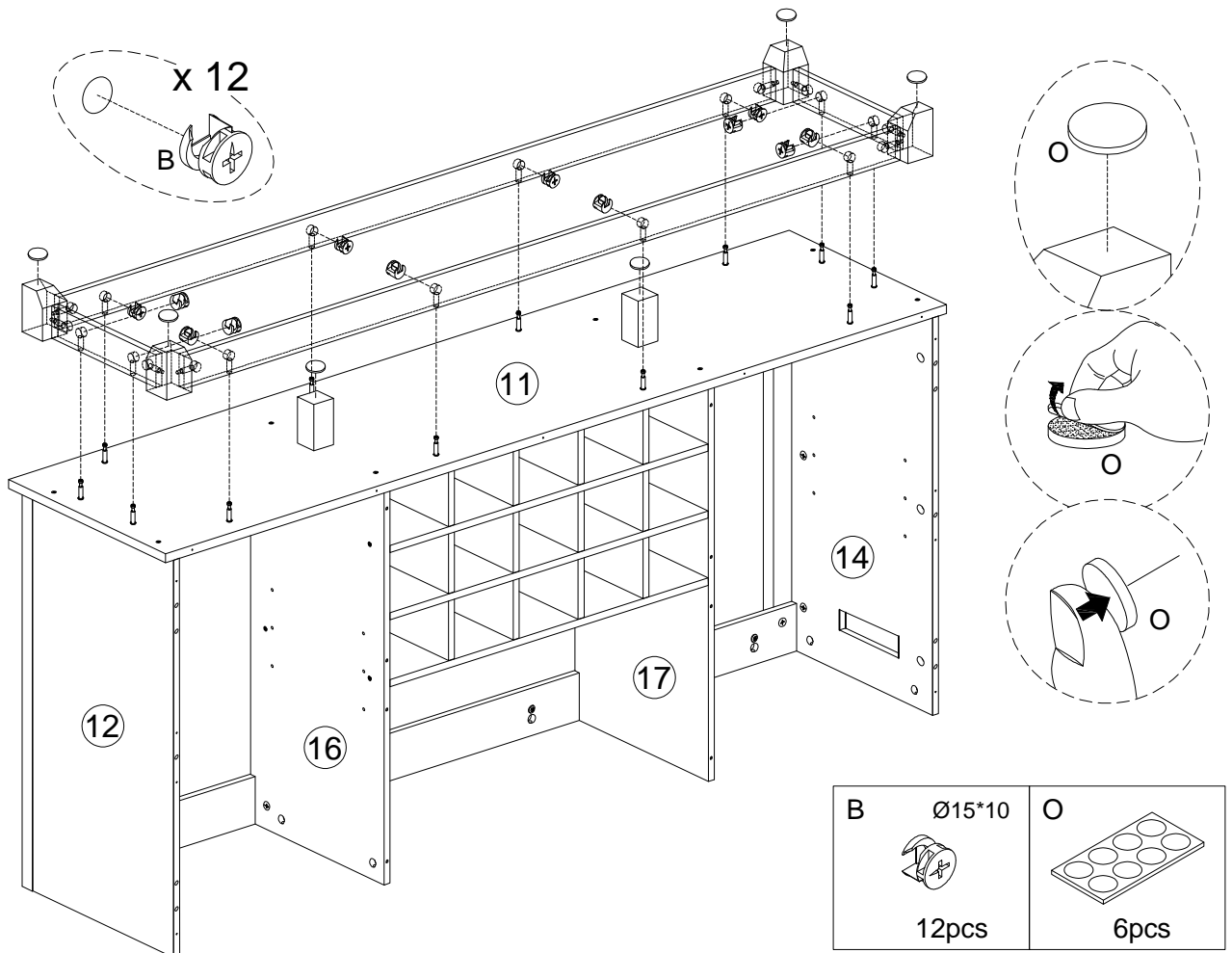
22



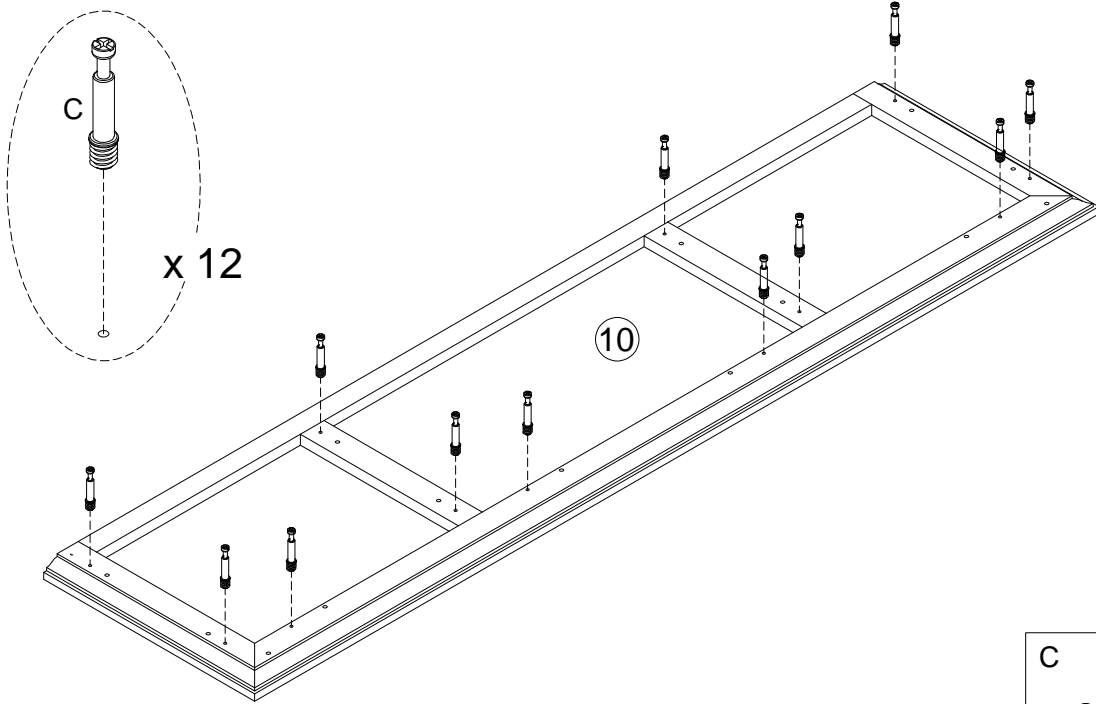
23

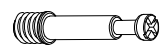


24

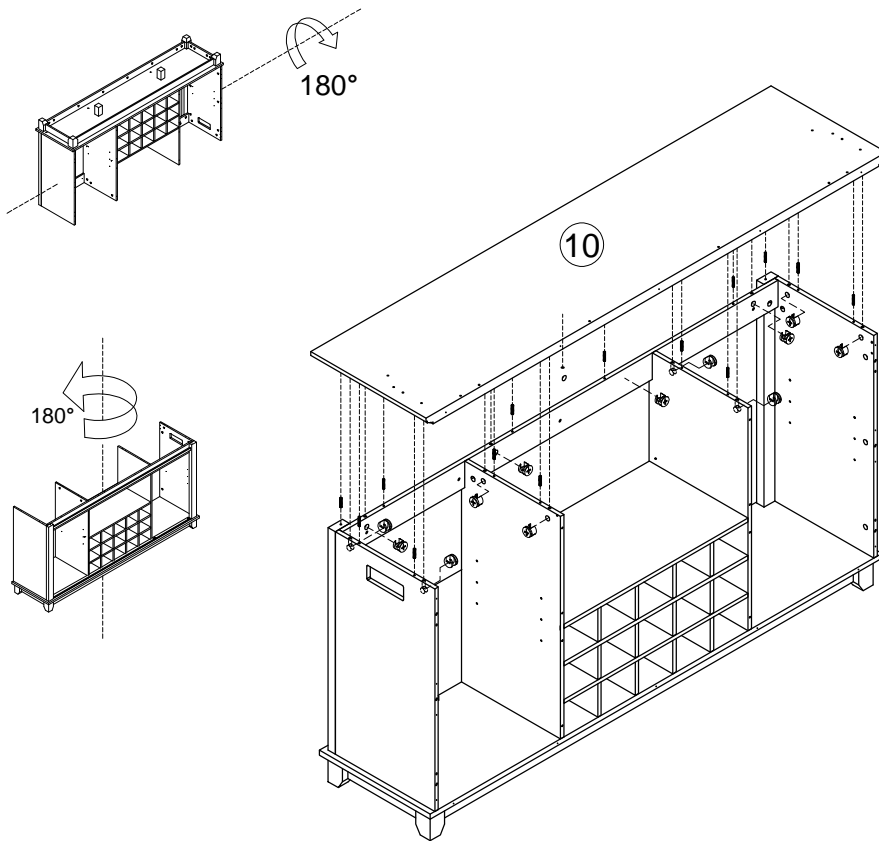


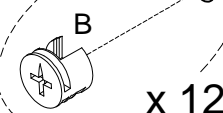
25

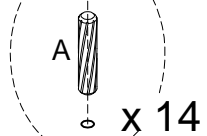




C	Ø6*35
	
12pcs	

26

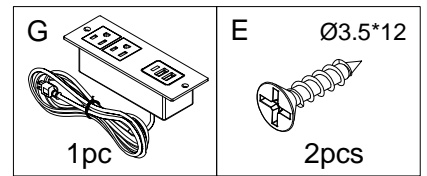
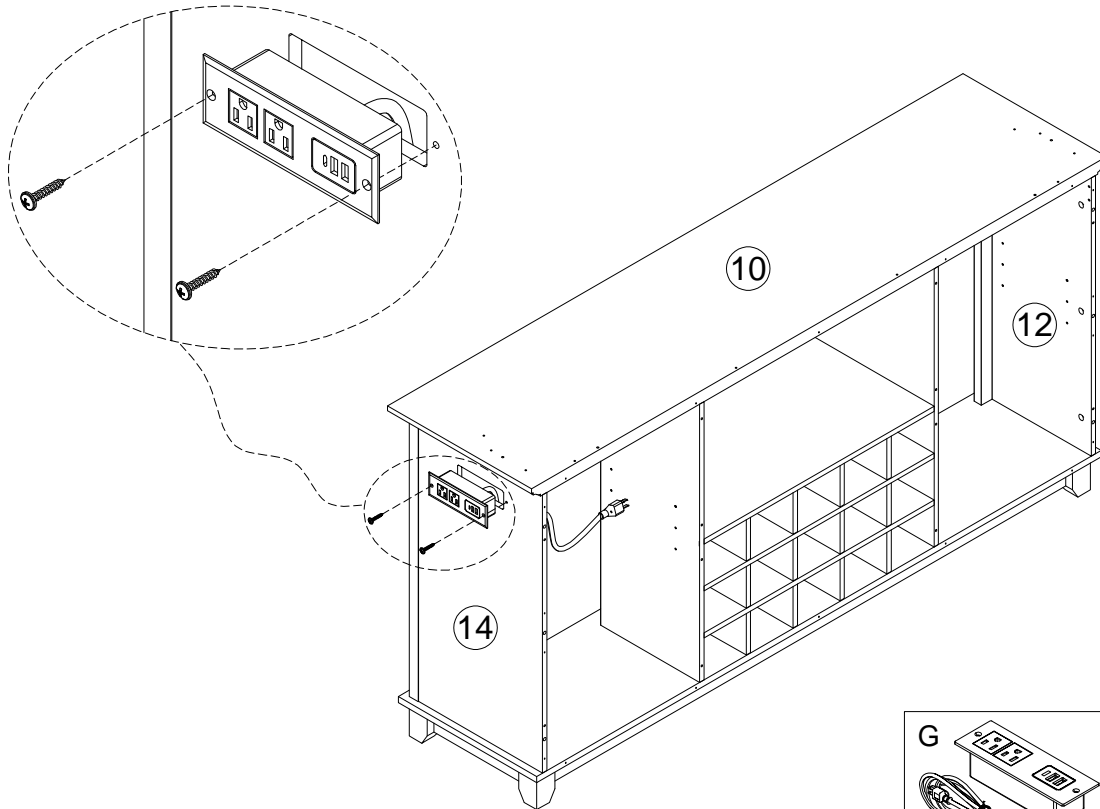


B	x 12
	

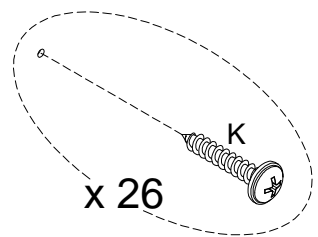
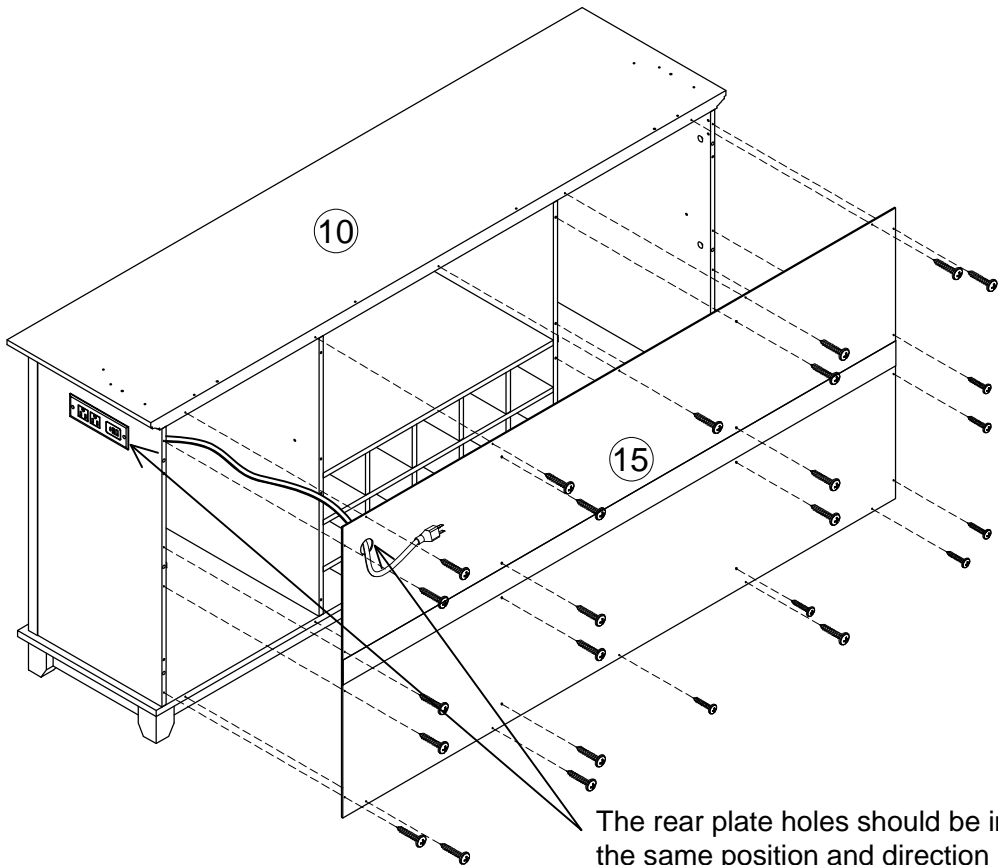
A	x 14
	

A	Ø6*30	B	Ø15*10
			
14pcs		12pcs	

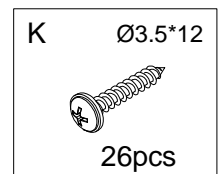
27



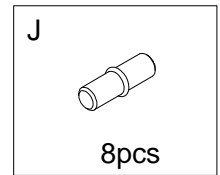
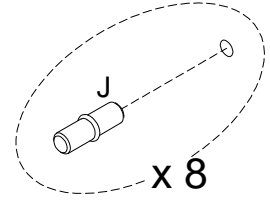
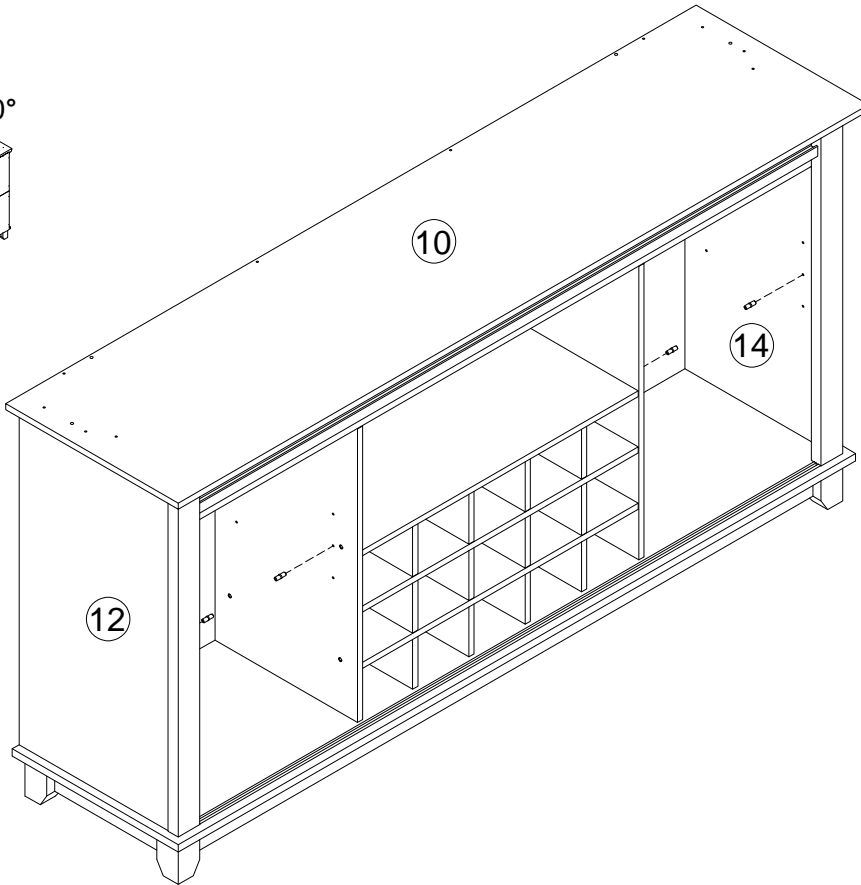
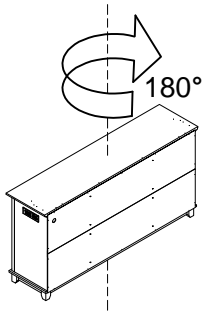
28



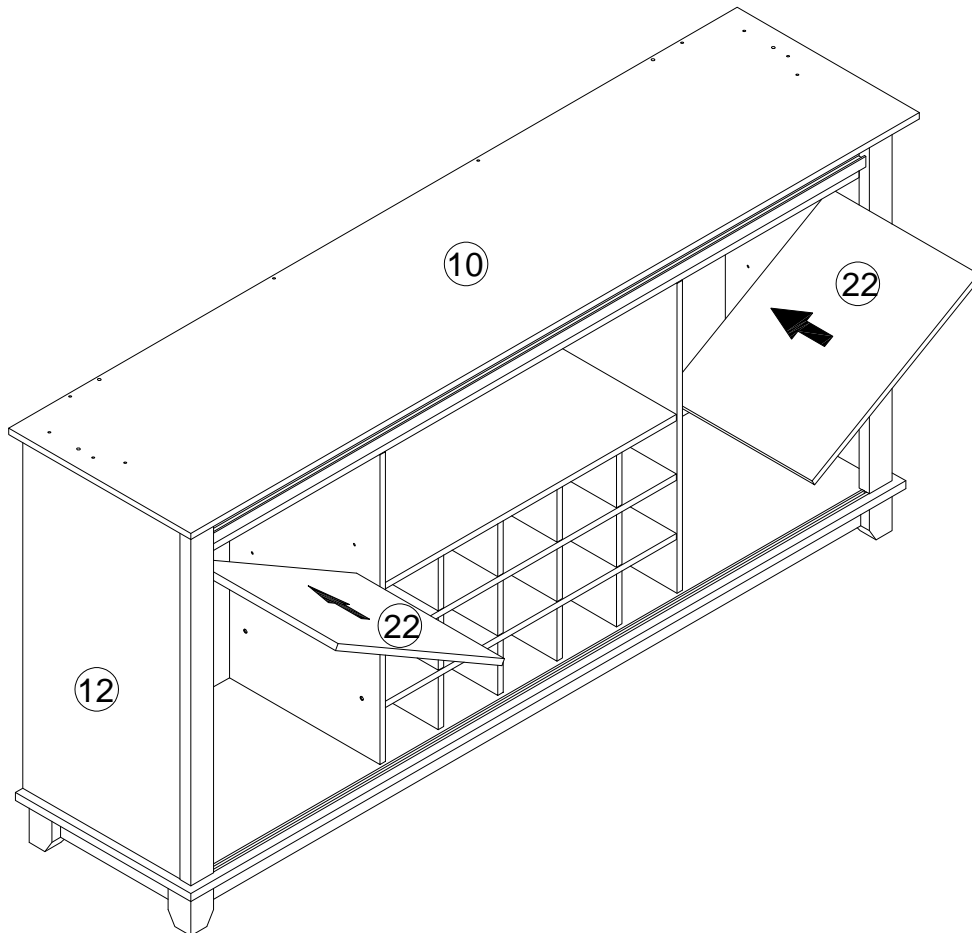
The rear plate holes should be in the same position and direction as the side plate holes



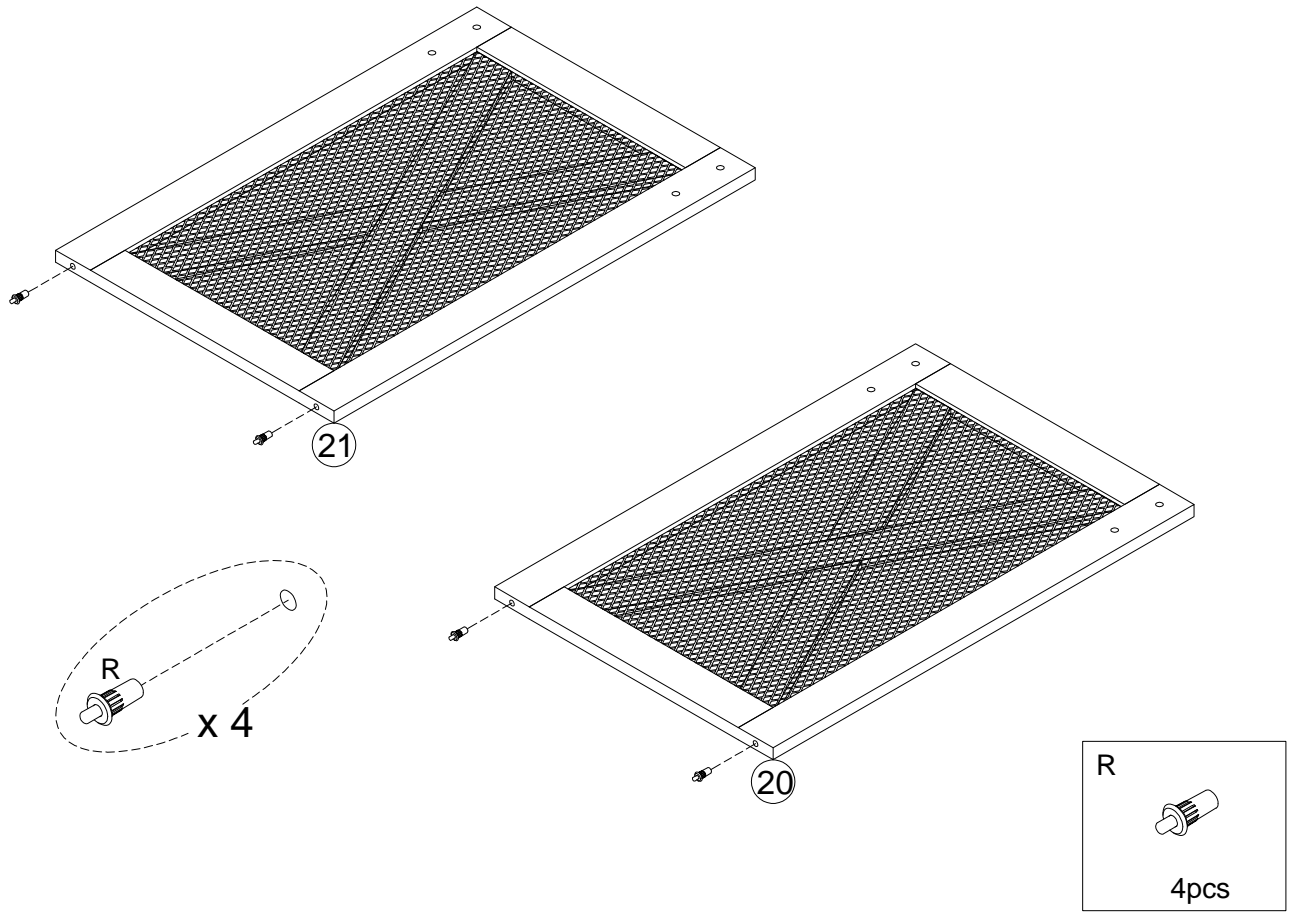
29



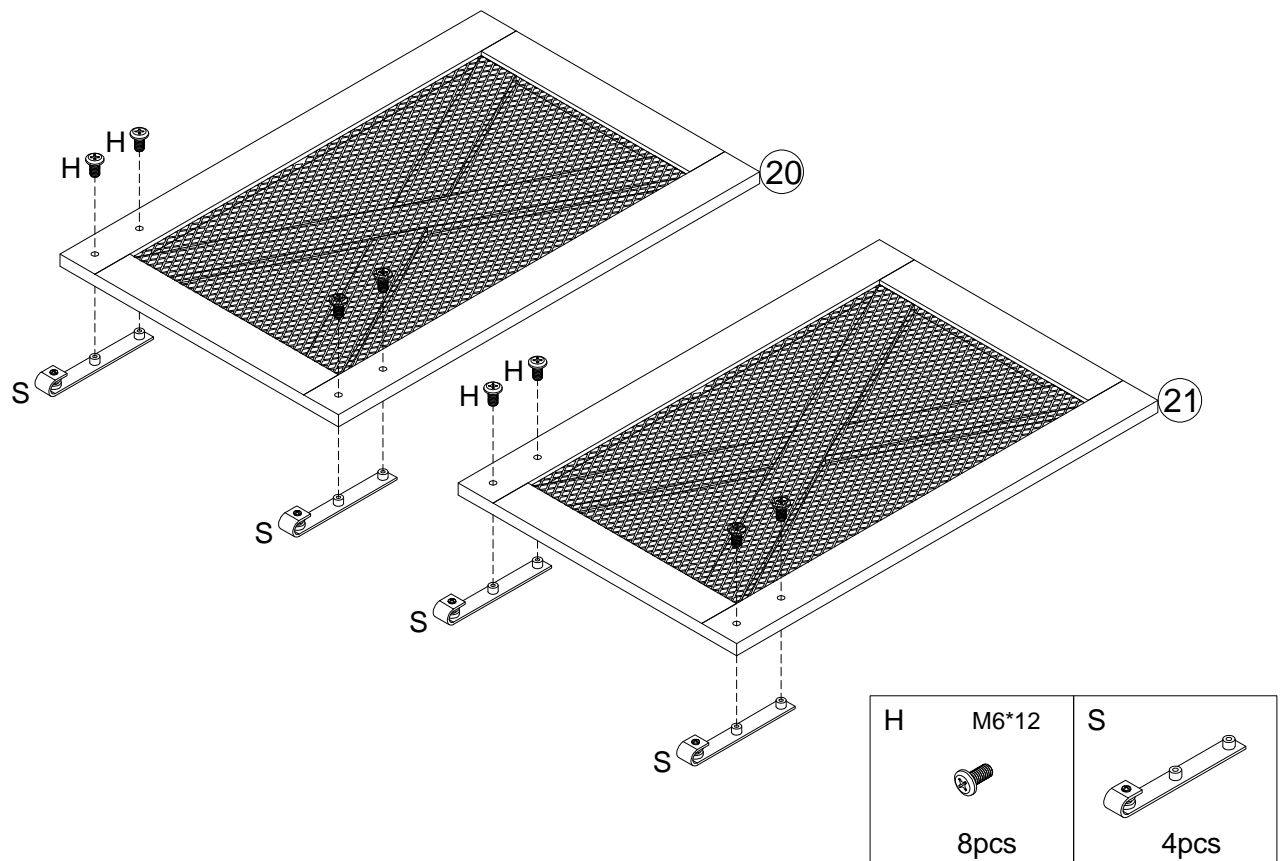
30



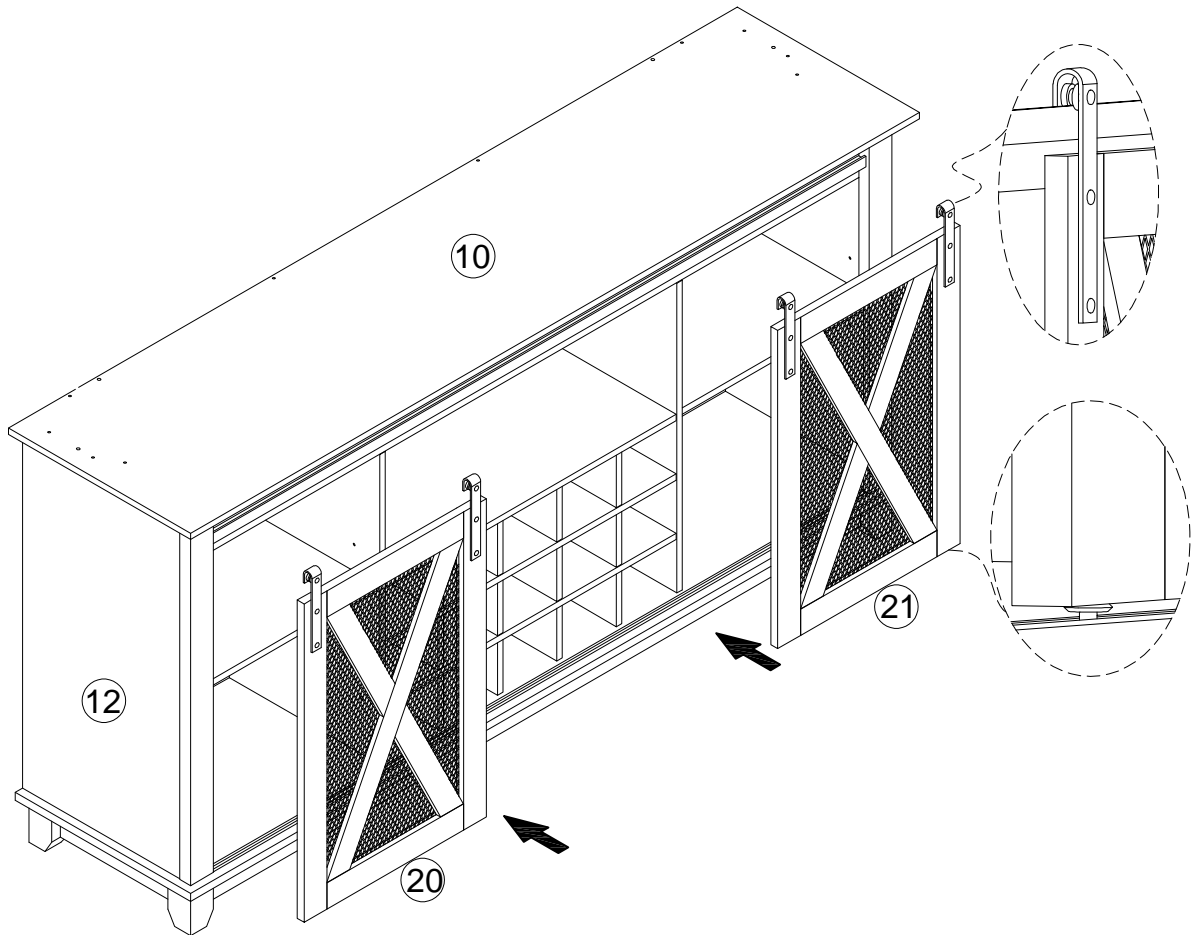
31



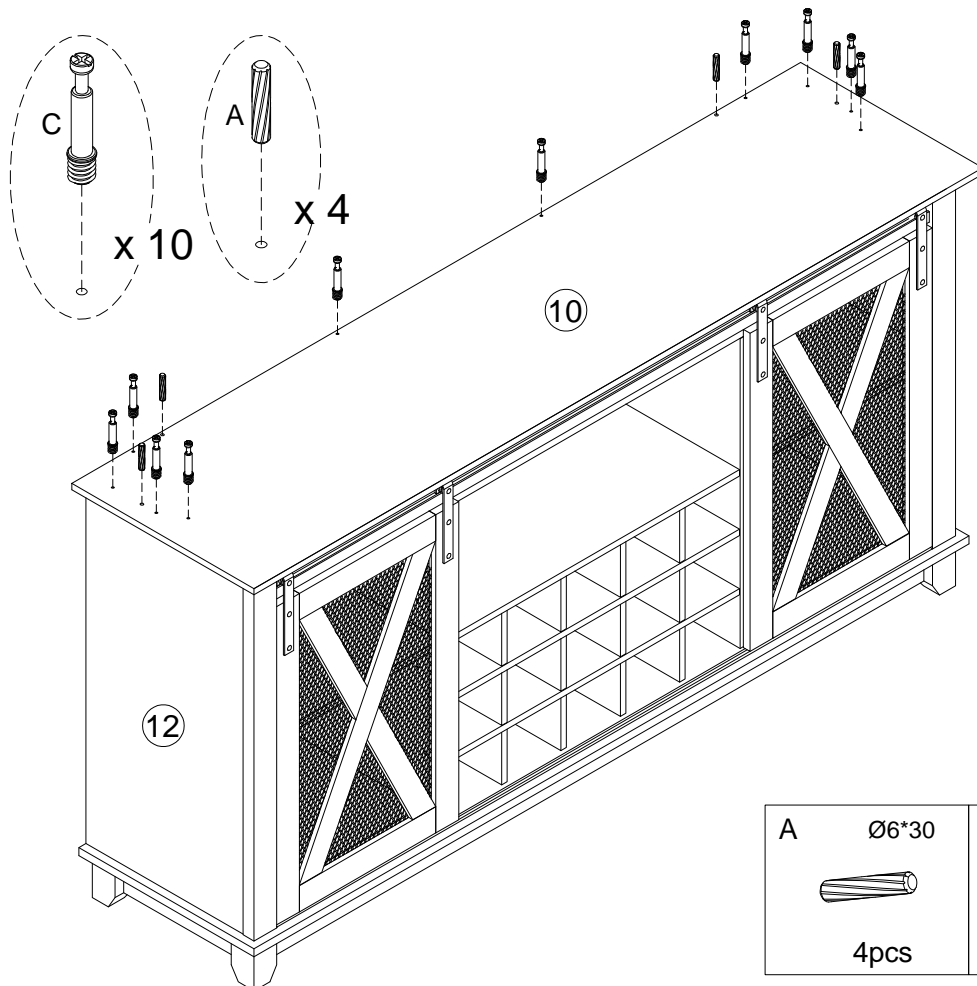
32

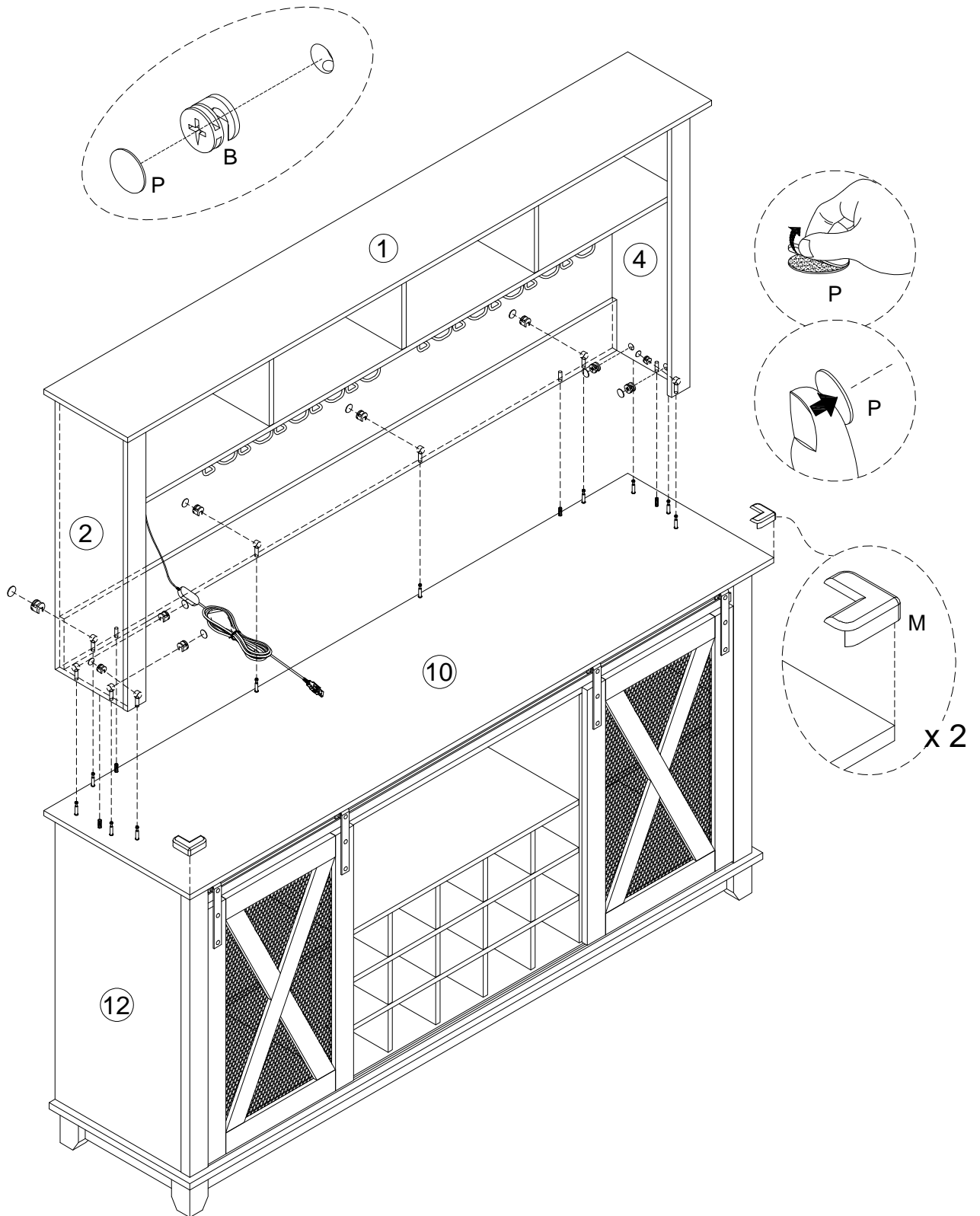



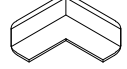

33



34





B	Ø15*10	M	P
			
10pcs		2pcs	86pcs

36

