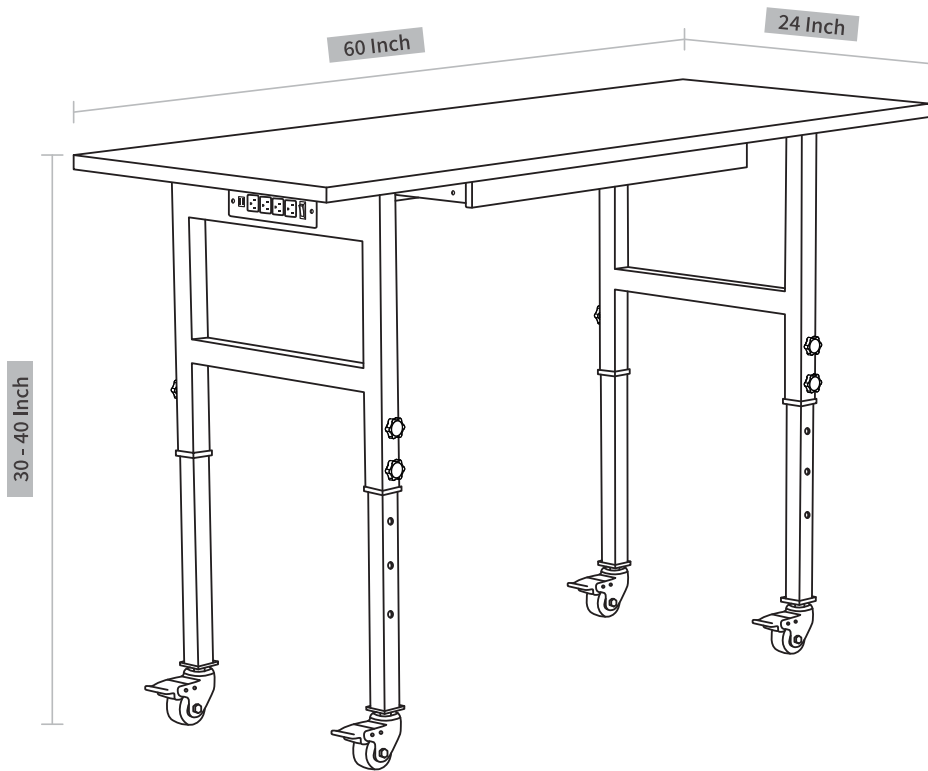
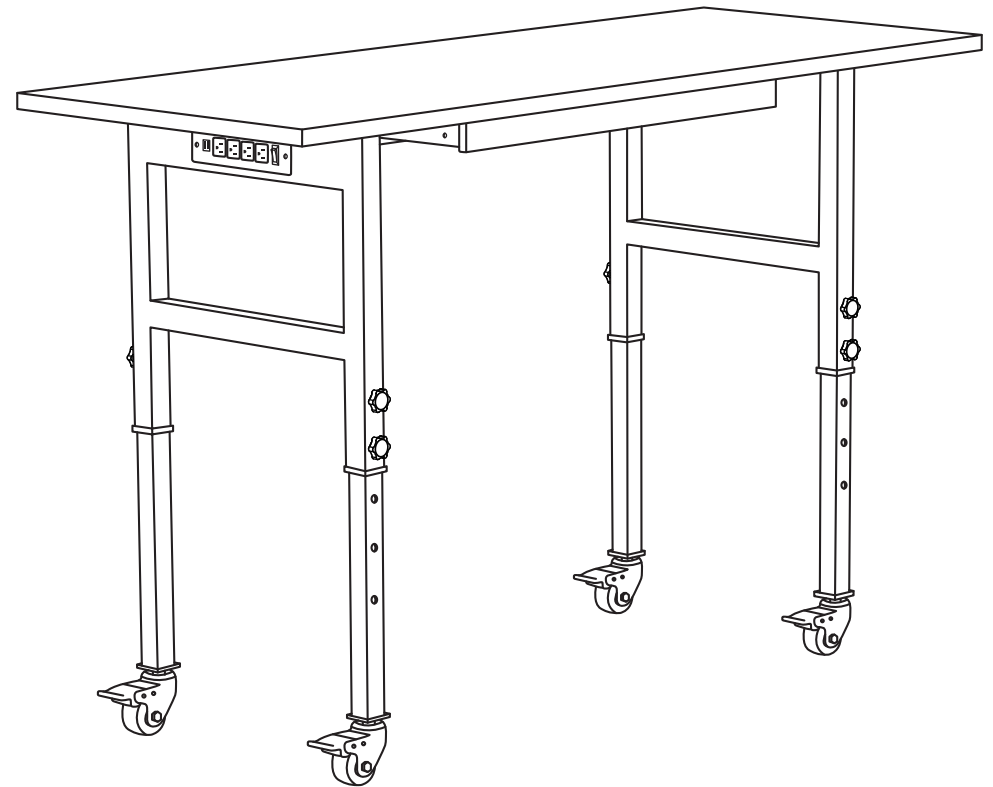


## Step 7 Finish



# 60" Adjustable Workbench USER'S MANUAL

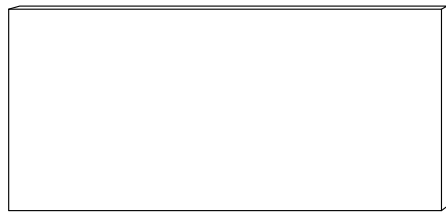


TH060710-60A

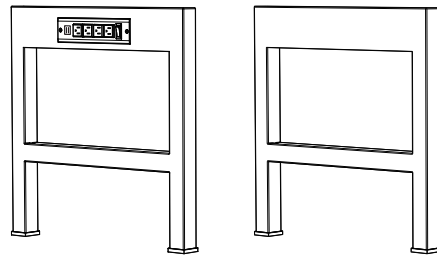
### WARNING!

- 1.The manual contains very important safety information, please read it carefully before assembling.
- 2.Check carefully the box when you receive, if there is any damage, pls take a picture for record, contact our service team for help.
- 3.The workbench can be dangerous if it is not properly installed. Fasten all bolts, nuts, screws before using it.
- 4.Don't overload product on the workbench, it is restricted to 2000 LBS.
- 5.When you use the workbench, make sure all casters are locked, or it can be very dangerous.
- 6.Keep away from children. It will be dangerous if your children are playing on it.
- 7.Keep workbench away from water, moisture.

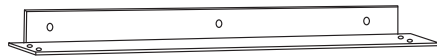
# PART LIST



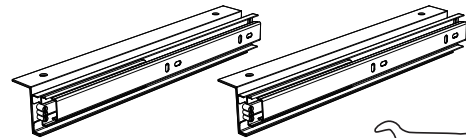
(A) Board x1



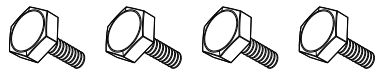
(B) Leg x2



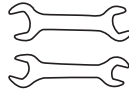
(C) Support x1



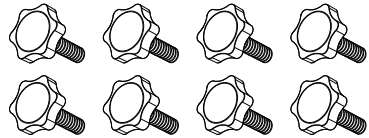
(F) Drawer Track x2



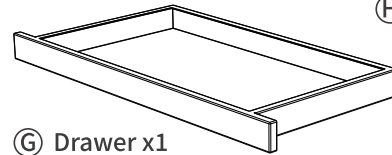
(D) M10x20 Bolt x4



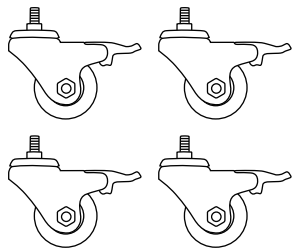
(H) Tool x2



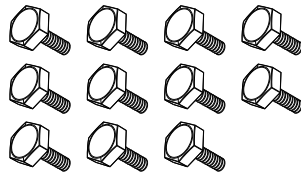
(E) Adjustable Knob x8



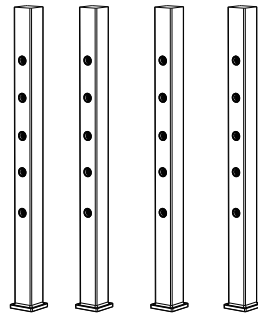
(G) Drawer x1



(I) Caster x4



(J) M8x16 Bolt x11



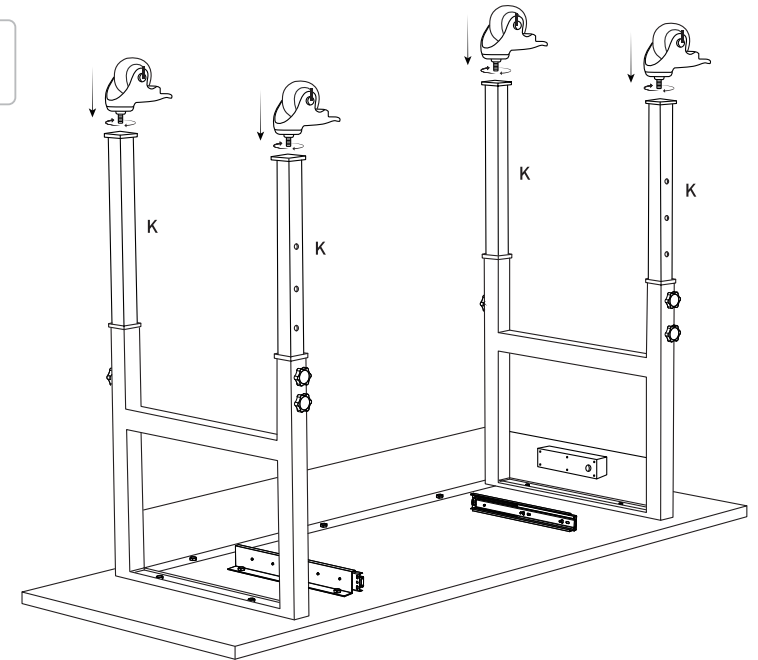
(K) Leg Extend x4

## Tips:

- Don't fasten all bolts and nuts tightly at first, you may need to rework if you make some mistake.
- We recommend that 2 adults are required to complete the installation.

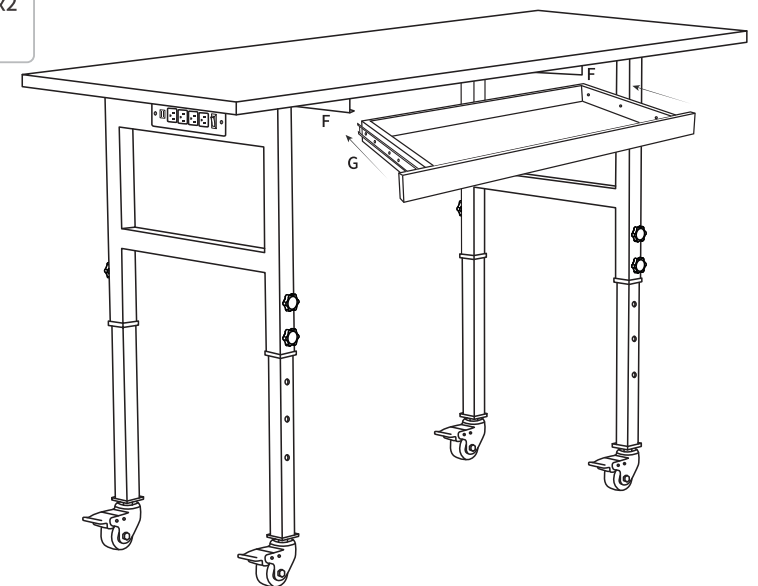
# Step 5 Install Casters On Leg Extend

- (I) Caster x4
- (K) Leg Extend x4



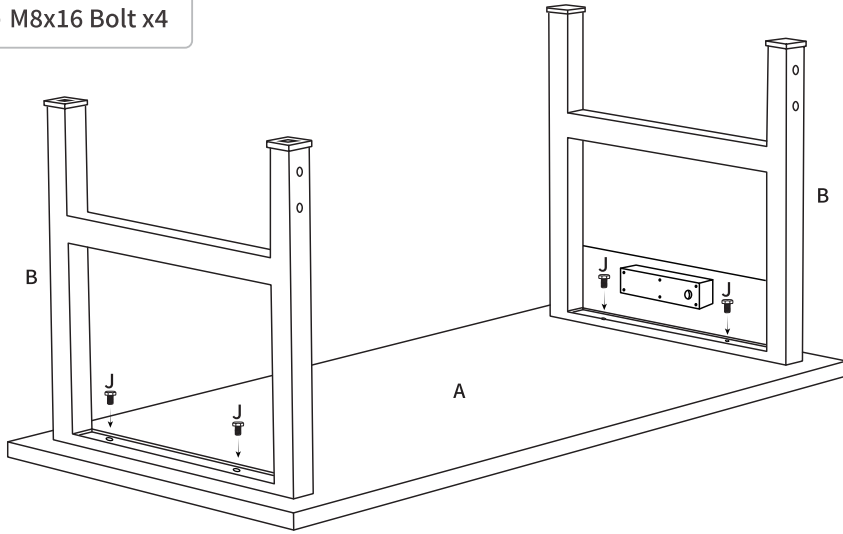
# Step 6 Install The Drawer

- (F) Drawer Track x2
- (G) Drawer x1



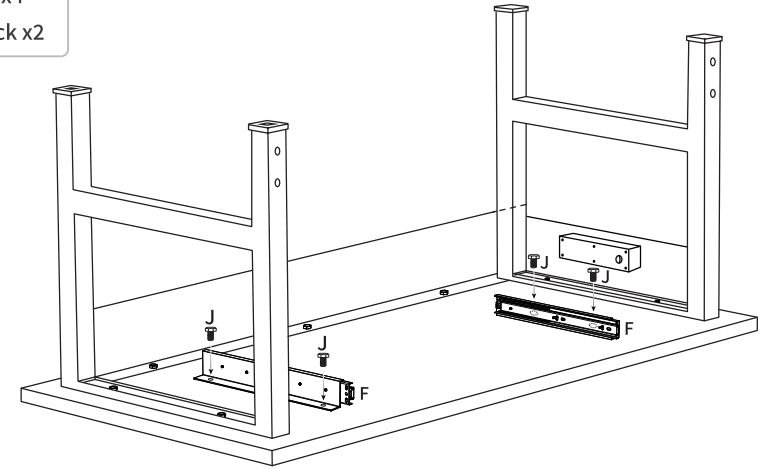
## Step 1 Fasten Legs To The Board

- Ⓐ Board x1
- Ⓑ Leg x2
- ⓙ M8x16 Bolt x4



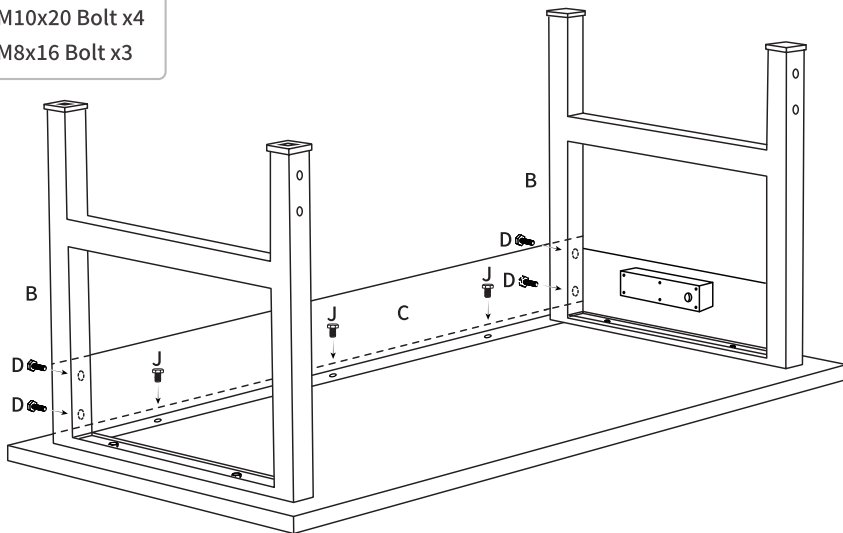
## Step 3 Install The Drawer Tracks to Board

- ⓙ M8x16 Bolt x4
- Ⓕ Drawer Track x2



## Step 2 Fasten Support To Board And Legs

- Ⓑ Leg x2
- Ⓒ Support x1
- Ⓓ M10x20 Bolt x4
- ⓙ M8x16 Bolt x3



## Step 4 Fasten Leg Extend To Legs

- Ⓑ Leg x2
- Ⓔ Adjustable Knob x8
- Ⓚ Leg Extend x4

