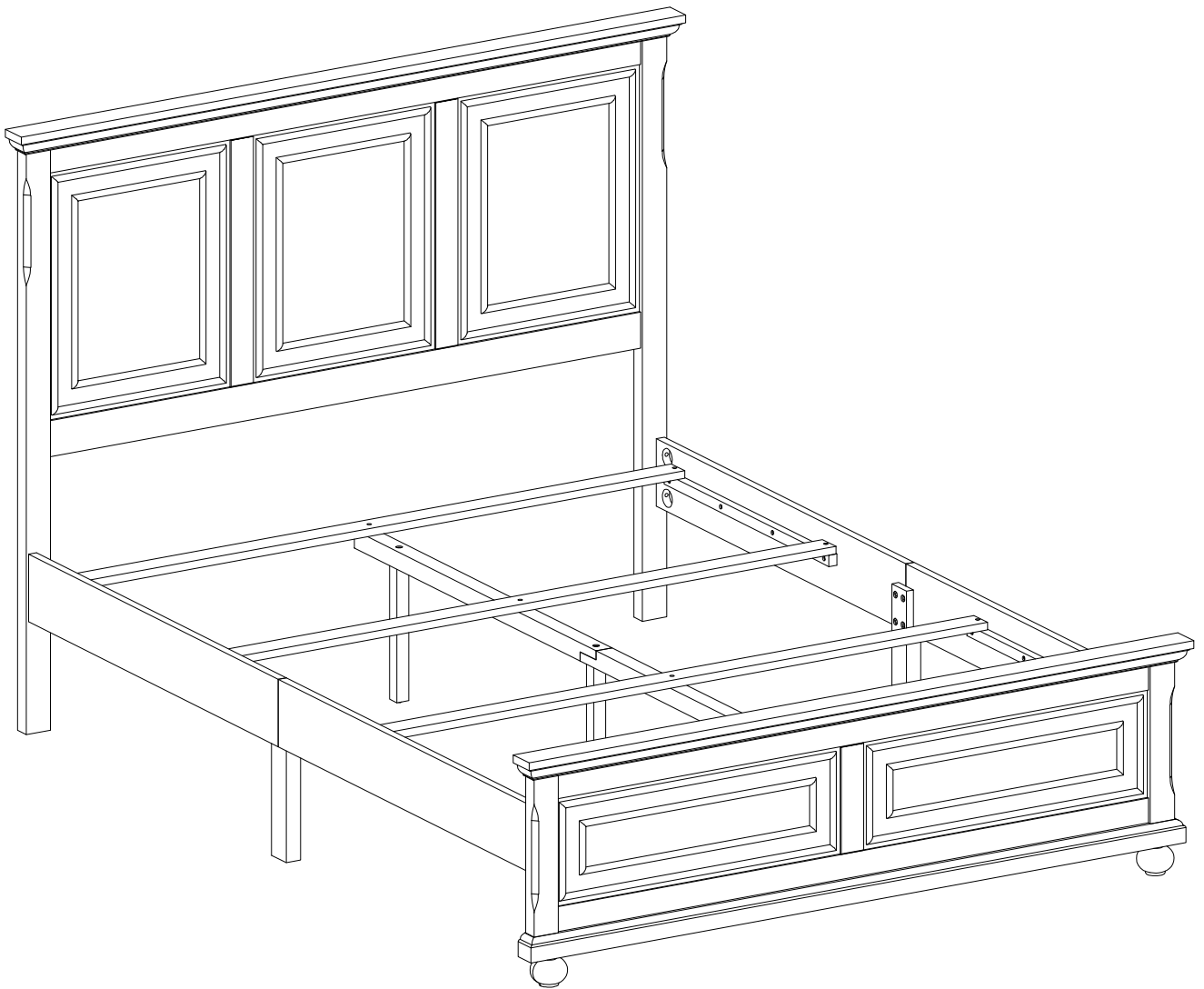


ASSEMBLY INSTRUCTIONS

QUEEN BED



This set is included 1 boxes if don't receive full 1 boxes please contact our customer service team.

WF316938

SAFETY WARNINGS AND GENERAL NOTES

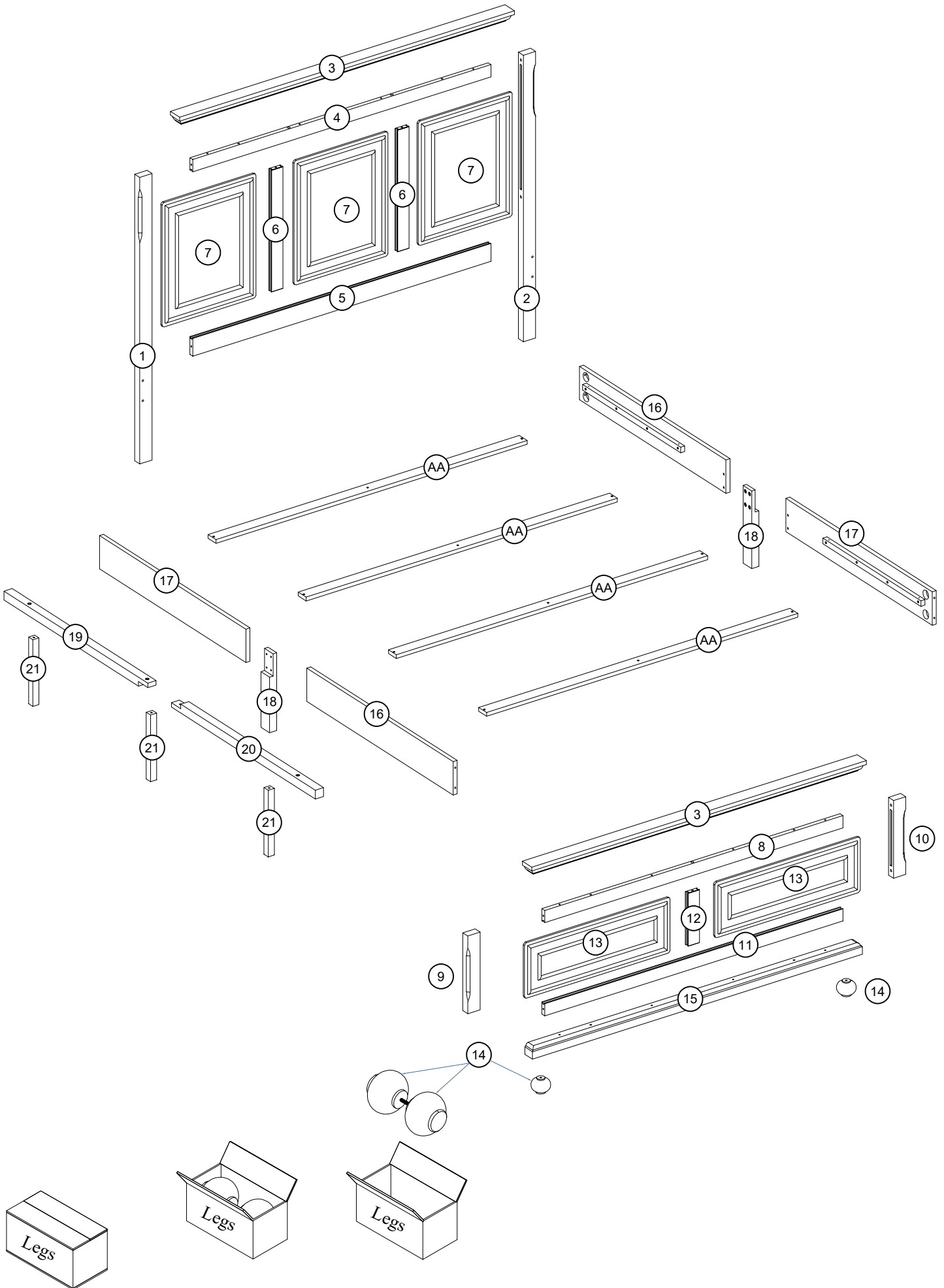
1. Follow the information on the warnings on the bunk bed end structure and on the carton. Do not remove the warning label from the bed
2. Always use the recommended size mattress on mattress support, or both, to help prevent the likelihood of entrapment or falls
3. Do not allow children under 6 years of age to use the upper bunk
4. Periodically check and ensure the guardrail, ladder and other components are in their proper position, free from damage, and all connectors are tight
5. Do not allow horseplay on or under beds.
6. Always prohibit jumping on the bed
7. Prohibit more than one person on upper bunk.
8. Always use the ladder for entering and leaving the upper bunk.
9. Do not use substitute parts. Contact the manufacturer or dealer for replacement parts.
10. Use of a night-light may provide added safety precaution for a child using the upper bunk.
11. Always use guardrails on both long sides of the upper bunk.
12. If the bunk bed will be placed next to a wall, the guardrail that runs the full length of the bed should be placed against the wall to prevent entrapment between the bed and the wall.
13. The use of water or sleep flotation mattresses is prohibited
14. **STRANGULATION HAZARD**-Never attach or hang items to any part of the bunk bed that are not designed for use with the bed.
15. Keep these instructions for future reference.
16. We recommend assembling your bunk bed on the shipping carton to protect your floor or carpet.
17. Be certain all staples are out of the box before beginning assembly on the shipping carton.
18. **USE ONLY MATTRESSES WHICH ARE AS THE TABLE BELOW ON UPPER AND ON**

Down bed

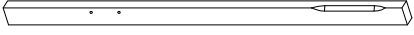
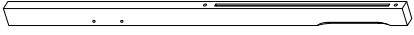




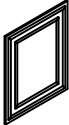





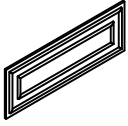
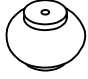



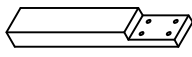


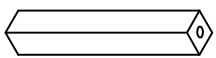
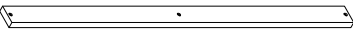
Bed type	Length	Width	Thickness
Twin Standard	79" – 80"	60 1/2 "	10" max

19. **SURFACE OF MATTRESS MUST BE AT LEAST 5" (127MM) BELOW THE UPPER EDGE OF GUARDRAILS.**
20. Replacement Parts, including additional guardrails, may be obtained from any of our **CARBRO FLAVOR (U.S.A.), LLC** dealers;

Detail View










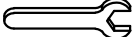



Part List :

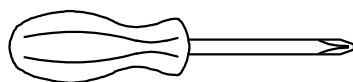
<p>1</p>  <p>Left Hind Leg-1pc</p>	<p>2</p>  <p>Right Hind Leg-1pc</p>	<p>3</p>  <p>Bed Head Cover-2pcs</p>
<p>4</p>  <p>Upper Horizontal Bar-1pc</p>	<p>5</p>  <p>Lower Horizontal Bar-1pc</p>	<p>6</p>  <p>High Headed Quiz-2pcs</p>
<p>7</p>  <p>High Headboard-3pcs</p>	<p>8</p>  <p>Upper Horizontal Bar-1pc</p>	<p>9</p>  <p>Left Fore Leg-1pc</p>
<p>10</p>  <p>Right Forefoot-1pc</p>	<p>11</p>  <p>Lower Horizontal Bar-1pc</p>	<p>12</p>  <p>Short Standing Quiz-1pc</p>
<p>13</p>  <p>Bed Endboard-2pcs</p>	<p>14</p>  <p>Low Head Legs-2pcs</p>	<p>15</p>  <p>Bottom Bar-1pc</p>
<p>16</p>  <p>Shoulder Bed left-2pcs</p>	<p>17</p>  <p>Shoulder Bed right-2pcs</p>	<p>18</p>  <p>Middle leg-2pcs</p>
<p>19</p>  <p>Flap support bar 1-1pc</p>	<p>20</p>  <p>Flap support bar 2-1pc</p>	<p>21</p>  <p>Father's Foot-3pcs</p>
<p>AA</p>  <p>Slat-4pcs</p>		

Part List :

Hardware List

A  Ø 10 x 30mm Wood dowel =6pcs	B  Ø1/4" x 90mm Hex-Head bolt=2pcs	C  Ø1/4" x 60mm Hex-Head bolt=19pcs
D  Ø1/4" x 25mm Hex-Head bolt=8pcs	E  Ø5/6" x 60mm Hex-Head bolt =16pcs	F  Metal Crescent Washer=16pcs
G  Nut washers=16pcs	H  Spring washers Ø10 =16pcs	I  #4 x 30mm Screw=12pcs
K  Wrench=1pc	L  K4mm Allen key (1pc)	

ASSEMBLY TOOLS REQUIRED (NOT INCLUDED)



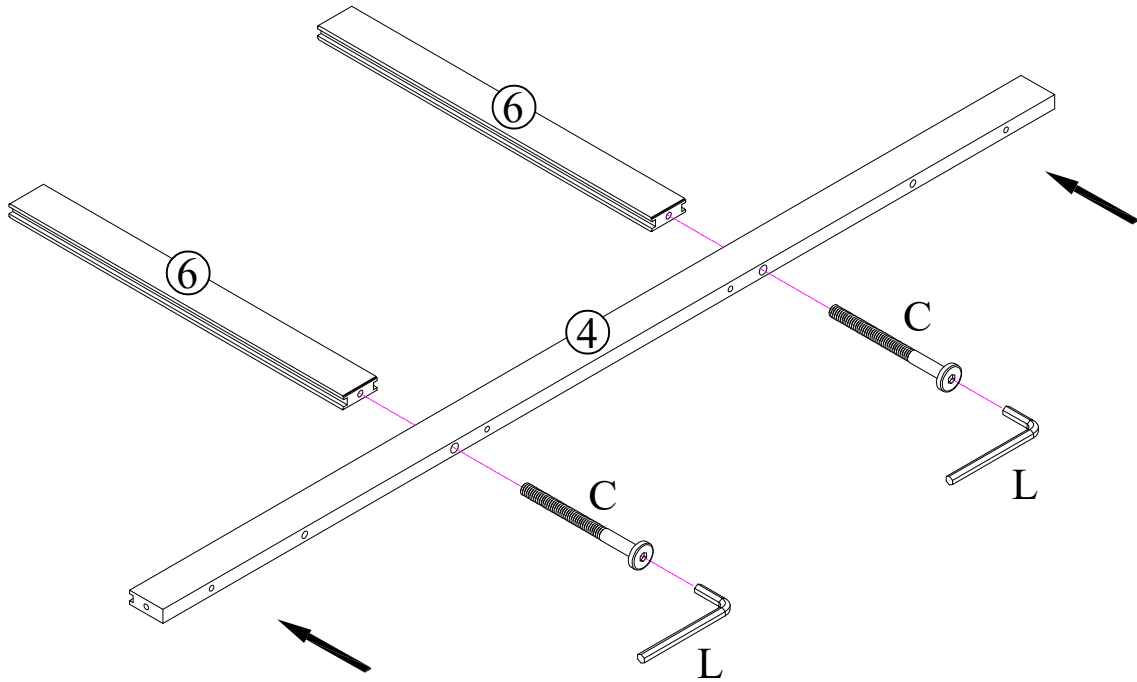
PLEASE BE CAREFUL DO NOT DAMAGE THE HOLE POSITION WHEN YOU USE POWER TOOLS !

STEP 1:

C

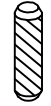


2PCS



STEP 2:

A

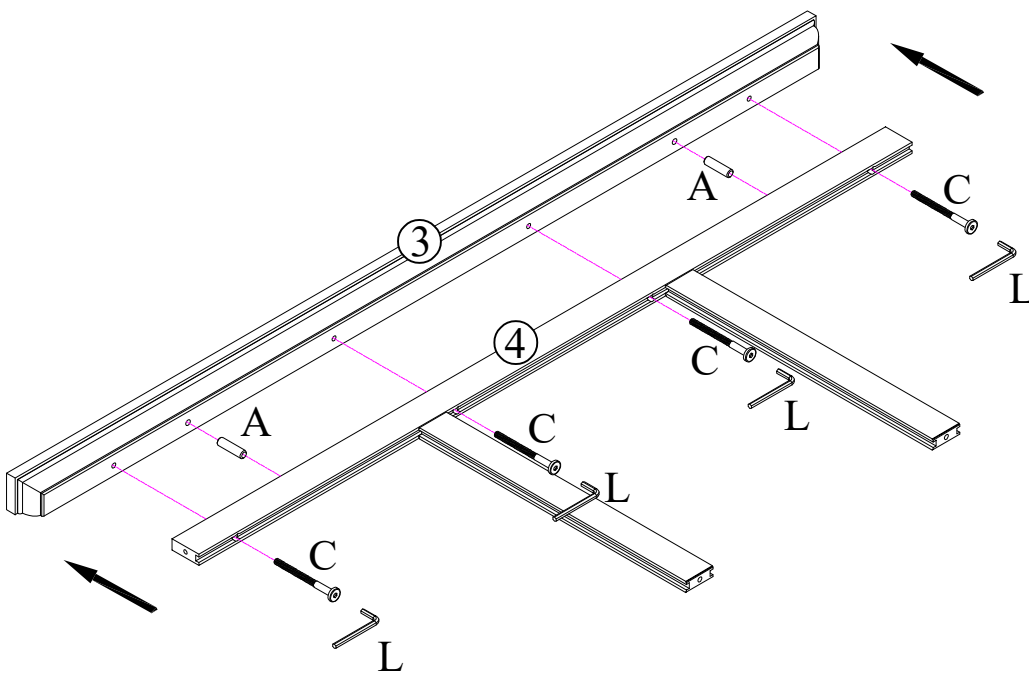


2PCS

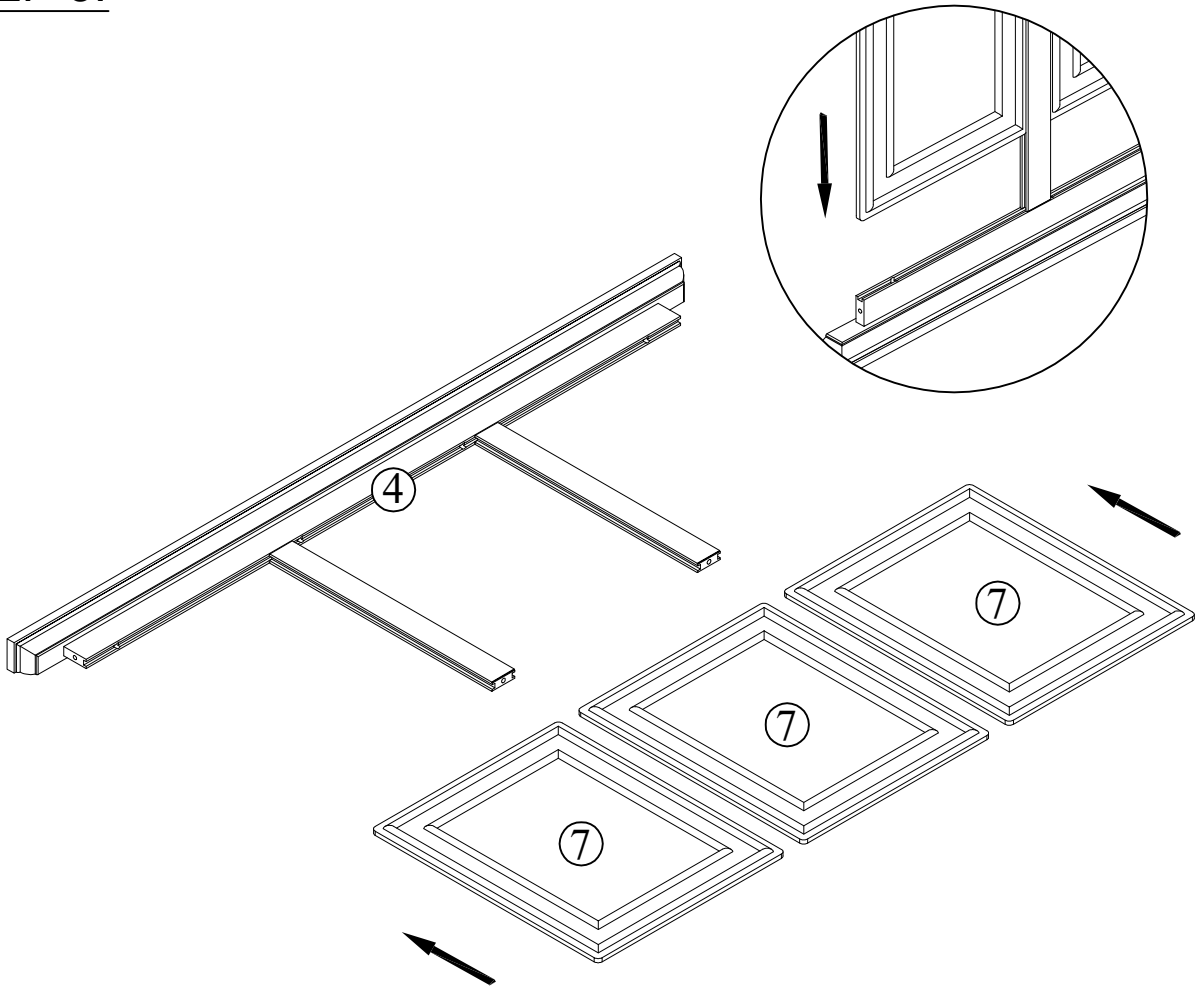
C



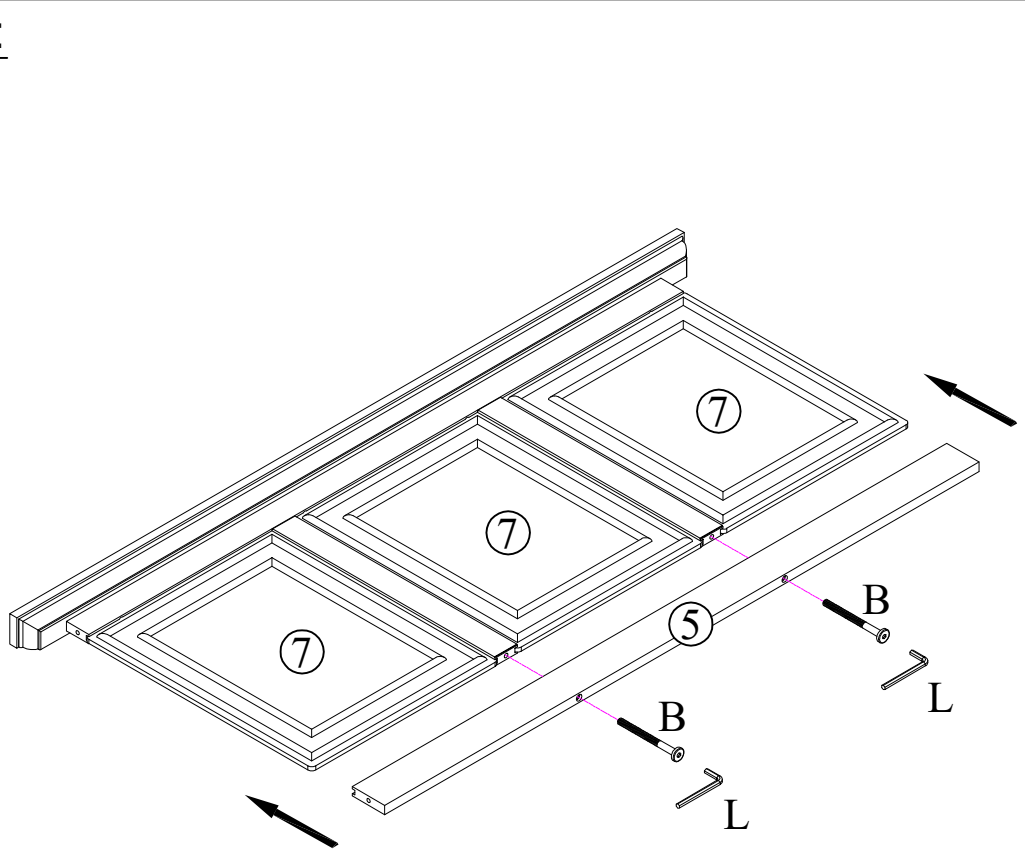
4PCS



STEP 3:



STEP 4:



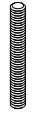
B



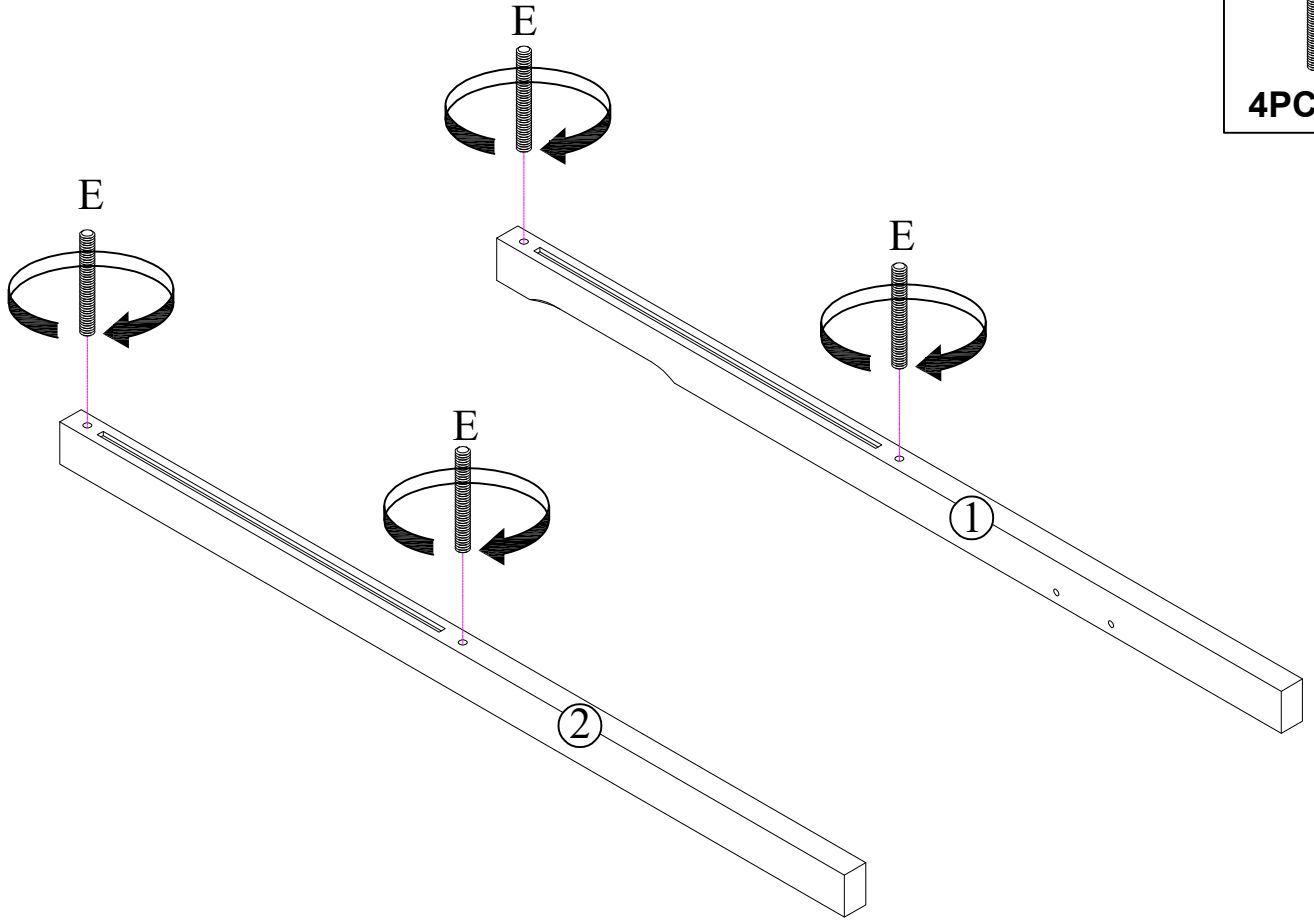
2PCS

STEP 4:

E



4PCS



STEP 5:

F



4PCS

G



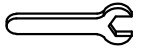
4PCS

H

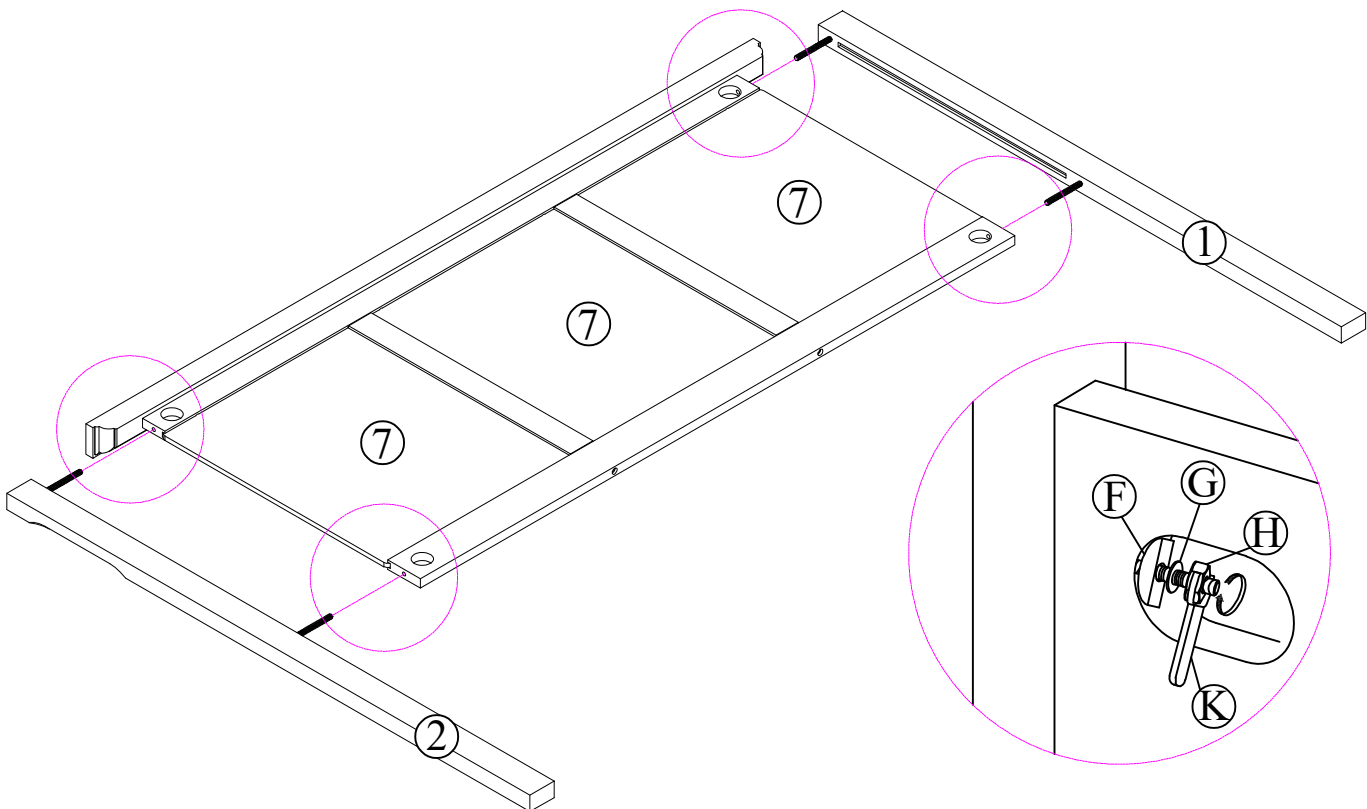


4PCS

K



1PC

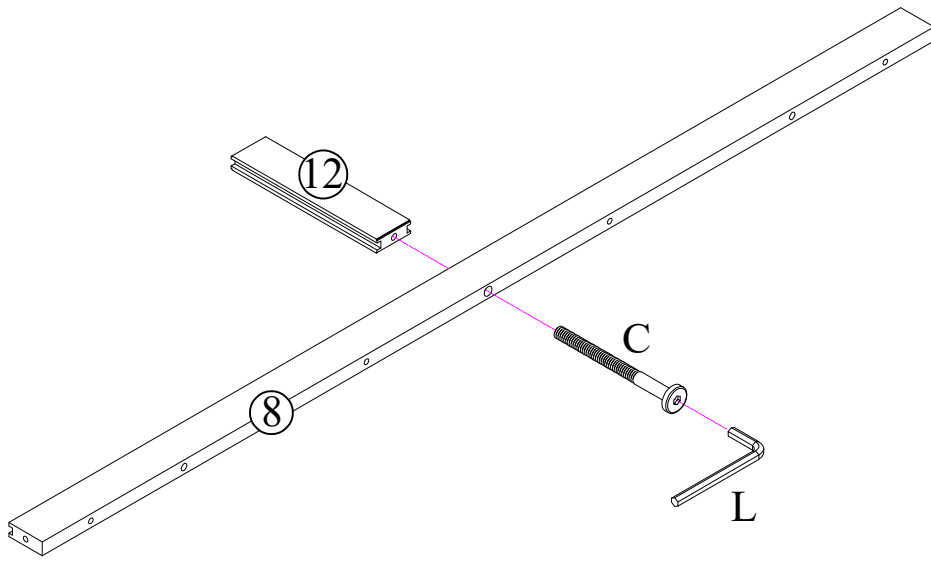


STEP 6:

C



1PC



STEP 7:

A

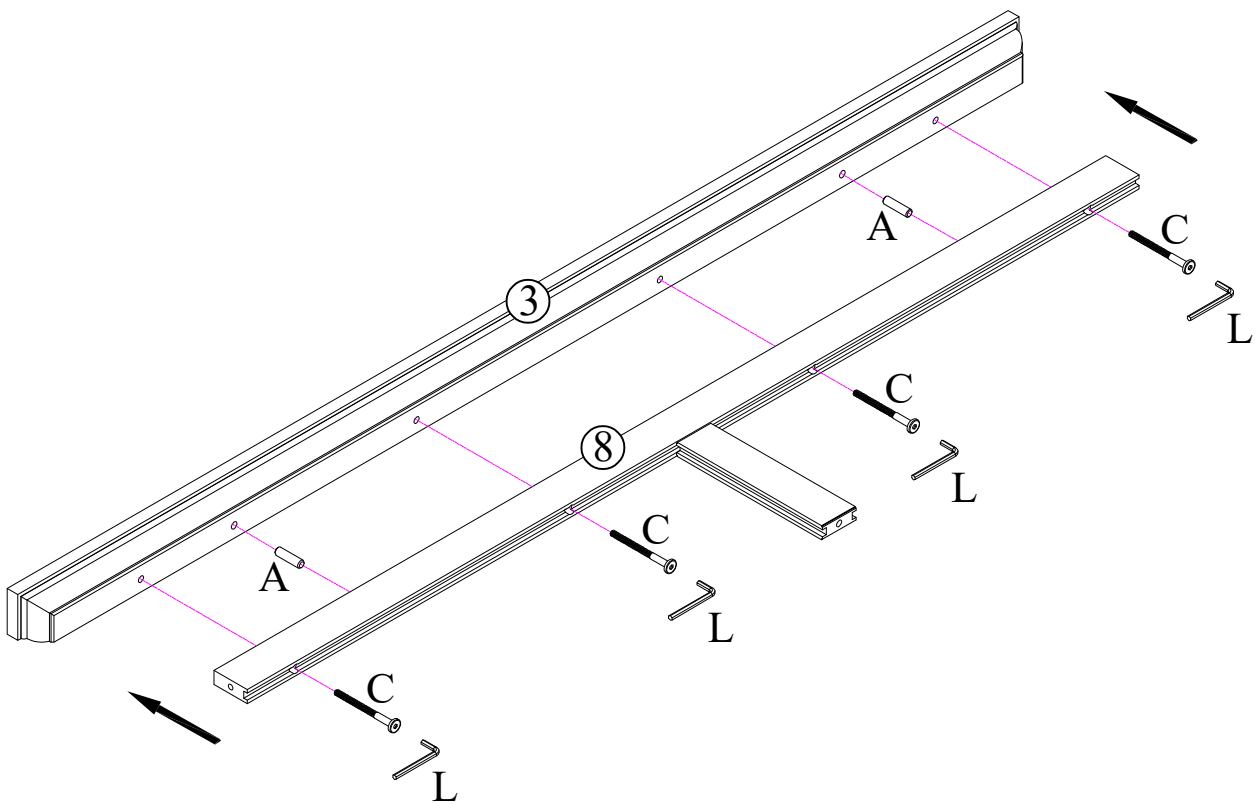


2PCS

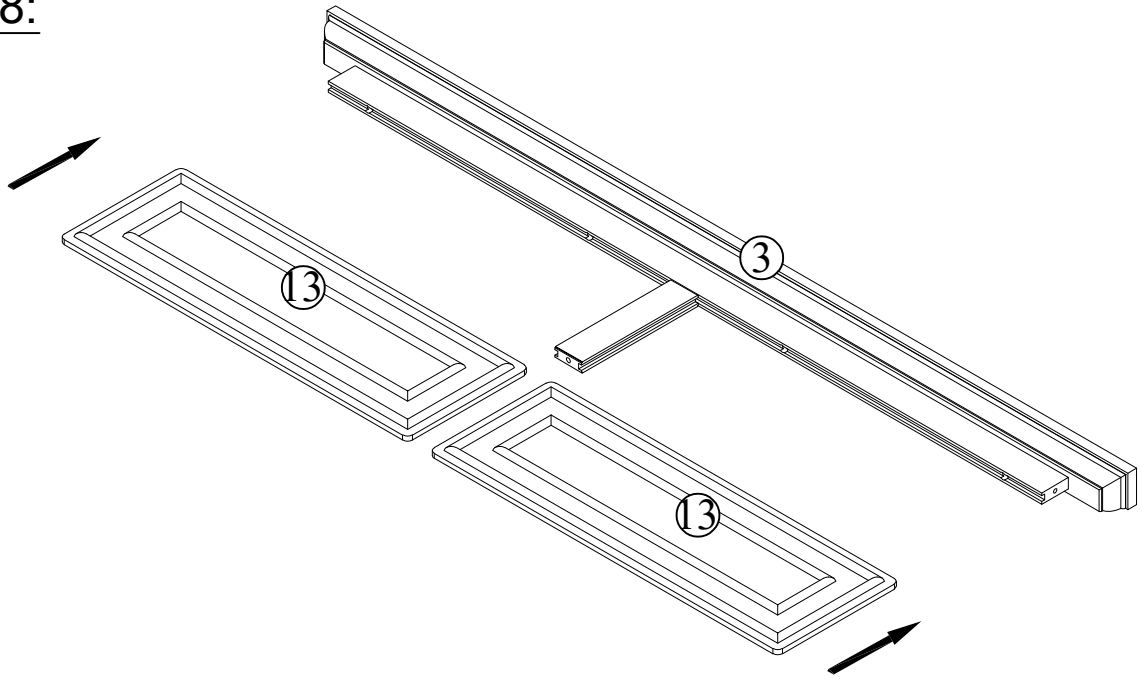
C



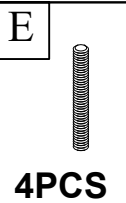
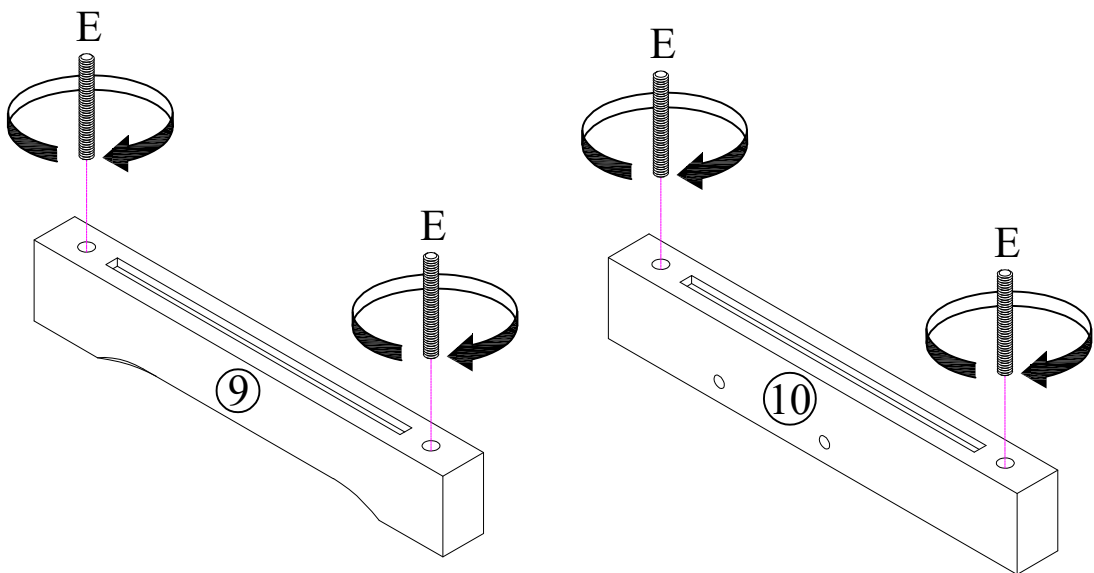
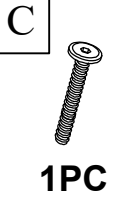
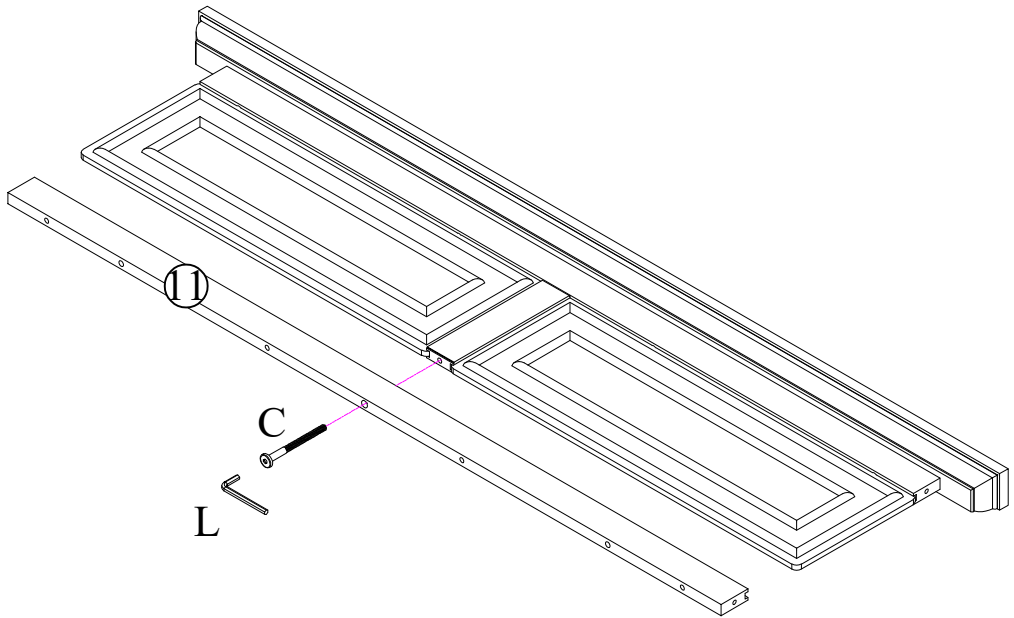
4PCS






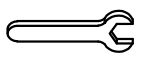
STEP 8:

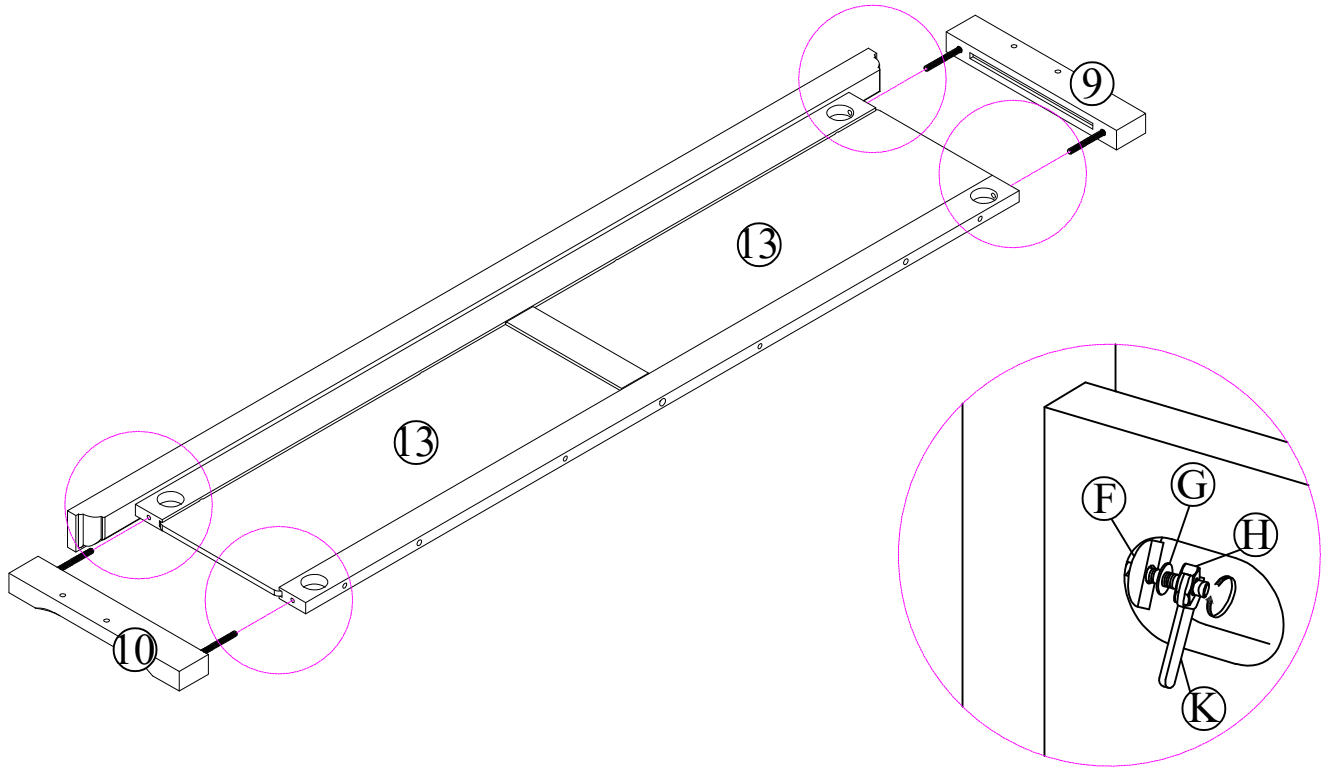


STEP 9:





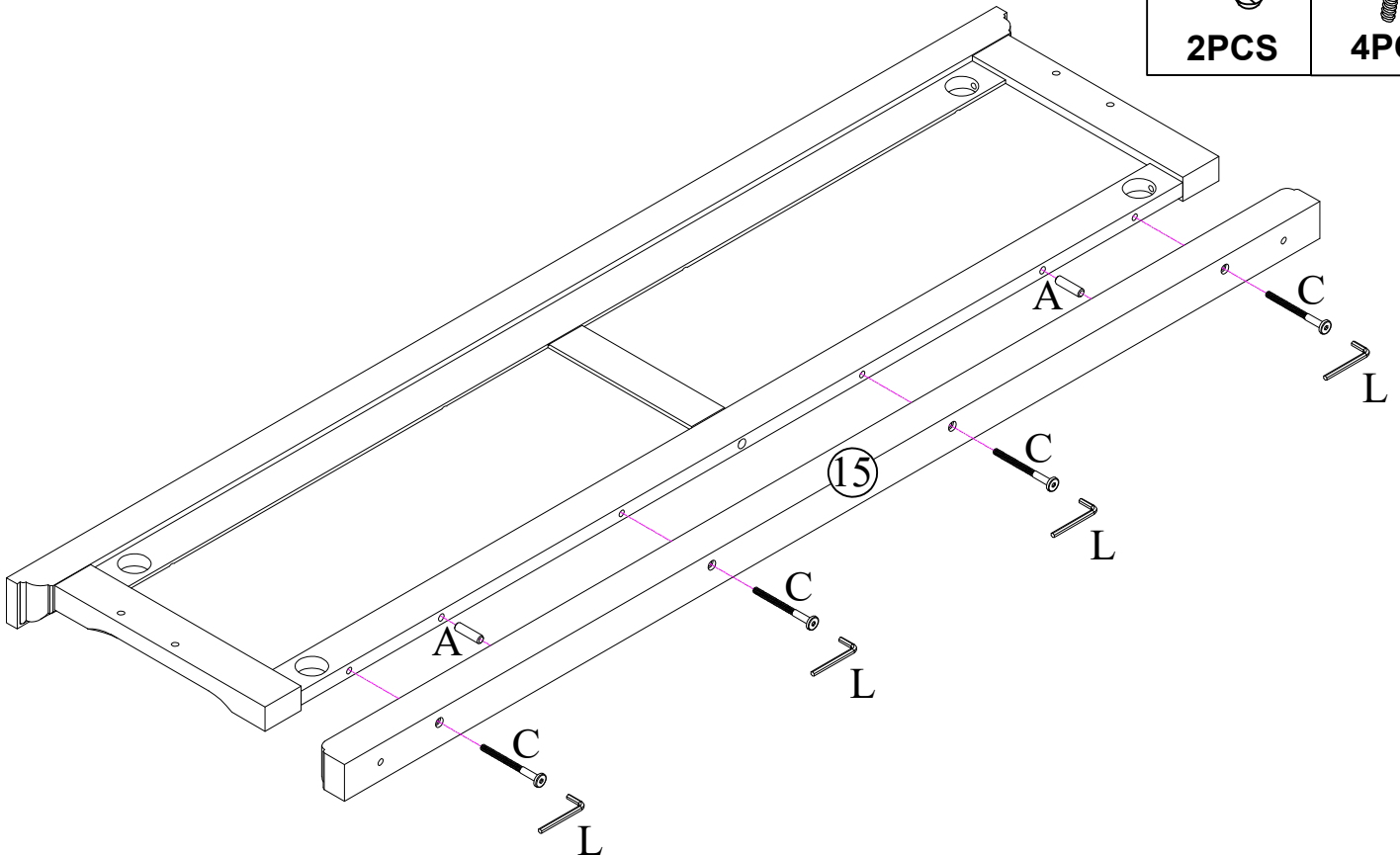
STEP 10:

F  4PCS	G  4PCS	H  4PCS	K  1PC
---	--	--	---

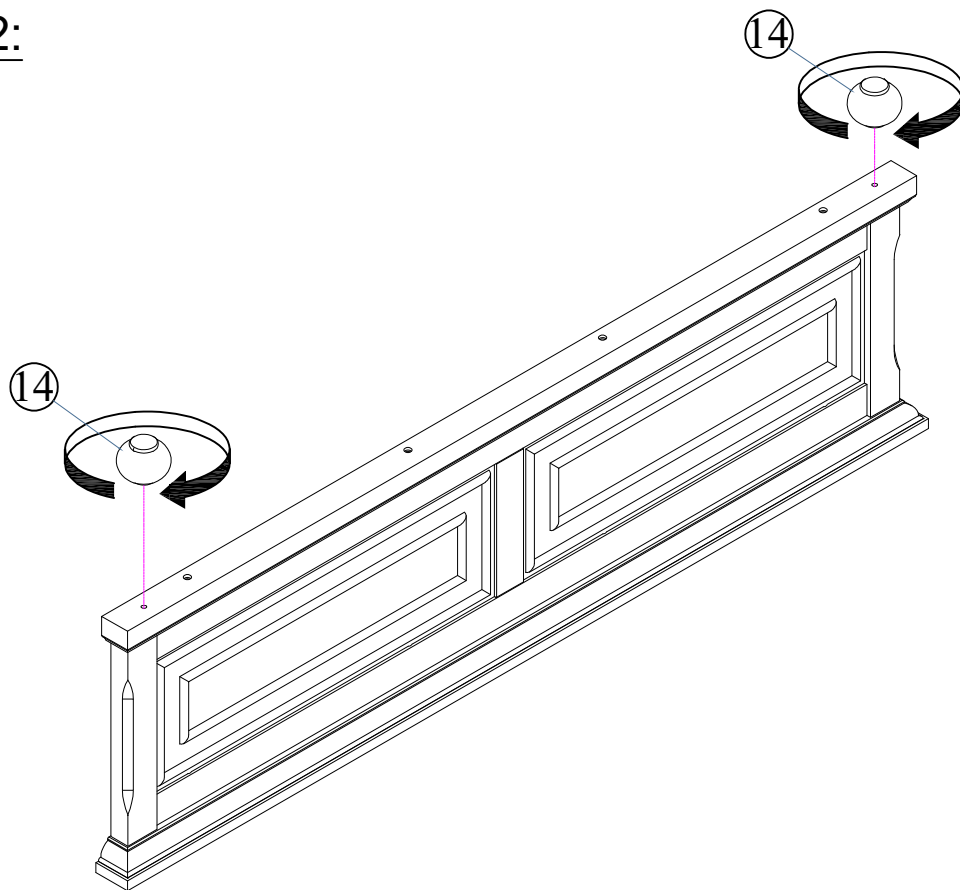


STEP 11:

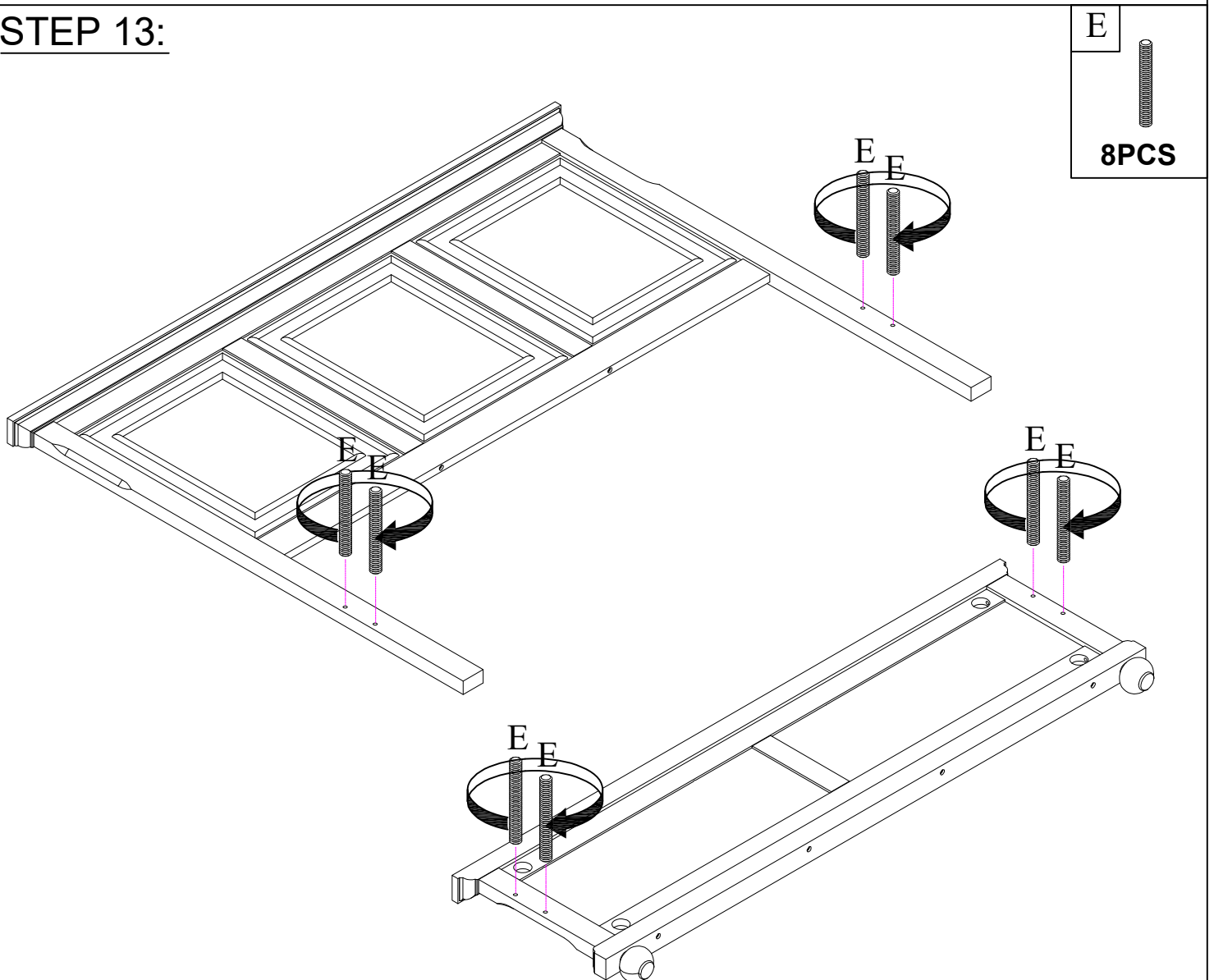
A  2PCS	C  4PCS
--	--



STEP 12:



STEP 13:

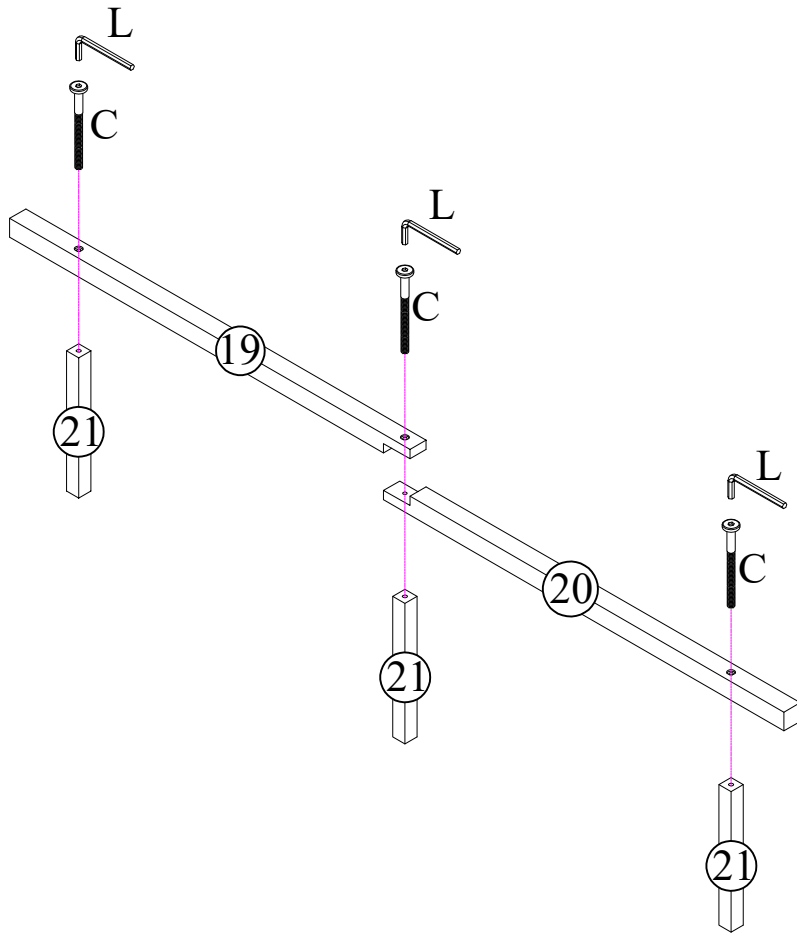


STEP 14:

C



3PCS

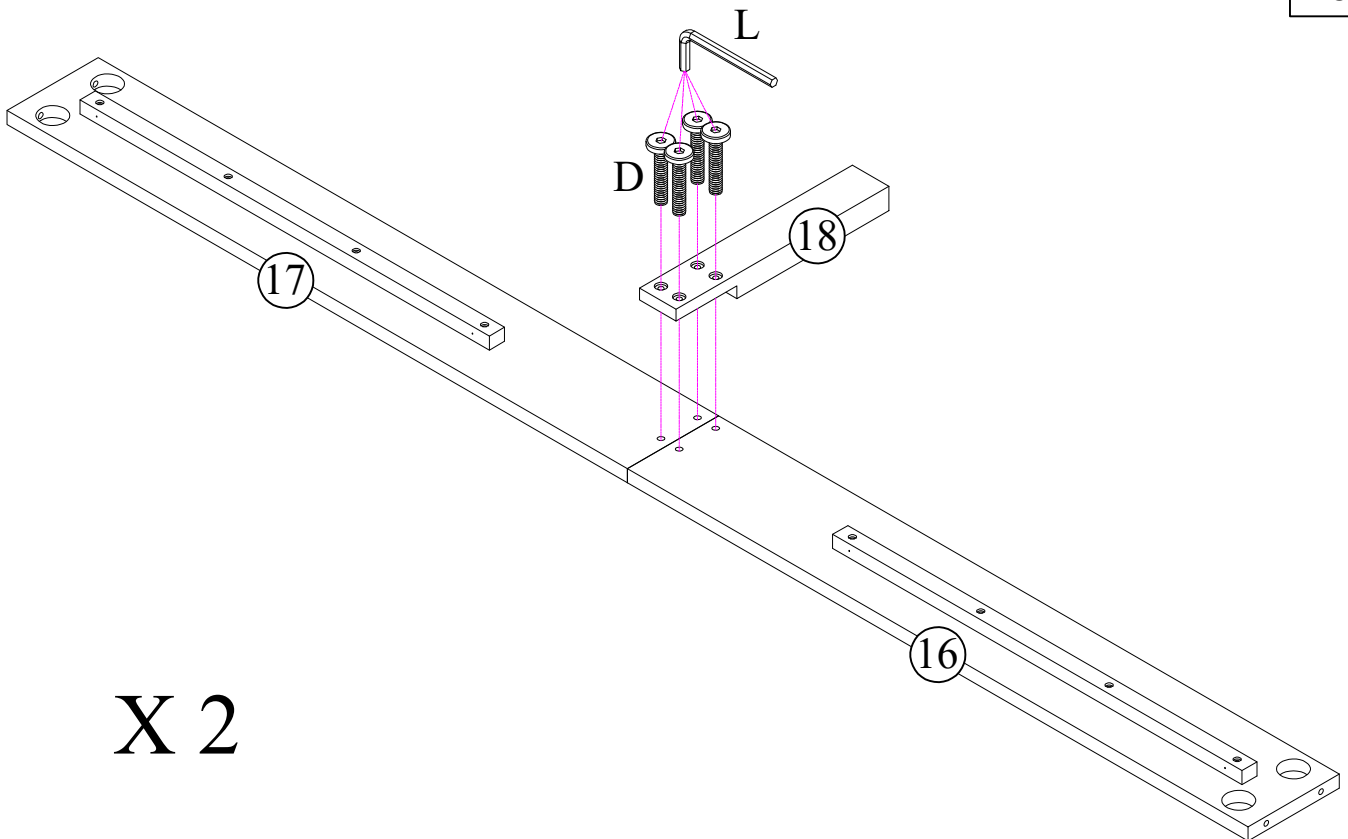


STEP 15:




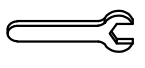
D

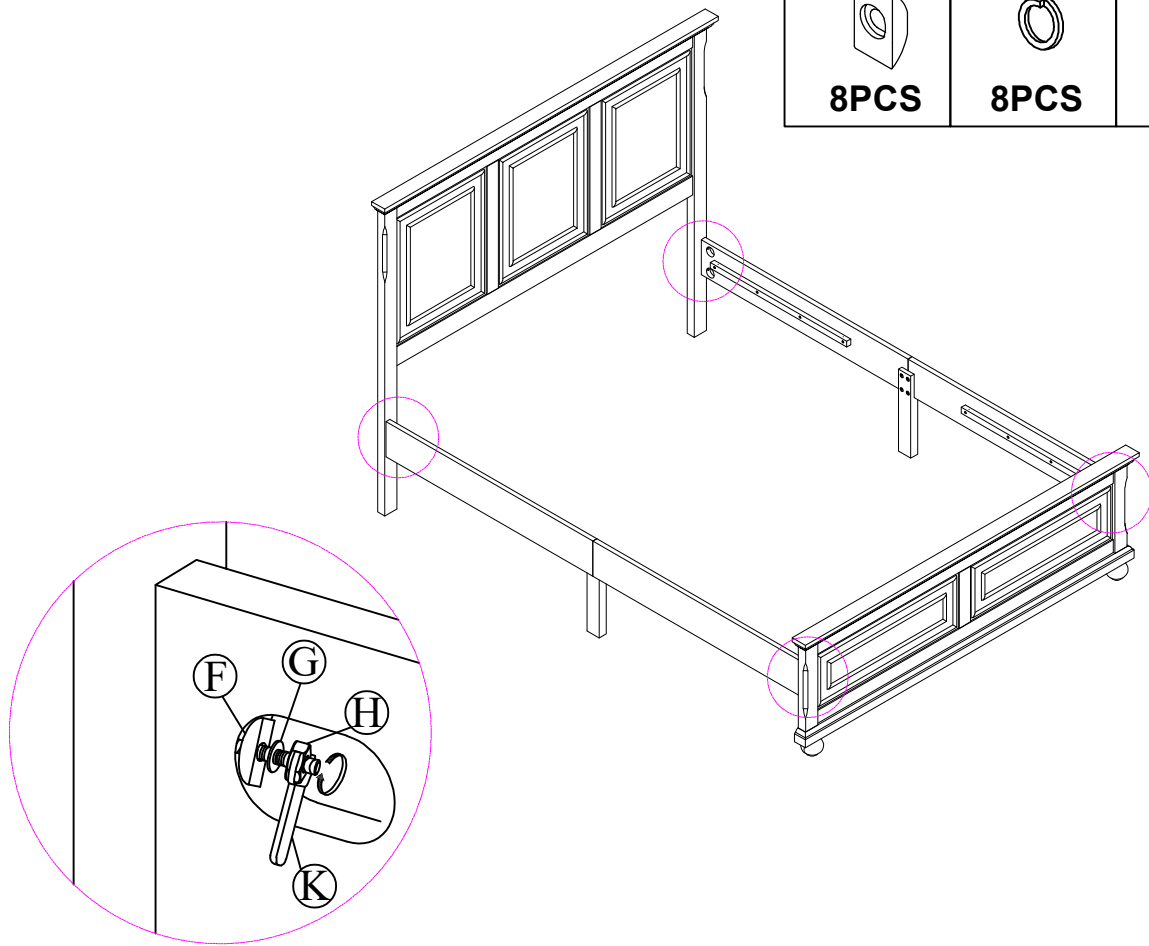


8PCS




STEP 8:

F  8PCS	G  8PCS	H  8PCS	K  1PC
---	--	--	---



STEP 9:

I  12PCS

