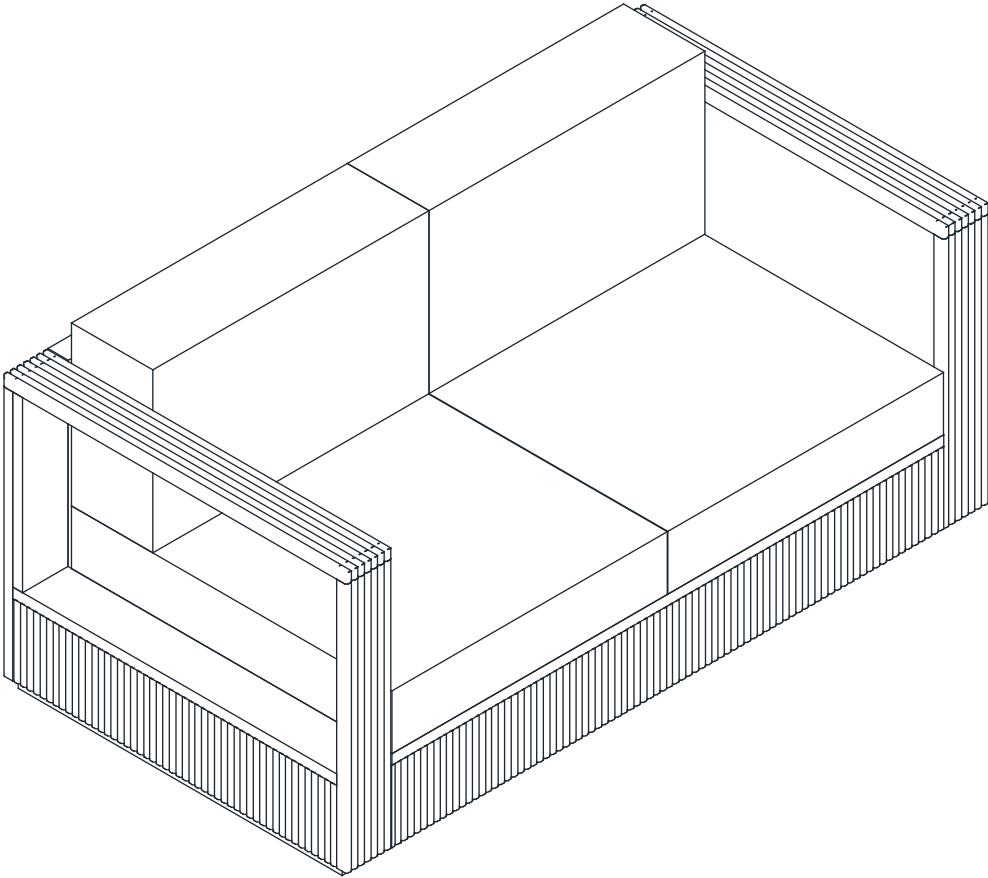


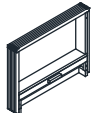
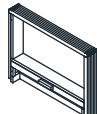
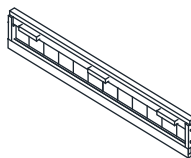
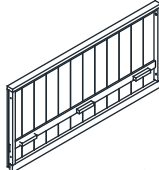
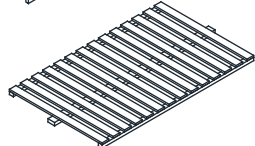
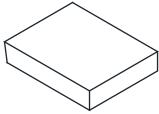
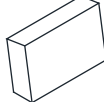
# TEAK WOOD PATIO LOVESEAT

Assembly Instructions






Every thing we make is incredibly simple to set up, including your new loveseat. You won't need any additional tools.

### Parts List

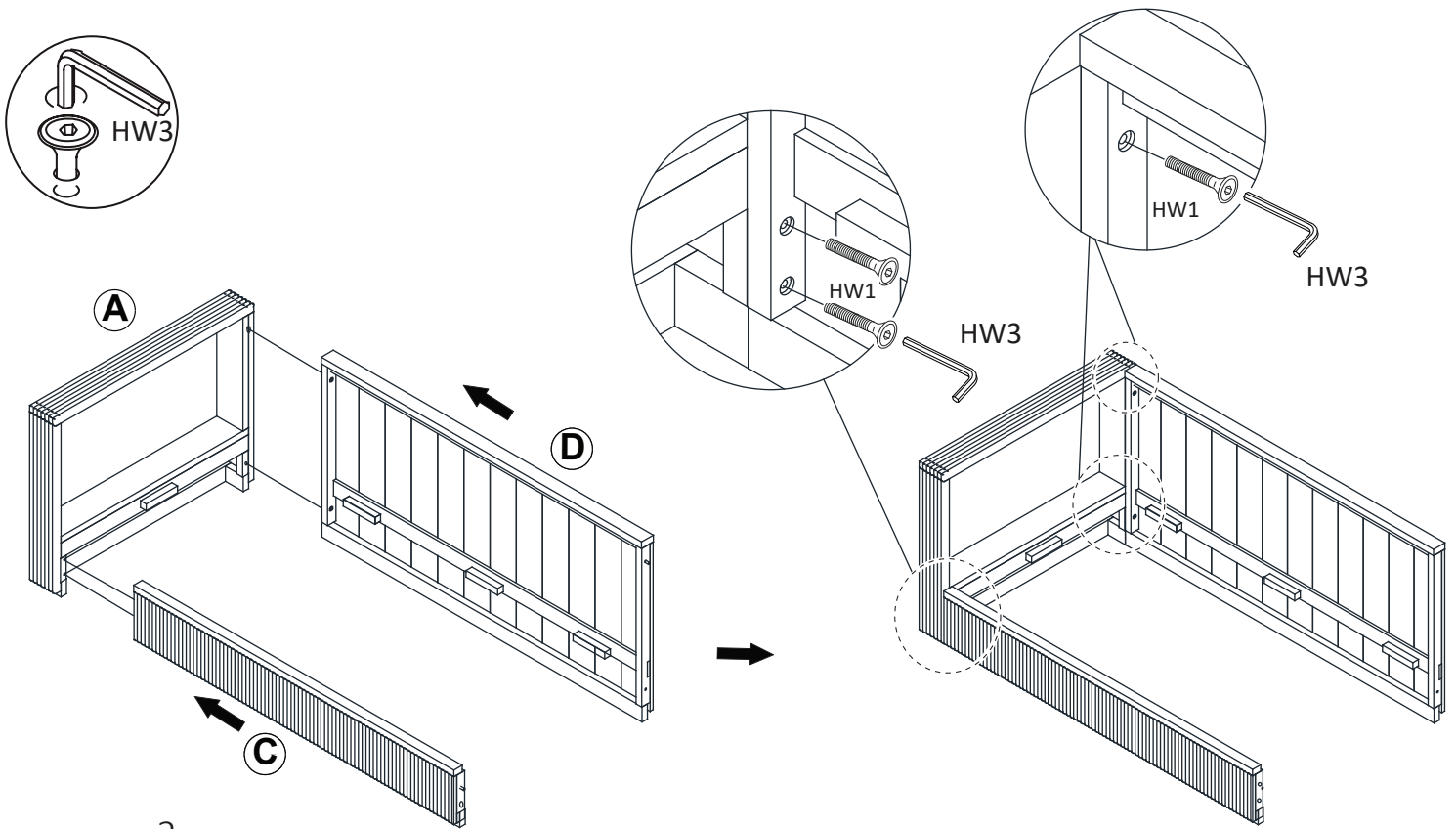
- A x 1  
Right leg Panel 
- B x 1  
Left leg Panel 
- C x 1  
Front panel 
- D x 1  
Back panel 
- E x 1  
Seat panel 
- CSH1 x 2  
Seat Cushion 
- CSH2 x 2  
Back Cushion 

### Hardware List

- HW1 x 8  
Allen Bolt: M6x0.5x35 mm 
- HW2 x 2  
Allen Screw: M6x0.5x35 mm 
- HW3 x 1  
Allen key 

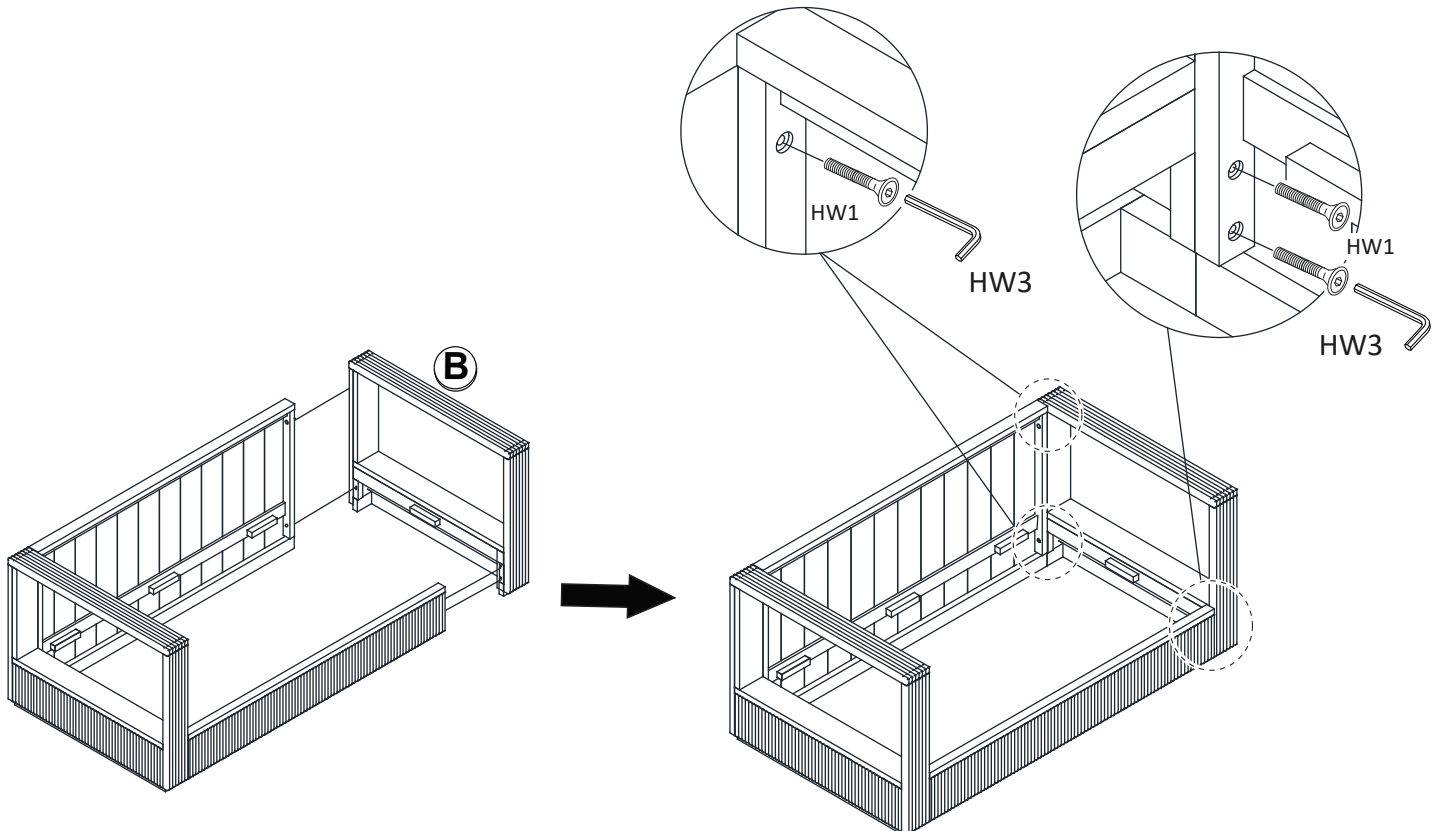
1

Attach Front panel (C), and Back panel (D) to Right leg Panel (A), use Bolt (HW1) tighten with allen key (HW3).in the spots shown below.



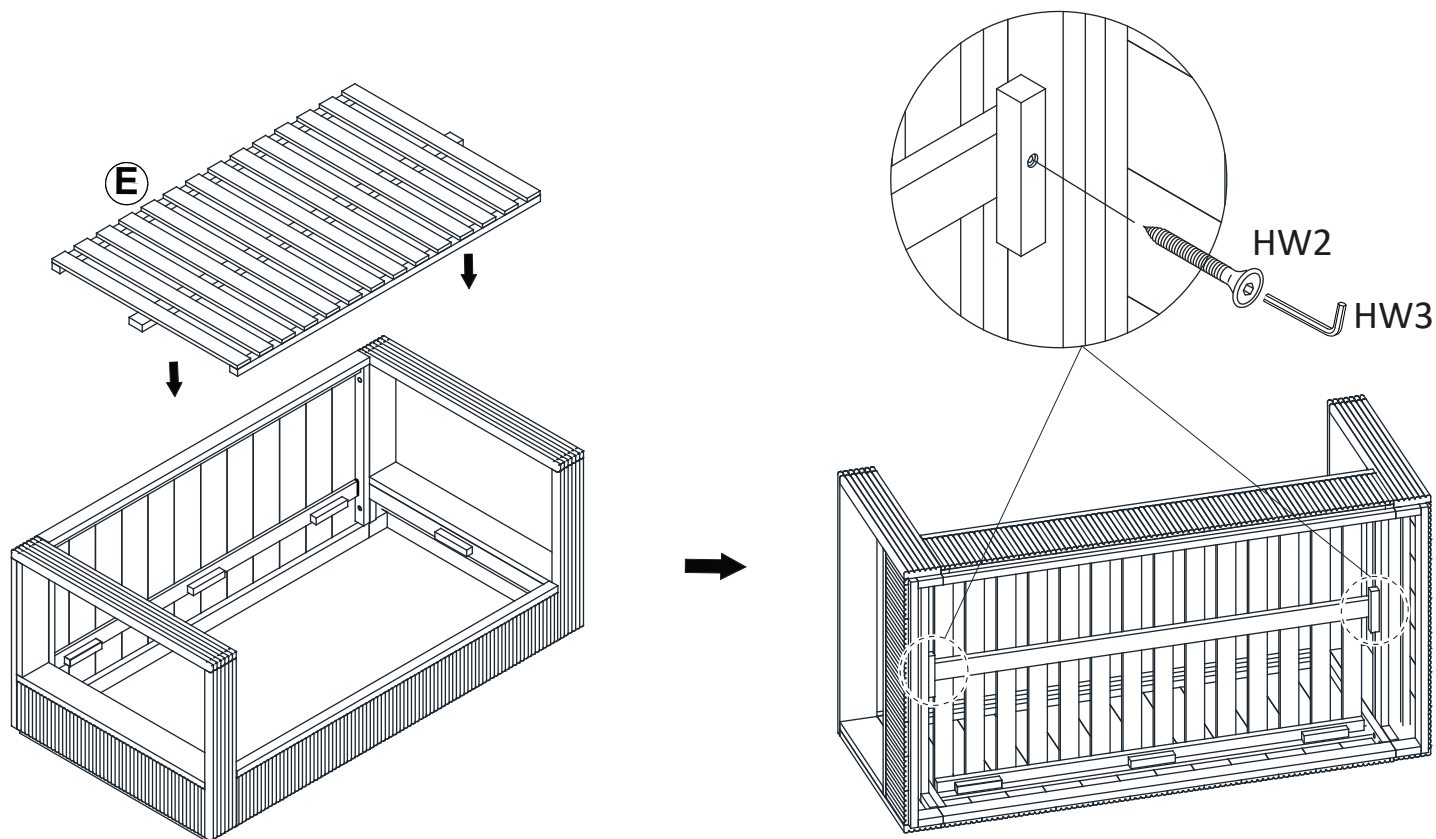
2

Attach Left leg Panel (B) to Front panel (C) and Back panel(D),use Bolt (HW1) tighten with allen key (HW3).in the spots shown below.



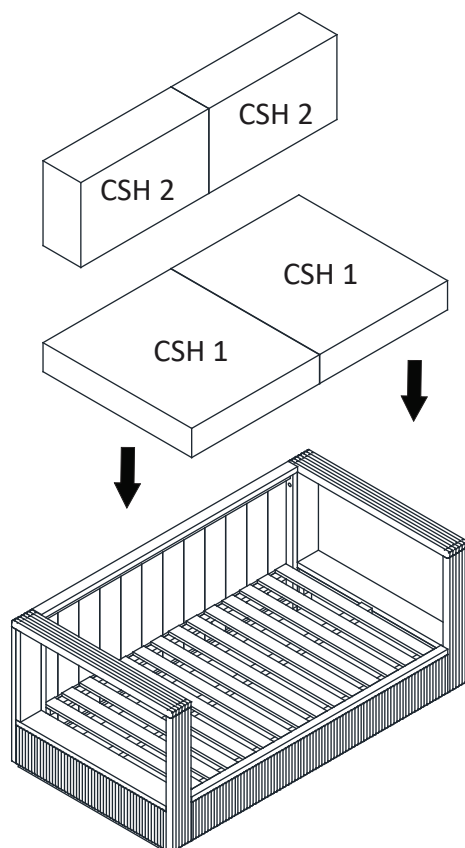
5

Attach Seat panel (E) to ArmChair .Use Screw (HW2) tighten with allen key (HW3) in the spots shown below.



6

Attach Seat Cushion (CSH1) and Back Cushion (CSH2) in Chair.



Place the loveseat in the place where you will use it. We'd love to see it – just tag us and use the hashtag on Instagram!

