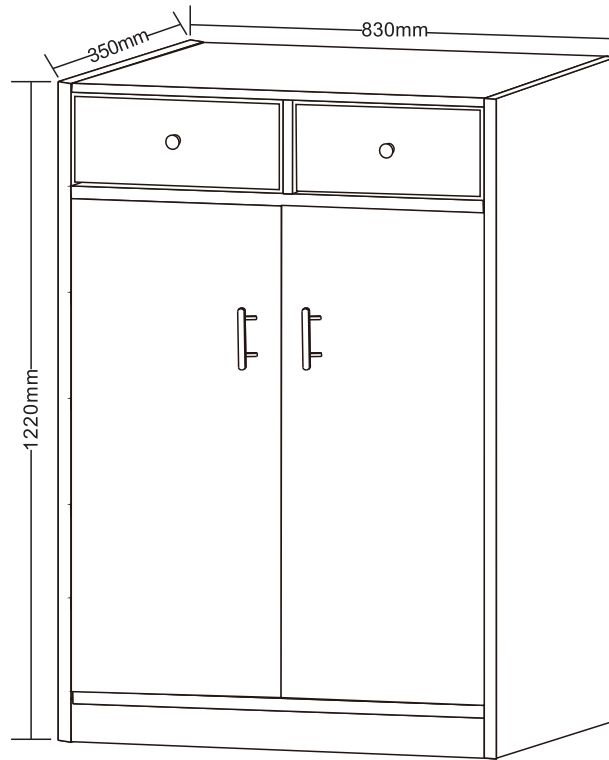


Assembly Instruction of Shoe Cabinet

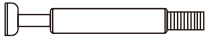

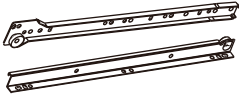
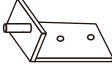



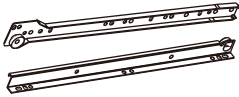



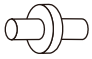










Thank you for purchasing our product!

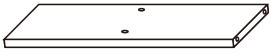
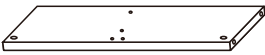

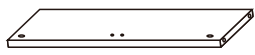
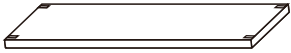

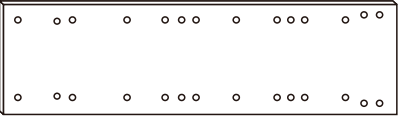
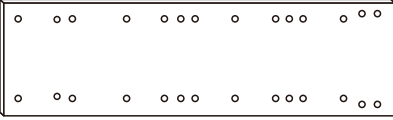



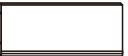
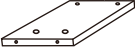
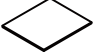
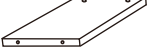

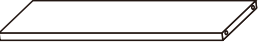
Please assemble the products with the guidance of this manual instruction.

We appreciate your business!

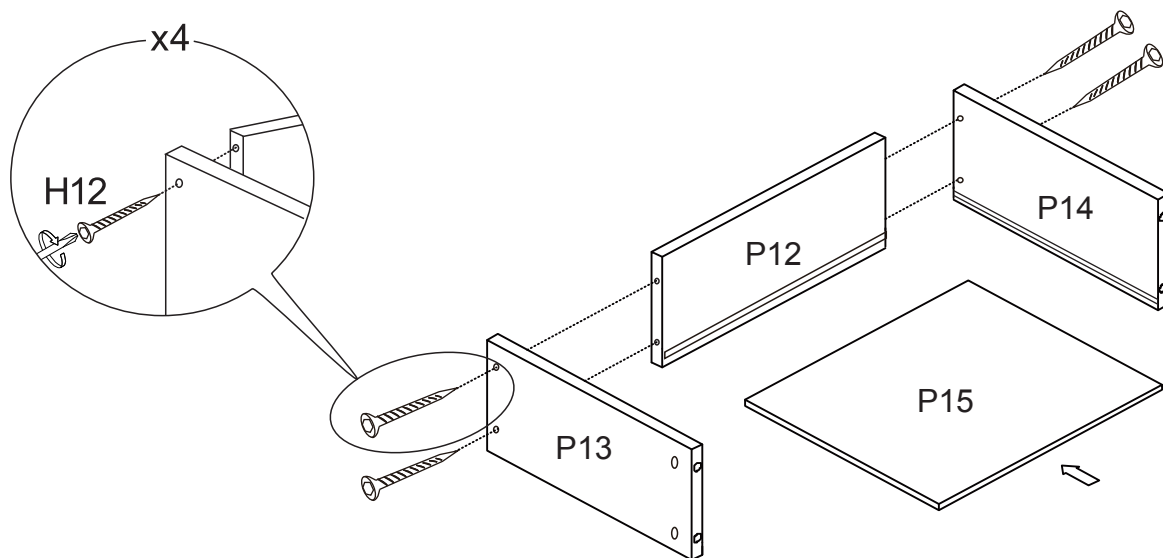
Hardware List

 H1x10PCS Camlock bolt	 H2x10PCS Camlock	 H3x2PCS Left drawer slider	 H4x4PCS Door hinge	 H5x2PCS Drawer handle
 H6x2PCS Door handle	 H8x2PCS Magnetic	 H10x2PCS Right drawer slider	 H13x24PCS Small head nail	 H14x4PCS Big head nail
 H15x4PCS Magnetic bar	 H16x8PCS Shelf pin	 H17x20PCS PVC sticker	 H7x4PCS Short handle bolt ϕ 4x18	 H9x20PCS Screw ϕ 3x10
 H11x10PCS Wooden dowel ϕ 6x30	 H12x30PCS Screw ϕ 4x30	 H18x8PCS Screw ϕ 4x14	 H19x4PCS Screw ϕ 3x14	 H20x2PCS Long handle bolt ϕ 4x20

Part List

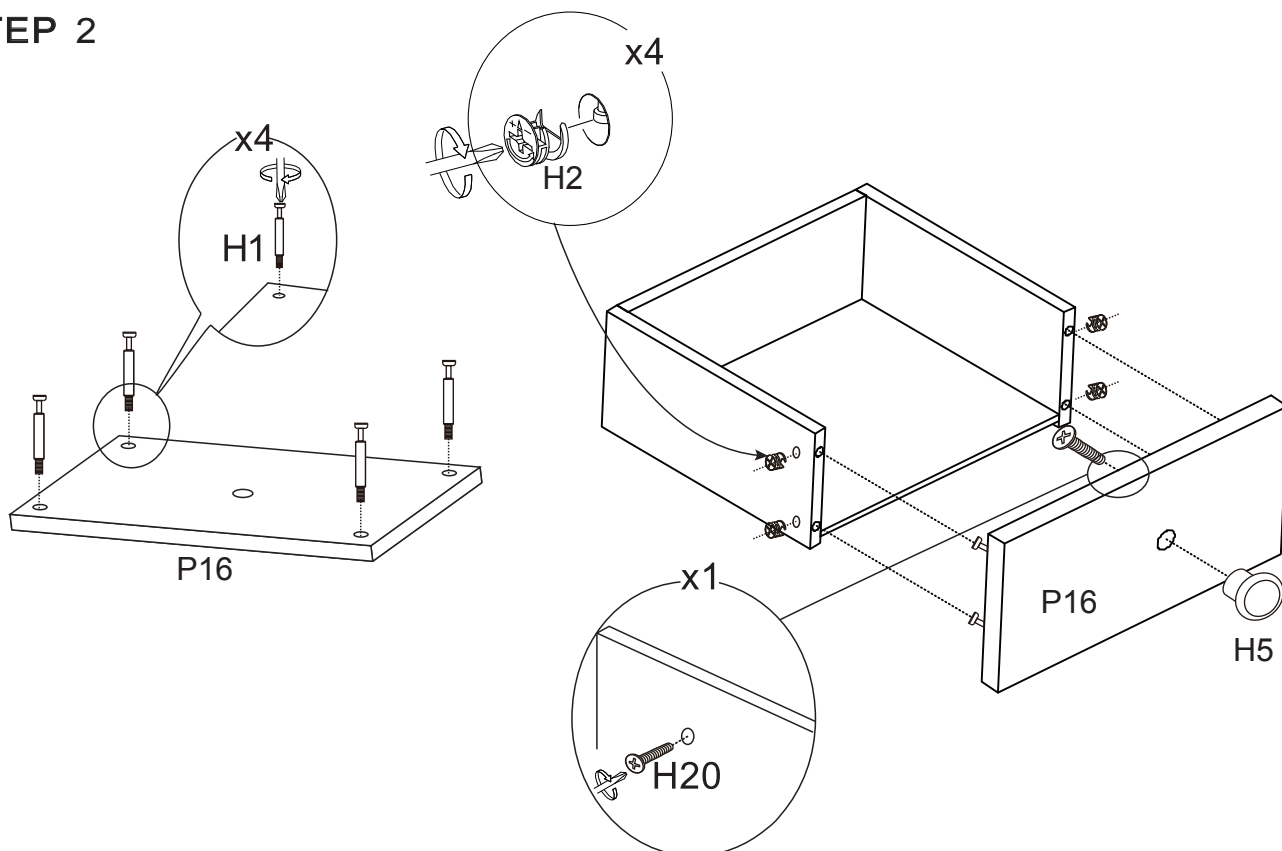
 P1x1PCS Top panel	 P2x1PCS Top shelf	 P3x2PCS Bottom slat	 P4x1PCS Bottom panel
 P5x2PCS Adjustable shelf	 P6x1PCS Drawer divider panel	 P7x1PCS Left side panel	
 P8x1PCS Right side panel	 P9x1PCS Left door	 P10x1PCS Right door	
 P11x2PCS Back panel	 P12x2PCS Drawer back panel	 P13x2PCS Drawer left panel	 P15x2PCS Drawer bottom panel
	 P14x2PCS Drawer right panel	 P16x2PCS Drawer front panel	 P17x2PCS Middle fixed shelf

STEP 1



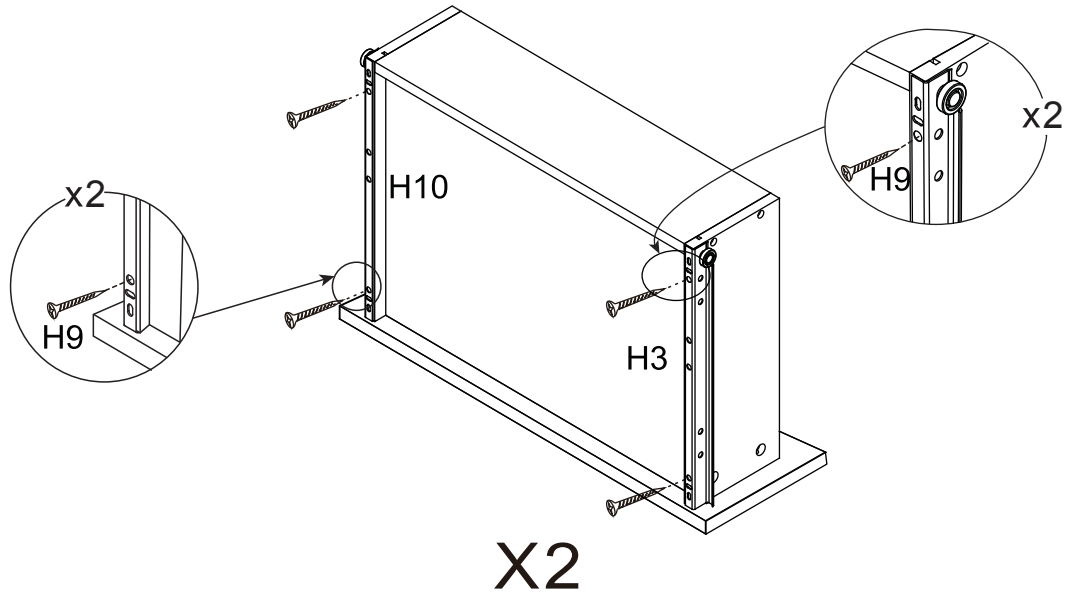
Assemble Drawer left panel(P13)&Drawer right panel(P14)& Drawer back panel(P12) by using Screw(H12),then Insert Drawer bottom panel(P15) as shown

STEP 2



Install Drawer front panel(P16) to assembled unit by using Camlock bolt(H1)&Camlock(H2),then assemble Drawer handle(H5) to Drawer front panel(P16)with Long handle bolt(H20) as shown

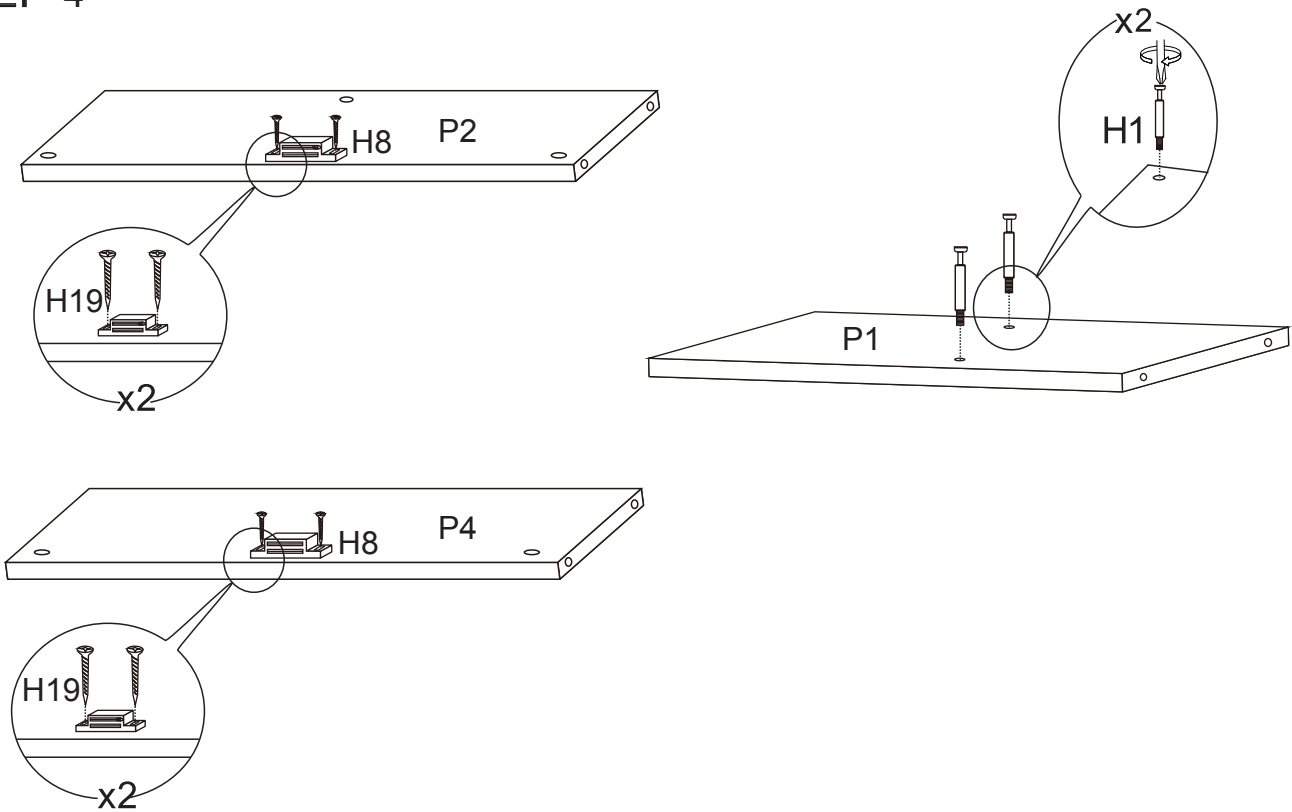
STEP 3



Assemble Left drawer slider(H3)&Right drawer slider(H10) to the bottom of drawer left&right panel by using Screw(H9) as shown

Then Repeat the above procedure for the other drawer

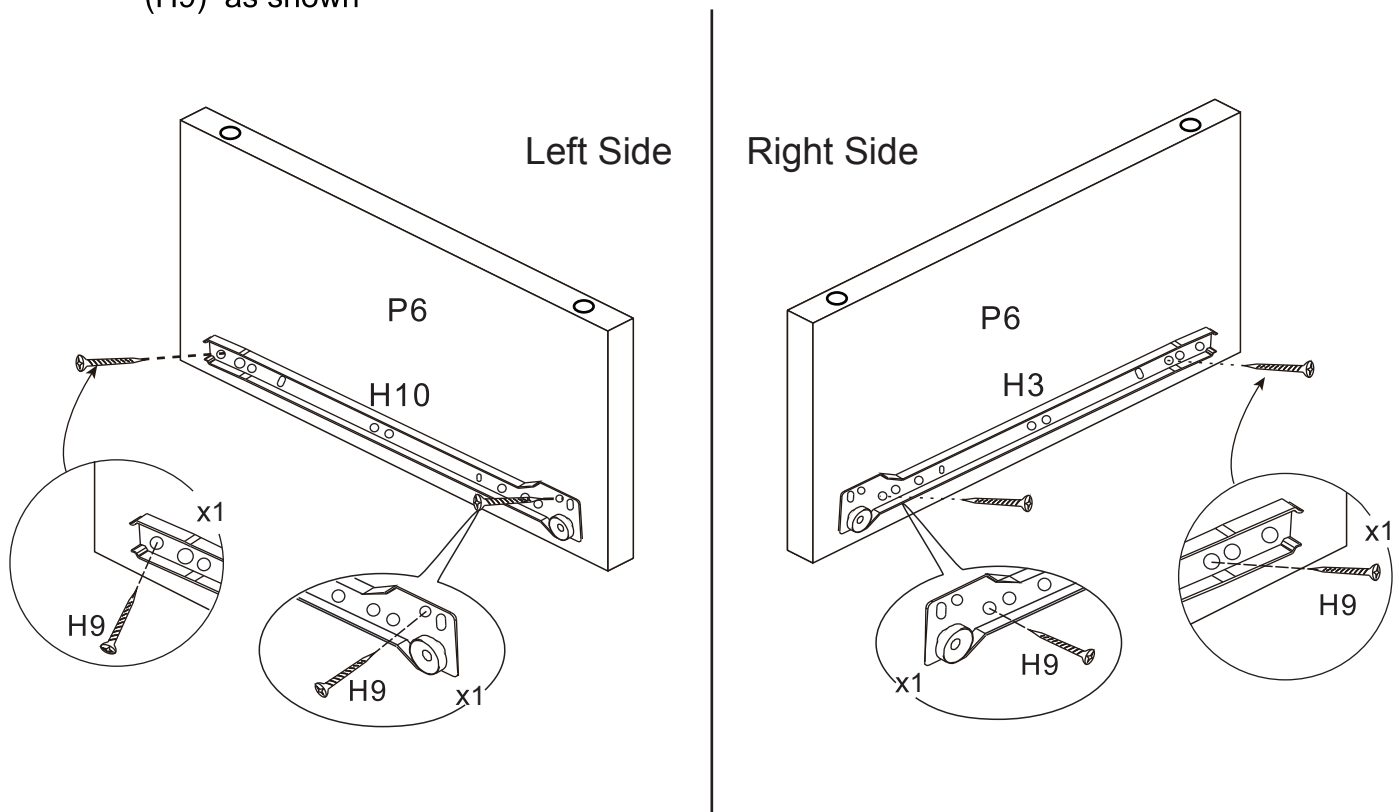
STEP 4



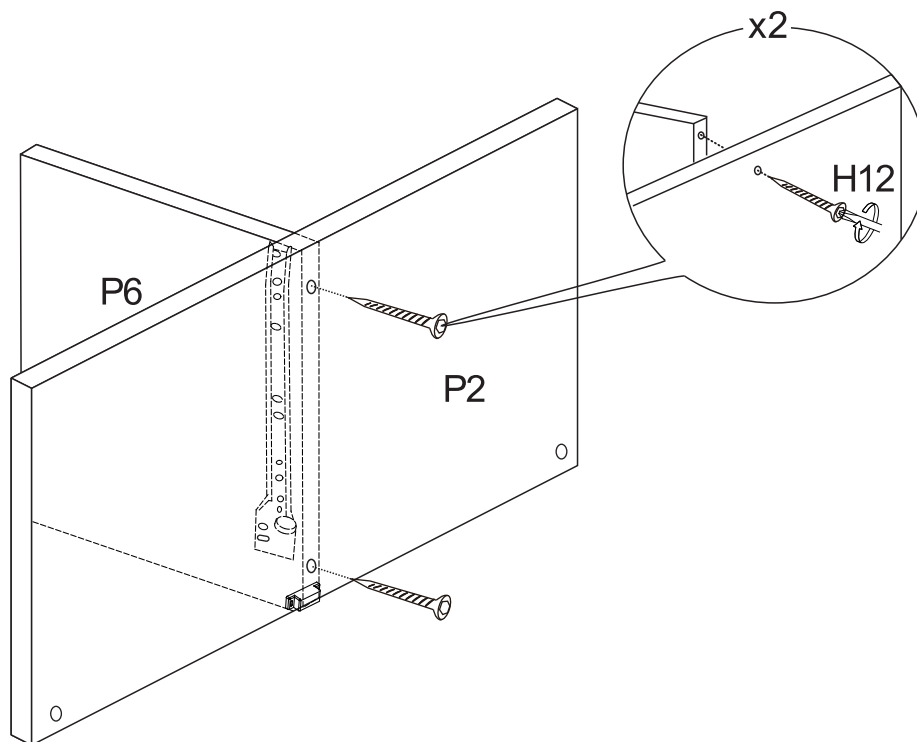
Assemble Magnetic(H8) to Top Shelf(P2) & Bottom Panel(P4) by using Screw(H19) as shown
Assemble Camlock bolt (H1) to Top panel (P1) as shown

STEP 5

Install Left drawer slider(H3)&Right drawer slider (H10) to Drawer divider panel(P6) by using Screw (H9) as shown

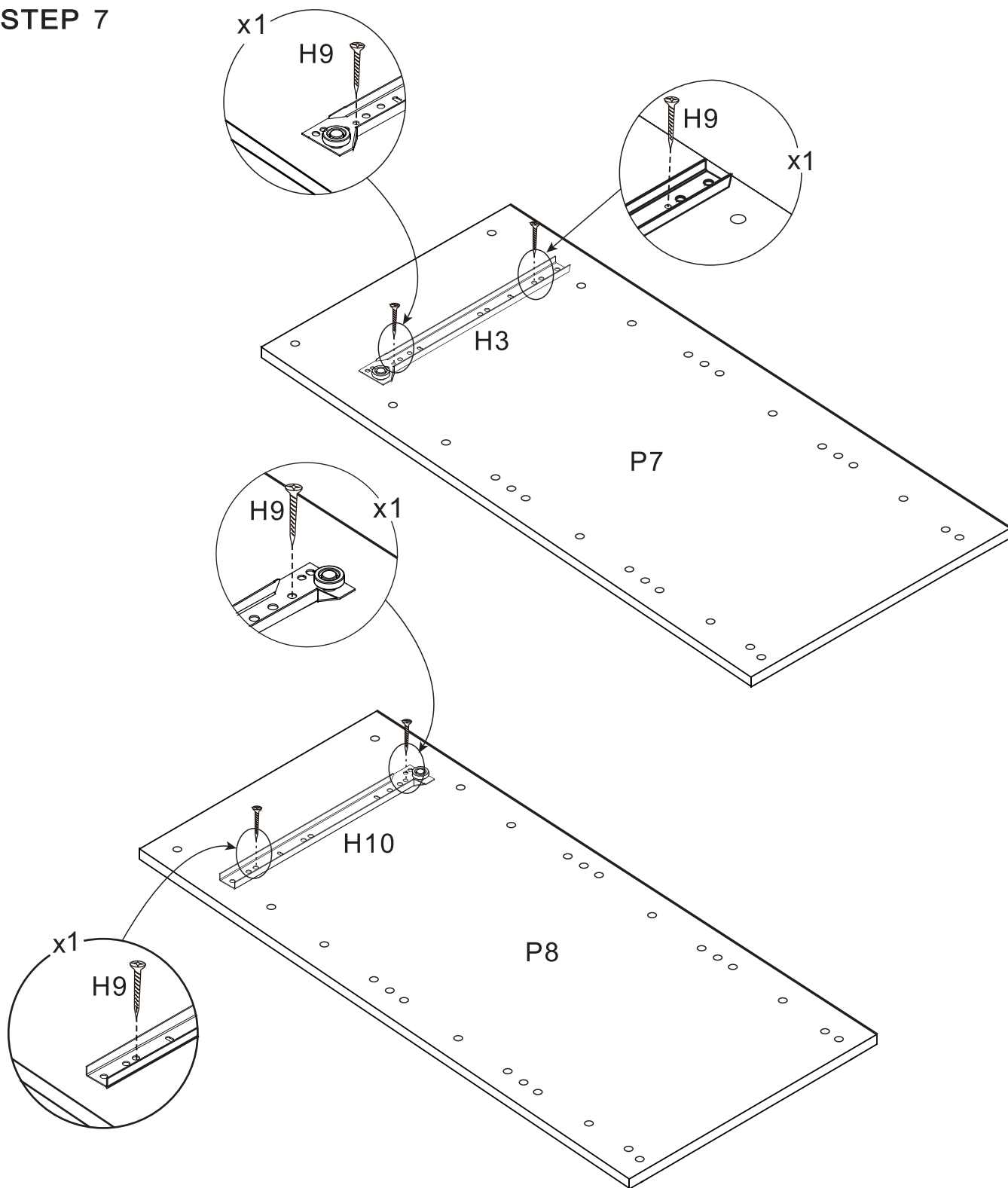


STEP 6



Then assemble Drawer divider panel(P6) and Top shelf(P2) by using Screw(12) as shown

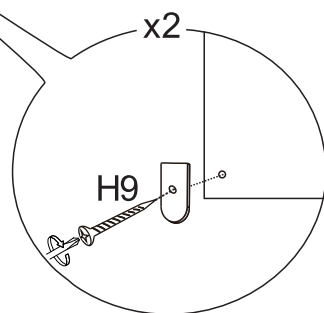
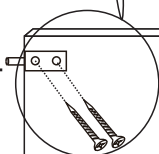
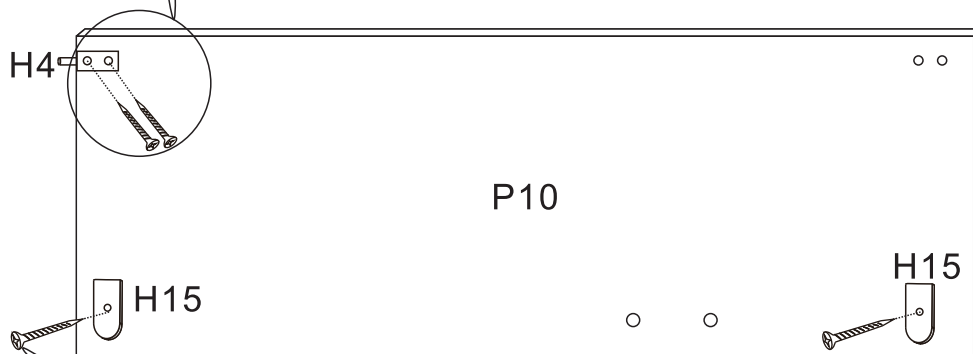
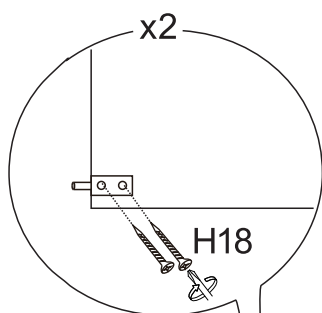
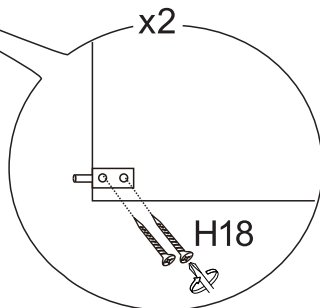
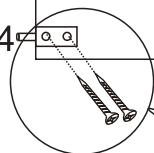
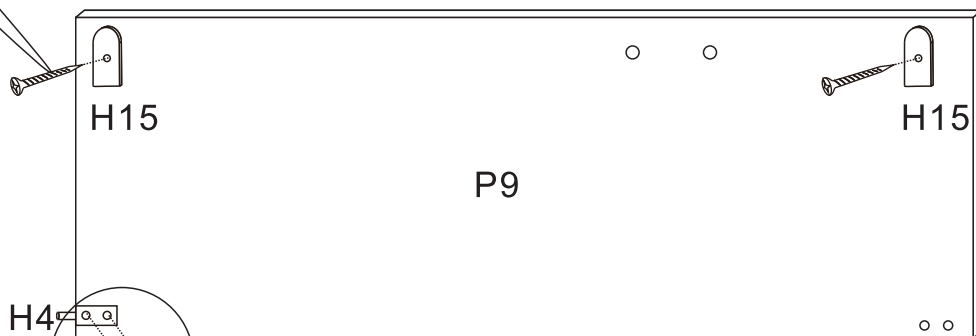
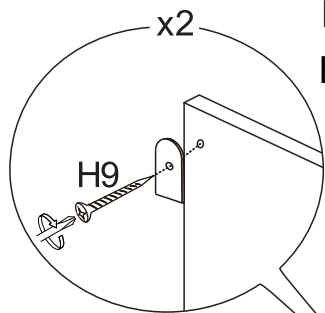
STEP 7



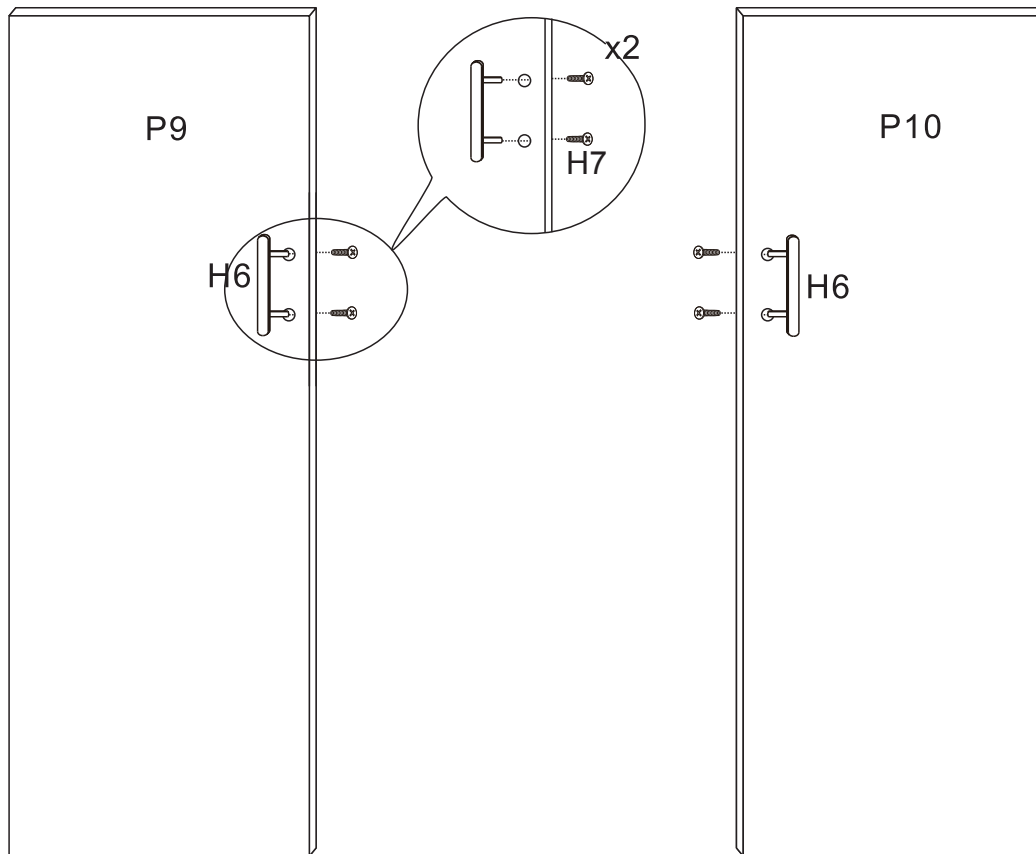
Assemble Left drawer slider(H3) to Left side panel(P7)
and assemble Right drawer slider(H10) to Right side
panel(P8)by using Screw(H9) as shown

STEP 8

Assemble Megnetic Bar(H15)to Left Door(P9) & Right Door(P10) by using Screw(H9), then assemble Door Hinge(H4) to Left(P9) & Right Door(P10) by using Screw(H18) as shown

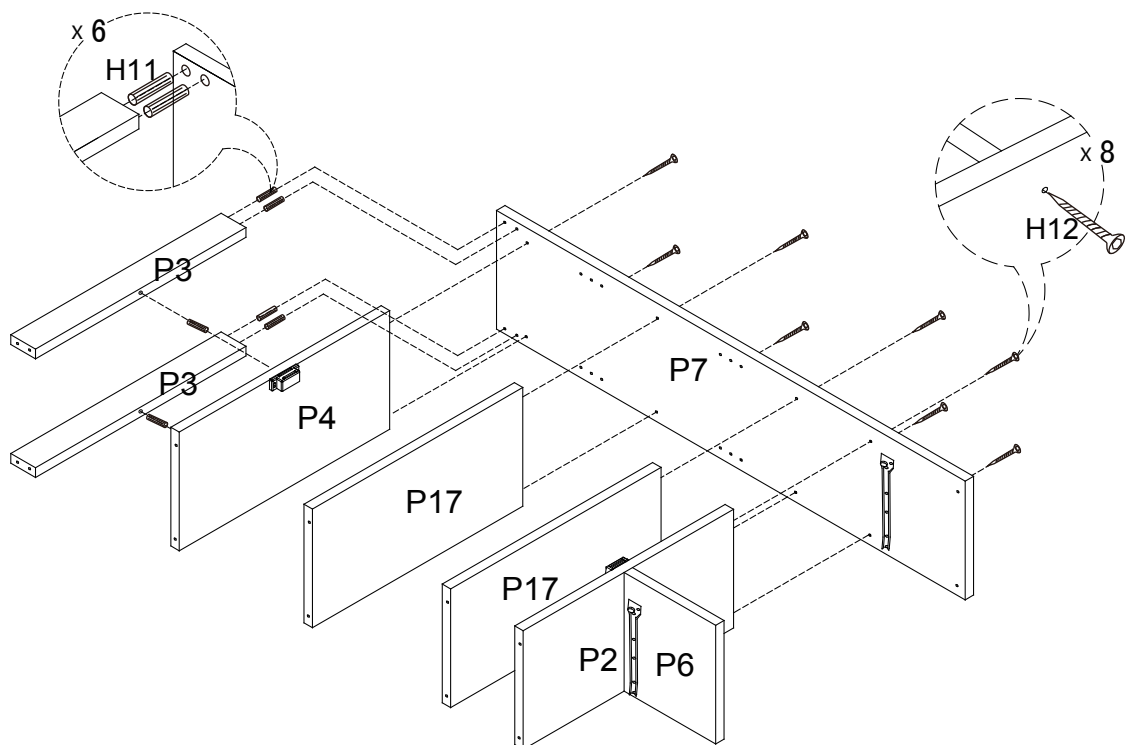


STEP 9



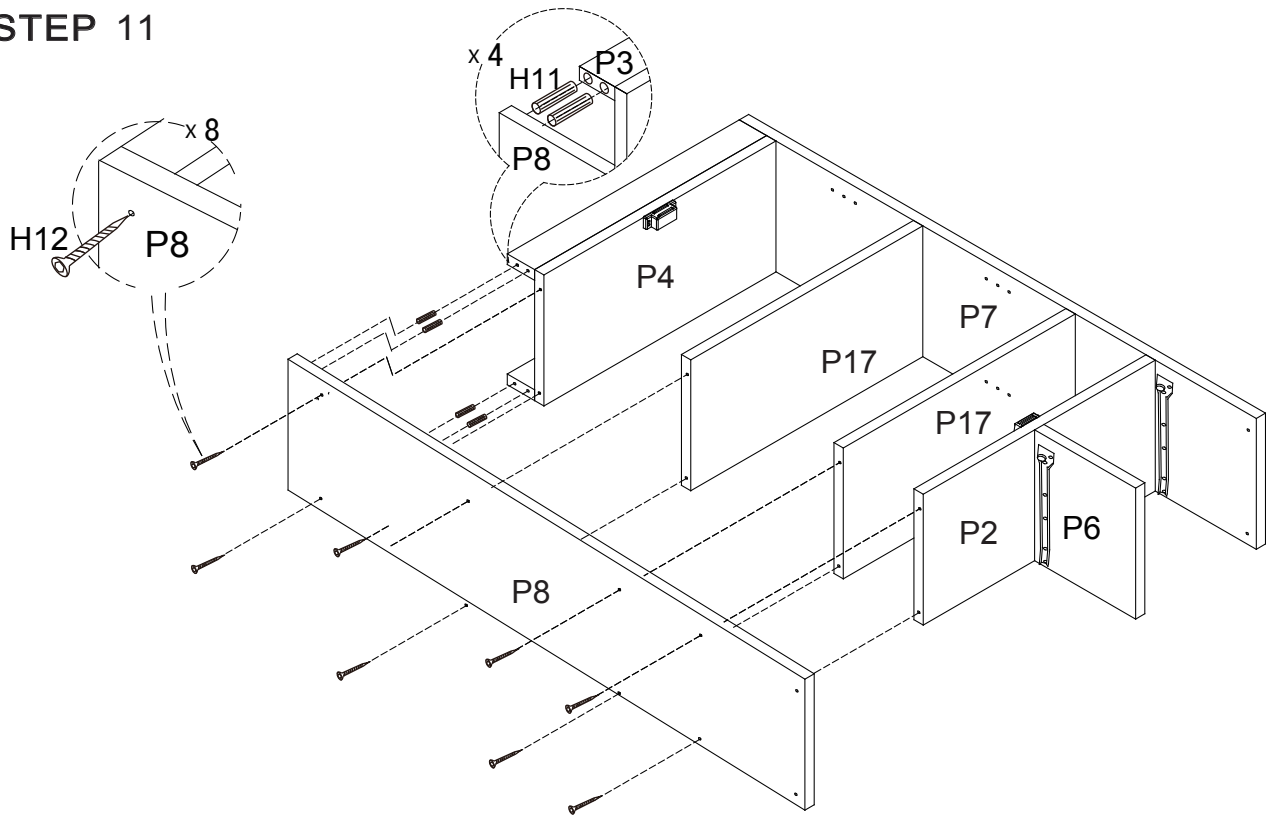
Assemble Door Handle(H6) to Left(P9) & Right Door(P10) by using Short Handle Bolt(H7) as shown

STEP 10



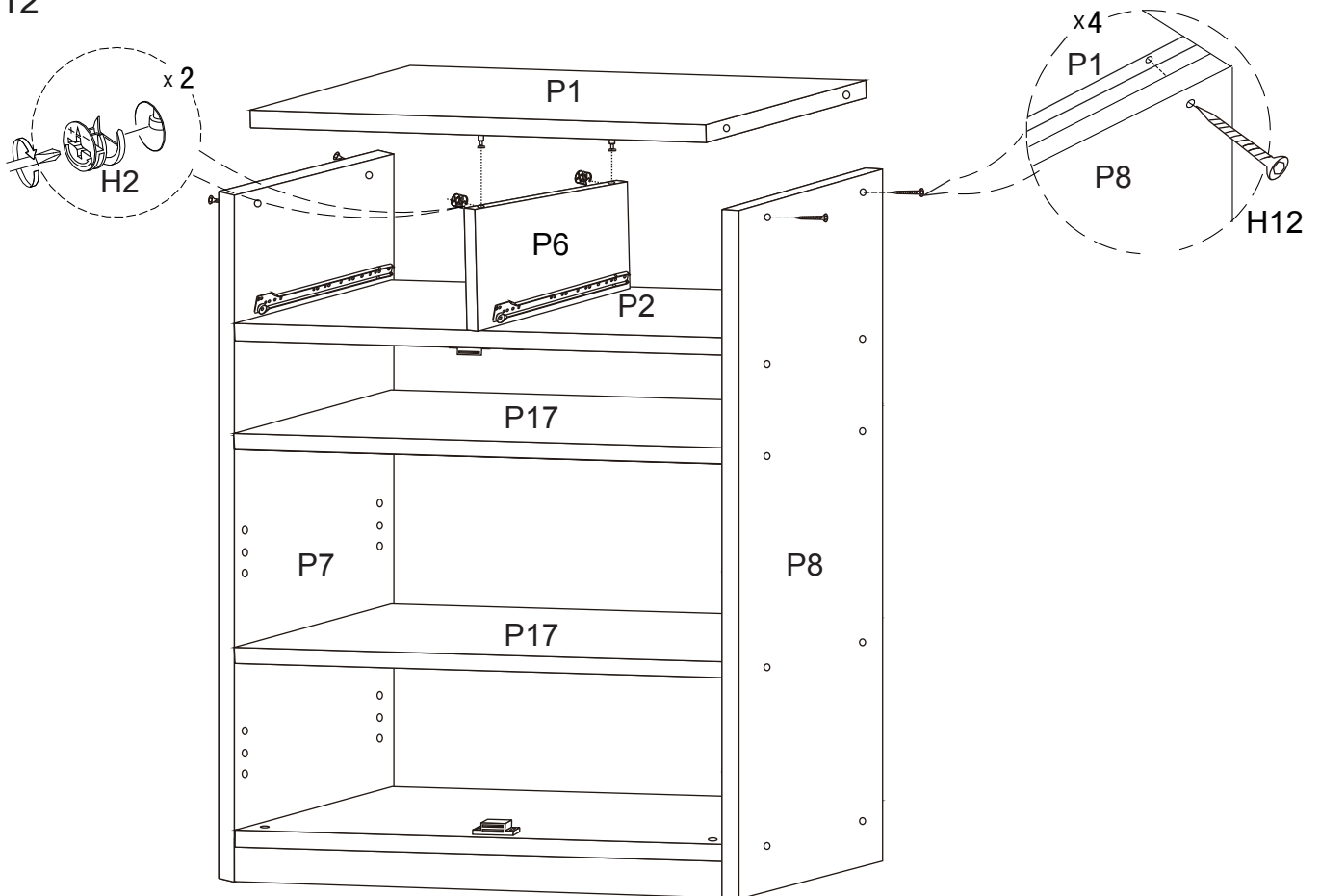
Assemble Top shelf(P2),Bottom panel(P4)and Middle fixed shelf(P17) to Left side panel(P7) by using Screw(H12),Then install Bottom slat(P3) to Bottom Panel(P4) & Left Side Panle(P7)by using Wooden Dowel(H11) as shown

STEP 11



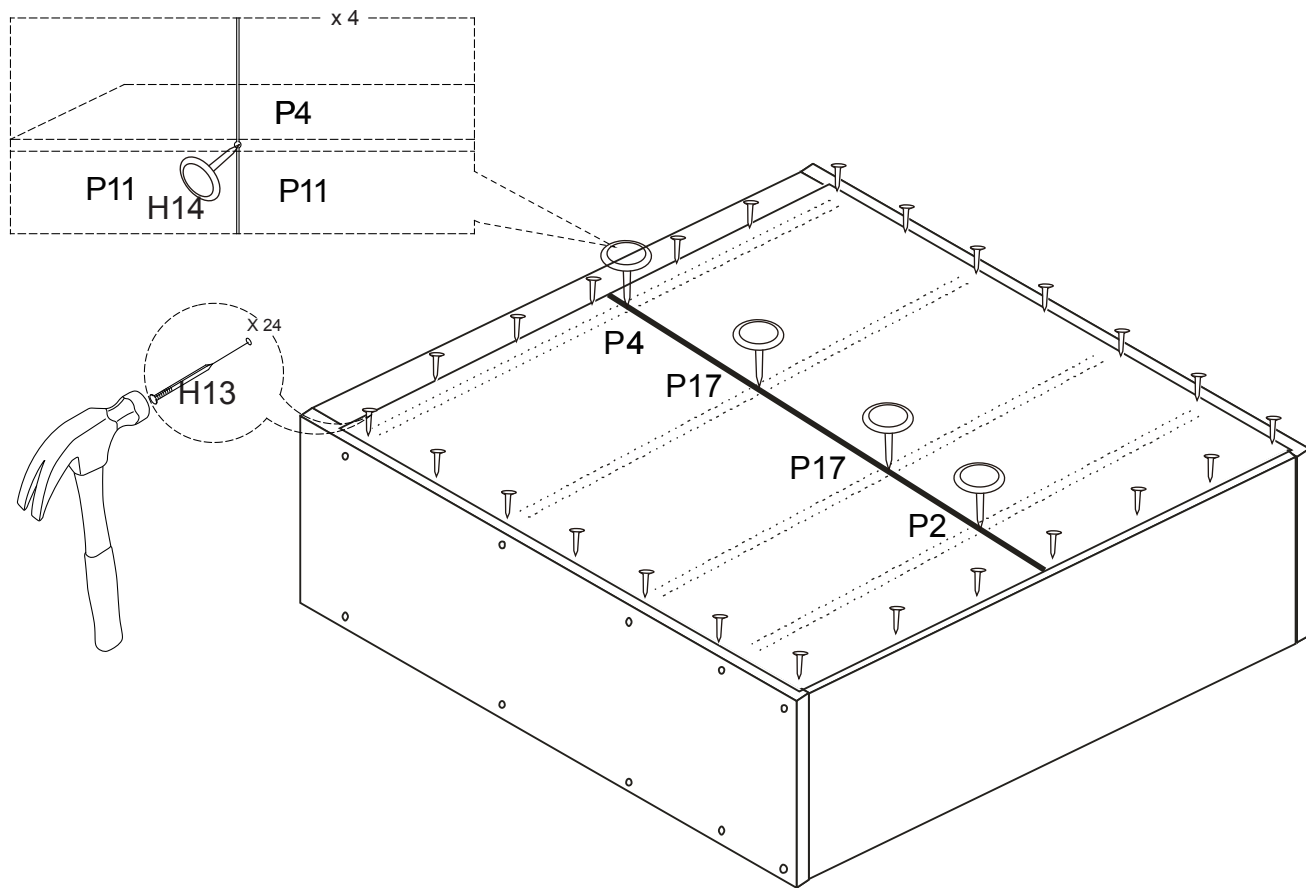
Assemble Right side panel(P8) to assembled unit by using Screw(H12)&Wooden dowel(H11) as shown

STEP 12



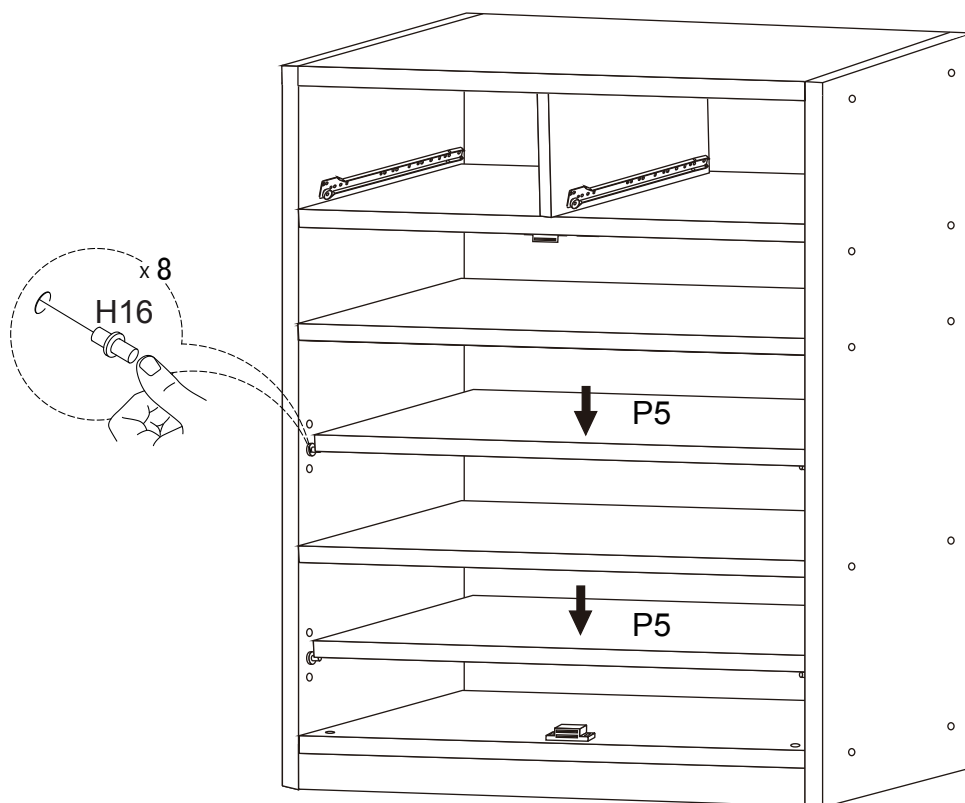
Install Top panel(P1) to assembled unit by using Camlock bolt(H1),Camlock(H2)and Screw(H12) as shown
Then insert Shelf pin(H16) to Left&Right side panel,and place the Adjustable shelf(P5)on them as shown

STEP 13



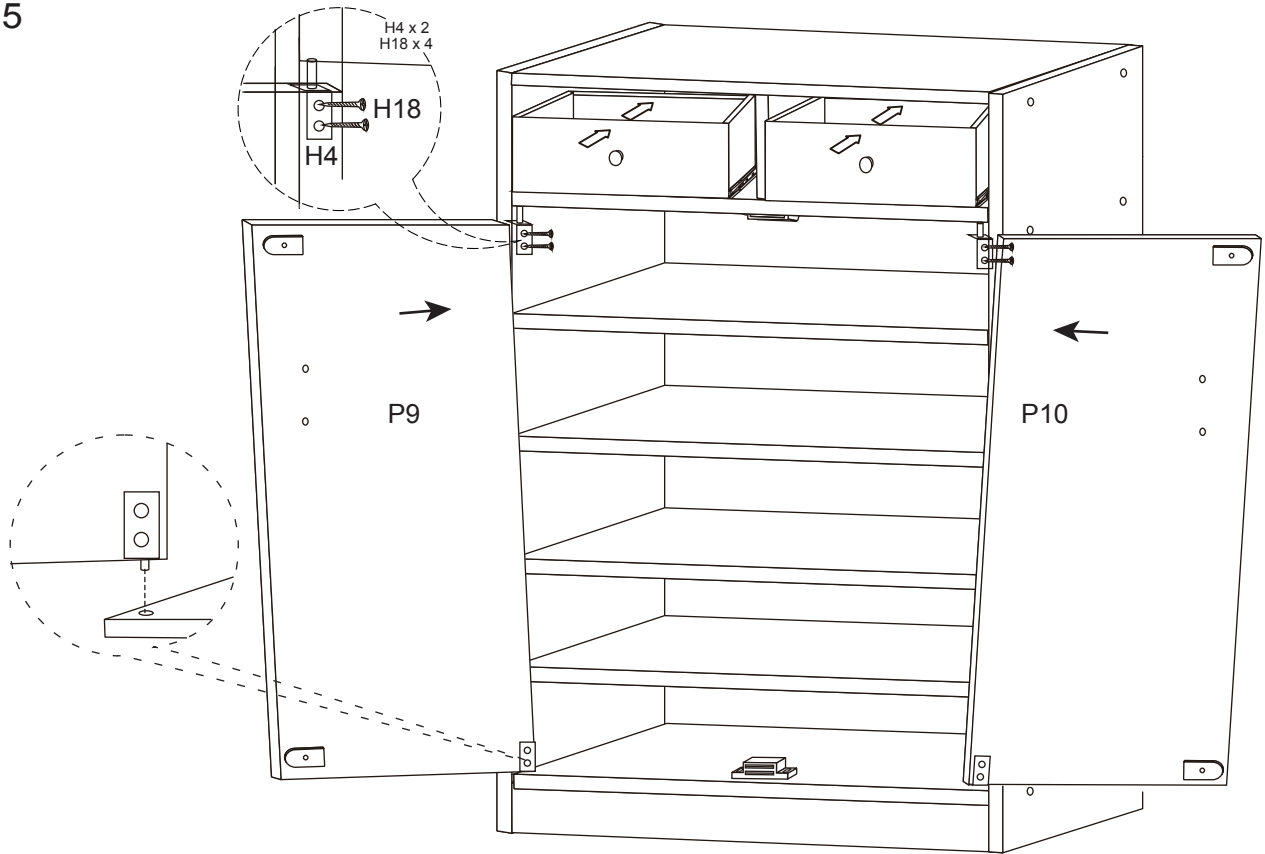
Install Back panel(P11) to assembled unit by using Small head nail(H13)&Big head nail(H14) as shown

STEP 14



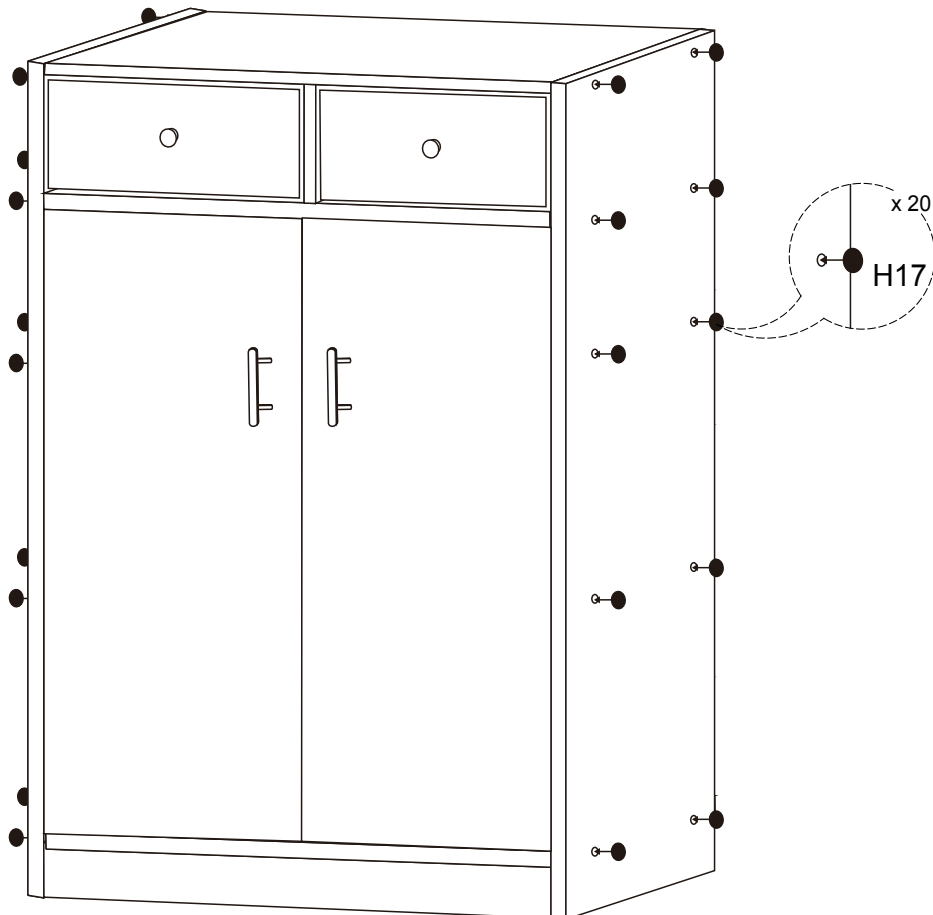
Put Adjustable shelf (P5) into the place as shown

STEP 15



Put Left door(P9) & Right door(P10) to assembled unit, Insert Door hinge(H4) to pre-drilled holes in Top Shelf(P2) and assemble with Left(P9) & Right(P10) door panel with Screw(H18), then insert Drawers as shown

STEP 16



By using PVC sticker(H17) to cover screw as shown