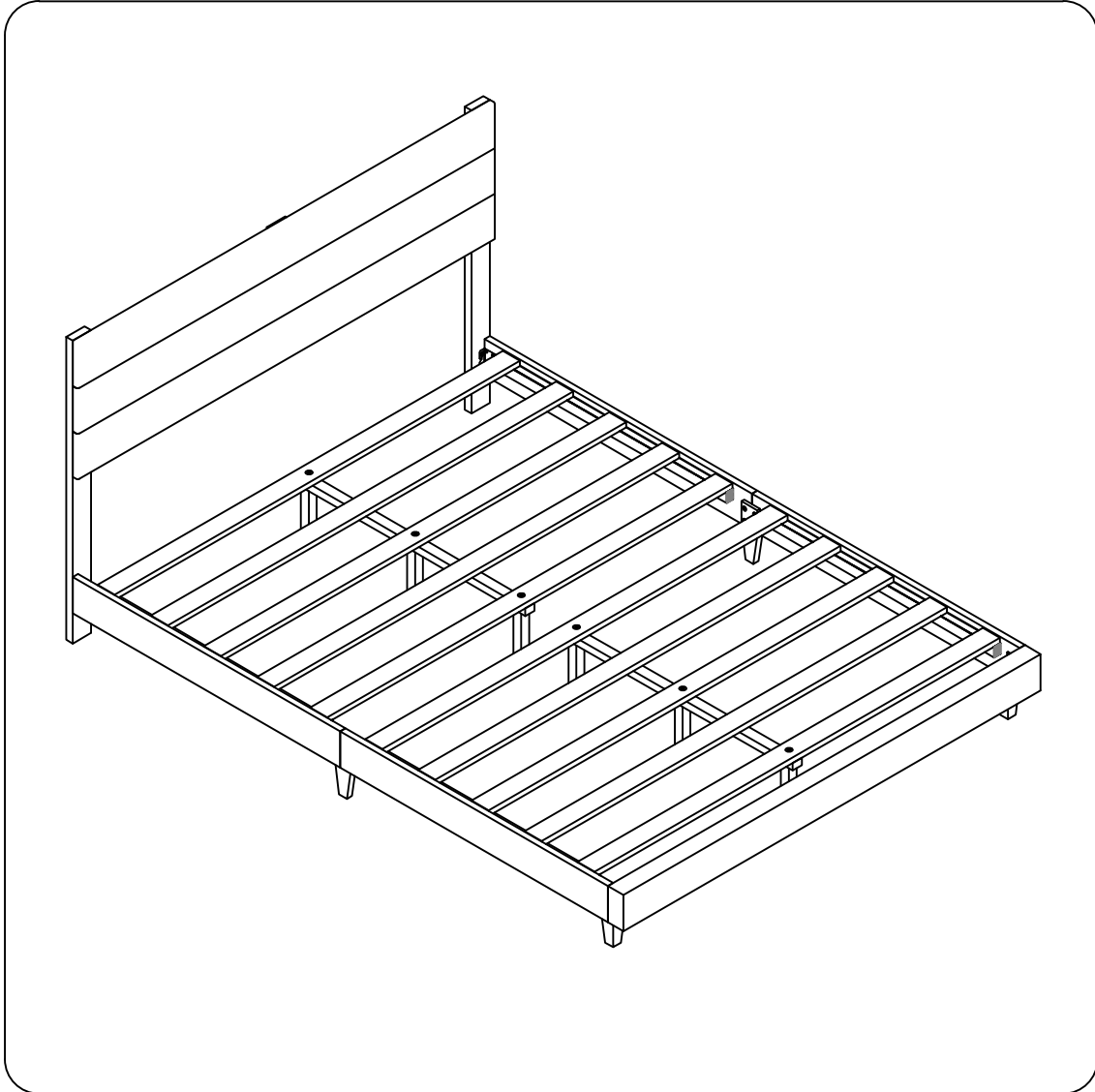


Metal Platform Bed Frame



Thank you for your purchase.
If you have difficulty with assembly or find a part is missing or damaged,
please don't hesitate to contact us for solution.

Please attach your Order ID so we can assist you better.

Introduction

● Guide of Manual

Please read the following instruction carefully and use the product properly.

Please keep this manual and hand it over when you transfer the product.

This summary may not include every detailed information of all variations and considered steps. Please contact us when further information and help needed.

● Before Starting

Recommend no. of people needed for assembly: 2-3

Read each section carefully before starting. It is very important that each step is performed in the correct order. If these steps are not followed in sequence, assembly difficulties will occur.

Make sure all parts are included. Most board parts are labeled or stamped on the raw edge.

Please assemble the product according to the steps on the diagram strictly. Do not fully tighten the screws until all pieces are situated in place.

For continued use, it's suggested you regularly check the tightness of bolts and connections to ensure safety.

Work in spacious area, preferably on a carpet, near the place the unit will be

● Warning

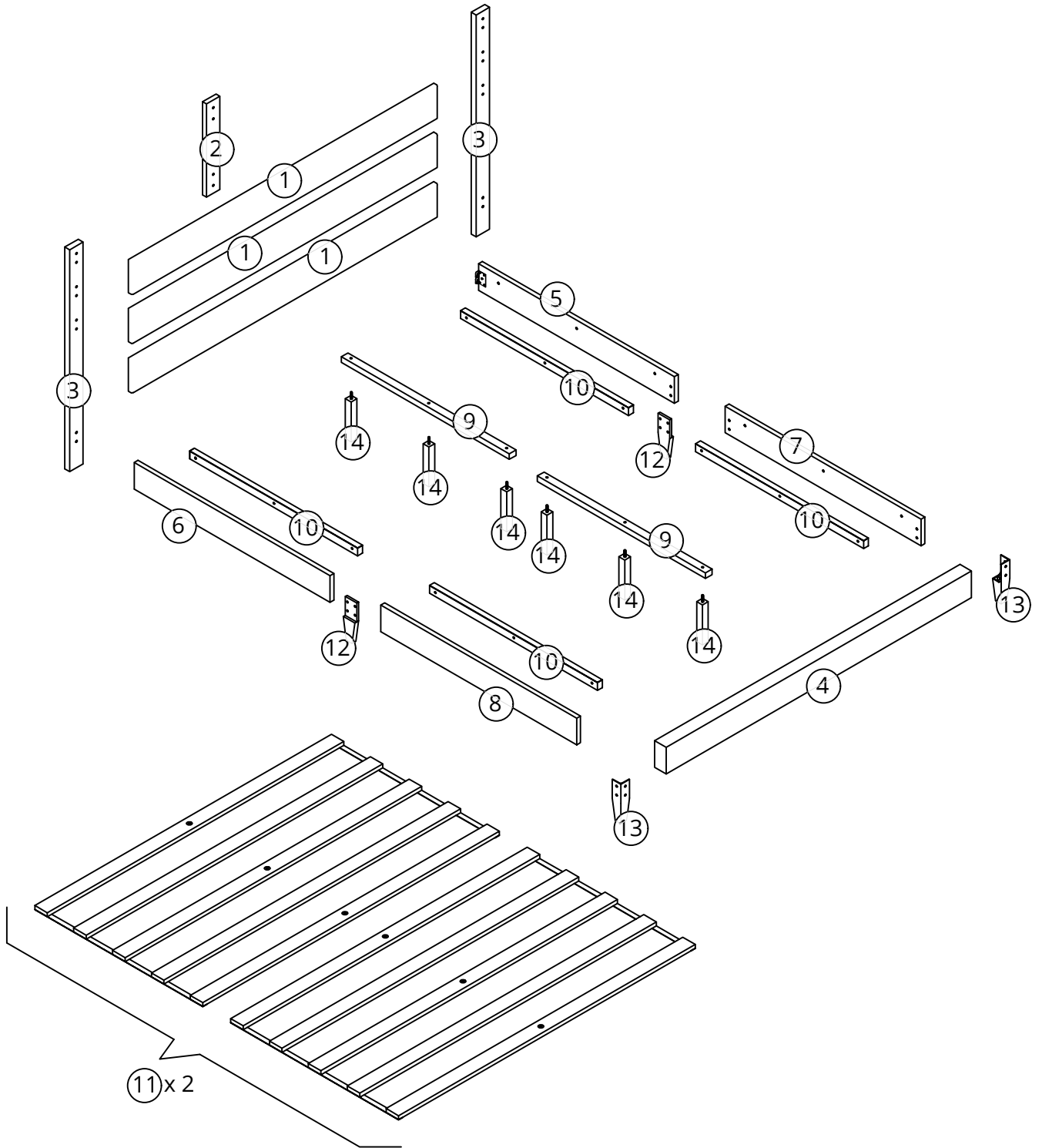
Keep all accessories and packaging of this product away from babies, children and pets as they potentially

The units contains small parts which could be a choking hazard for small children. Children should be under adult supervision at all times or serious injury could occur.

Do not put the product in a humid environment for a long time to prevent mildew.



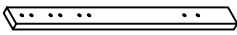
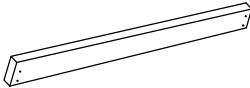
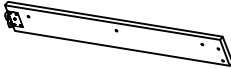
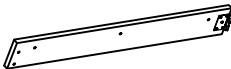
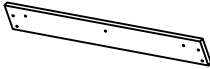
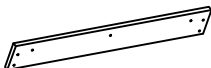


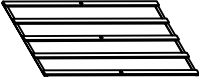
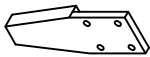

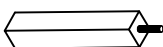
Keep the product away from sharp objects and corrosive chemicals to avoid damage.

Part List 1


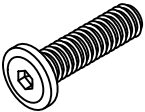
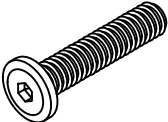

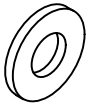






Part List 1





COMPONENTS

NO	DESCRIPTION		QTY
1	Headboard rail		3 pcs
2	Back rail for Headboard		1 pc
3	Leg for headboard		2 pcs
4	Footboard panel		1 pc
5	Side rail-Right		1 pc
6	Side rail-Left		1 pc
7	Side rail-Right		1 pc
8	Side rail-Left		1 pc
9	Center rail		2 pcs
10	Rail support		4 pcs
11	Slat		2 set
12	Leg support		2 pcs
13	Leg for footboard		2 pcs
14	Center leg		6 pcs

COMPONENTS

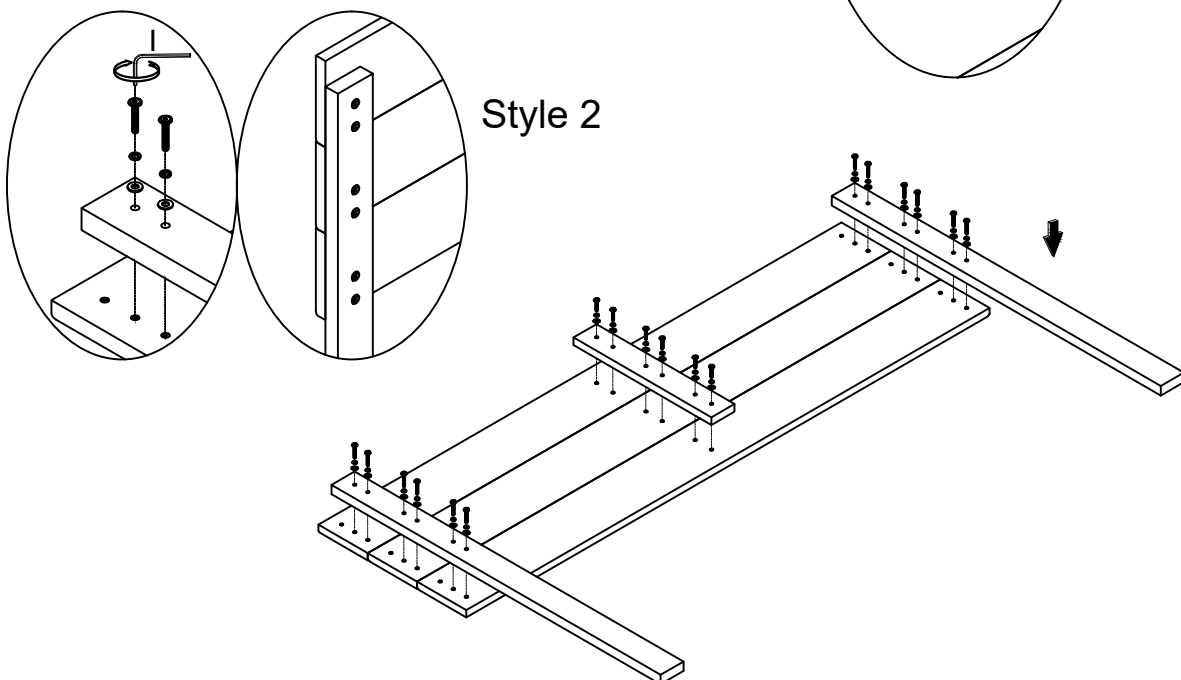
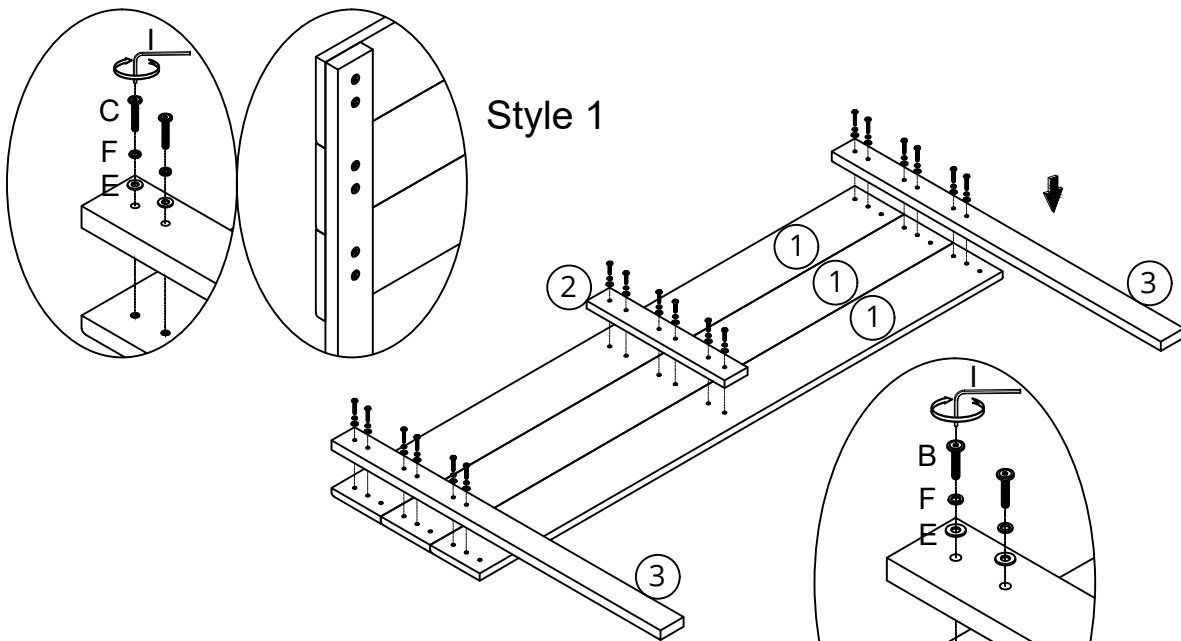
NO	DESCRIPTION			QTY
A	Bolt		5/16" * 20	12 pcs
B	Bolt		5/16" * 30	14 pcs
C	Bolt		5/16" * 40	12 pcs
D	Bolt		1/4" * 35	12 pcs
E	Flat Washer		5/16"	38 pcs
F	Lock Washers		5/16"	38 pcs
G	Flat Washer		1/4"	12 pcs
H	Lock Washers		1/4"	12 pcs
I	Allen Key		L5	1 pc

Assembly Steps




CODE	HARDWARE	QTY
B		6
C		12
E		18
F		18

STEP 1

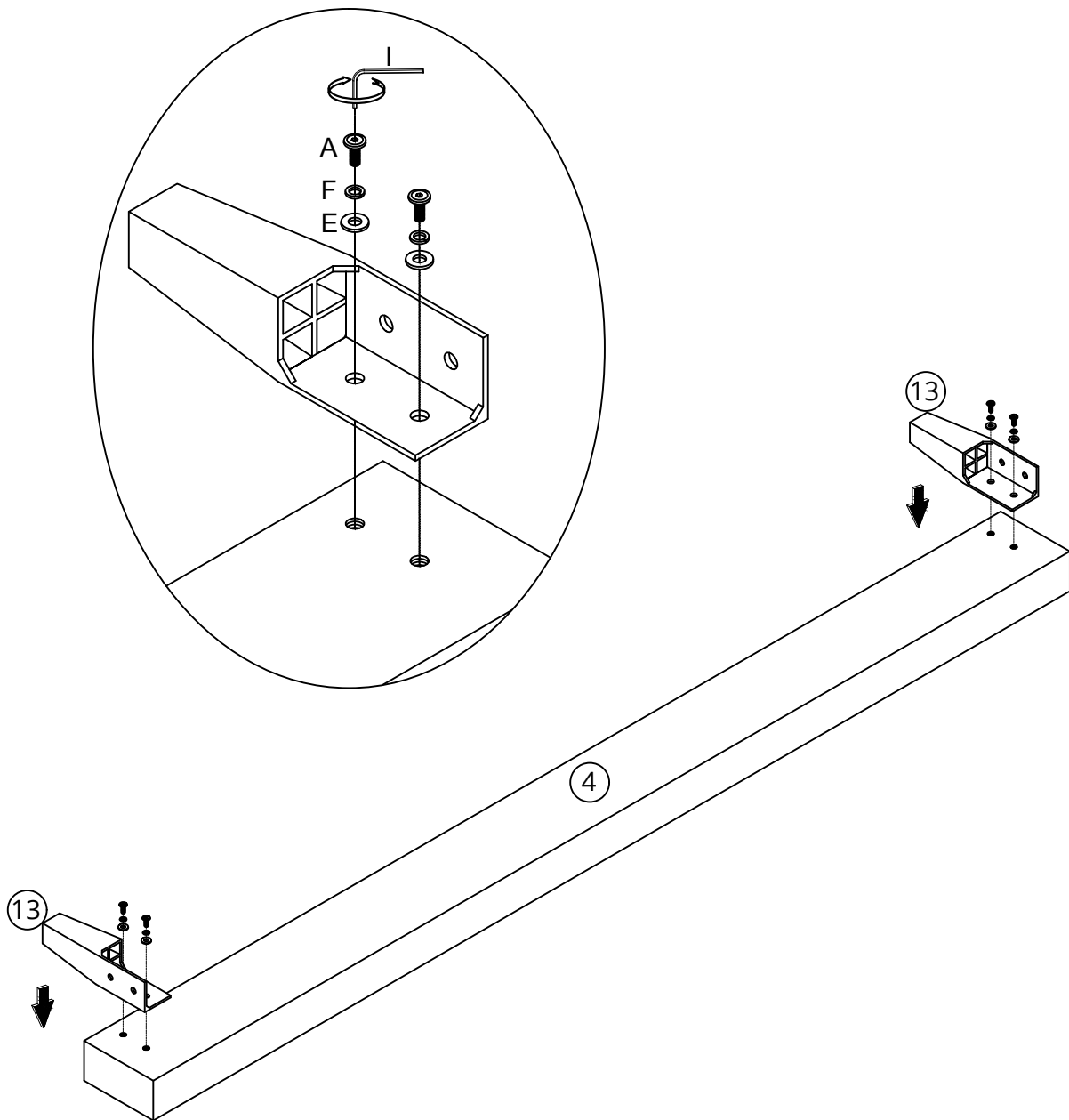
- ① Install the Leg #3 and the Back rail for Headboard #2 to the Headboard panel #1 by using the Allen bolt B, C with lock washer F, flat washer E and tighten all bolts by Allen key I.
- ② The head of the bed height can be adjusted according to your preference.






STEP 2

CODE	HARDWARE	QTY
A		4
E		4
F		4

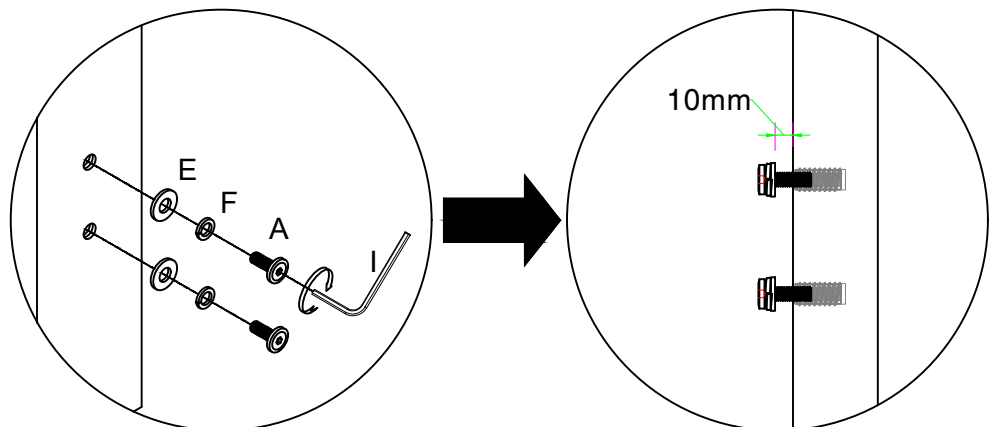
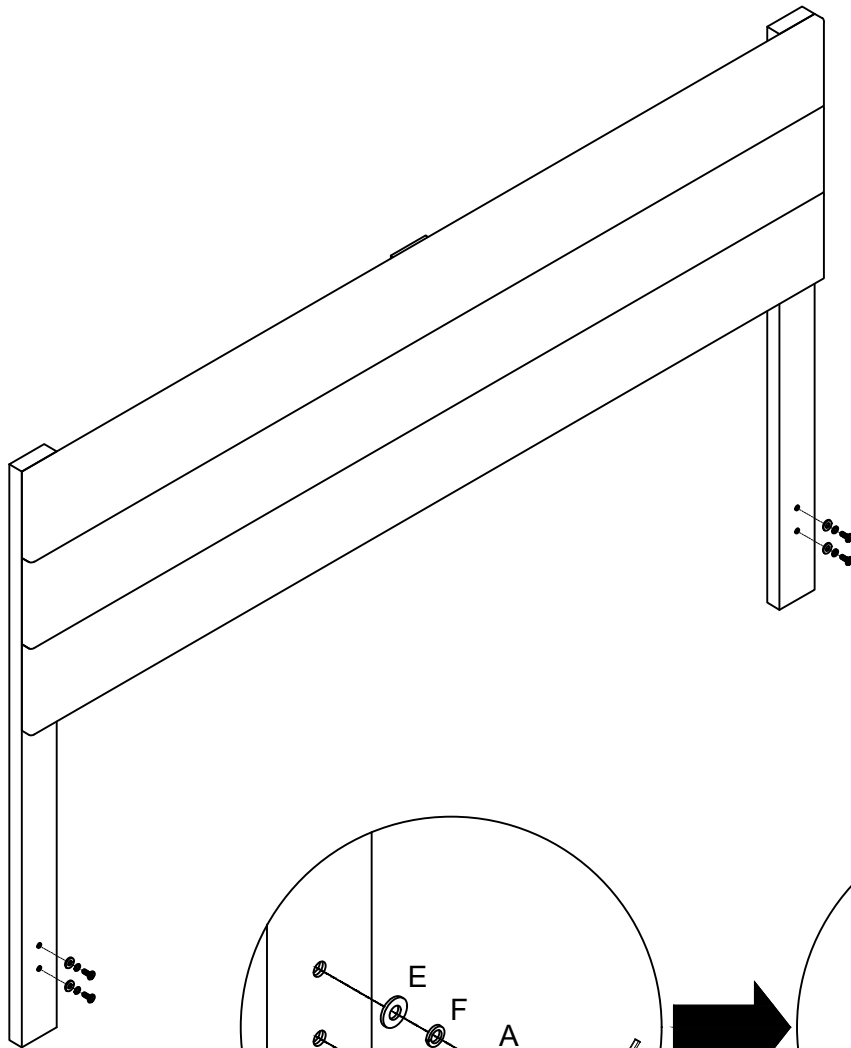
Install the Leg #13 to the Footboard panel #4 by using the Allen bolt A with lock washer F, flat washer E. Tighten all bolts with a Allen key I provided.






STEP 3

CODE	HARDWARE	QTY
A		4
E		4
F		4

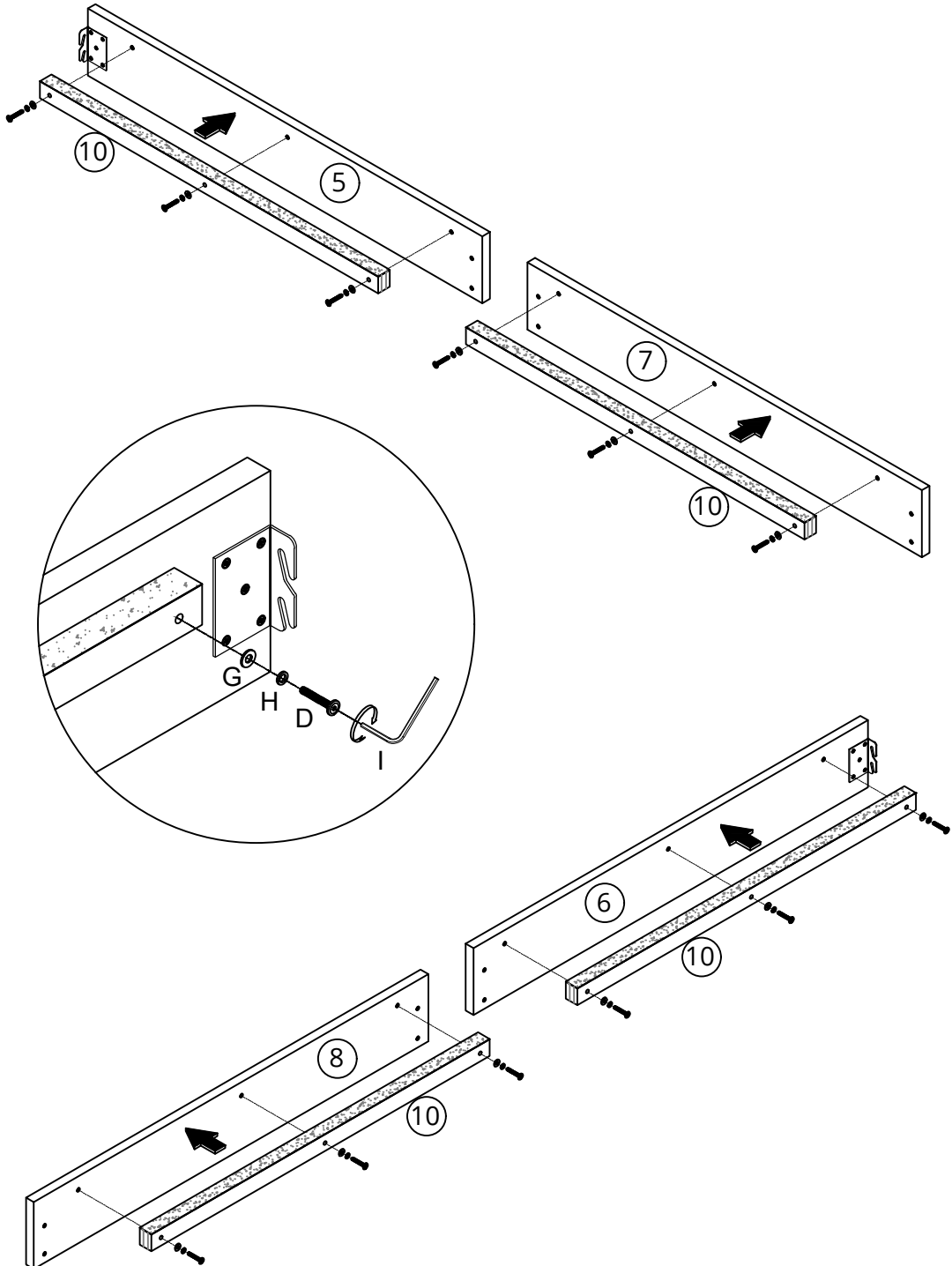
Insert set of the bolts A with lock washer F, flat washer E into the fixed nuts on the headboard by manually. NOTE: Do not fully tighten the bolts, leave at least 10mm visible so that you can hanger hook on the bolts.






STEP 4

CODE	HARDWARE	QTY
D		12
G		12
H		12

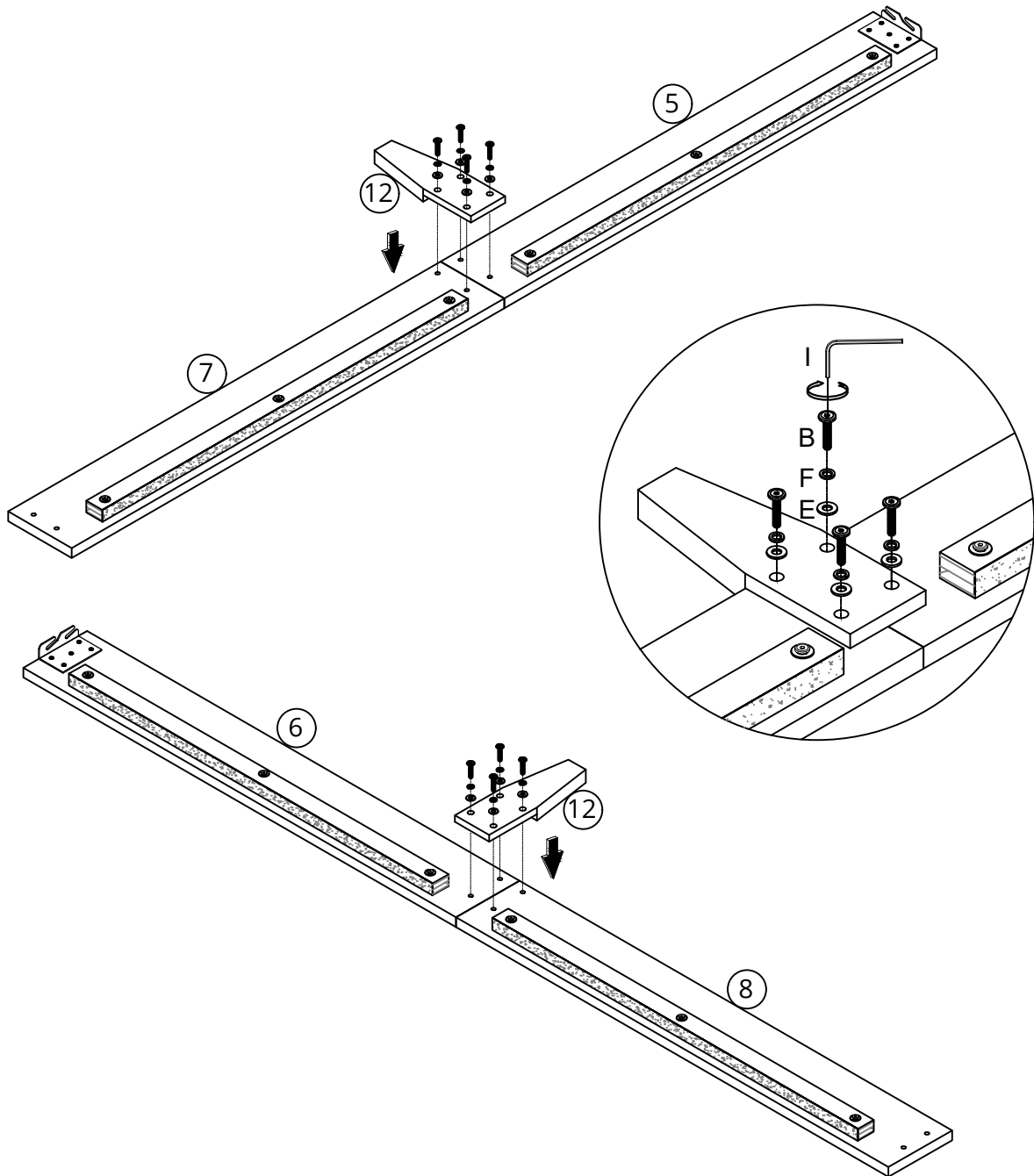
Install the rail support #10 to the Side rail #5, #6, #7, #8 by using the Allen bolt D with lock washer H, flat washer G. Tighten all bolts with a Allen key I provided.






STEP 5

CODE	HARDWARE	QTY
B		8
E		8
F		8

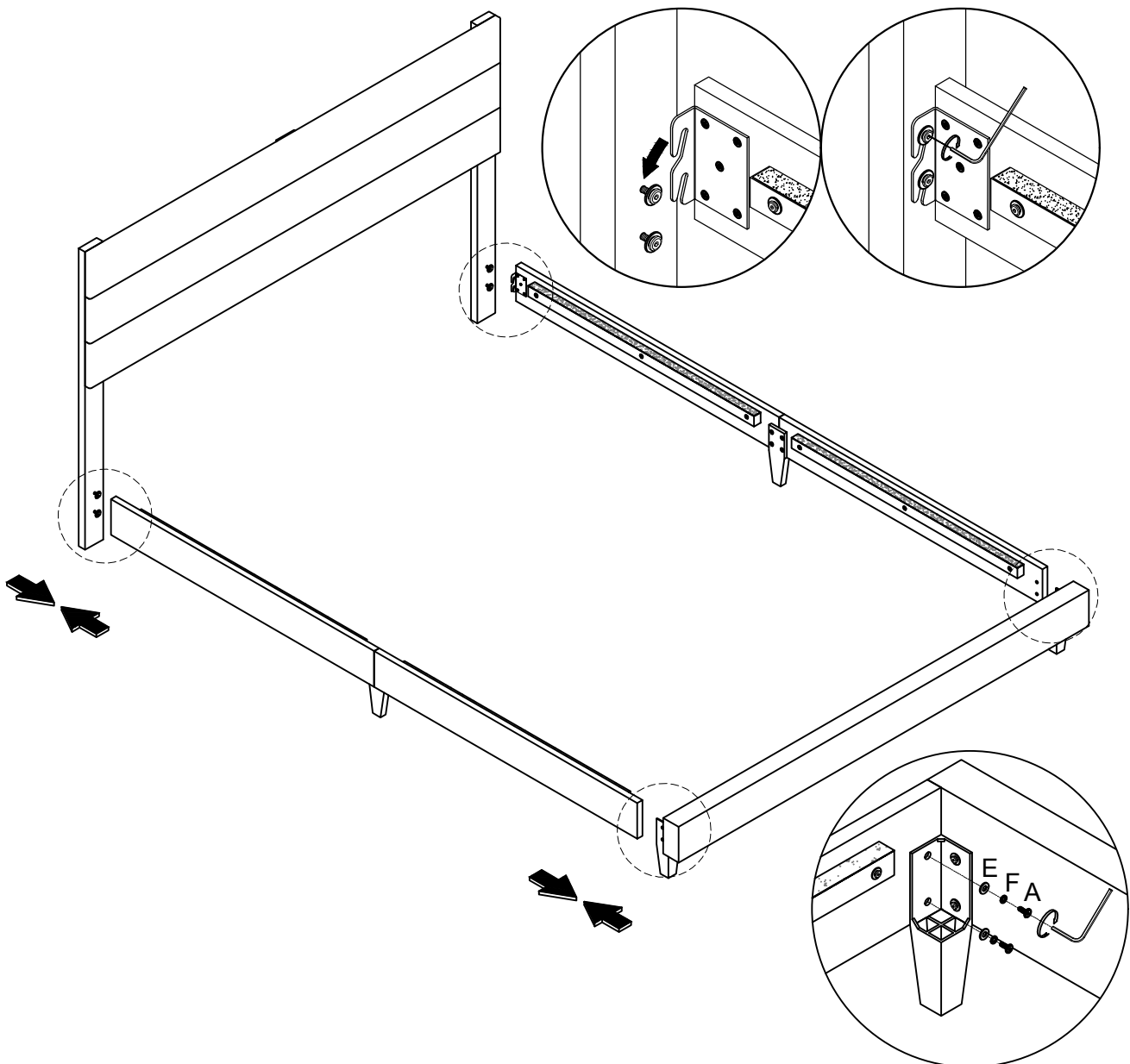
Install the leg support #12 to the side rail by using the Allen bolt B with lock washer F, flat washer E. Tighten all bolts with a Allen key I provided.



STEP 6

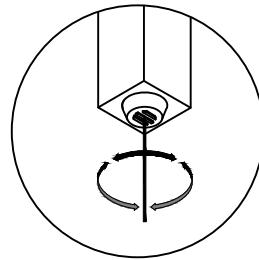
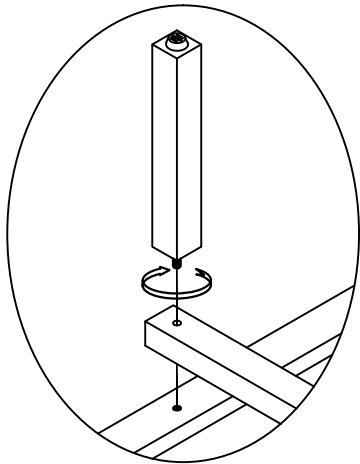
CODE	HARDWARE	QTY
A		4
E		4
F		4

- ① Raise the side rail #5, #6, #7, #8 up, bring the side rail and align the hook on the side rail to the bolts. Once the side rail is set, tighten all bolts by using a Allen key I. After assembly, re-tighten all bolts for a snug fit. **DO NOT OVER TIGHTEN.**
- ② Install the side rail to the footboard by using the Allen bolt A with lock washer F, flat washer E and tighten all bolts by Allen key I.

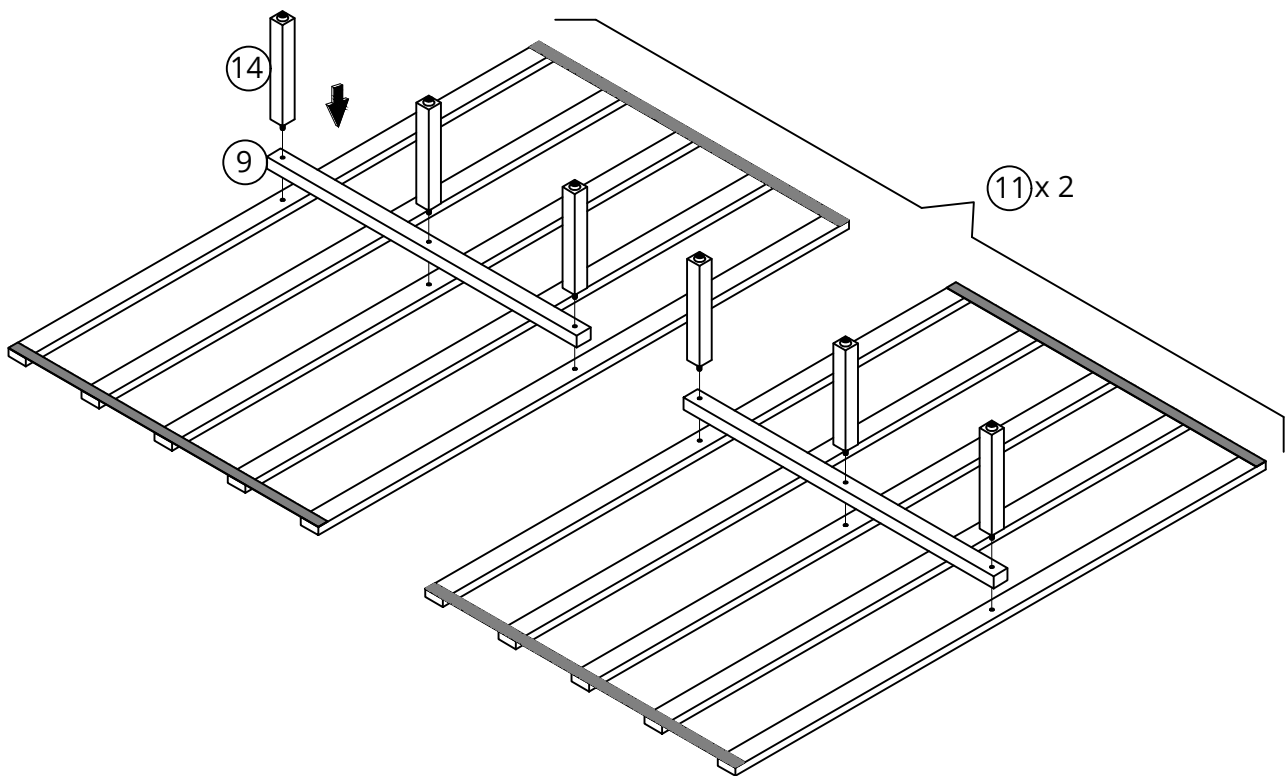


STEP 7

Install the Center rail #9 to the slat #11 by tightening the center leg #14.



If the ground is very uneven, you can adjust the leveling feet of the legs to ensure all slats are leveled and staying at the same level.



STEP 8

Install the slat set to the bed.

