

Bedienungsanleitung Sessel

Abb. ähnlich



D

GB

F

NL

E

I

PL

GB Operating Instructions

Read these instructions carefully before using the equipment for the first time. These instructions contain important information on the use and care of the garden furniture. Keep them in a safe place for reference or for ordering spare parts.

Caring instructions

- The product is 100% recyclable.
- In most cases it can be cleaned using a sponge and clean water only. To remove especially stubborn stains, use lukewarm water, soap and a soft brush. Never use abrasives, acetone (nail-varnish remover) or cleaning agents based on chlorine.
- You can use our cleaning and care product, specially developed for leisure furniture, for regular cleaning and maintenance (see ordering of replacement parts). It is available from authorised retailers. Please take note of the cleaning instructions.
- ⚠ **ATTENTION!** Do not use any plastic film to cover your leisure furniture. Plastic film, as well as table covers or table mats made of plastic, can contain softening agents. Under particular conditions, a chemical reaction with the plastic parts (particularly table tops) cannot be ruled out. Moisture (perspiration or rain water) between the surface of the product and the film can lead to chemical reactions and cause the colours to change. With the use of plastic table mats or similar items, it must be ensured that these are not left on the table if there is a possibility of moisture building up under-neath them (e.g. overnight or when it is raining). For the reasons above, we advise against the use of plastic film, plastic table mats and plastic table covers.
- ⚠ **ATTENTION!** In order to avoid scratches and damage, it should be ensured that objects are not slid along the surface of the table or that cutlery is not used on the surface. This applies particularly for earthenware, glass etc. The purchased leisure furniture requires maintenance and care so that you can enjoy the products for a long time.

2-year-Warranty

- They guarantee that this product was produced from high-quality materials and with the utmost diligence. If defects should arise, please turn to your local merchant for complaints, presenting the original copy of the sales receipt. Legal warranty begins on the date of purchase. The repair of defects does not lead to a renewal of warranty.
- Defects that arose due to improper treatment or assault are not subject of this warranty.
- The manufacturer does not include damages through environmental influen-

ces (e.g. atmospheric pollution and/or pollution of water or rain) in this warranty. The manufacturer declines responsibility and will not bear the expenses for the removal of such damages.

For Your Safety

- This product may only be used for its intended purpose as outdoor furniture for residential spaces.
- Check all components regularly for correct functioning, damages and loosened connections especially at the beginning of the season and at intervals of 1 – 2 months depending on the use.
Control locking mechanisms, catches and joints in particular. If they are rough-running, use commercially available silicone oil or contact our customer service.
- Damaged components may endanger your safety or shorten the life of the product. Replace all damaged parts immediately. Use only spare parts manufactured.
- Incorrect repairs or alterations to the product may endanger the user's safety. Should you wish to purchase spare parts, please contact your dealer.

- The manufacturer is not liable for damage to the product caused by improper use.
- ⚠ **ATTENTION!** While assembly of the product keep off children's reach (Choking hazard - contains small parts).
- Ensure that your working area is free of possible sources of danger, for example don't leave any tools lying around. Always dispose packaging material in such a way that it may not cause any danger. There is always a **risk of suffocation** if children play with plastic bags!
- We reserve the right to make changes for technical reasons.
- ⚠ **ATTENTION!** Please note that if you adjust the back rest, the armrest must snap in properly.

List of spare parts page 24-27

Should you wish to purchase spare parts, please contact your dealer. When ordering spare parts, always state the full article number, spare-part-number, the quantity required and the S/N of the product (see handling).

Example order: Please keep original packaging of this article, so that it may be used for transport at a later date, if necessary.

Goods may **only** be returned after prior arrangement and in (internal) packaging, which is safe for transportation, in the original box if possible.

It is important to provide a detailed defect description / damage report!

Important: spare part prices do not include fastening material; if fastening material (bolts, nuts, washers etc.) is required, this should be clearly stated on the order by adding the words „**with fastening material**“.

Waste Disposal

products are recyclable. At the end of its useful life please dispose of this article correctly and safely (local refuse sites).

Fabric: 80% PVC, 20% PE

Handhabungshinweise

(GB) Handling

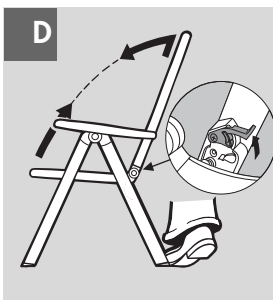
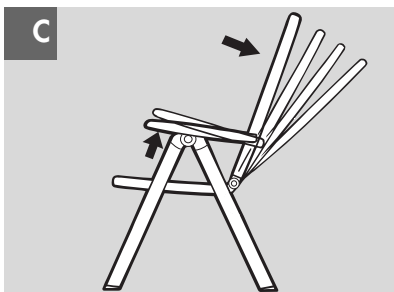
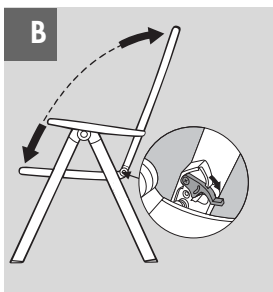
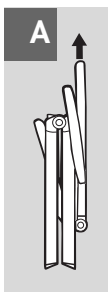
(E) Aplicación

(F) Utilisation

(I) Utilizzo

(NL) Handleiding

(PL) Zastosowanie



(D) **ACHTUNG!** Bitte beachten Sie beim Verstellen der Rückenlehne auf das korrekte Einrasten der Armlehne.

(GB) **ATTENTION!** Please note that if you adjust the back rest, the armrest must snap in properly.

(F) **ATTENTION!** ! Lors du réglage du dossier, veillez à l'encliquetage correct de l'accouider.

(NL) **ATTENTIE!** Let bij het verstellen van de rugleuning er op dat de armleuningen goed vergrendeld zijn.

(E) **¡ATENCIÓN!** Al ajustar el respaldo preste atención a que el apoyabrazos encaje correctamente.

(I) **ATTENZIONE!** Quando si regola lo schienale, assicurarsi che il bracciolo sia correttamente inserito in posizione.

(PL) **UWAGA!** Przy nastawianiu oparcia proszę zwrócić uwagę na właściwe zażebienie podłokietnika.

Ersatzteilbestellung

- Ⓒ Spare parts order Ⓔ Pedido de recambios
Ⓕ Commande de pièces de rechange Ⓖ Ordine di pezzi di ricambio
Ⓓ Bestelling van reserveonderdelen Ⓖ Zamówienie części zamiennych



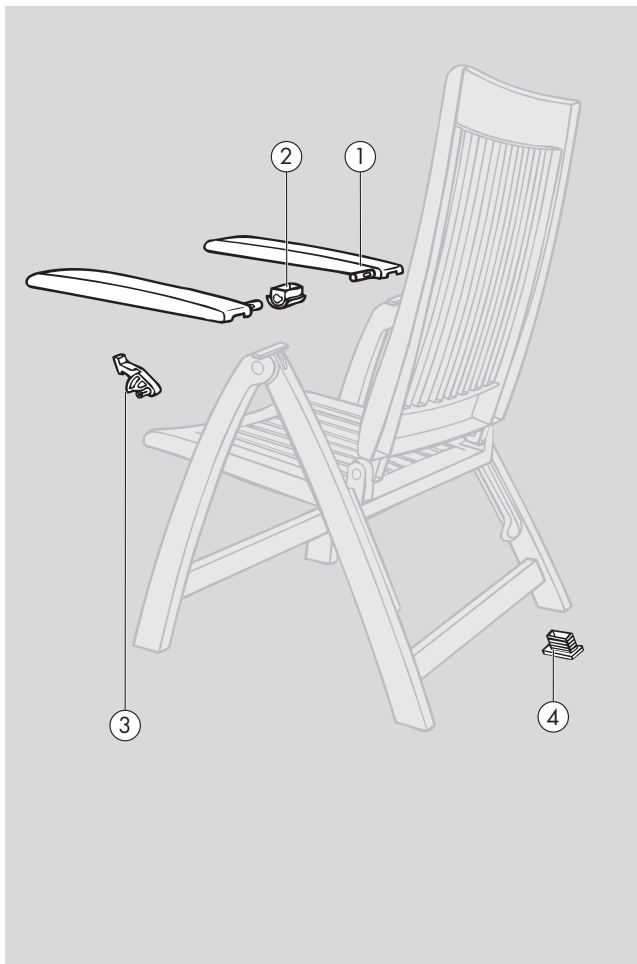
- Ⓓ Beispiel Typenschild - Seriennummer
Ⓒ Example Type label - Serial number
Ⓕ Exemple Plaque signalétique - Numéro de serie
Ⓓ Bij voorbeeld Typeplaatje - Seriennummer
Ⓔ Ejemplo Placa identificativa - Número de serie
Ⓖ Esempio Targhetta tecnica - Numero di serie
Ⓖ Przykłady Tabliczka identyfikacyjna - Numer serii

- Ⓓ Geben Sie bei Ersatzteilbestellungen bitte die vollständige Artikelnummer, die Ersatzteilnummer, die benötigte Stückzahl und die Seriennummer des Gerätes an.
-
- Ⓒ When ordering spare parts, always state the full article number, spare-part number, the quantity required and the S/N of the product.
-
- Ⓕ En cas de commande de pièces de rechange, nous vous prions de mentionner la référence article, le numéro de pièce de rechange, la quantité demandée et le numéro de série de l'appareil.
-
- Ⓓ Vermeld bij de onderdelenbestellingen a.u.b. het volledige artikelnummer, het onderdeelnummer, het benodigde aantal en het serienummer van het apparaat.
-
- Ⓔ Indicar con los pedidos de piezas de repuesto el número completo del artículo, el número de la pieza de repuesto, las unidades solicitadas y el número de serie del aparato.
-
- Ⓖ Per l'ordinazione di parti di ricambio indicate il completo numero di articolo, della parte di ricambio, il numero di unit necessario nonché il numero di serie dell'apparecchio.
-
- Ⓖ Przy zamawianiu części zamiennych proszę podawać kompletny numer artykułu, numer części zamiennej i numer serii urządzenia.

Pflegemittel und Zubehör	
Pflegesortiment	Größe
Aluminium Reiniger	0,5 Liter
Hartholzreiniger für Teak & Akazie	1,0 Liter
Hartholzschutz für Teak & Akazie	0,5 Liter
Teaköl	1,0 Liter
Akazie Öl	1,0 Liter
Hartholz Entgrauer	1,0 Liter
Kunststoff Reiniger	0,5 Liter
Textilene & Geflecht Reiniger	0,5 Liter

Lackstifte	Größe
Lackstift - blau	9 ml
Lackstift - silber	9 ml
Lackstift - eisengrau	9 ml
Lackstift - weiss	9 ml
Lackstift - grün	9 ml
Lackstift - graphit	9 ml
Lackstift - champagne	9 ml

Ersatzteilbestellung



Ersatzteilbestellung

Roma		
Pos-	Farbe	
Nr.	Bezeichnung	Stück
1	Armlehnen-Set	1
2	Kappe für Rückenteil	2
3	Sicherungshebel	1
4	Bodenschoner-Set	1

Roma		
Pos-	Farbe	
Nr.	Bezeichnung	Stück
1	Armlehnen-Set	1
2	Kappe für Rückenteil	2
3	Sicherungshebel	1
4	Bodenschoner-Set	1

