

NOTICE

*Please make sure that you have all part indicated and they are in good condition before you begin assembly of this item. Refer to part list and hardware list below for guidance.

*This item should be assembled on a soft surface to prevent scratching the finish during assembly.

*This item may require periodic tightening.

*If you are having difficulty, our friendly Customer Care team is always here to help.

PREPARATION

*Before beginning assembly of product, make sure all part are present. Compare part with part contents list and hardware contents list.

*If any part is missing or damaged, do not attempt to assemble the product.

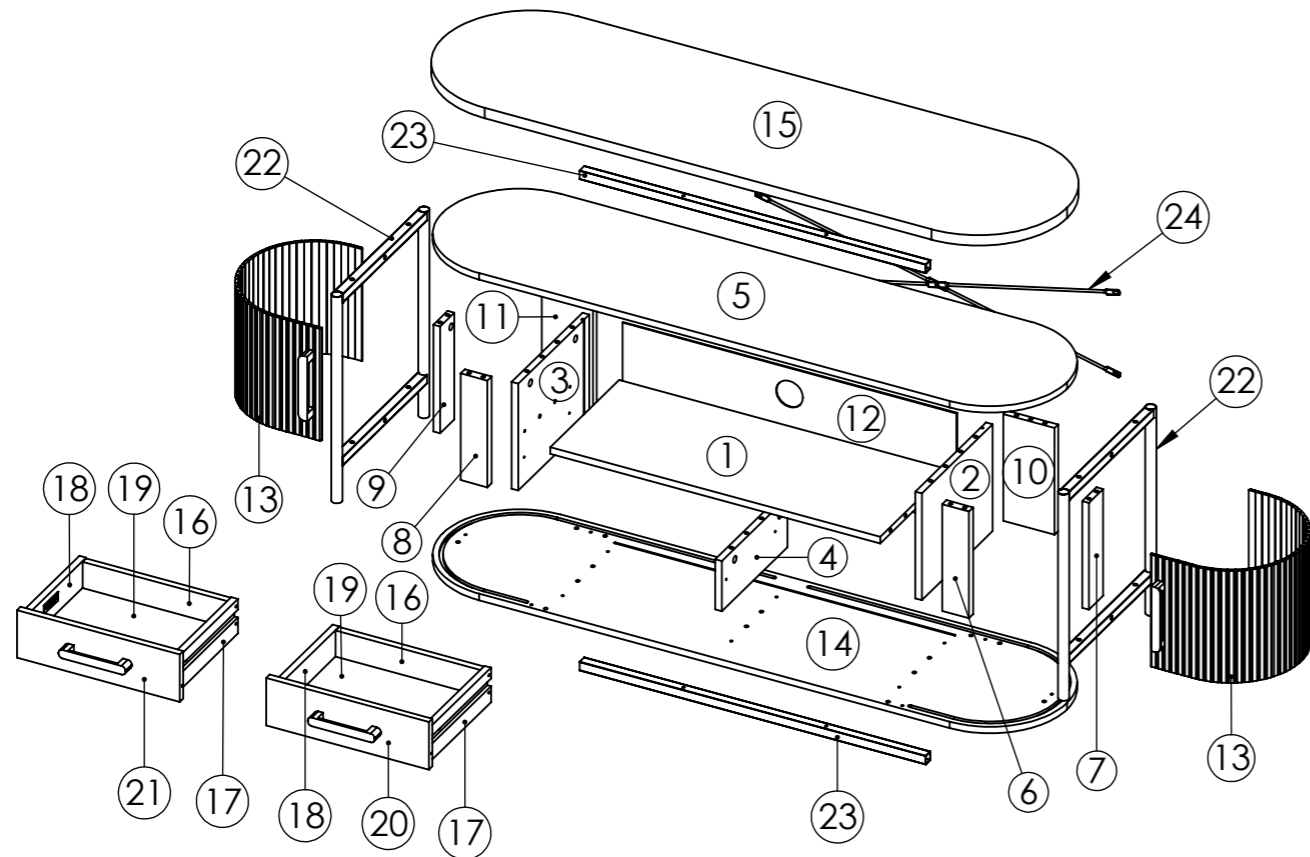
*Estimated Assembly Time: 60 minutes.

*Tools Required for Assembly (included): Allen Key

CARE AND MAINTENANCE

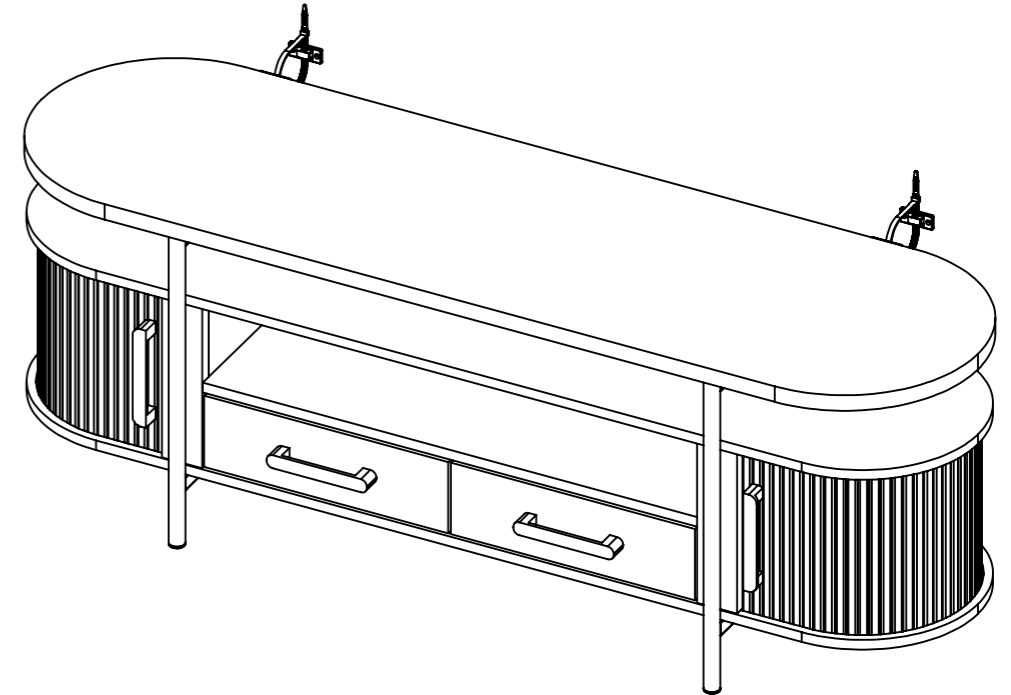
Adhesive felt pads should always be applied to areas of furniture which make direct contact with flooring, said application will prevent damage to the furniture and or surfaces on which the furniture lies. Objects placed on articles of furniture should rest on non abrasive material as to prevent damage to the wood finish. Objects whose composition consists of plastic and rubber are known to discolor and damage the wood surfaces on which they rest. Wipe up spills immediately and avoid common hazards such as hot dishes, harsh solvents and abrasives. Cleaning should be done with a soft lint free cotton cloth dampened with water or furniture polish. On highly used surfaces we recommend applying a quality paste wax which should be used on a regular basis to provide additional protection from scratches and spills. How often you apply the wax depends on how much wear the furniture receives.

Part List



OWNER MANUAL

Product Dimensions: W 55.11" x D 15.74" x H 19.80"




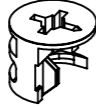

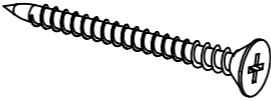


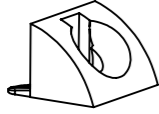

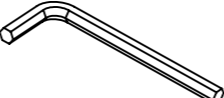



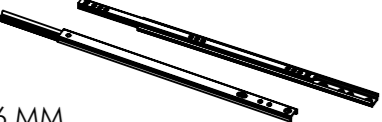
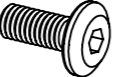
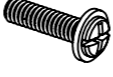
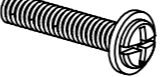
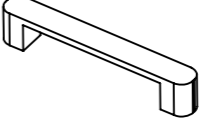
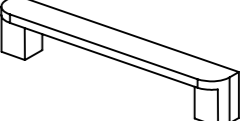
⚠ WARNING

This product is intended for use with a
FLAT SCREEN TV ONLY
Maximum Screen Size: 65 inches
Top Weight Limit: 60 lbs
Shelf Load Limit: 23 lbs
Drawer Load Limit : 2 lbs
Use with heavier televisions may result in
instability causing tip over resulting in death
or Serious injury.


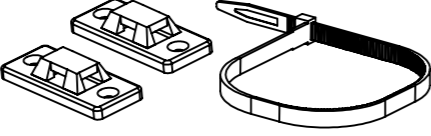
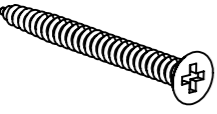

⚠ WARNING

Death or serious injury may occur
when children climb on audio
and/or video equipment furniture.
A remote control or toys placed on
the furnishing may encourage a
child to climb on the furnishing and
as a result the furnishing may tip
over on to the child

Hardware List

<p>HW1x20</p>  <p>Ø6x32 MM</p>	<p>HW2x20</p>  <p>Ø15x12 MM</p>	<p>HW3x36</p>  <p>Ø8x32 MM</p>	<p>HW4x12</p>  <p>Ø6x50 MM</p>	<p>HW5x12</p>  <p>Ø6x32 MM</p>	<p>HW6x10</p>  <p>Ø4x19 MM</p>
<p>HW7x10</p> 	<p>HW8x18</p>  <p>Ø20 MM</p>	<p>HW9x1</p>  <p>L 4</p>	<p>HW10x12</p>  <p>L6x30 MM</p>	<p>HW11x8</p>  <p>Ø5x8.5 MM</p>	<p>HW12x4</p>  <p>Ø4x10 MM</p>
<p>HW13x2</p>  <p>246 MM</p>	<p>HW14x4</p>  <p>L6x15 MM</p>	<p>HW15x4</p>  <p>Ø6x15 MM PH</p>	<p>HW16x4</p>  <p>Ø6x25 MM PH</p>	<p>HW17x2</p> 	<p>HW18x2</p> 

Anti-tip restraint pack

<p>HW19x4</p>  <p>Ø6x15 MM</p>	<p>HW20x2</p> 
<p>HW21x4</p>  <p>Ø10x50 MM</p>	<p>HW22x4</p>  <p>Ø8x35 MM</p>

Part List & HW

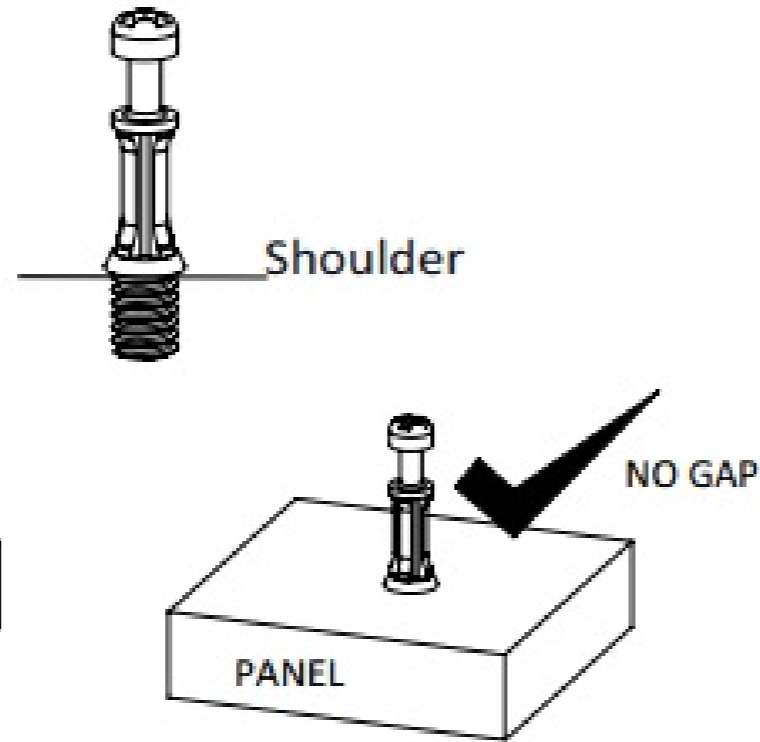
Piece	Description	Qty	Carton Call
1	Fixed Shelf Panel	1	1 of 1
2	Side Panel - Right	1	1 of 1
3	Side Panel - Left	1	1 of 1
4	Center Panel	1	1 of 1
5	Large Fixed Shelf	1	1 of 1
6	Pillar - Right	1	1 of 1
7	Side Divider - Right	1	1 of 1
8	Pillar - Left	1	1 of 1
9	Side Divider - Left	1	1 of 1
10	Divider - Right	1	1 of 1
11	Divider - Left	1	1 of 1
12	Back Panel	1	1 of 1
13	Door Panel	2	1 of 1
14	Bottom Panel	1	1 of 1
15	Top Panel	1	1 of 1
16	Drawer Back	2	1 of 1
17	Side Drawer - Right	2	1 of 1
18	Side Drawer - Left	2	1 of 1
19	Drawer Base	2	1 of 1
20	Front Drawer - Right	1	1 of 1
21	Front Drawer - Left	1	1 of 1
22	Frame Leg Left/Right	2	1 of 1
23	Frame Support	2	1 of 1
24	Frame Bracing	1	1 of 1

Piece	Description	Qty	Carton Call
HW1	Cambolt	20	1 of 1
HW2	Camlock	20	1 of 1
HW3	Wooden Dowel	36	1 of 1
HW4	Screw M6 x 50 mm	12	1 of 1
HW5	Screw M7 x 32 mm	12	1 of 1
HW6	Screw M4 x 19 mm	10	1 of 1
HW7	Plastic Stopper	10	1 of 1
HW8	Cover Cap Sticker	18	1 of 1
HW9	Allen Key	1	1 of 1
HW10	Allen Bolt M6 x 30 mm	12	1 of 1
HW11	Screw M 5 x 8.5 mm	8	1 of 1
HW12	Bolt M4 x 10 mm	4	1 of 1
HW13	Minislide Runner 246 mm	2	1 of 1
HW14	Allen Bolt M6 x 15 mm	4	1 of 1
HW15	Bolt M4 x 19 mm	4	1 of 1
HW16	Bolt M4 x 25 mm	4	1 of 1
HW17	Handle Drawer	2	1 of 1
HW18	Handle Door	2	1 of 1
HW19	Screw M6 x 15 mm	4	1 of 1
HW20	Anti-tip	2	1 of 1
HW21	Screw M10 x 50 mm	4	1 of 1
HW22	Fisher "S" 8	4	1 of 1

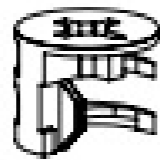
Special Tips for Fitting Minifix Cam (Cam-Lock), and Minifix Bolt (Cam-Bolts)

CAM-BOLT

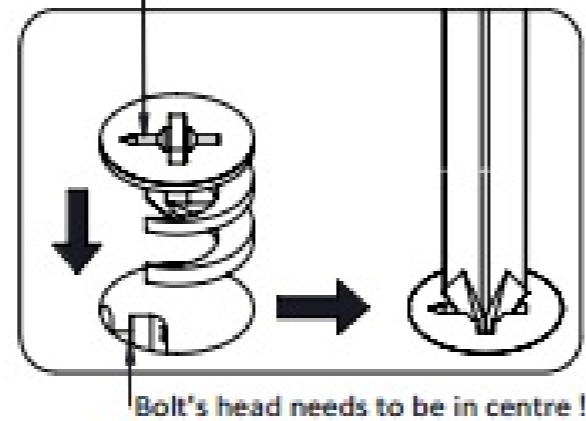
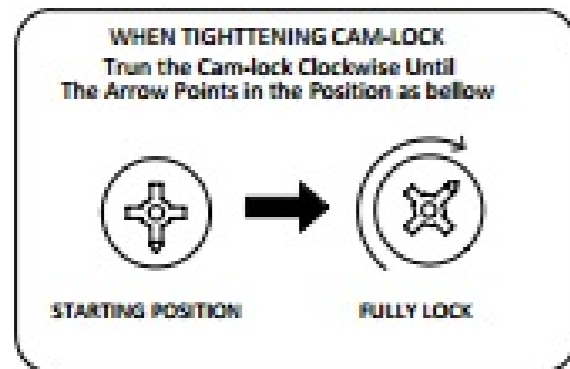
Tighten until shoulder is flush with panel. Do not overtighten or undertighten (see example below)



CAM-LOCK

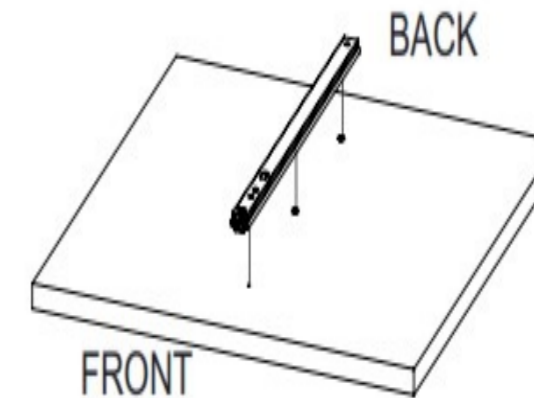


See this Arrow Points !



SPECIAL TIPS FOR DRAWER SLIDE ASSEMBLY

ORIGINAL POSITION



ASSEMBLY STEP 1

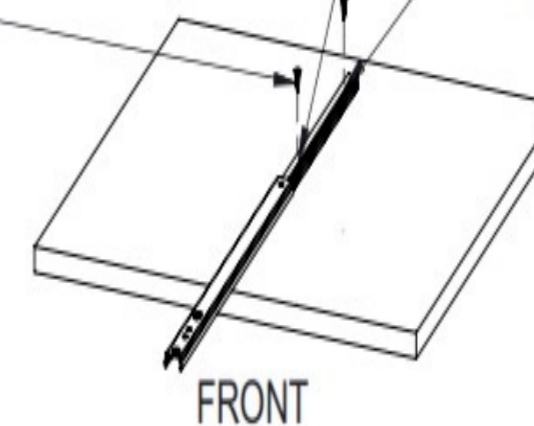
SLIDE FULLY BACKWARD



PLEASE USE THE
SIXTH HOLE FROM BACK

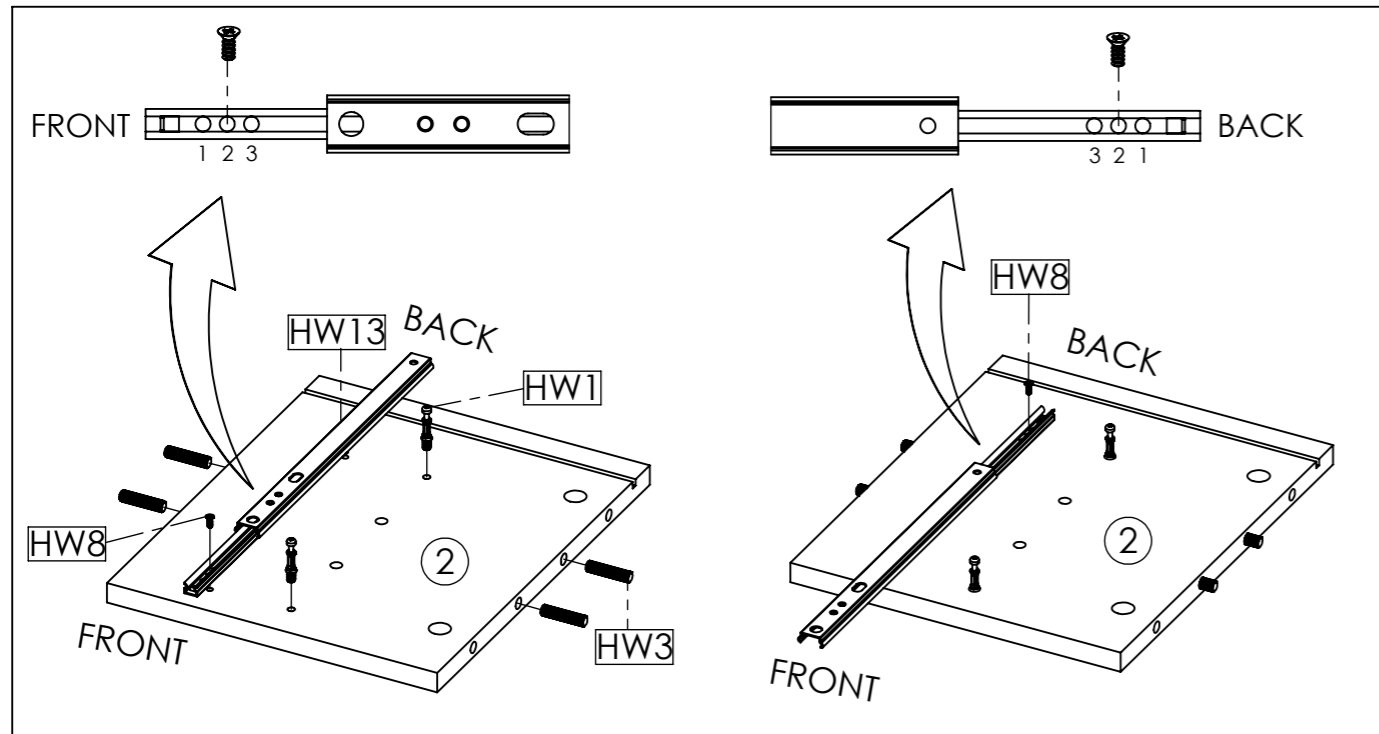
BACK

PLEASE USE THE
THIRD HOLE FROM BACK

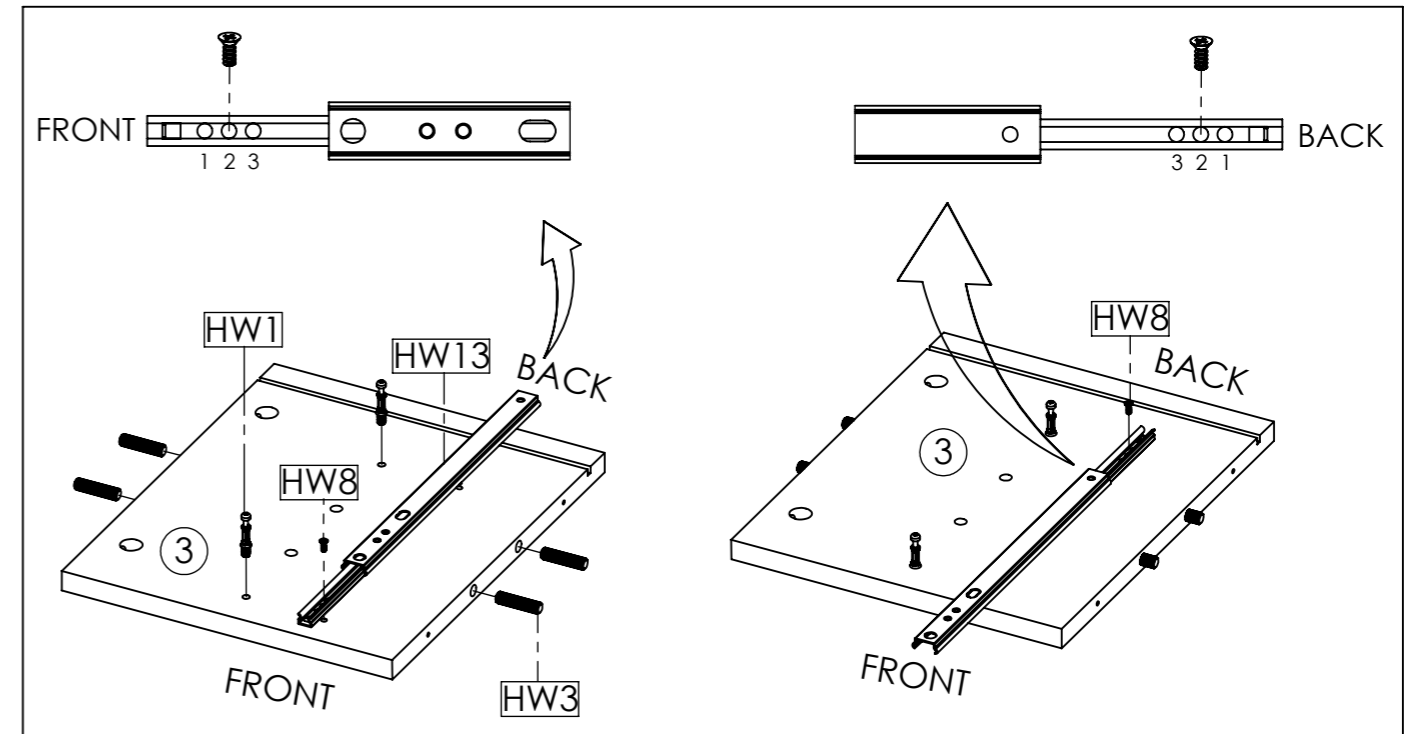


PREPARATION

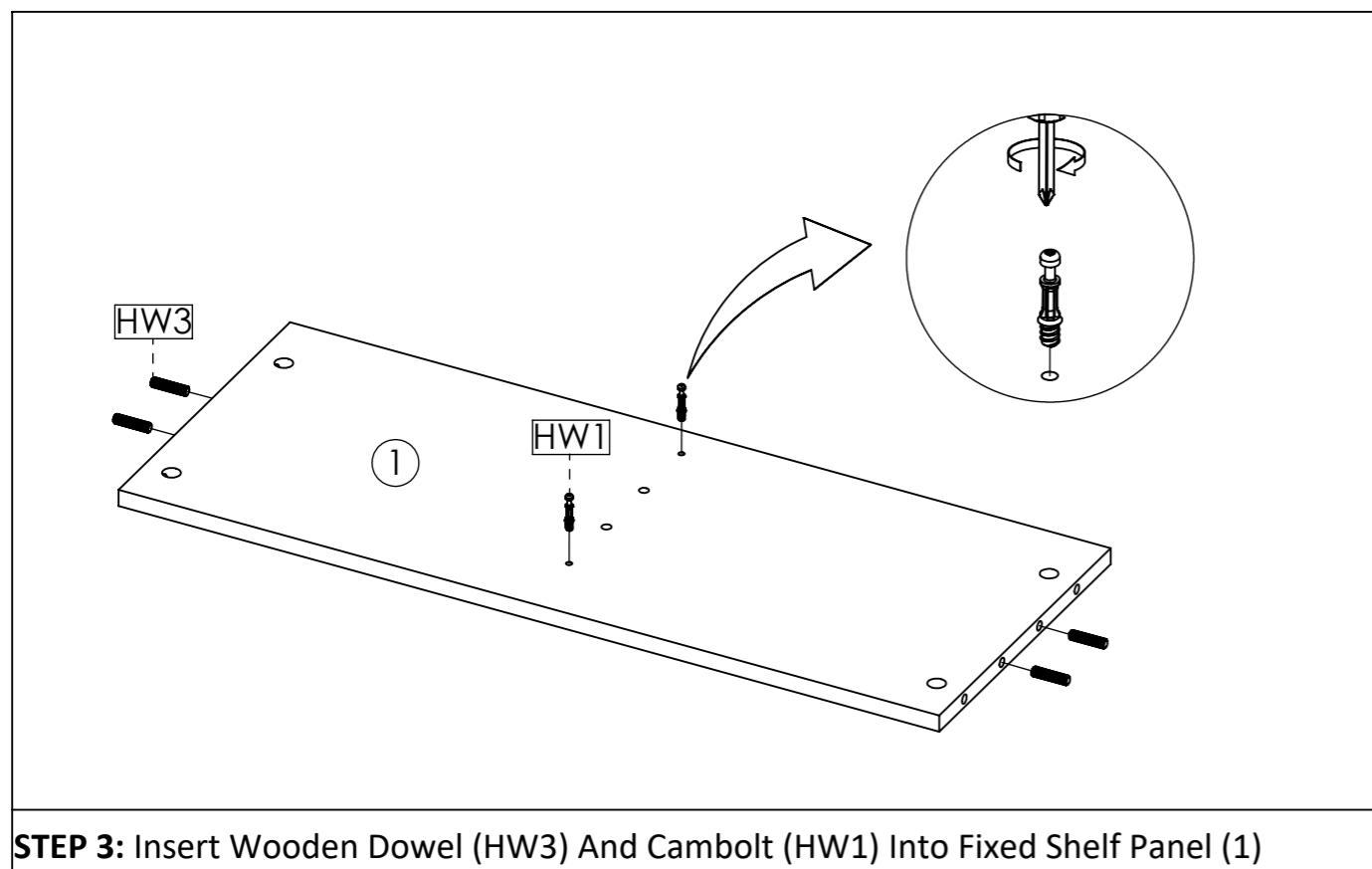
Before beginning assembly of product, make sure all part are present. Compare part with part contents list and hardware contents list.
If any part is missing or damaged, do not attempt to assemble the product.
Estimated Assembly Time: 60 minutes.



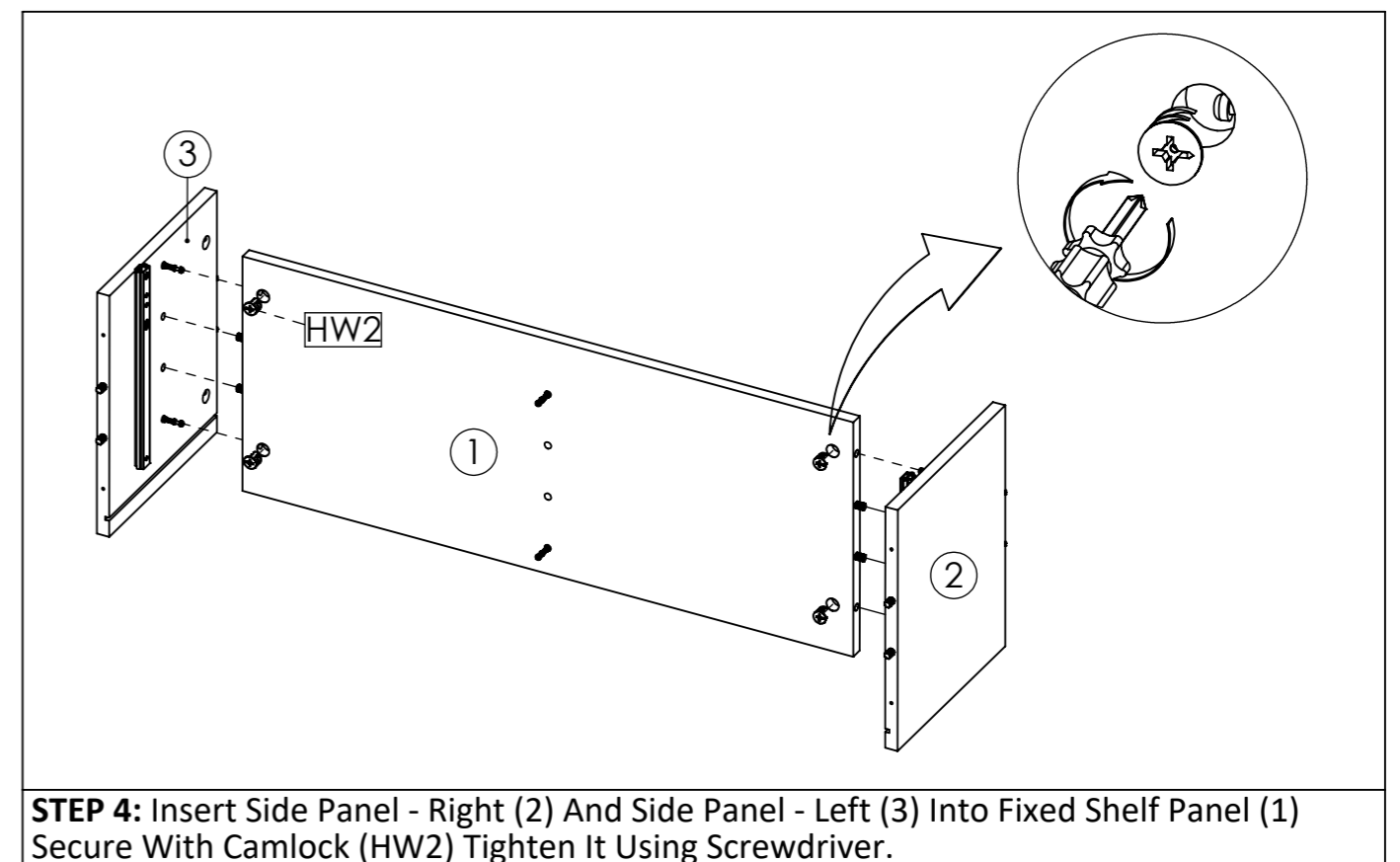
STEP 1: Install the mini slide runner (HW13), into position as shown in picture, Secure with screws M5x8,5mm (HW8). Continue Insert Wooden Dowel (HW3) And Cambolt (HW1) Into Side Panel - Right (2), Tighten It Using Screwdriver.



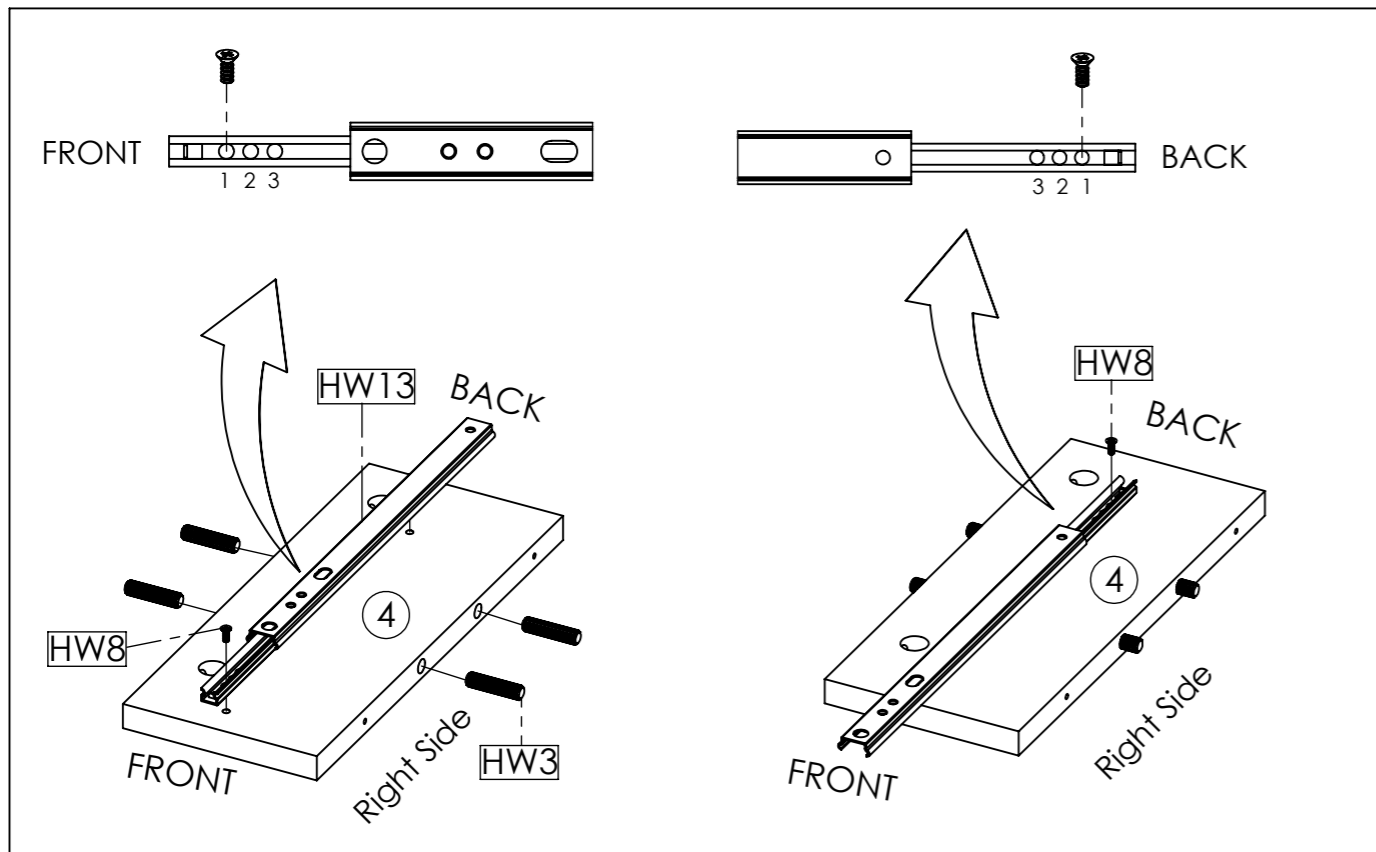
STEP 2: Install the mini slide runner (HW13), into position as shown in picture, Secure with screws M5x8,5mm (HW8). Continue Insert Wooden Dowel (HW3) And Cambolt (HW1) Into Side Panel - Left (3), Tighten It Using Screwdriver



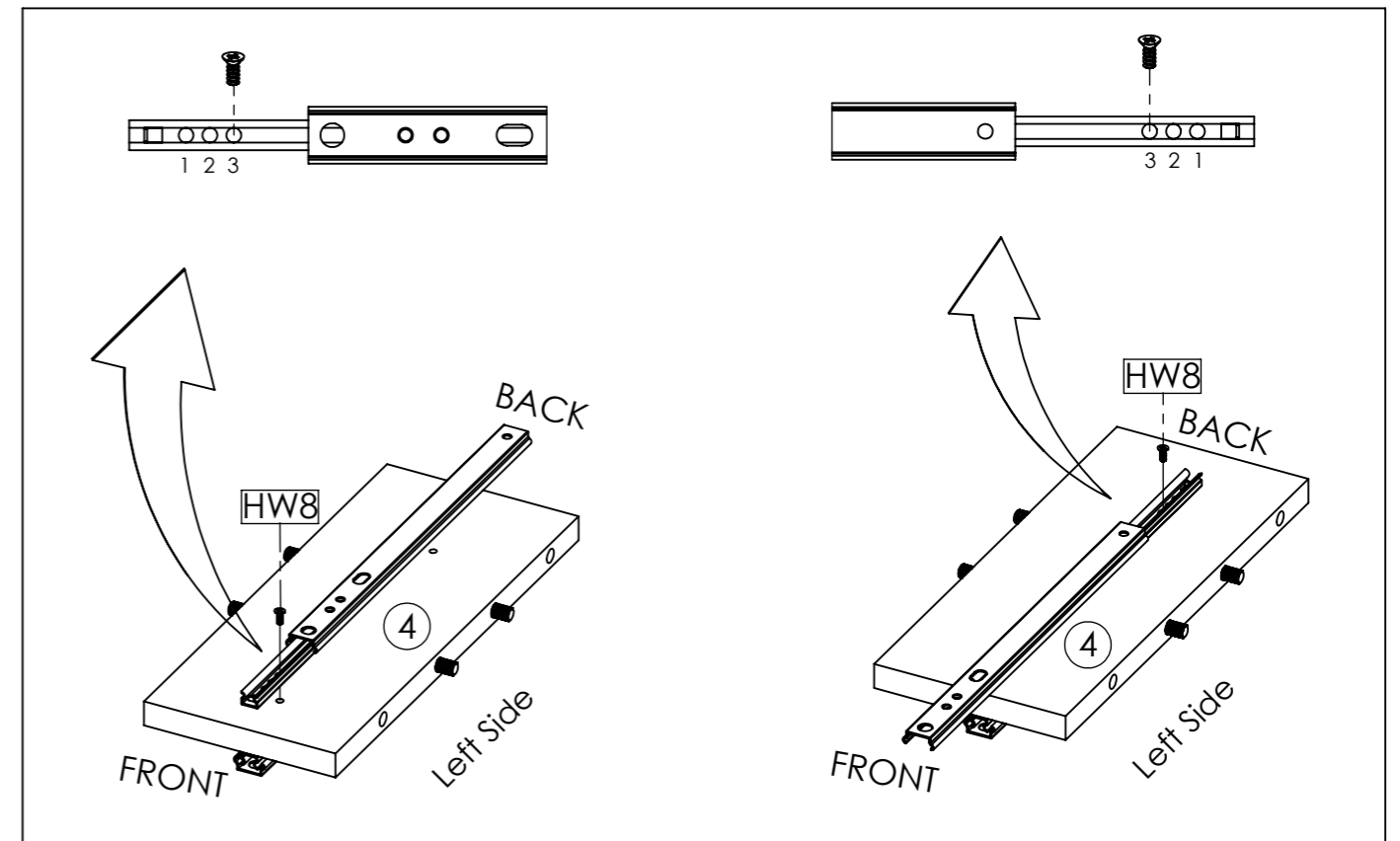
STEP 3: Insert Wooden Dowel (HW3) And Cambolt (HW1) Into Fixed Shelf Panel (1)



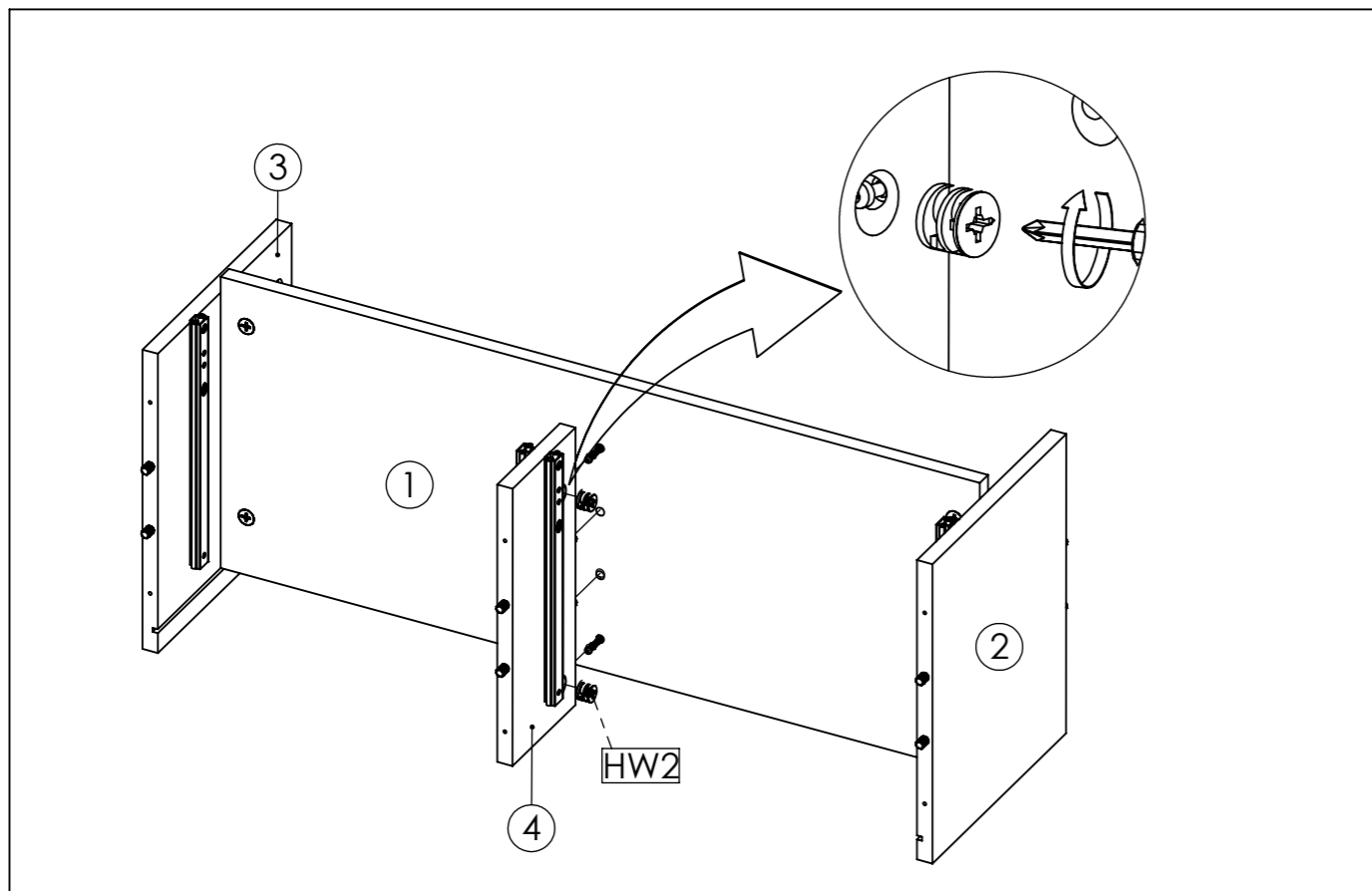
STEP 4: Insert Side Panel - Right (2) And Side Panel - Left (3) Into Fixed Shelf Panel (1) Secure With Camlock (HW2) Tighten It Using Screwdriver.



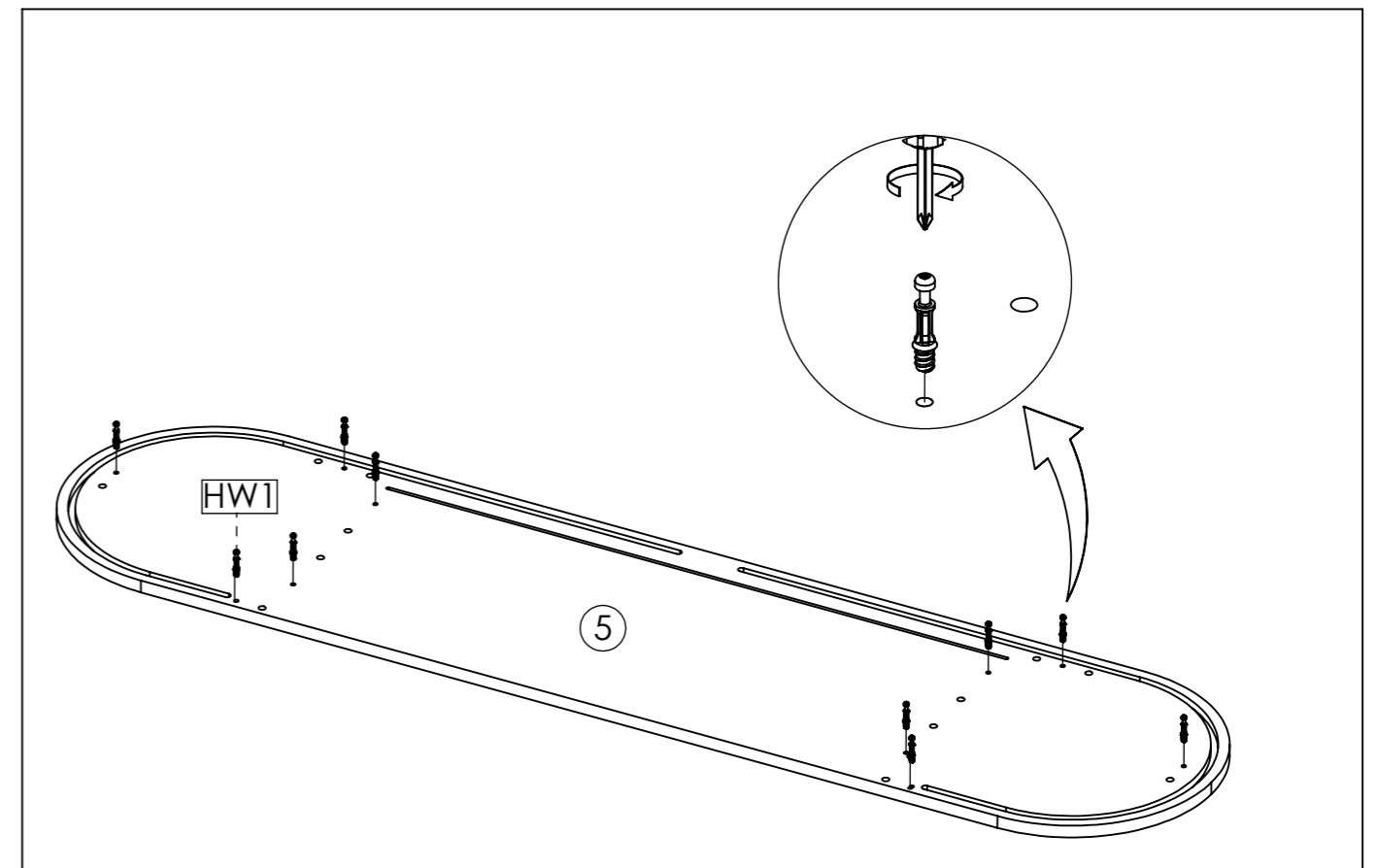
STEP 5: Install the mini slide runner (HW13), into position as shown in picture, Secure with screws M5x8,5mm (HW8). Continue Insert Wooden Dowel (HW3) Into Center Panel (4).



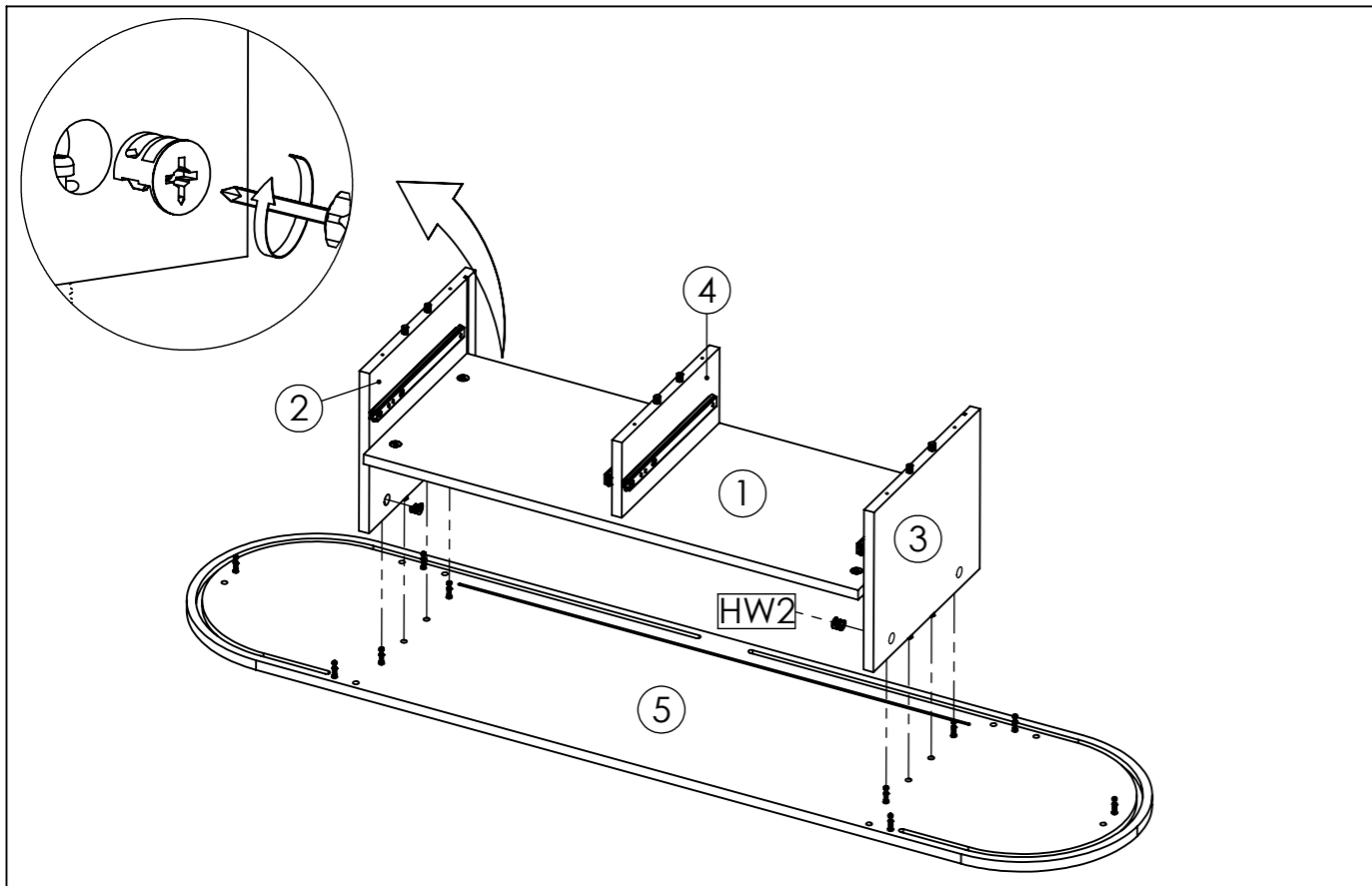
STEP 6: Install the mini slide runner (HW13), into position as shown in picture, Secure with screws M5x8,5mm (HW8) Tighten It Using Screwdriver.



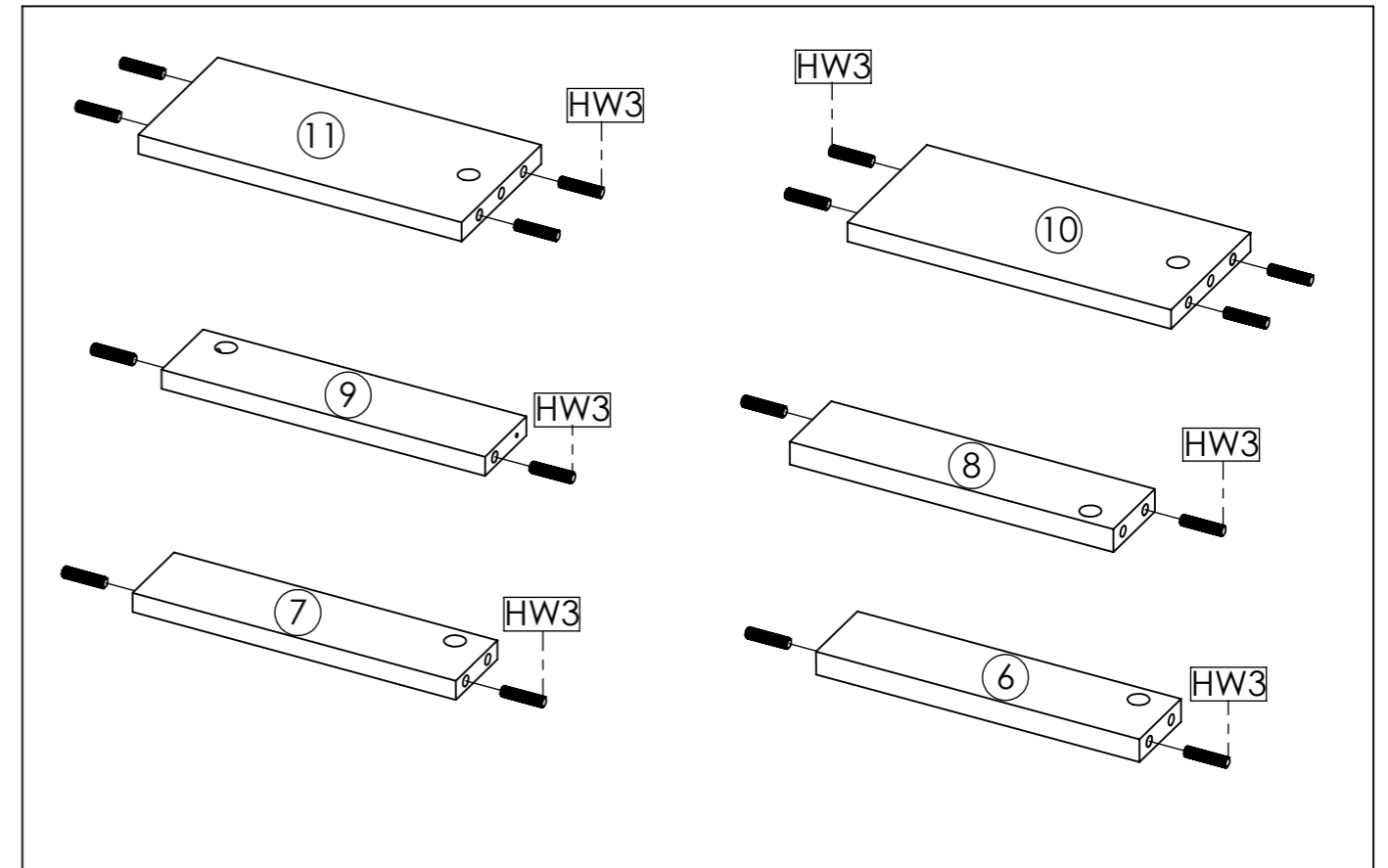
STEP 7: Insert Center Panel (4) Into Fixed Shelf Panel (1) Secure With Camlock (HW2) Tighten It Using Screwdriver.



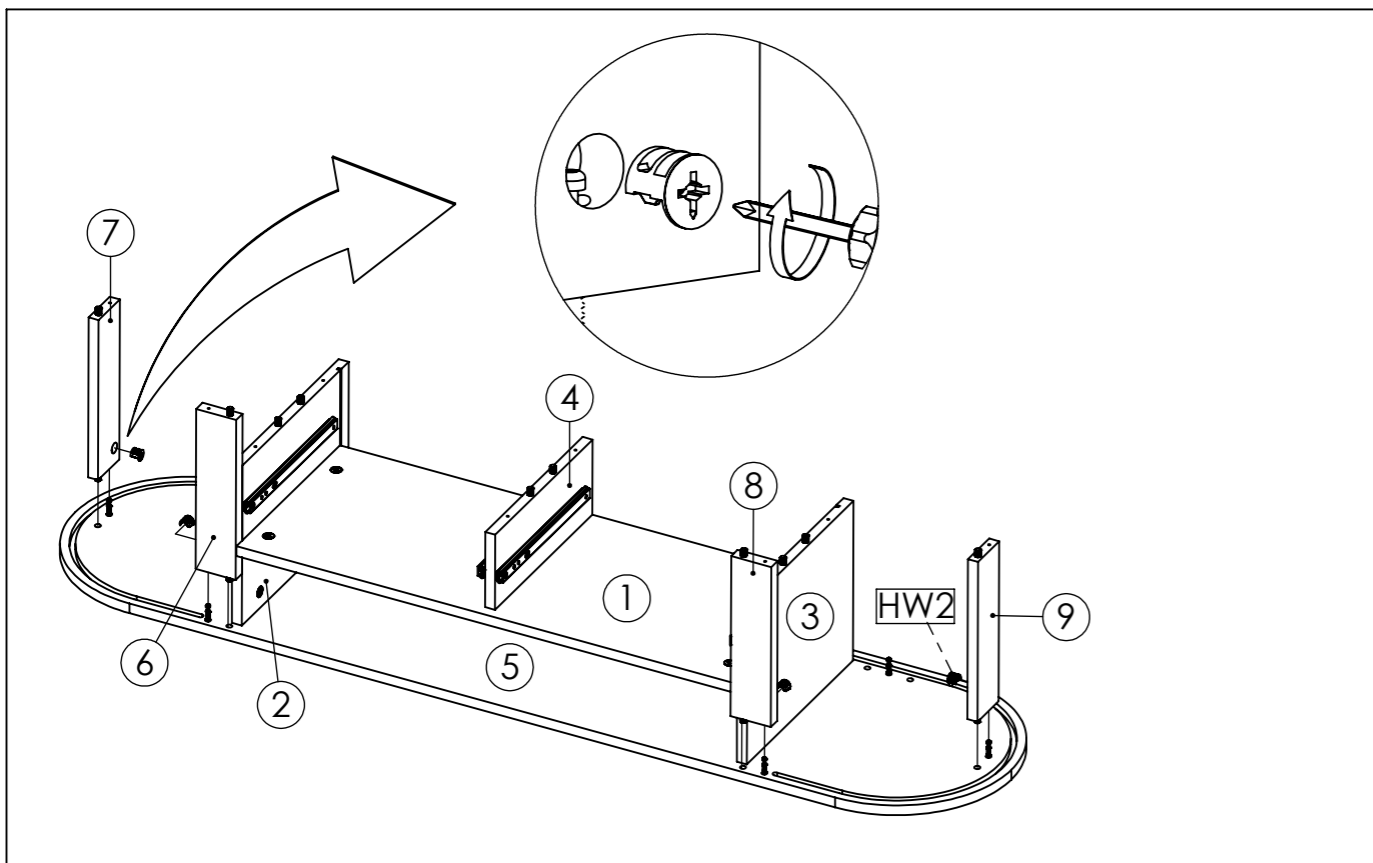
STEP 8: Insert Cambolt (HW1) Into Large Fixed Shelf (5).



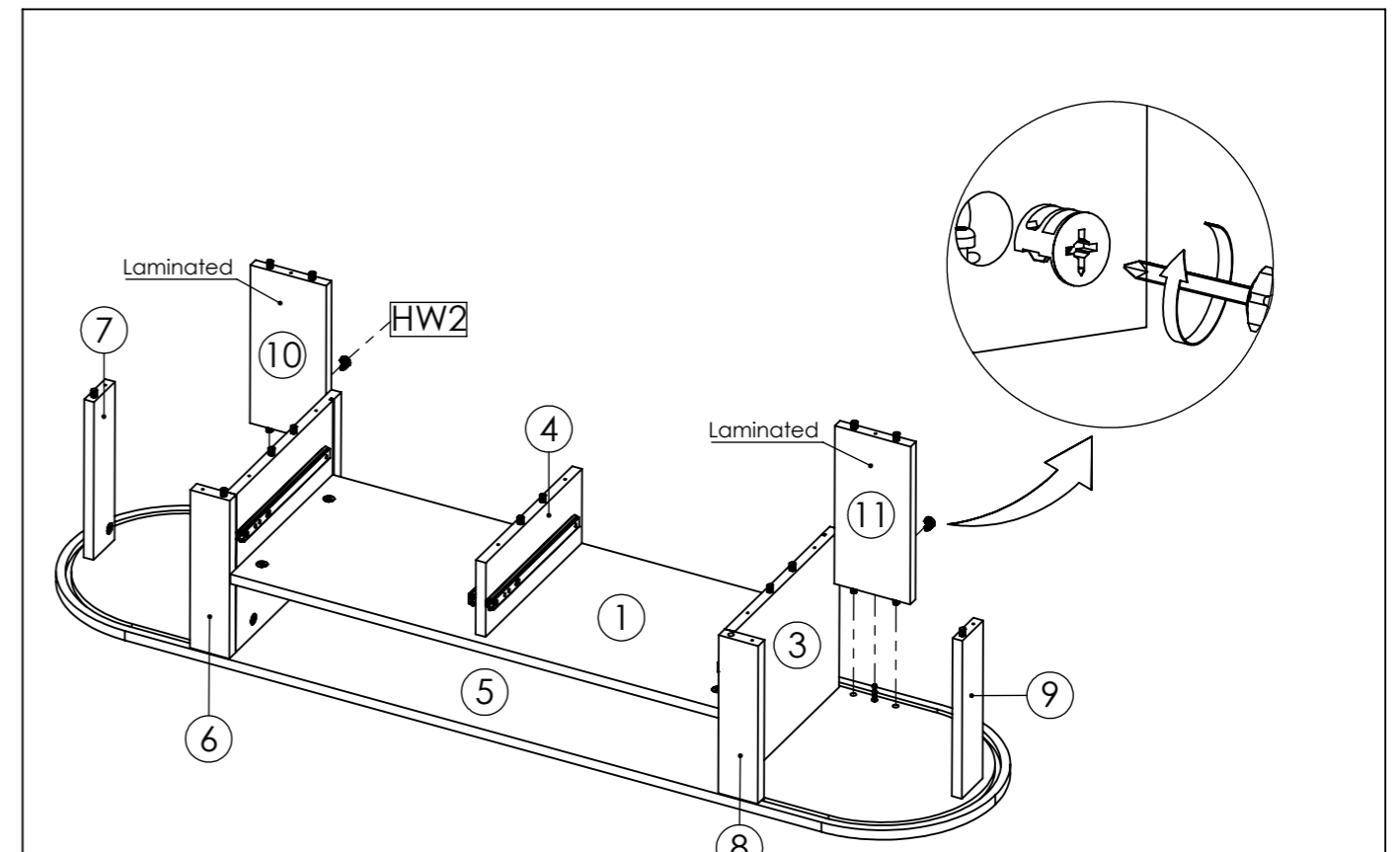
STEP 9: Insert Side Panel - Right (2) And Side Panel - Left (3) Into Large Fixed Shelf (5) Secure With Camlock (HW2) Tighten It Using Screwdriver.



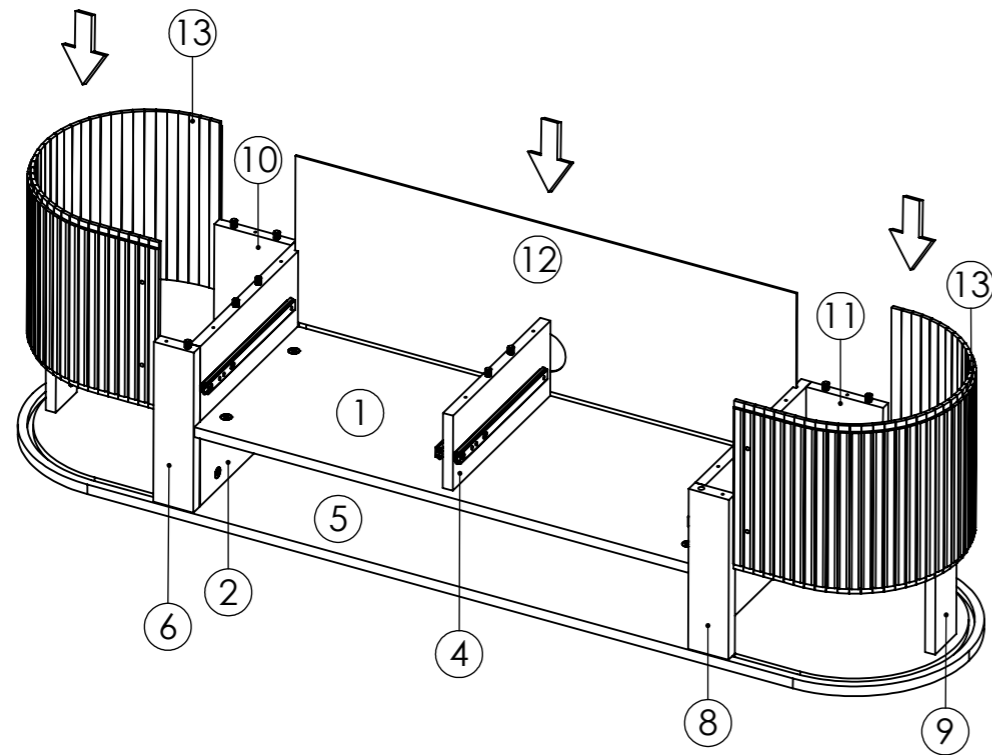
STEP 10: Insert Wooden Dowel (HW3) Into Pillar - Right (6), Side Divider - Right (7), Pillar - Left (8), Side Divider - Left (9), Divider - Right (10) & Divider - Left (11).



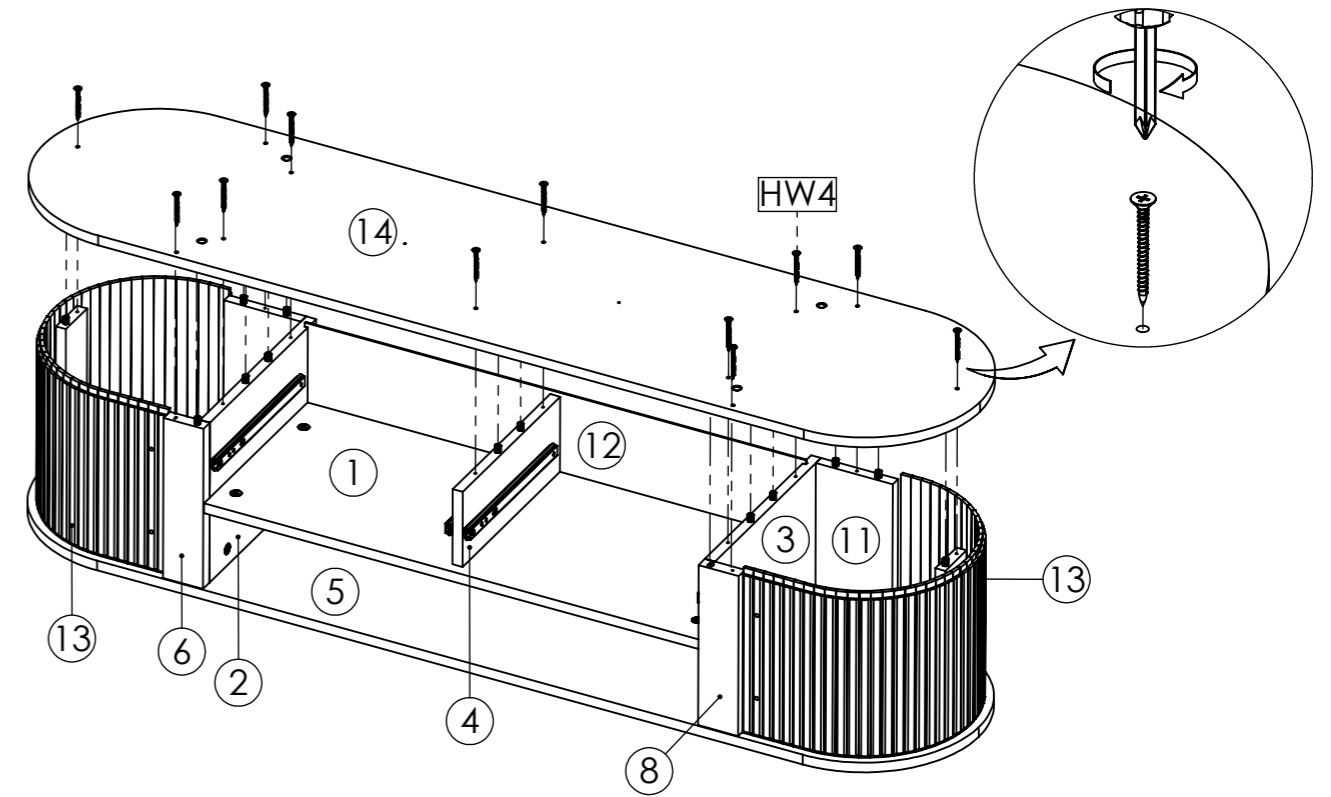
STEP 11: Insert Pillar - Right (6), Side Divider - Right (7), Pillar - Left (8), Side Divider - Left (9), Into Large Fixed Shelf (5) Secure With Camlock (HW2) Tighten It Using Screwdriver.



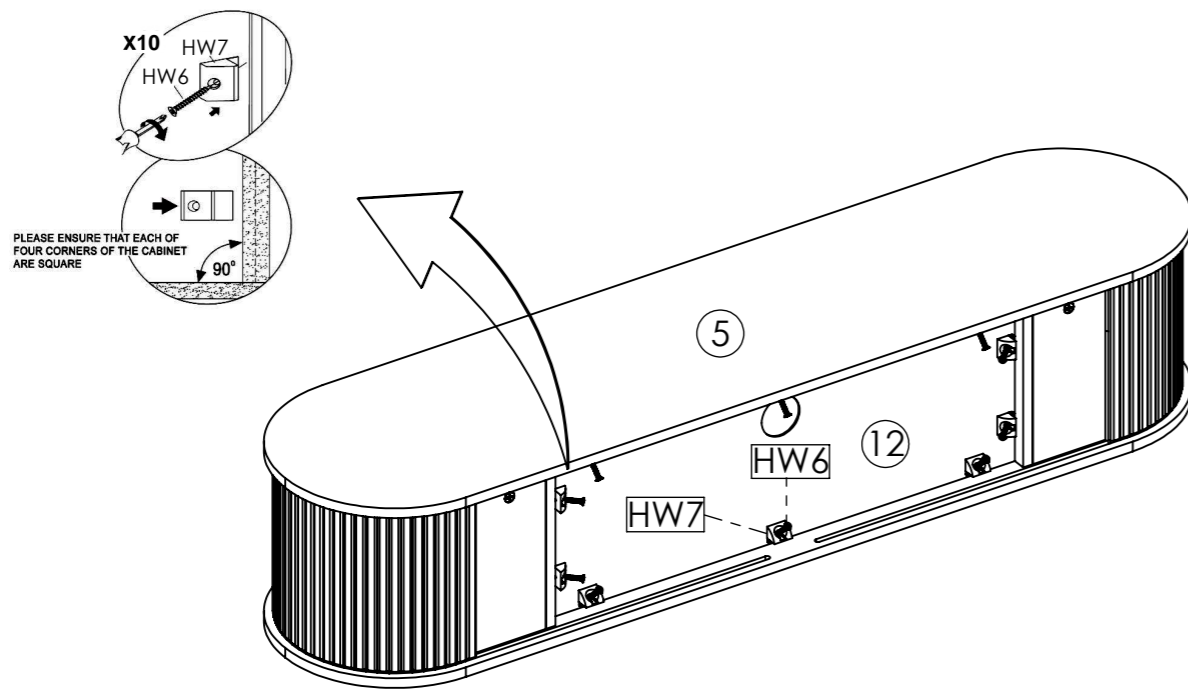
STEP 12: Insert Divider - Right (10) & Divider - Left (11). Secure With Camlock (HW2) Tighten It Using Screwdriver.



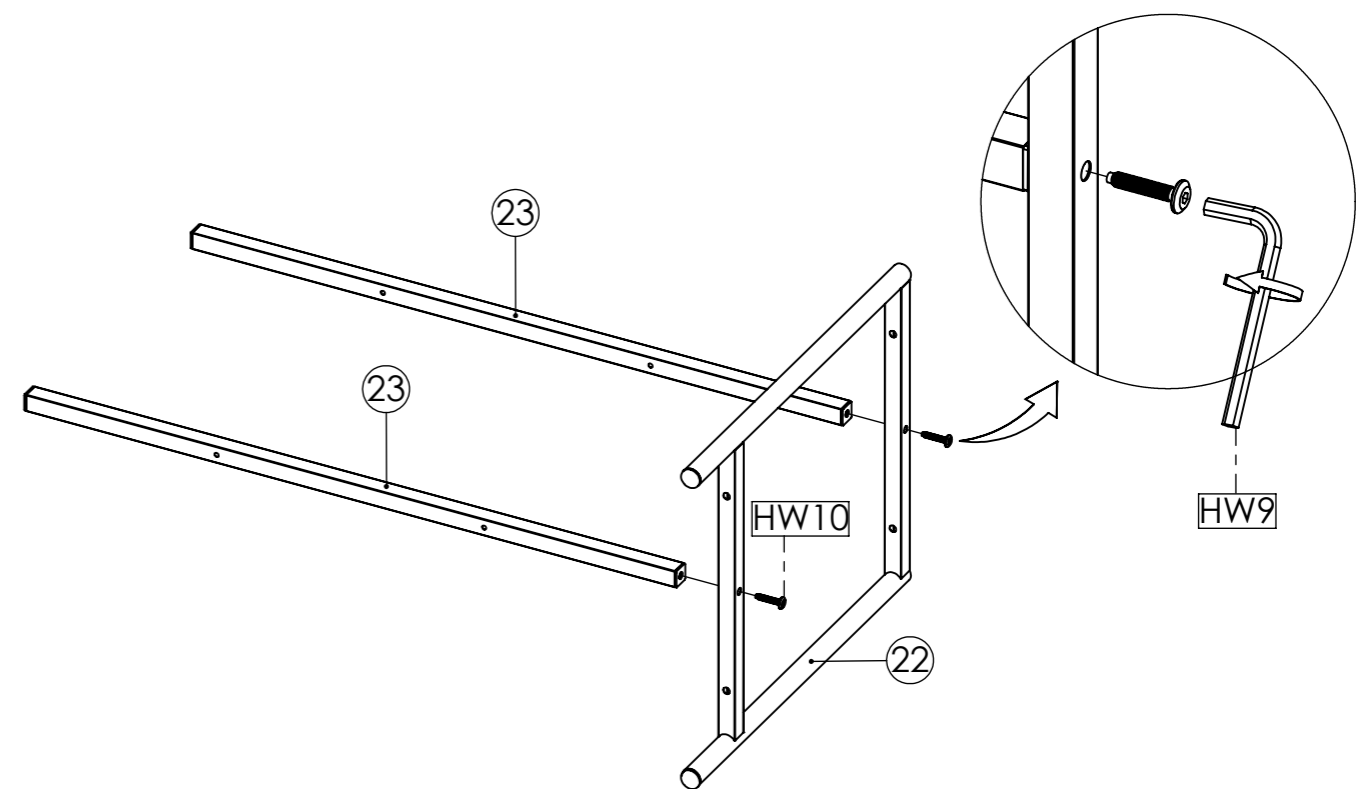
STEP 13: Insert Back Panel (12) And Door Panel (13) Into Large Fixed Shelf (5)



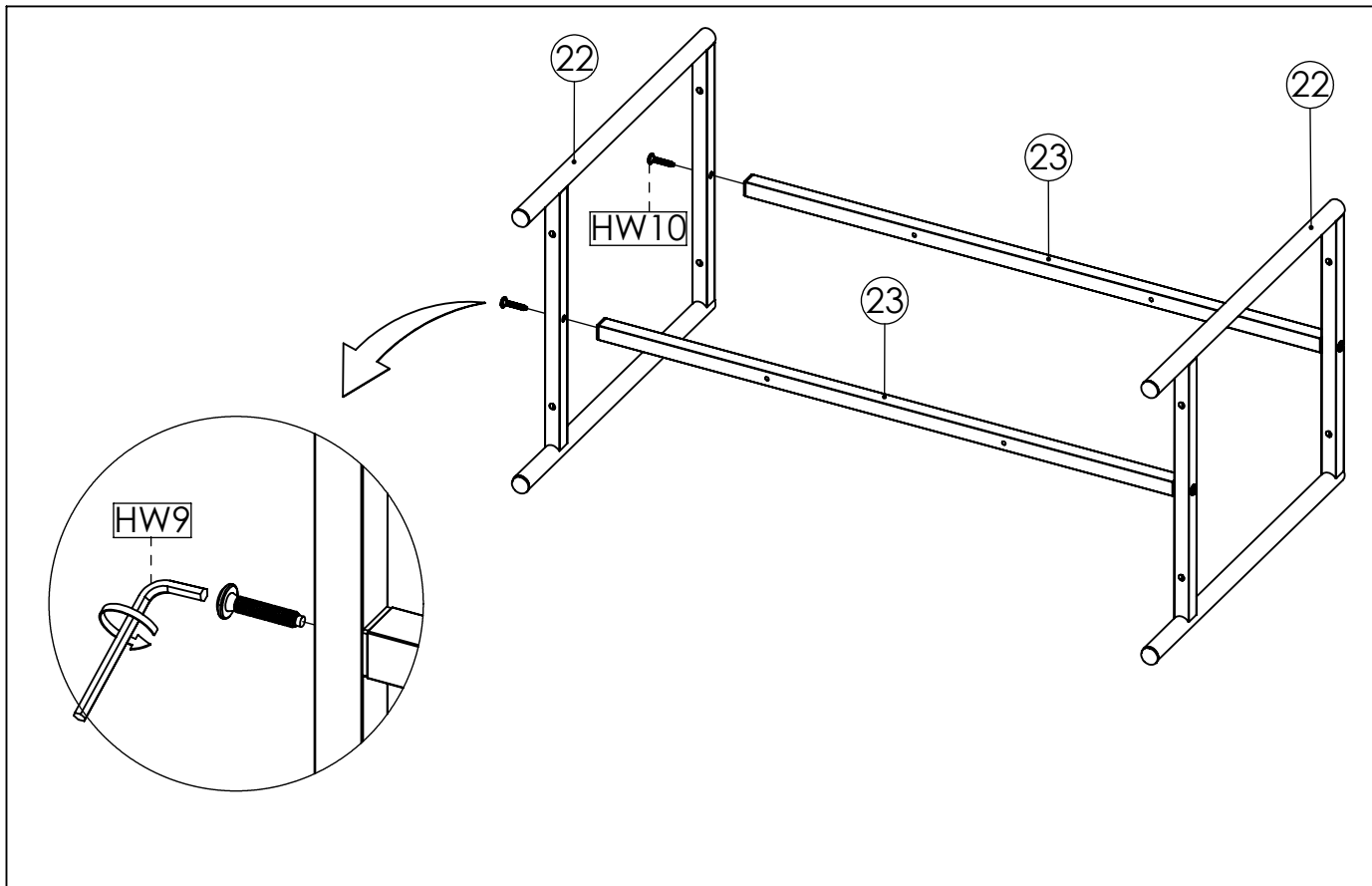
STEP 14: Insert Bottom Panel (14) Secure with Screw M6 x 50 mm (HW4) tighten it using screwdriver.



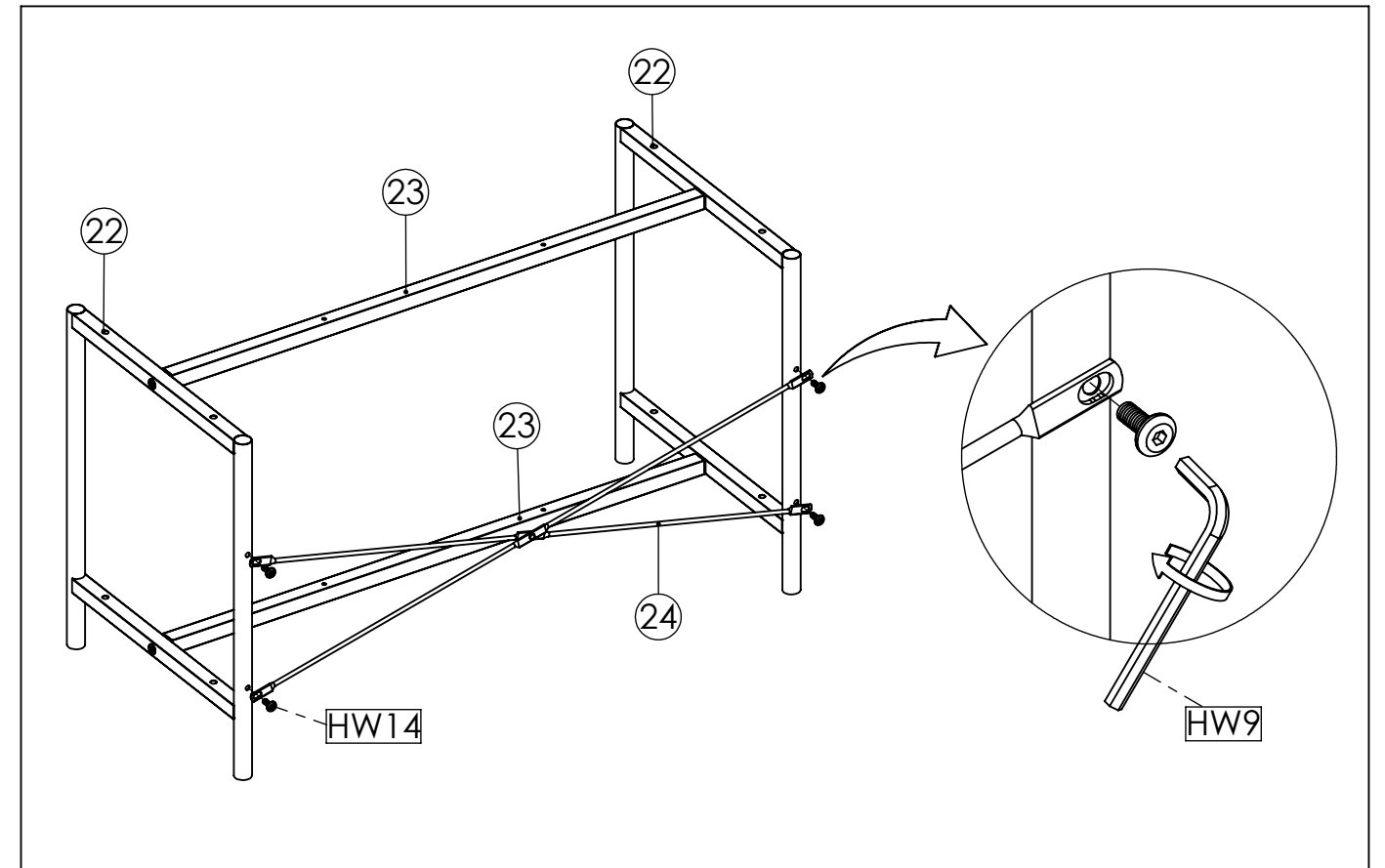
STEP 15: Attach Plastic Stopper (HW7) Secure with Screw M4 x 19 mm (HW6) tighten it using screwdriver.



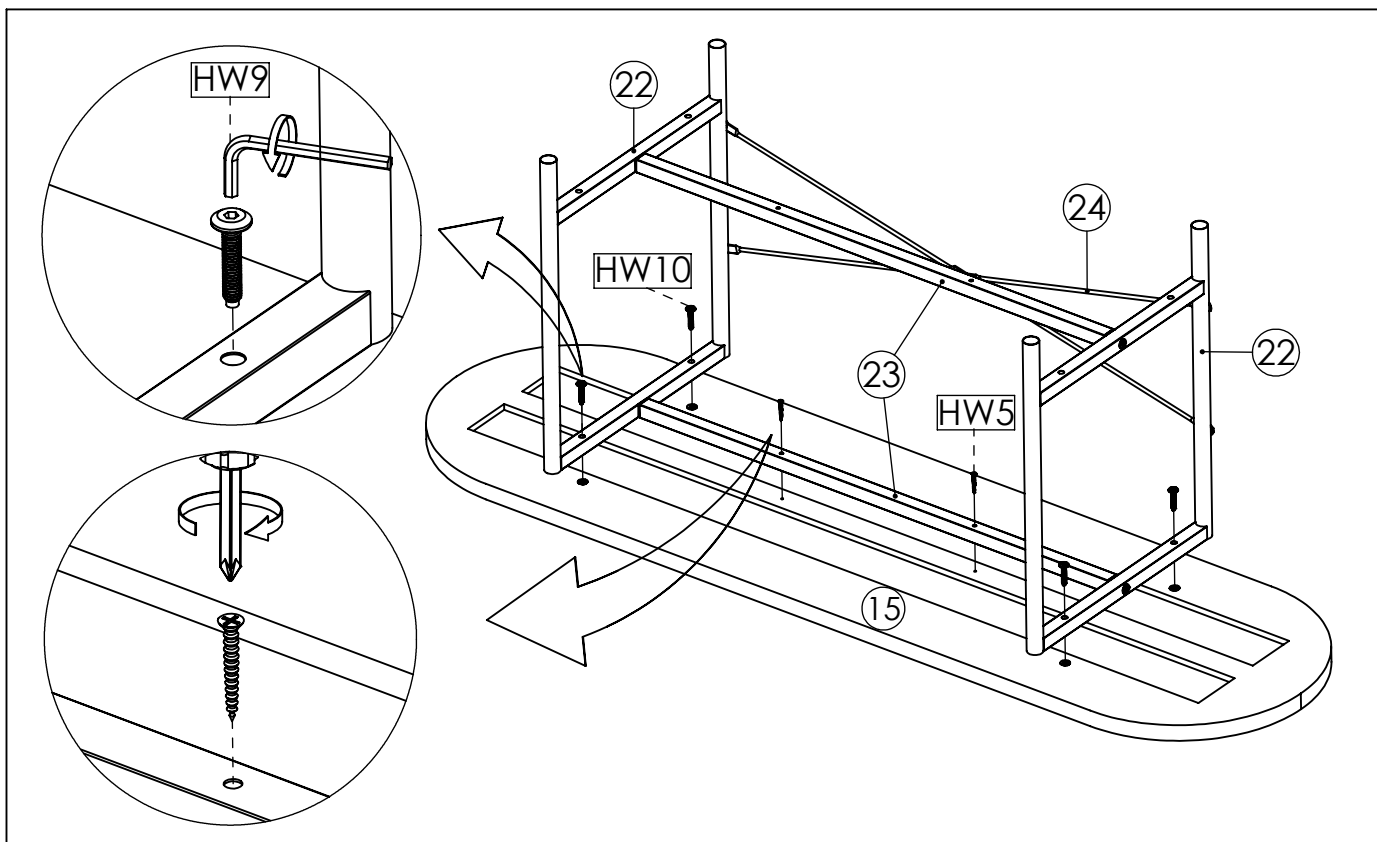
STEP 16: Attach Frame Support (23) Into Frame Leg Left/Right (22) Secure with Allen Bolt M6 x 30 mm (HW10) tighten it using Allen Key (HW9).



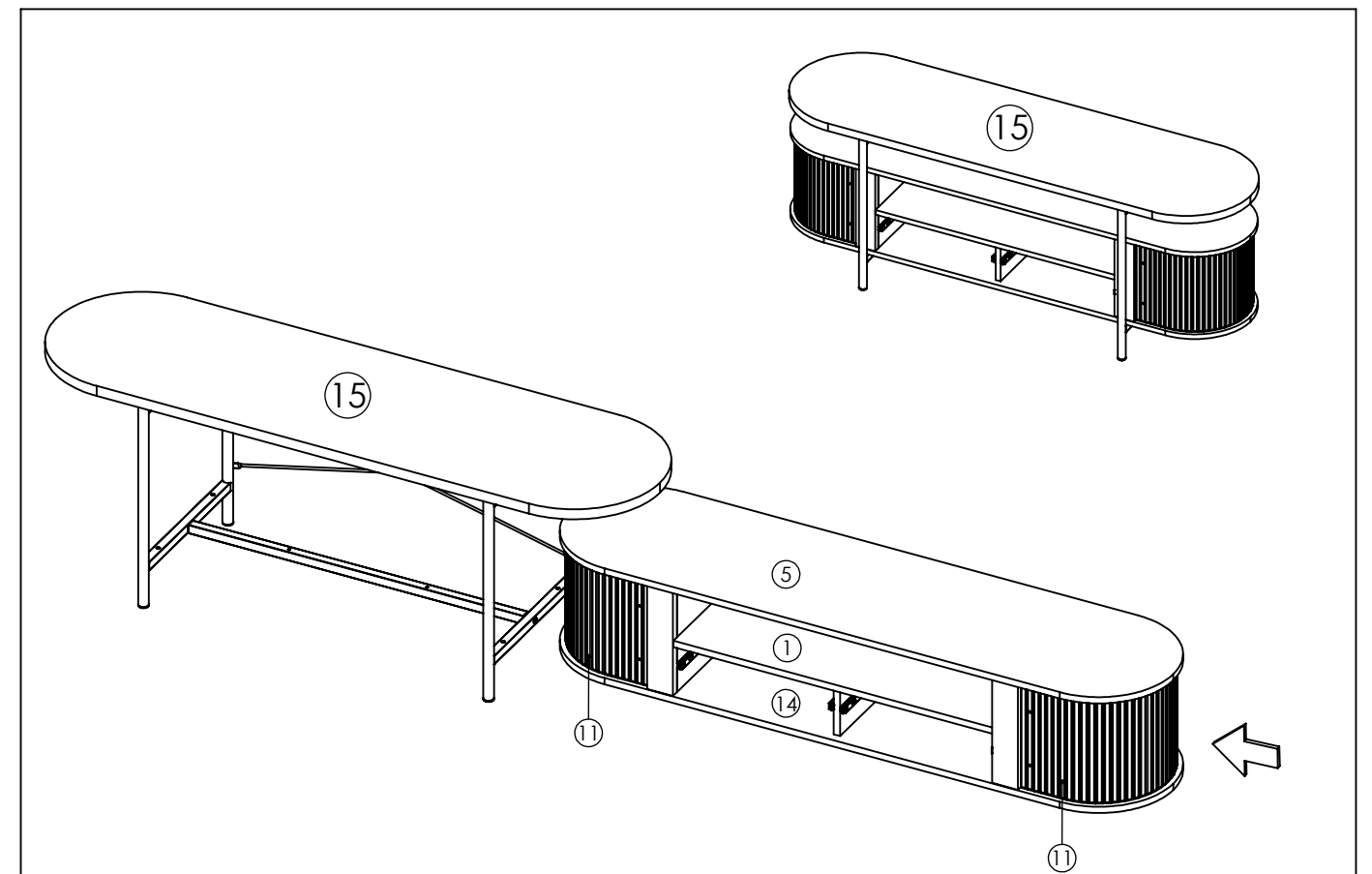
STEP 17: Attach Frame Leg Left/Right (22) Into Frame Support (23) Secure with Allen Bolt M6 x 30 mm (HW10) tighten it using Allen Key (HW9).



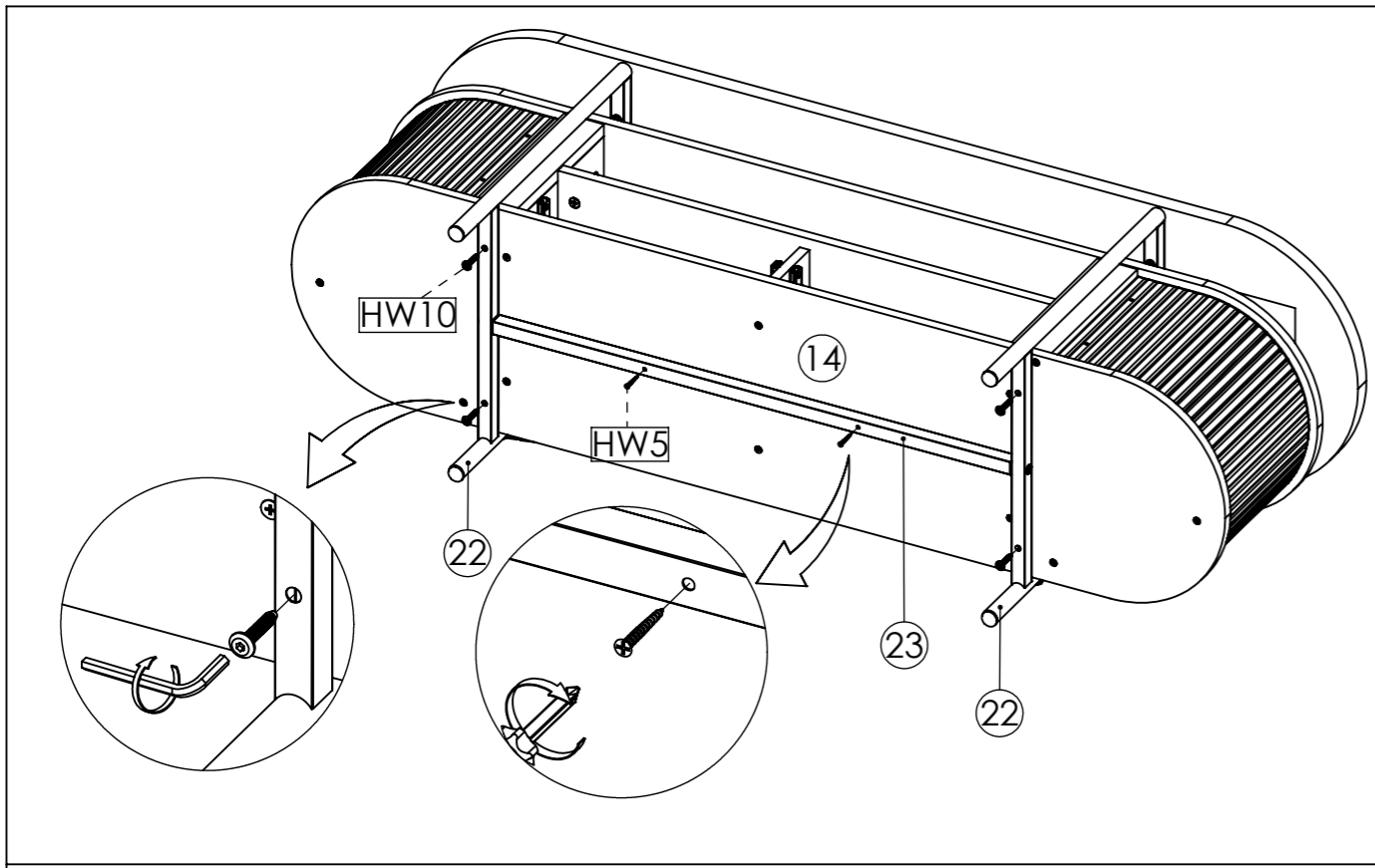
STEP 18: Attach Frame Bracing (24) Into Frame Leg Left/Right (22) Secure with Allen Bolt M6 x 15 mm (HW14) tighten it using Allen Key (HW9).



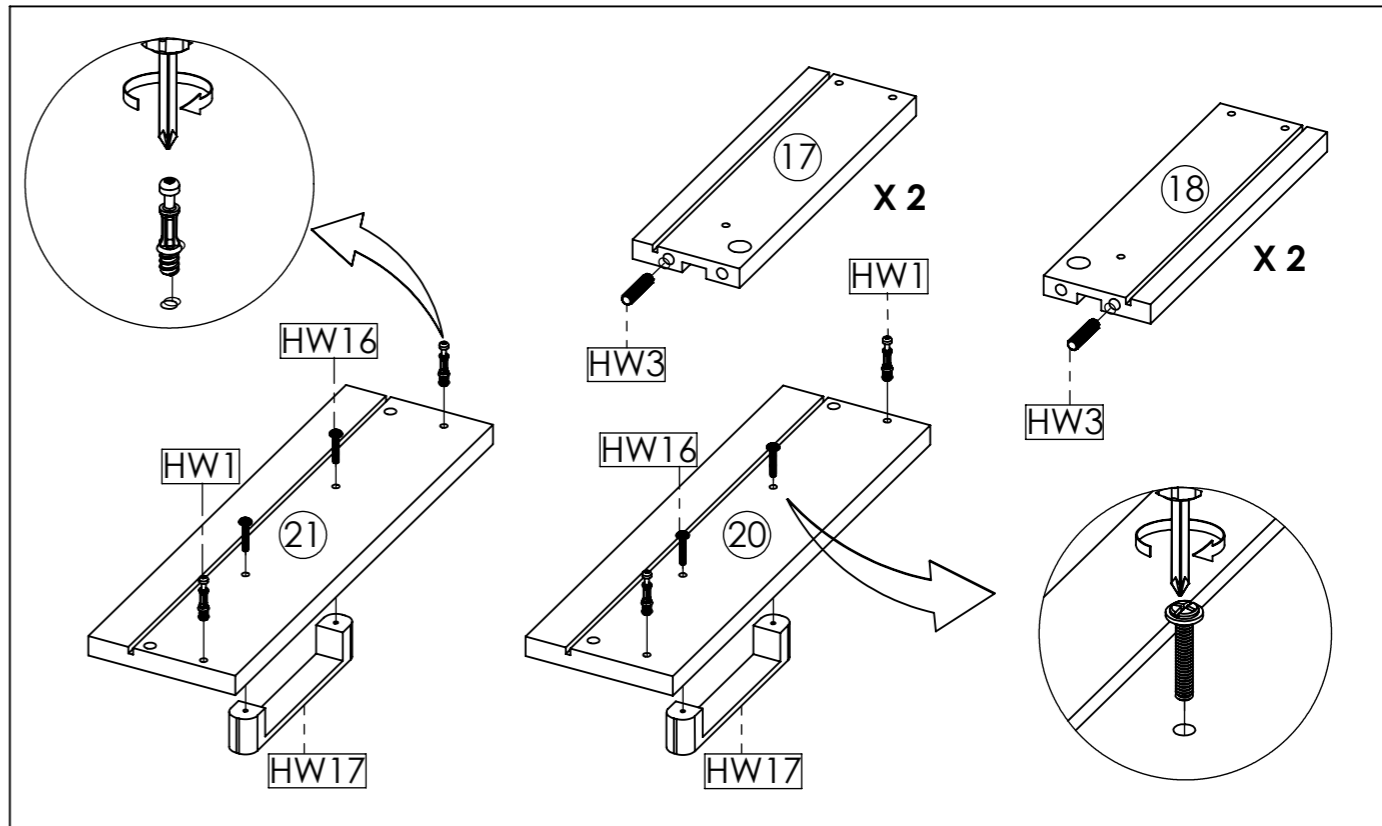
STEP 19: Attach Frame Metal Into Top Panel (15) Secure with Allen Bolt M6 x 30 mm (HW10) tighten it using Allen Key (HW9) And Secure with Screw M7 x 32 mm (HW5) tighten it using screwdriver.



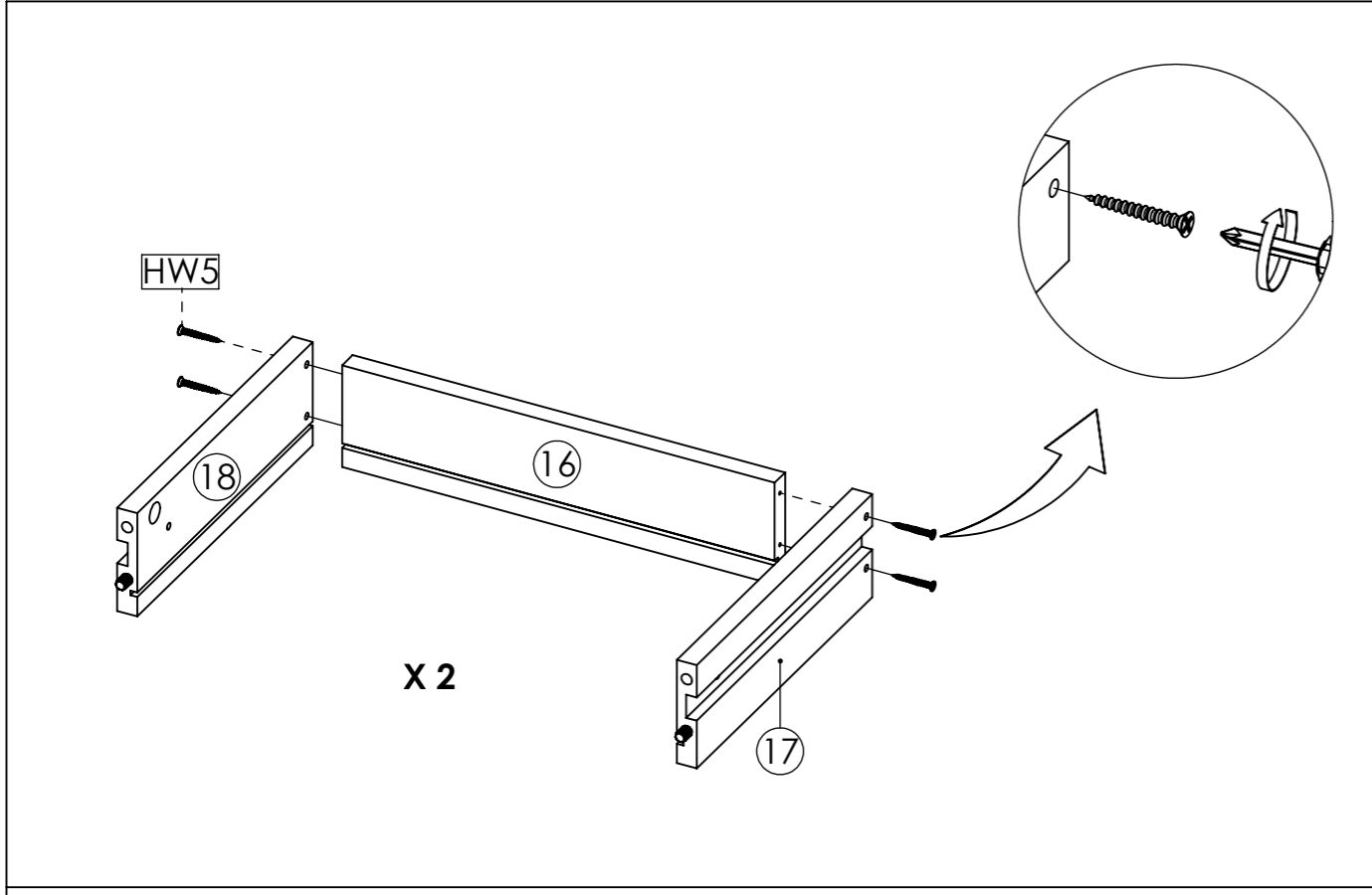
STEP 20: Insert Cabinet Into Frame Metal Position As The Above Image.



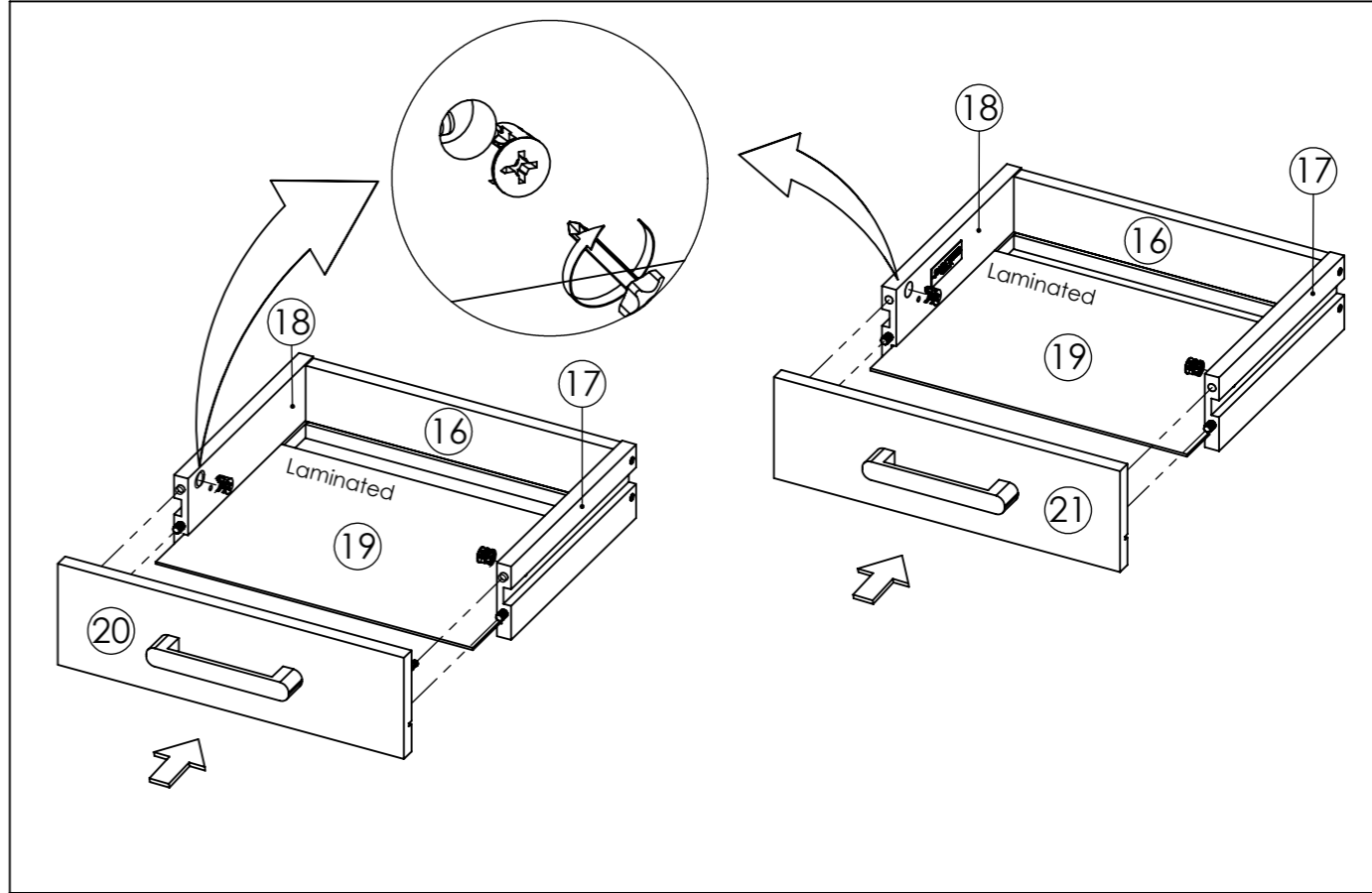
STEP 21: Secure Frame Metal Into Bottom Panel (14) With Screw M7 x 32 mm (HW5) tighten it using screwdriver, Continue Secure with Allen Bolt M6 x 30 mm (HW10) tighten it using Allen Key (HW9).



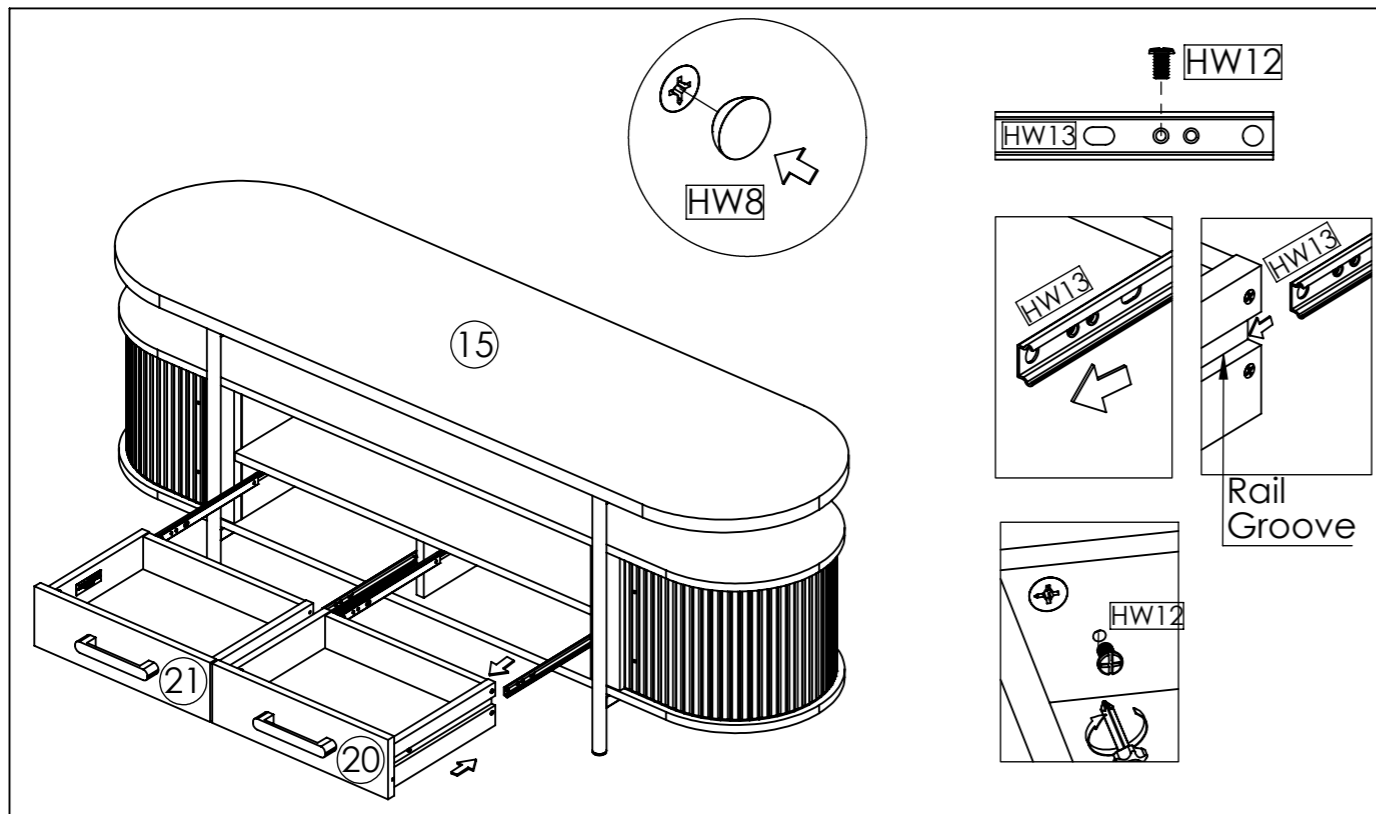
STEP 22: Insert Wooden Dowel (HW3) Into Side Drawer - Right (17), Side Drawer - Left (18). Insert Cambolt (HW1) Into Front Drawer - Right (20) And Front Drawer - Left (21). Insert Handle Drawer (HW17) Into Front Drawer - Right (20) And Front Drawer - Left (21) Secure With Bolt M4 x 25 mm (HW16) tighten it using screwdriver.



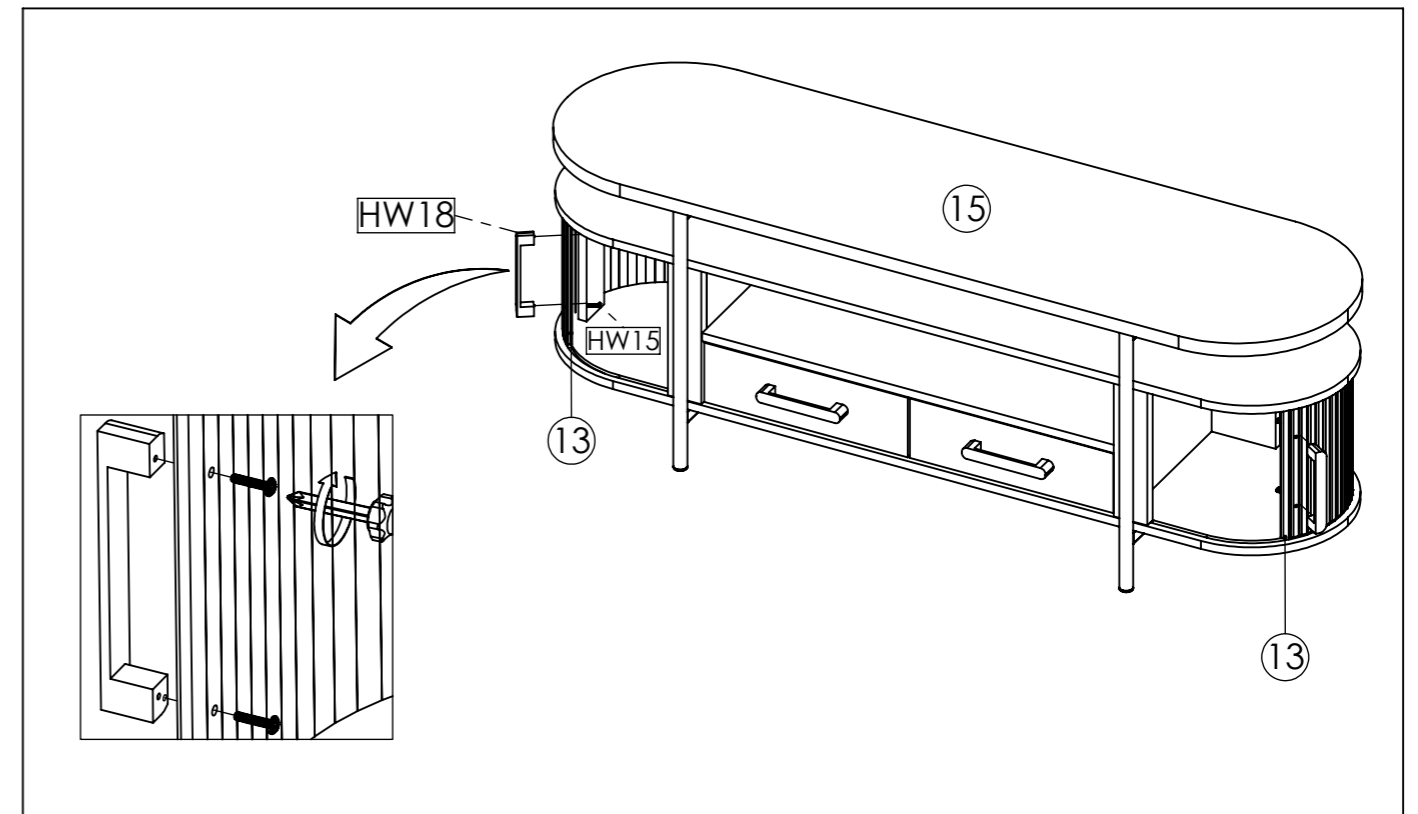
STEP 23: Combine Side Drawer (17 & 18) Into Back Drawer (16) Secure With Screw M7 x 32 mm (HW5) tighten it using screwdriver.



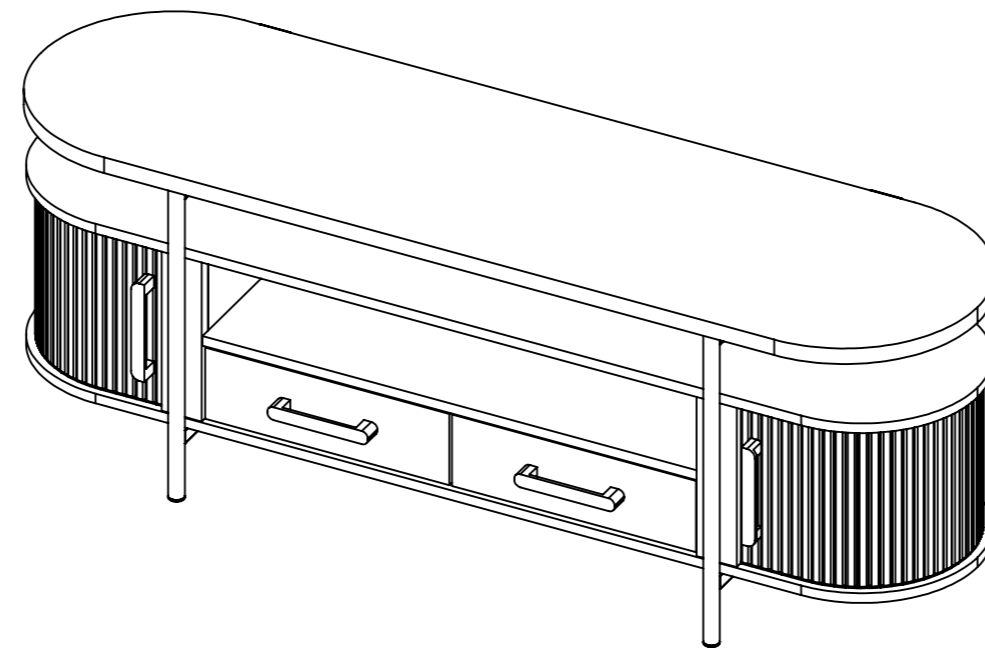
STEP 24: Insert Drawer Base (19), And Front Drawer (20 & 21) then tighten Camlock (HW2) it using screwdriver.



STEP 25: Hold the sides of Drawer, Position the wheel of rail at Drawer Back, and the wheel of rail at side boards, According to the Image Slide in the Drawers one by one into the Cabinet.
Attach Cover Cap Sticker (HW8) to the panel that has lamination.



STEP 26: Insert Handle Door (HW18) Into Door Panel (13) Secure With Bolt M4 x 19 mm (HW15) tighten it using screwdriver.



STEP 27: Assembly is complete

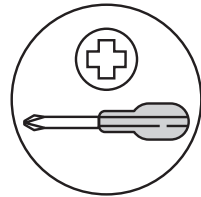
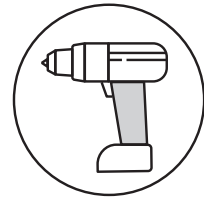


ANTI-TIP RESTRAINT INSTALLATION

! WARNING!

Children have died from furniture tipover.
To reduce the risk of furniture tipover:

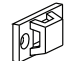

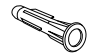
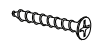

- ALWAYS install tipover restraint provided.
- NEVER allow children to stand, climb or hang on drawers, doors, or shelves.
- NEVER open more than one drawer at a time.
- Place heaviest items in the lower drawers.

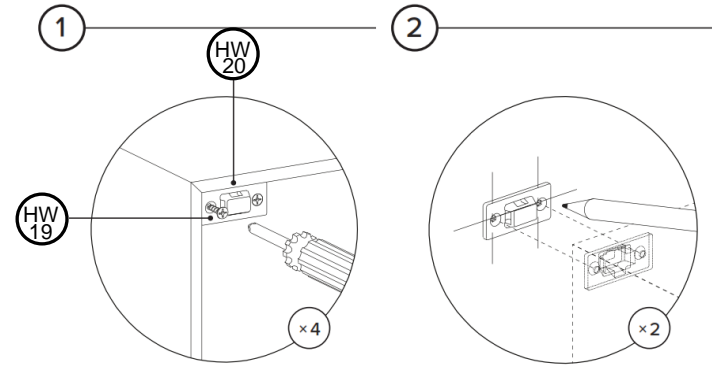


REQUIRED TOOL
8MM / 5/16" DRILL BIT

REQUIRED TOOL

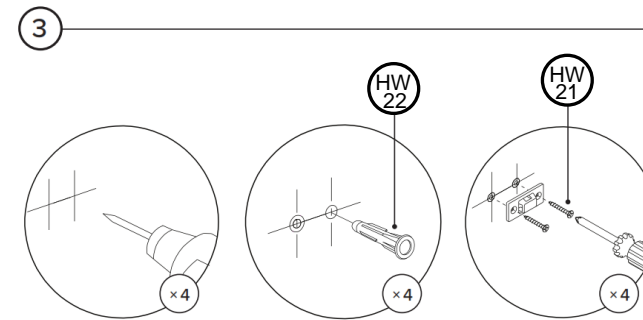
! Hardware (HW22/HW21) to attach brackets to wall is designed for drywall. To attach this unit to another type of wall, consult with your local hardware store.

ANTI-TIP RESTRAINT PACK			
ID	DESCRIPTION		QTY
HW20	BRACKET		4
HW19	M6 × 15MM SCREW		4
HW22	M8 × 35MM PLUG		4
HW21	M10 × 50MM SCREW		4
HW20	STRAP		2

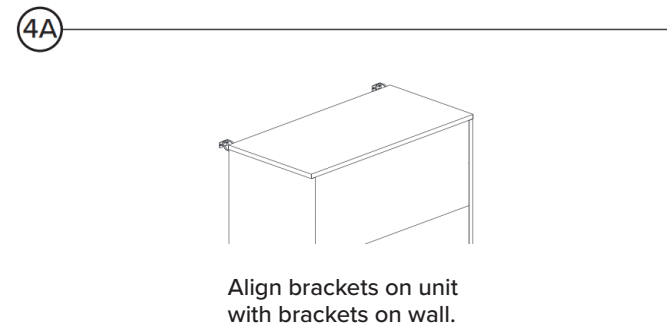


Attach pair of brackets to "Top Panel" of the unit. Note there are no existing pilot holes on the product.

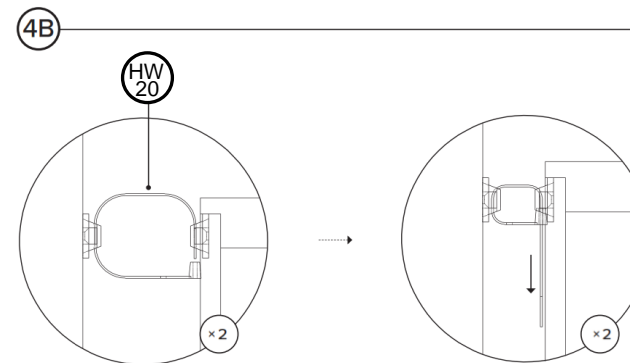
Mark on wall where second pair of brackets should be placed.



Drill holes in wall using 8mm / 5/16" drill bit.



Align brackets on unit with brackets on wall.



Pull strap down until it snap-locks.