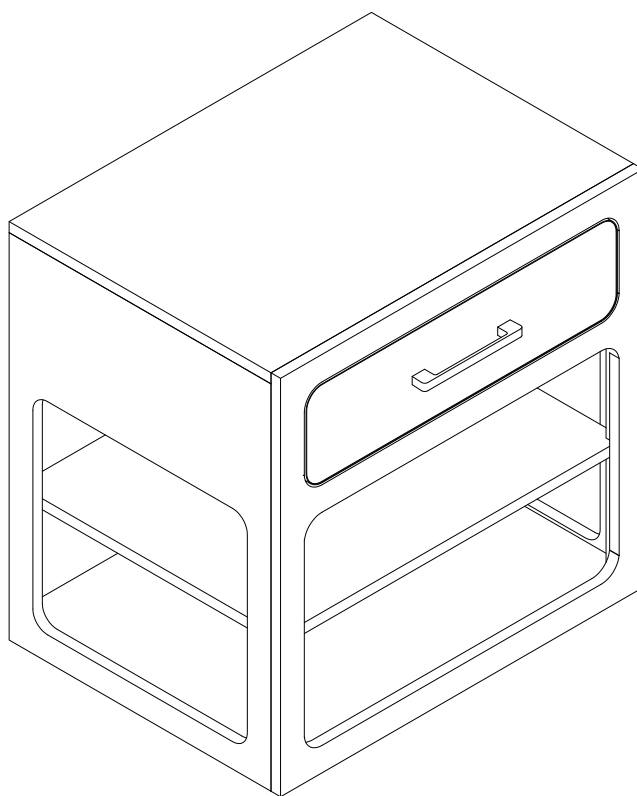
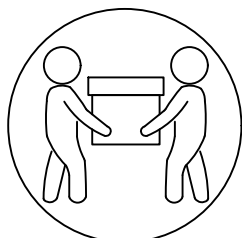


ASSEMBLY INSTRUCTIONS

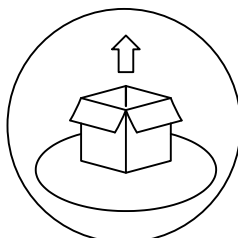


Notice:

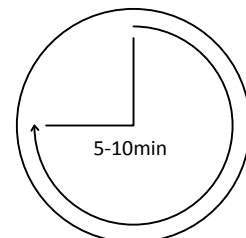
1. Follow the installation instructions. Please confirm all accessories are present before installation.
2. Do not fully tighten the screws during initial assembly. Tighten them completely only after all pieces are correctly aligned.
3. If you encounter any issues during installation, please contact our customer service for assistance.
4. Unbox the item from the side labeled "Open" and lay a protective mat or cloth on the floor to avoid scratches.



Recommended Assembly:
2 people



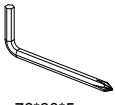
Lay a protective mat
or cloth



Estimate installation
time

Hardware

1 x 1 PC



76*30*5mm

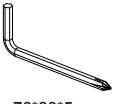
2 x 1 PC



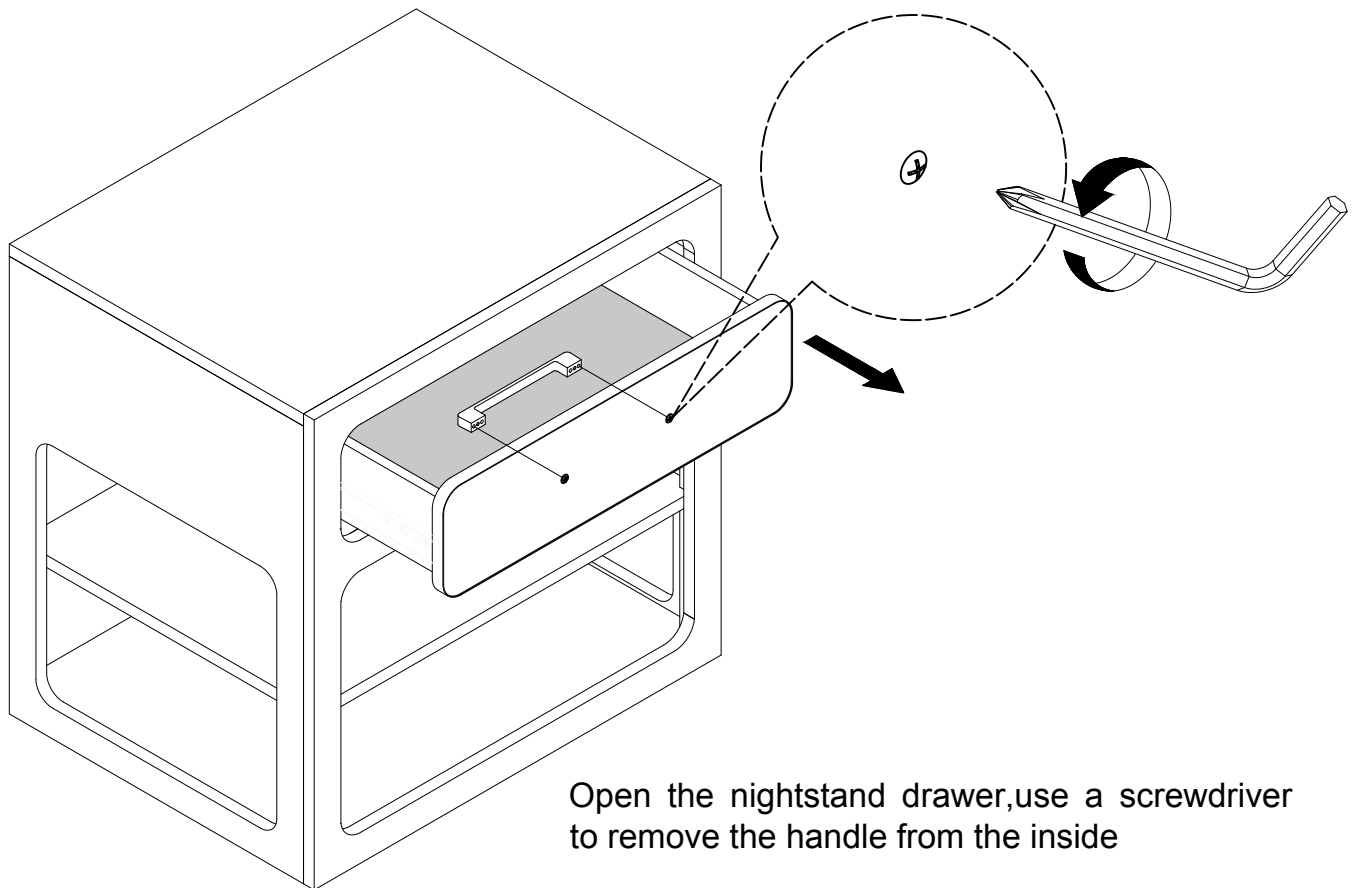
Anti-Tip Bracket

1

1 x 1 PC



76*30*5mm



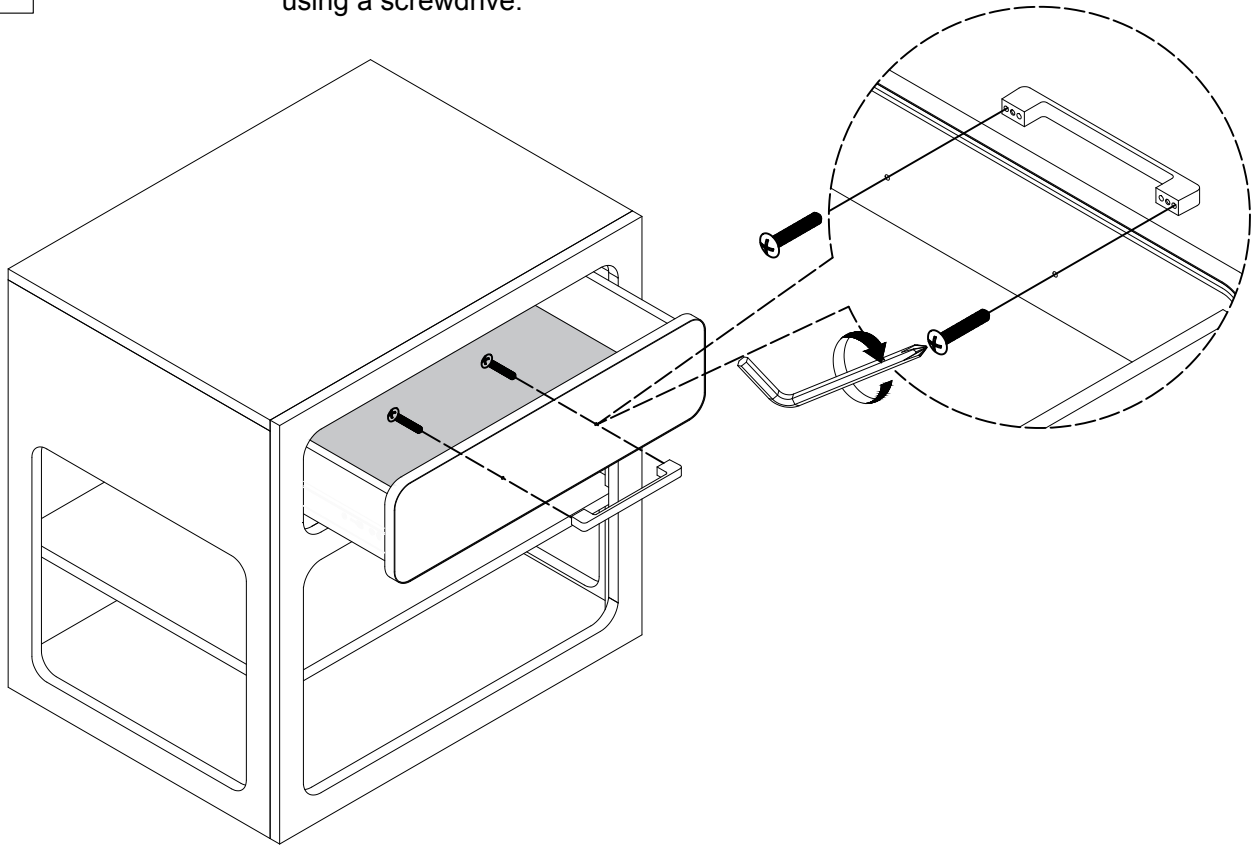
Open the nightstand drawer, use a screwdriver to remove the handle from the inside

2

1 x 1 PC



Reattach the handle to the outside of the drawer using a screwdriver.

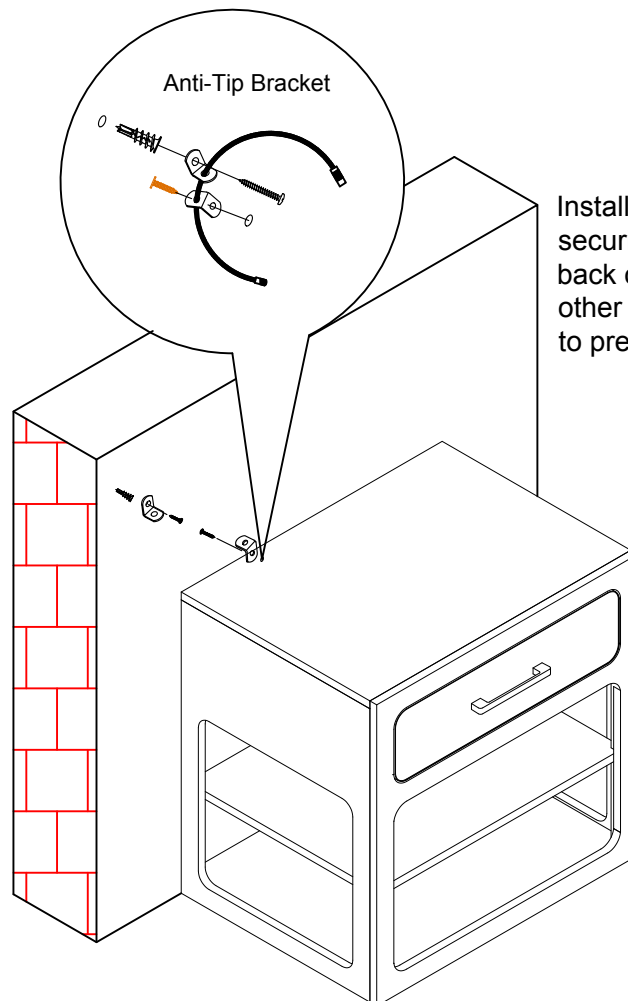


3

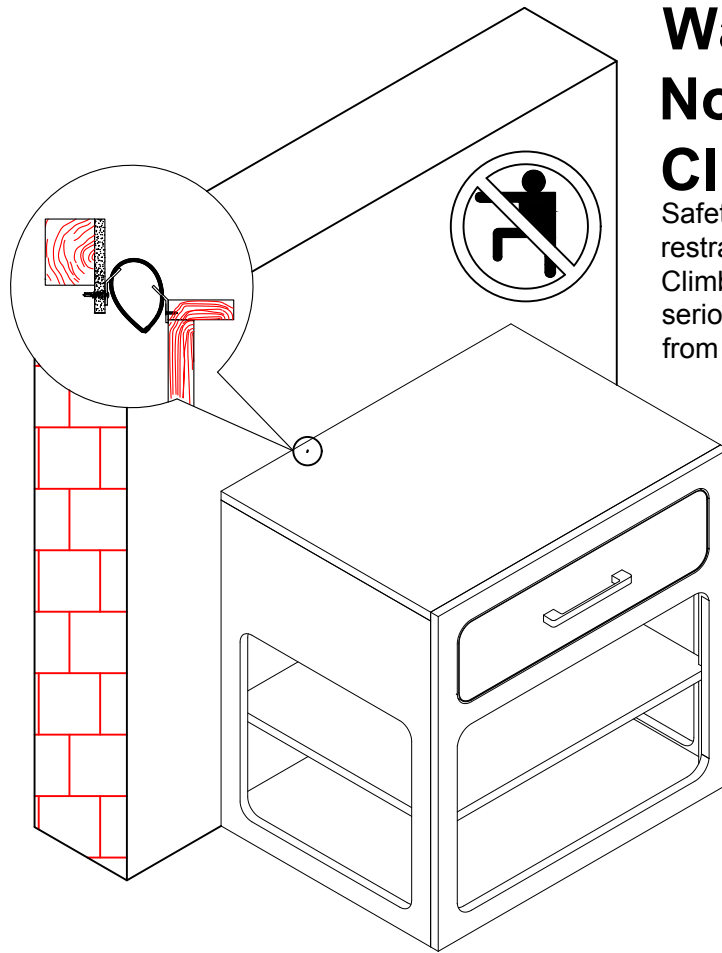
2 x 1 PC



Anti-Tip Bracket



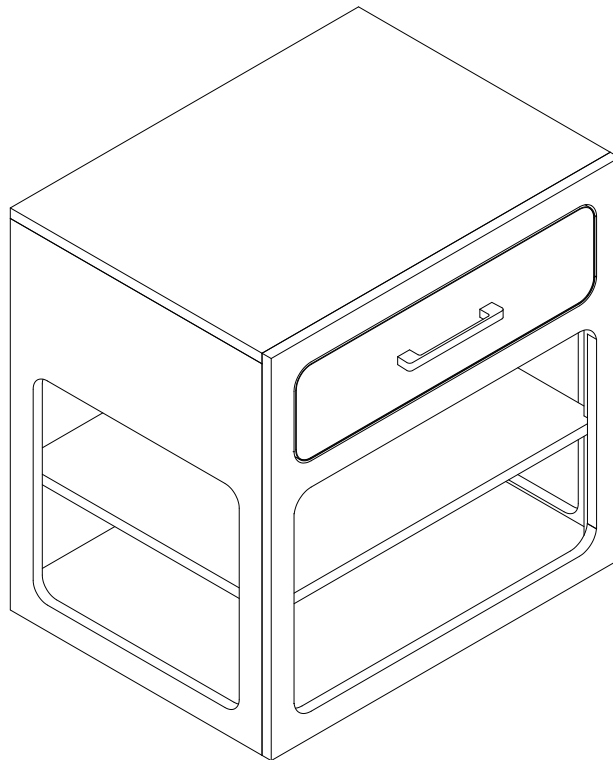
Install the anti-tip device by securing one end to the back of the cabinet and the other end to the wall stud to prevent tipping.



Warning: No Climbing

Safety notice: Always install tipover restraint provided.

Climbing on furniture may result in serious injury. Keep children away from shelves, cabinets and furniture.



Completed