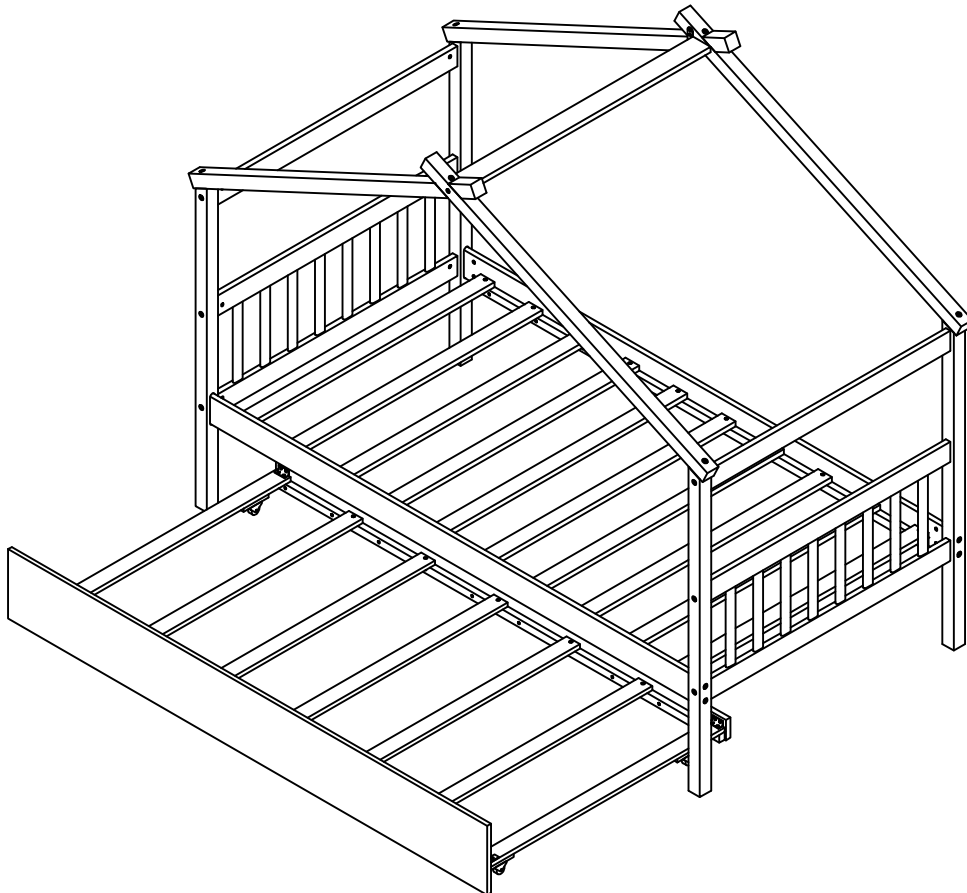
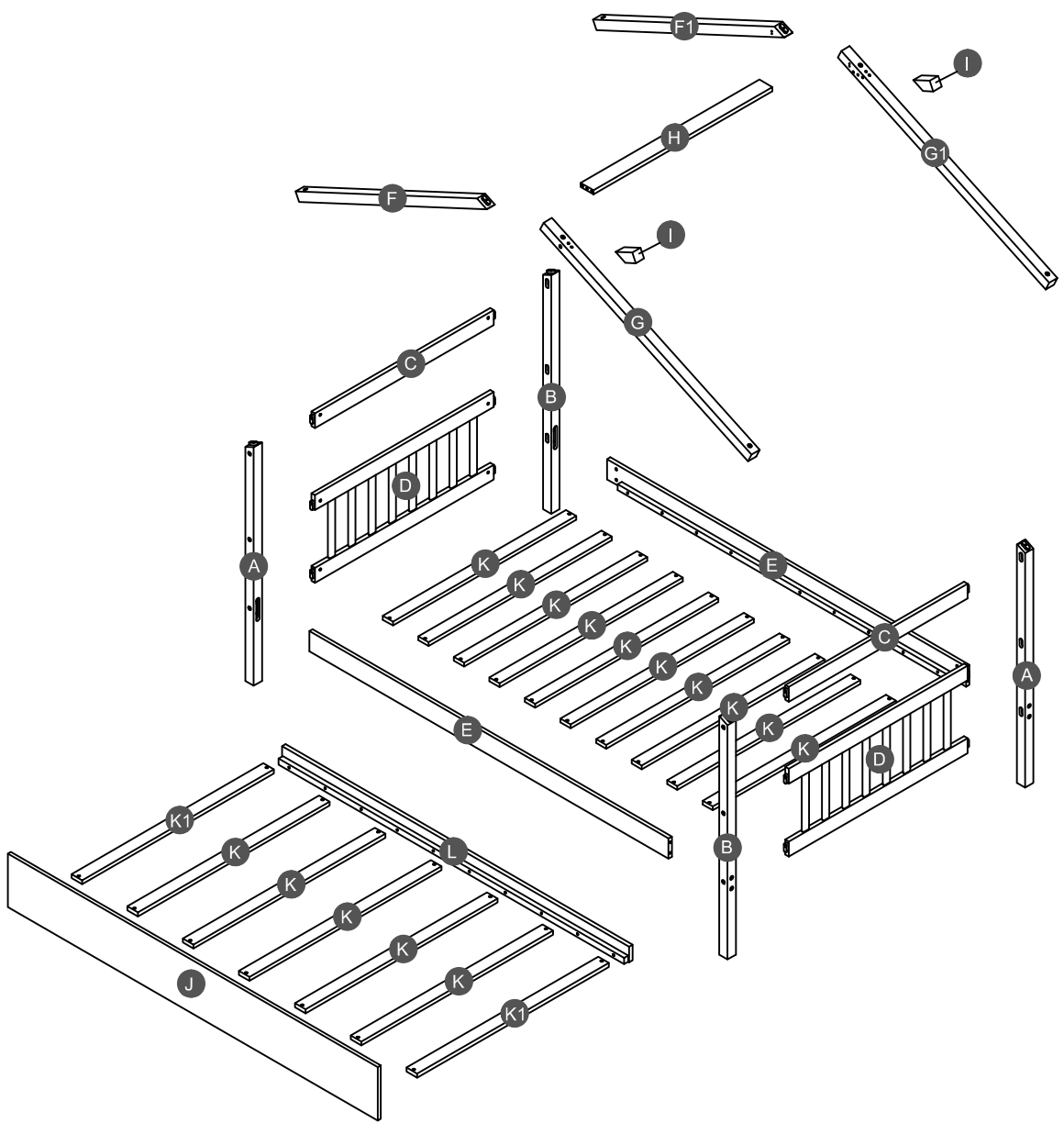


ASSEMBLY INSTRUCTIONS

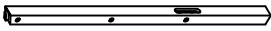
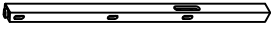
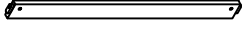
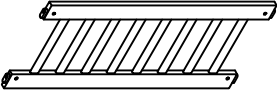

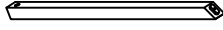
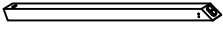
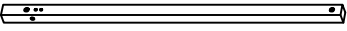
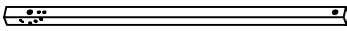
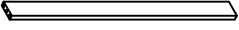

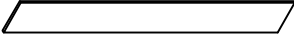
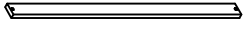
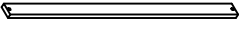

TWIN HOUSE BED WITH TRUNDLE



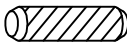
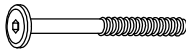
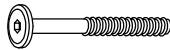



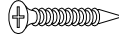

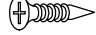
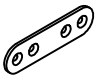
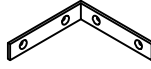

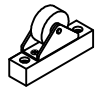
Detail View



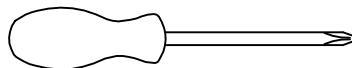
Part List

<p>A</p>  <p>Leg (Left Front/Right Back) - 2pcs</p>	<p>B</p>  <p>Leg (Left Back/Right Front) - 2pcs</p>	<p>C</p>  <p>Horizontal bar HB/FB - 2pcs</p>
<p>D</p>  <p>Frame HB/FB - 2pcs</p>	<p>E</p>  <p>Side rail - 2pcs</p>	<p>F</p>  <p>Upper (Left Front) - 1pc</p>
<p>F1</p>  <p>Upper (Left Back) - 1pc</p>	<p>G</p>  <p>Upper (Right Front) - 1pc</p>	<p>G1</p>  <p>Upper (Right Back) - 1pc</p>
<p>H</p>  <p>Upper horizontal bar - 1pc</p>	<p>I</p>  <p>Block - 2pcs</p>	<p>J</p>  <p>Front panel of Trundle - 1pc</p>
<p>K</p>  <p>Slats - 15pcs</p>	<p>K1</p>  <p>Slats - 2pcs</p>	<p>L</p>  <p>Back panel side rail of Trundle -1pc</p>

Hardware List

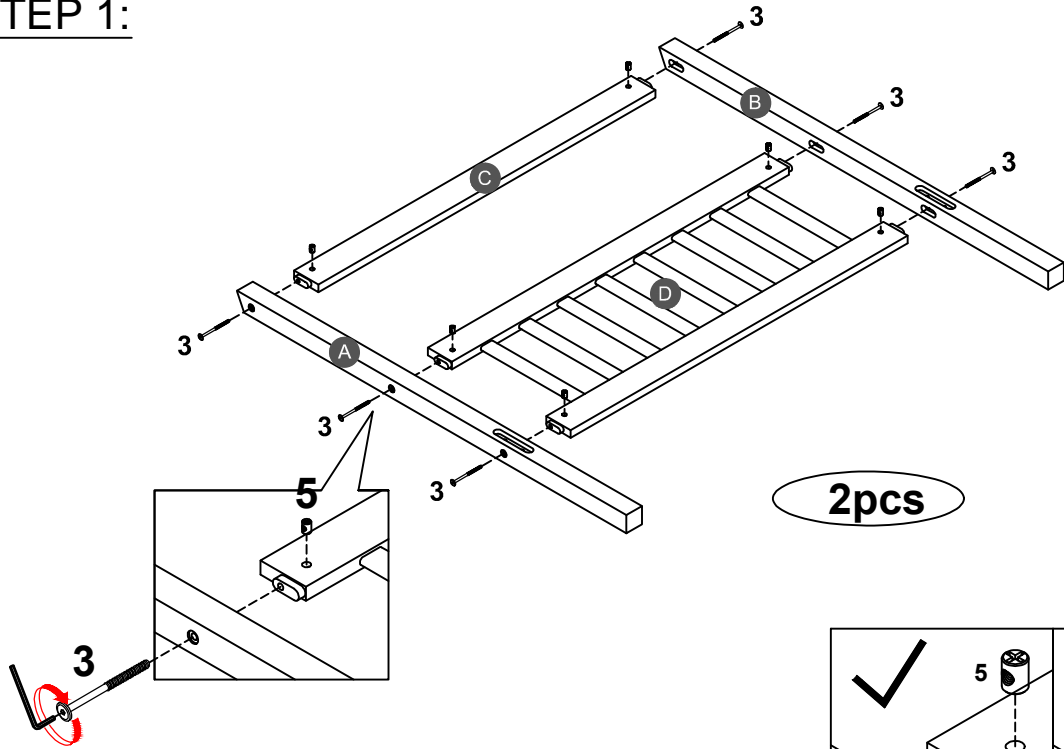
1  Ø8*30mm Wood dowel (6pcs)	2  (Ø15)1/4"*100mm Hex-Head bolts (8pcs)	3  (Ø15)1/4"*80mm Hex-Head bolts (14pcs)
4  (Ø12)1/4"*65mm Hex-Head bolts (8pcs)	5  1/4"*15 (9.5mm) Horizontal-Hole bolts(22pcs)	6  (1/4")4.5*58mm Allen key (1pc)
7  Ø4*30mm Wood screws (42pcs)	8  Ø3.5*19mm Wood screws (8pcs)	9  Ø3.5*15mm Wood screws (16pcs)
10  75*20*2 mm Metal bracket (2pcs)	11  95*95*18*3mm Metal bracket (2pcs)	12  40*18*18*2mm Metal bracket (2pcs)
13  100*63*20mm Wheels (4pcs)		

ASSEMBLY TOOLS REQUIRED (NOT INCLUDED)



PLEASE BE CAREFUL DO NOT DAMAGE THE HOLE POSITION WHEN YOU USE POWER TOOLS !

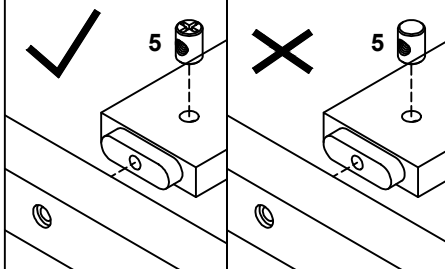
STEP 1:



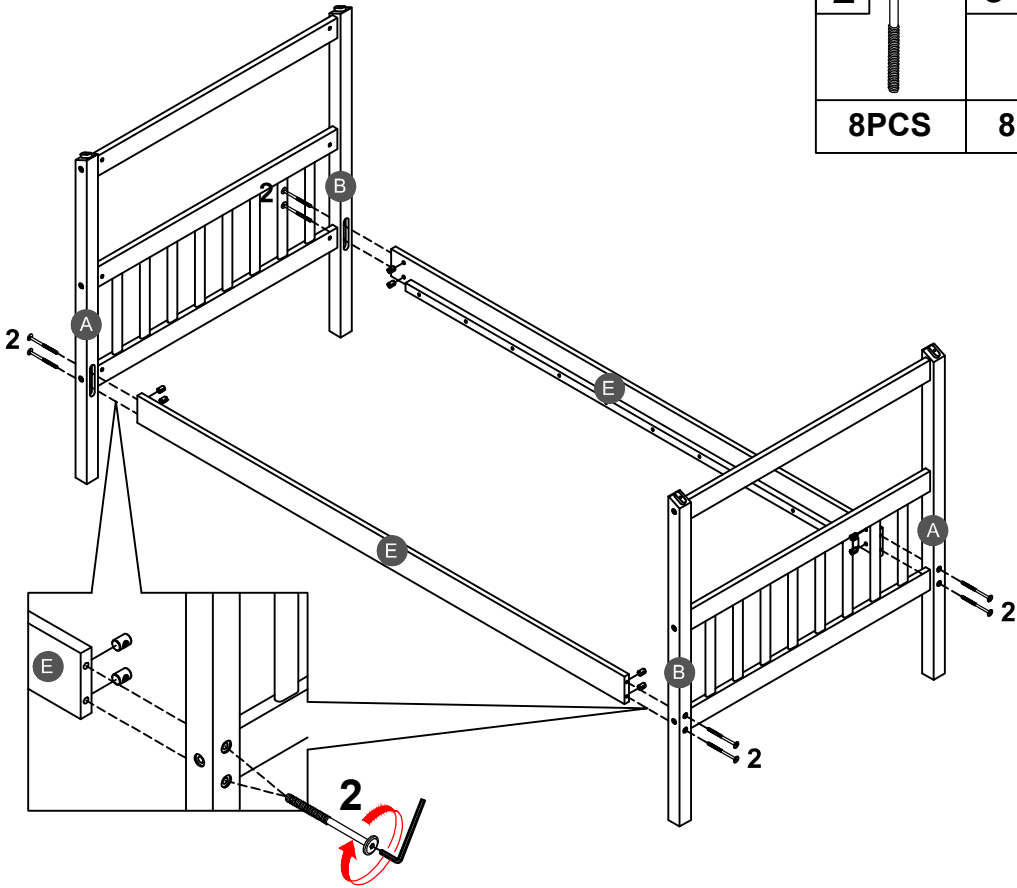
3	
12PCS	
5	
12PCS	

2pcs

Note: Part 5 will face up with the "x" mark on it, otherwise it cannot be tightened

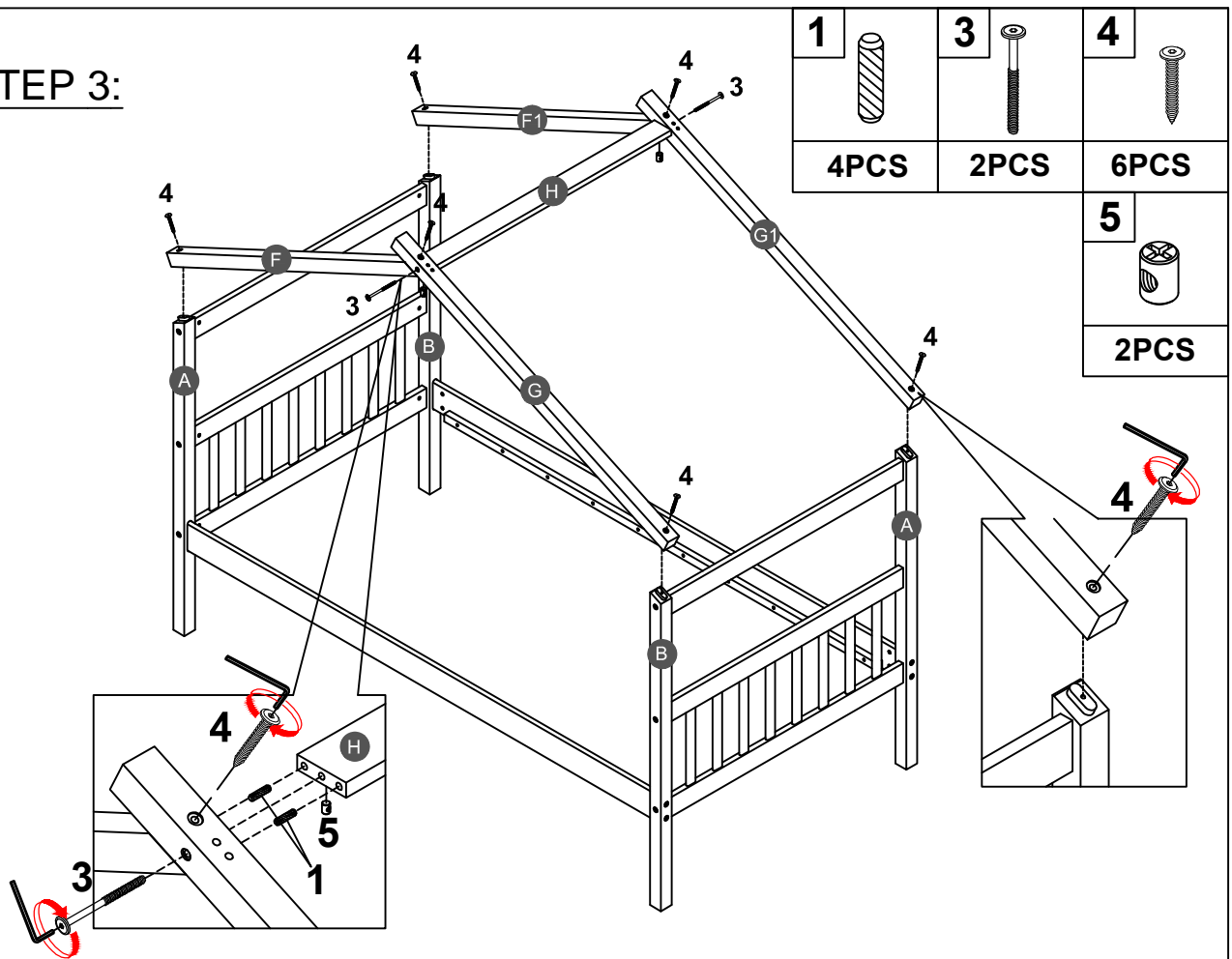


STEP 2:

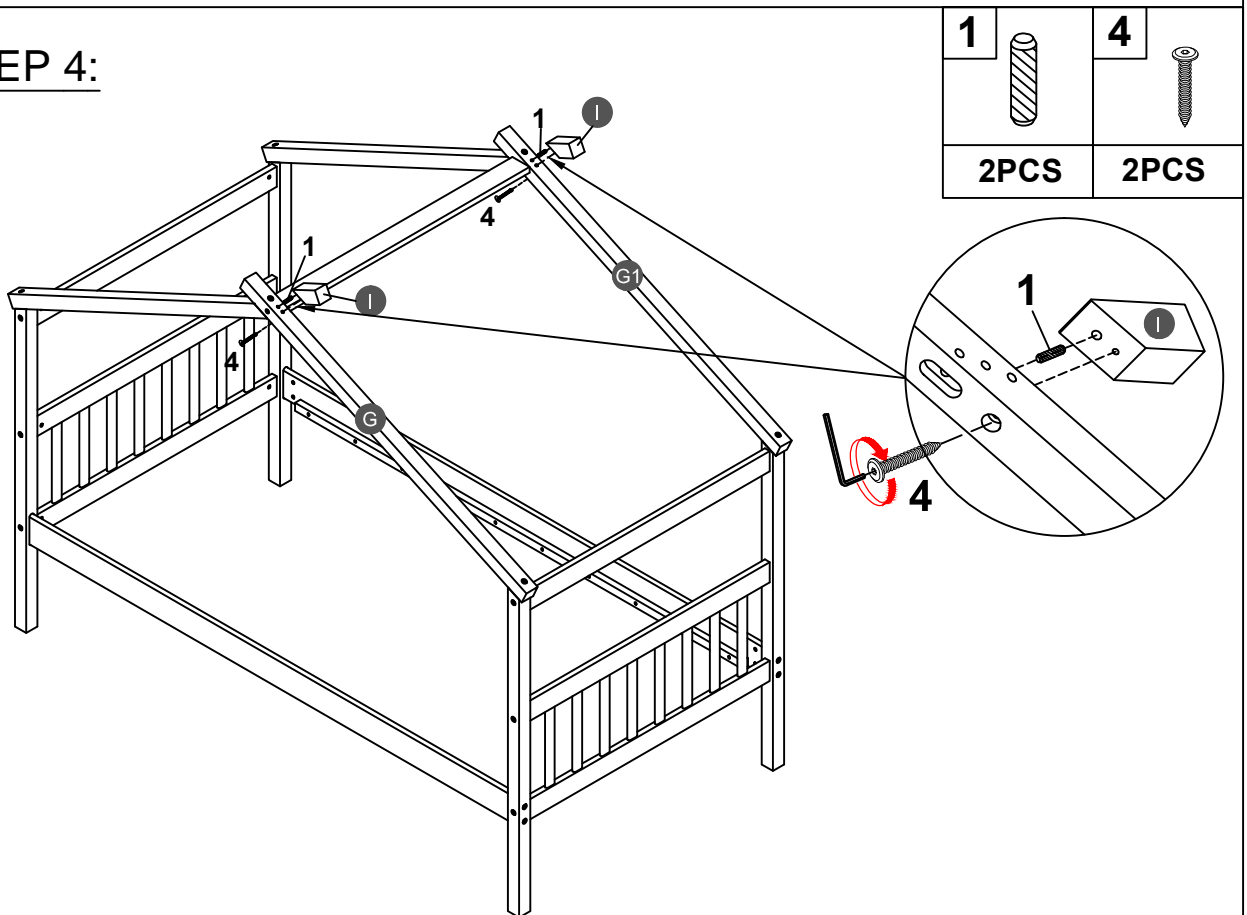


2		5	
8PCS		8PCS	


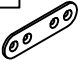
STEP 3:

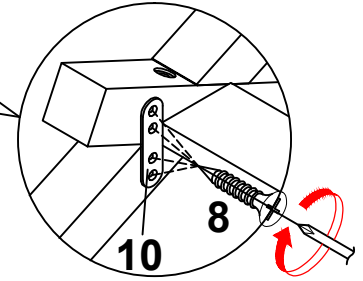
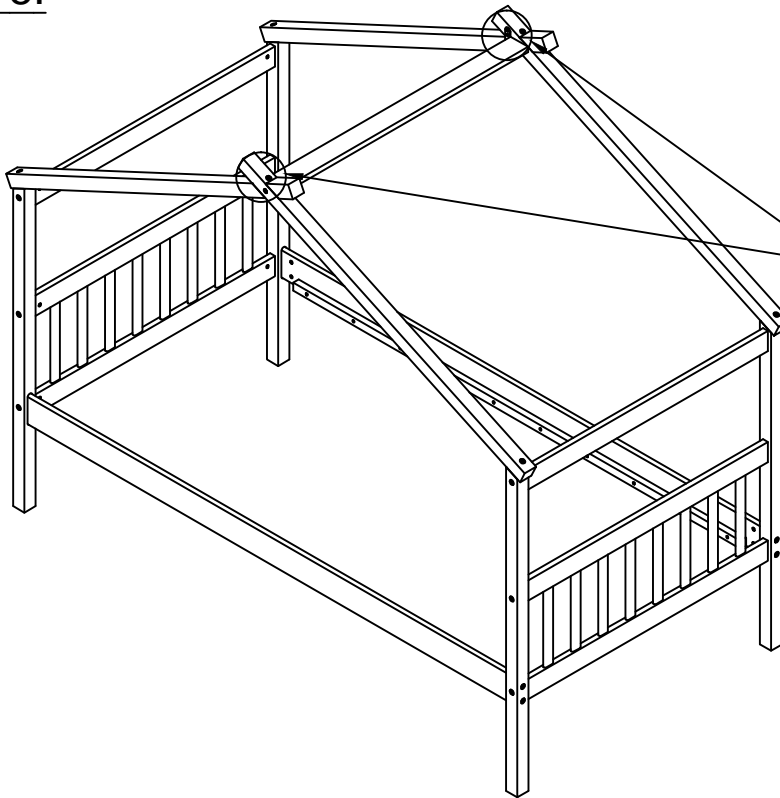


STEP 4:




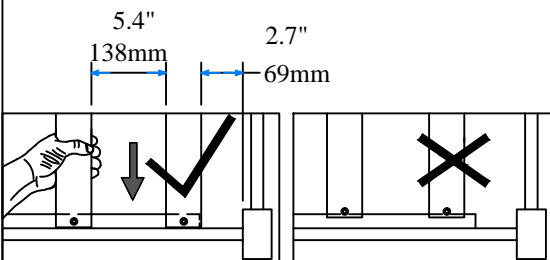
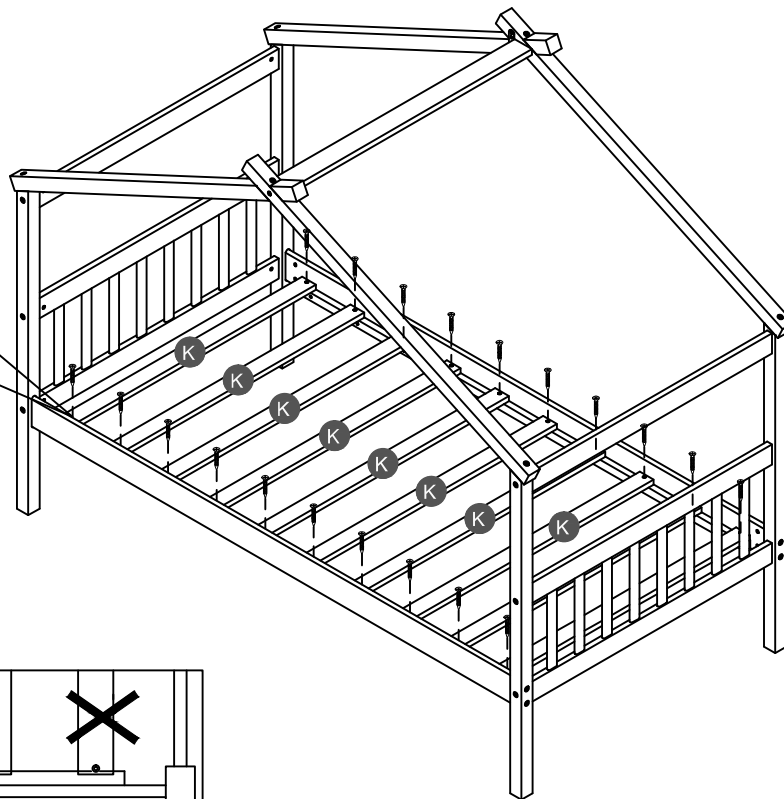
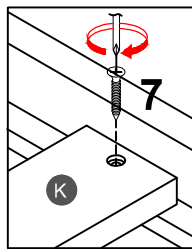
STEP 5:

8		10	
8PCS		2PCS	




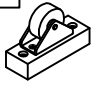
STEP 6:

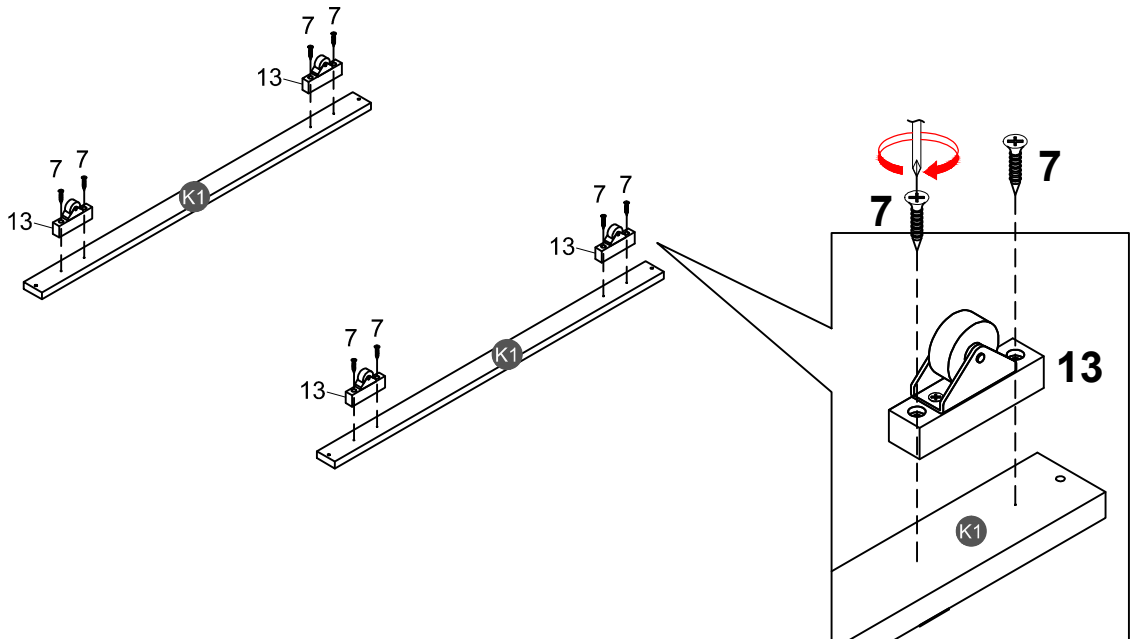
7	
20PCS	




Note: Do not lock the screws of the bed slats to the outermost edge of the bed slats, you need to leave a certain space at the edges, otherwise it will cause the board to break. Do not lock the bed slats on the edge of the wood, please hold firmly before screwing , hold it in place with one hand, then lock the screw.

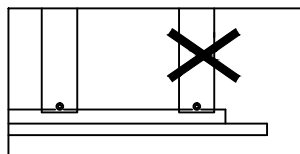
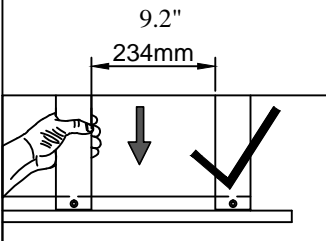
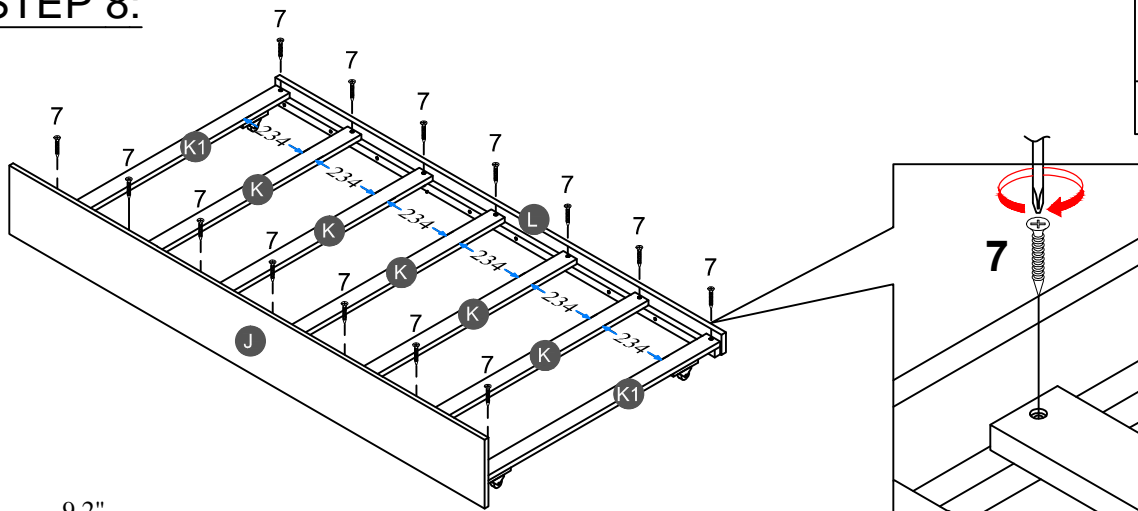
STEP 7:

7		13	
8PCS		4PCS	





STEP 8:

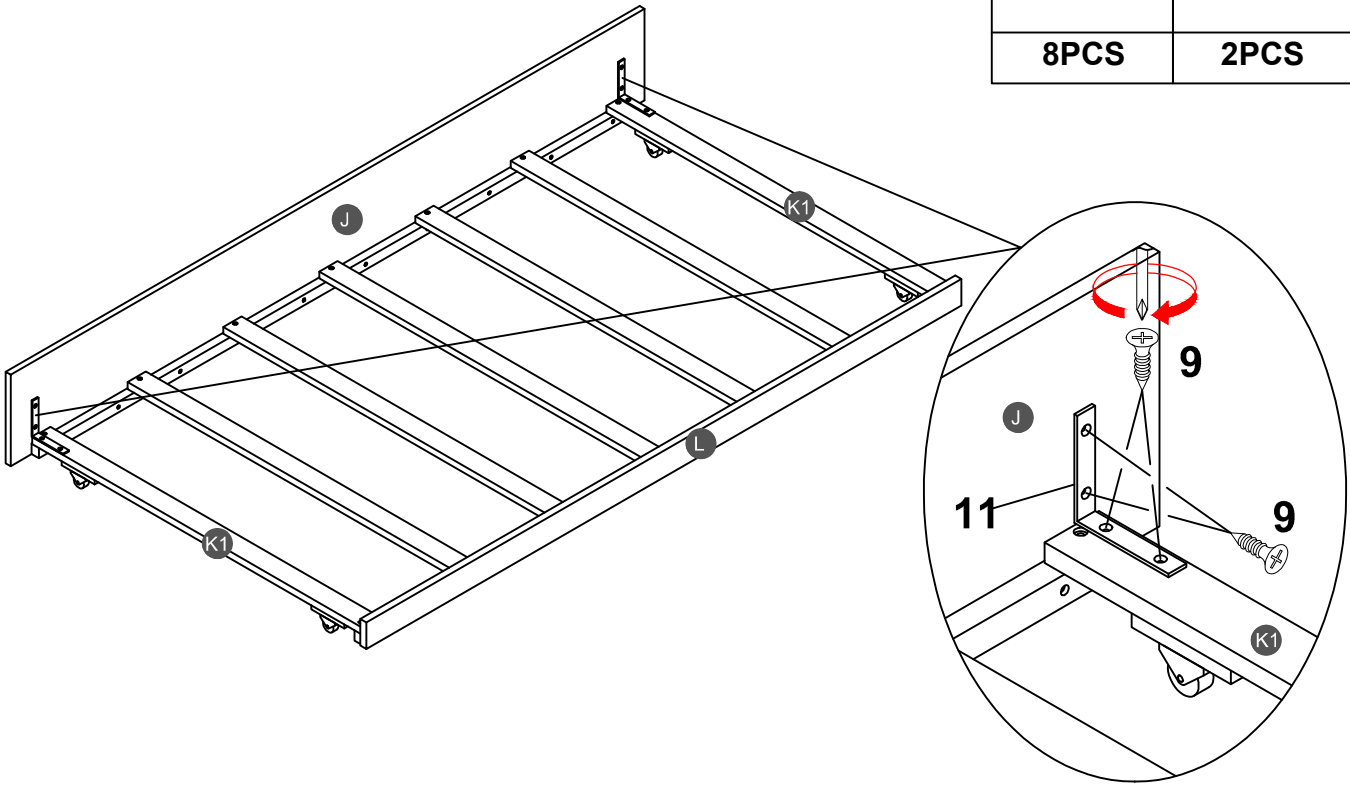
7	
14PCS	




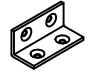
Note: Do not lock the screws of the bed slats to the outermost edge of the bed slats, you need to leave a certain space at the edges, otherwise it will cause the board to break.
Do not lock the bed slats on the edge of the wood, please hold firmly before screwing, hold it in place with one hand, then lock the screw.

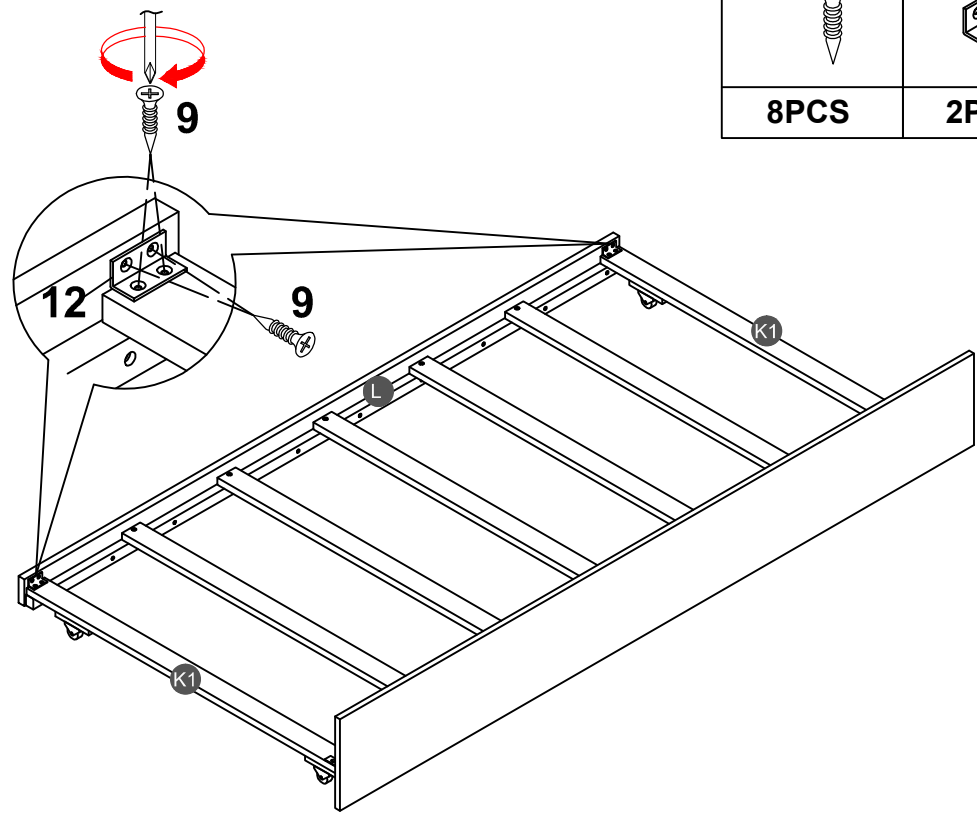
STEP 9:

9		11	
8PCS		2PCS	

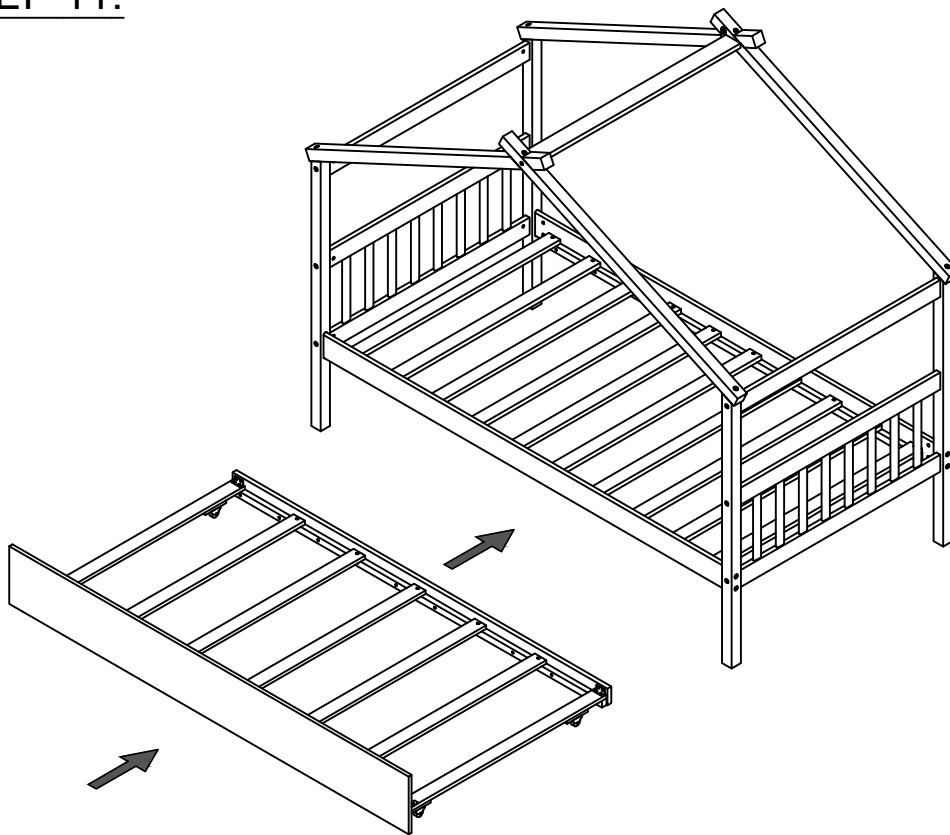


STEP 10:

9		12	
8PCS		2PCS	



STEP 11:



Push Trundle and Drawer under the bottom of Bunkbed.

