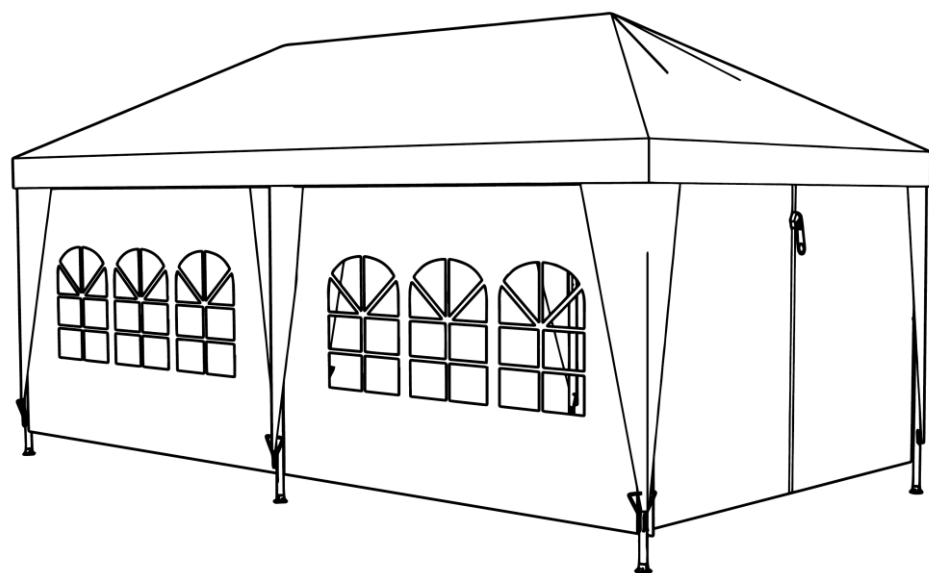


Tent & Sidewalls User Manual



Specifications

Overall Dimensions (L x W)	10 ft x 20 ft
Net Weight	19.8 Lbs (9 kg)

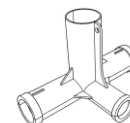
Safety Instructions

1. Ensure that all parts of the product are well-connected before use.
2. It is recommended that at least 2 people assemble the product.
3. Check the connections of pipes before use.
4. Do not use your tent if any part of tent material is cracked, ripped, or broken.
5. To avoid risk of fire, electric shock or damage, do not expose the product and items within to moisture, fire, heating source or direct sunlight.
6. Children should not be around when installing the tent in case of danger.
7. When use the product outdoors, use stakes to secure the product. Utilize the product in muddy or grass ground.
8. Never use the product in wind of speed of over 5mp.
9. Always remove hooks from holes when wind is strong and put away the tent in case of breaking of tent legs.

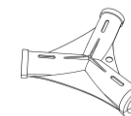
Package Contents



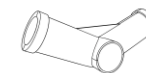
A Type Joint x 4



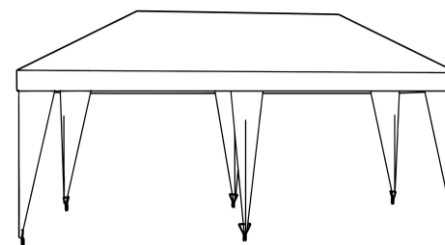
B Type Joint x 2



C Type Joint x 2



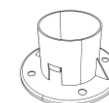
D Type Joint x 1



Canopy x 1



Drawstring x 6



E Type Joint x 6



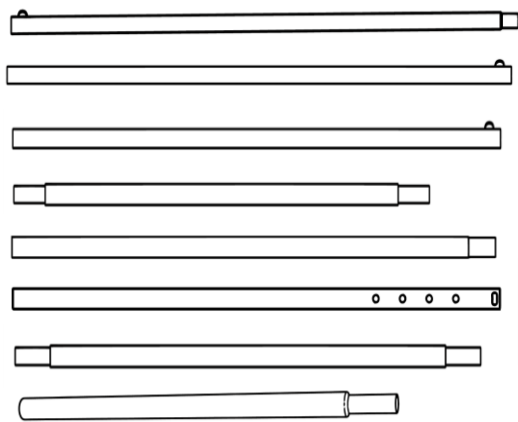
Stake x 12



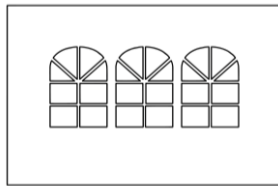
A Type Connector x 12



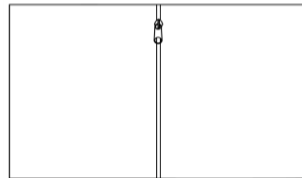
B Type Connector x 8



Pipe (1) x 4
 Pipe (2) x 8
 Pipe (3) x 12
 Pipe (4) x 6
 Pipe (5) x 6
 Pipe (6) x 6
 Pipe (7) x 1
 Pipe (8) x 2

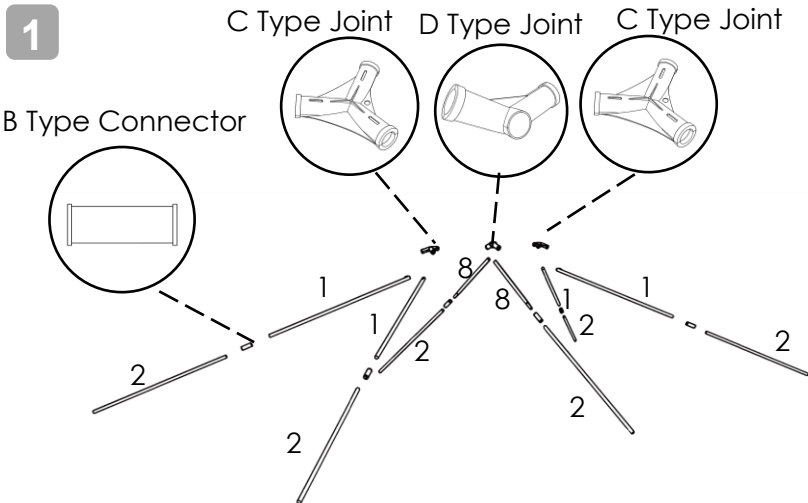


Sidewall with Windows x 4

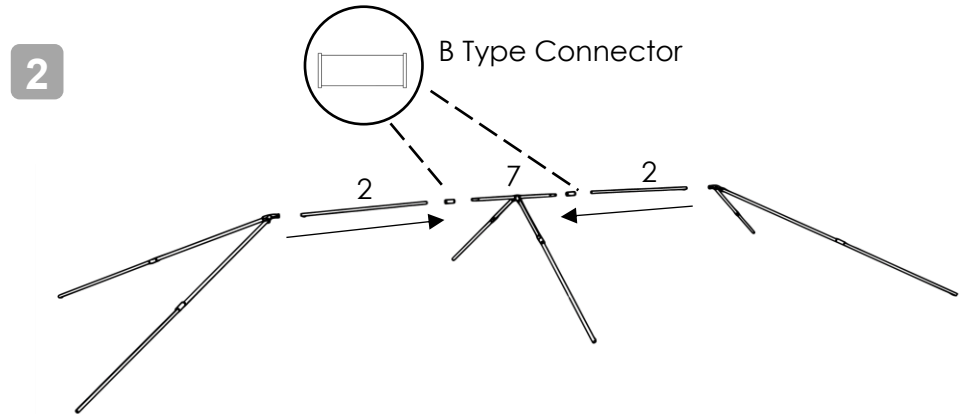


Sidewall with Zipper x 2

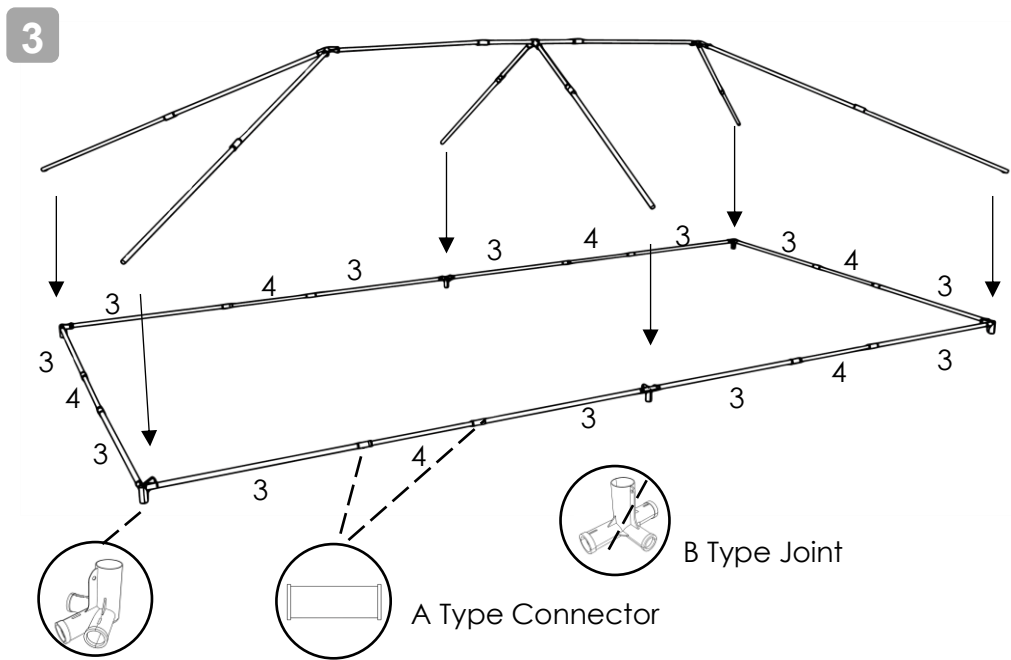
Operation Instructions



Connect 4 pipes (1), 4 pipes (2) and 4 B type connectors to 2 C type joints.
 Connect 2 pipes (2), 2 pipes (8) and 2 B type connectors to D type joint.



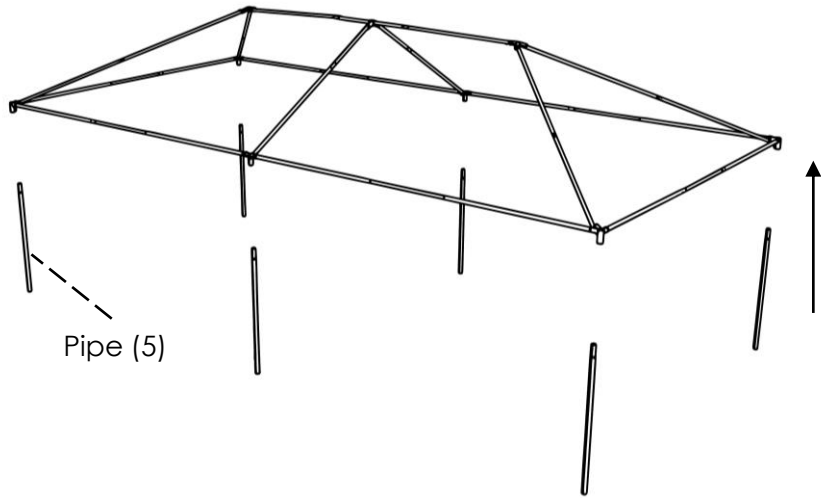
Install 1 pipe (7), 2 pipes (2) and 2 B type connectors onto frame top.



A Type Joint

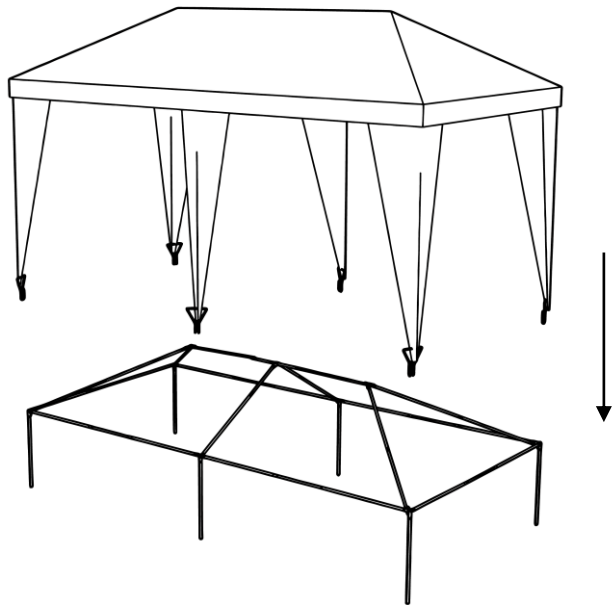
Install the frame bottom by connecting pipes (3), pipes (4), 4 A type Joints, 2 B type joints and 12 A type connectors altogether as shown. After that, install frame top onto the frame bottom.

4



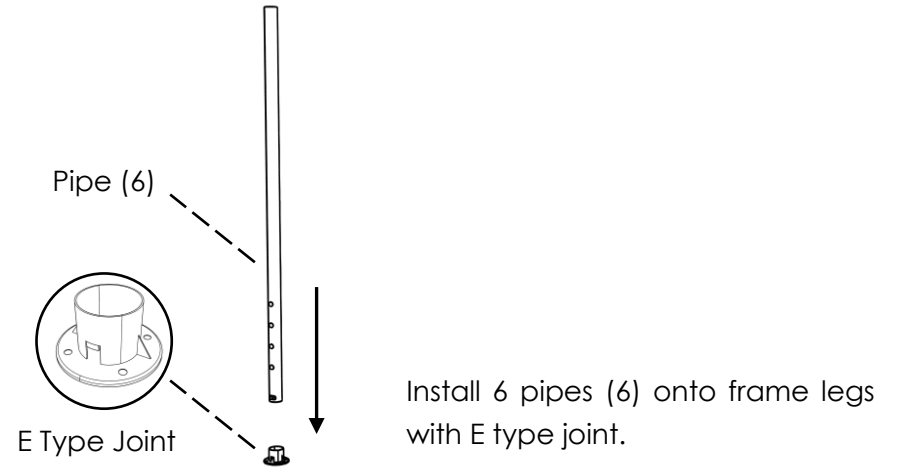
Install 6 pipes (5) to the frame.

5



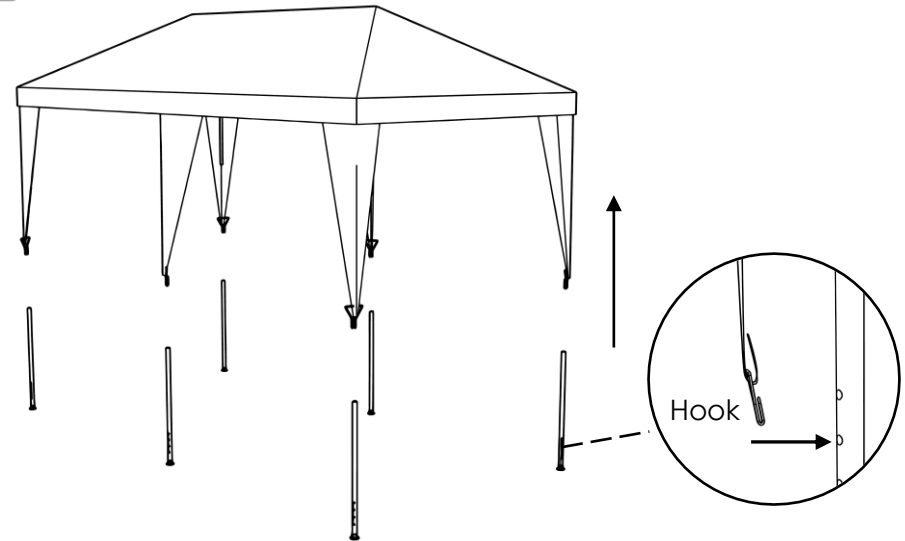
Install the canopy onto the frame.

6



Install 6 pipes (6) onto frame legs with E type joint.

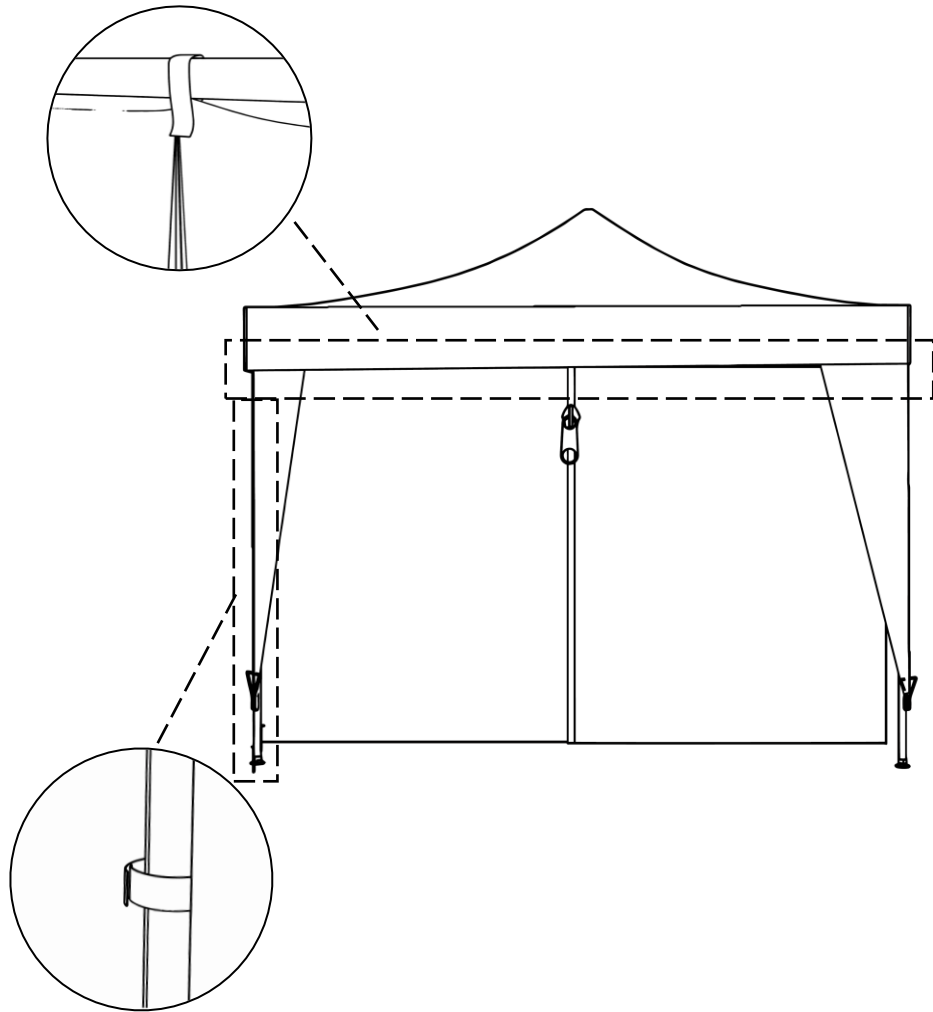
7



Install legs to the frame. Then hang hooks on the canopy into the proper holes on the pipes (6) according to the actual situation to secure.

Note: Always close your tent after use and put it away. Do not leave it outdoors for overnight in case that it is blown away or torn apart by wind.

8

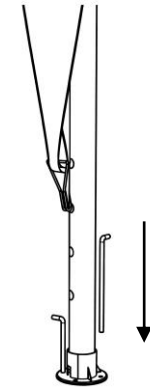


Secure 2 sidewalls with zipper to the canopy by attaching fasteners on crossbars and legs. Then continue to secure other 4 sidewalls with windows with the same method mentioned above.

9

There are 2 ways to secure the tent on the ground. Please feel free to choose your desired one.

1. Insert stakes into E type joints on 6 legs to secure.



2. Tie drawstrings to the poles first. Utilize the rings on the tent to connect drawstrings to secure the tent on the ground with stakes.

Please always secure the tent on the ground with stakes when in use.