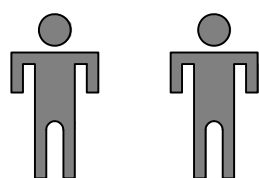
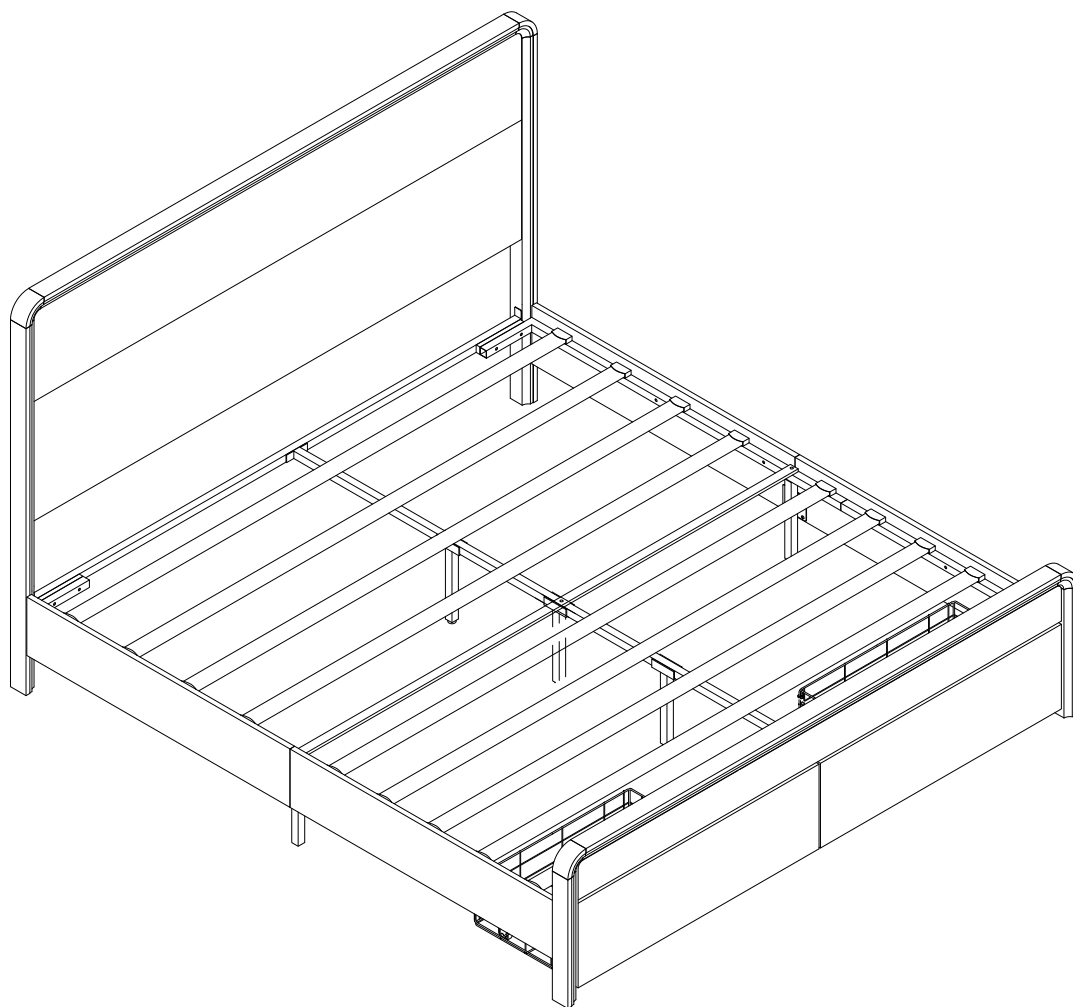
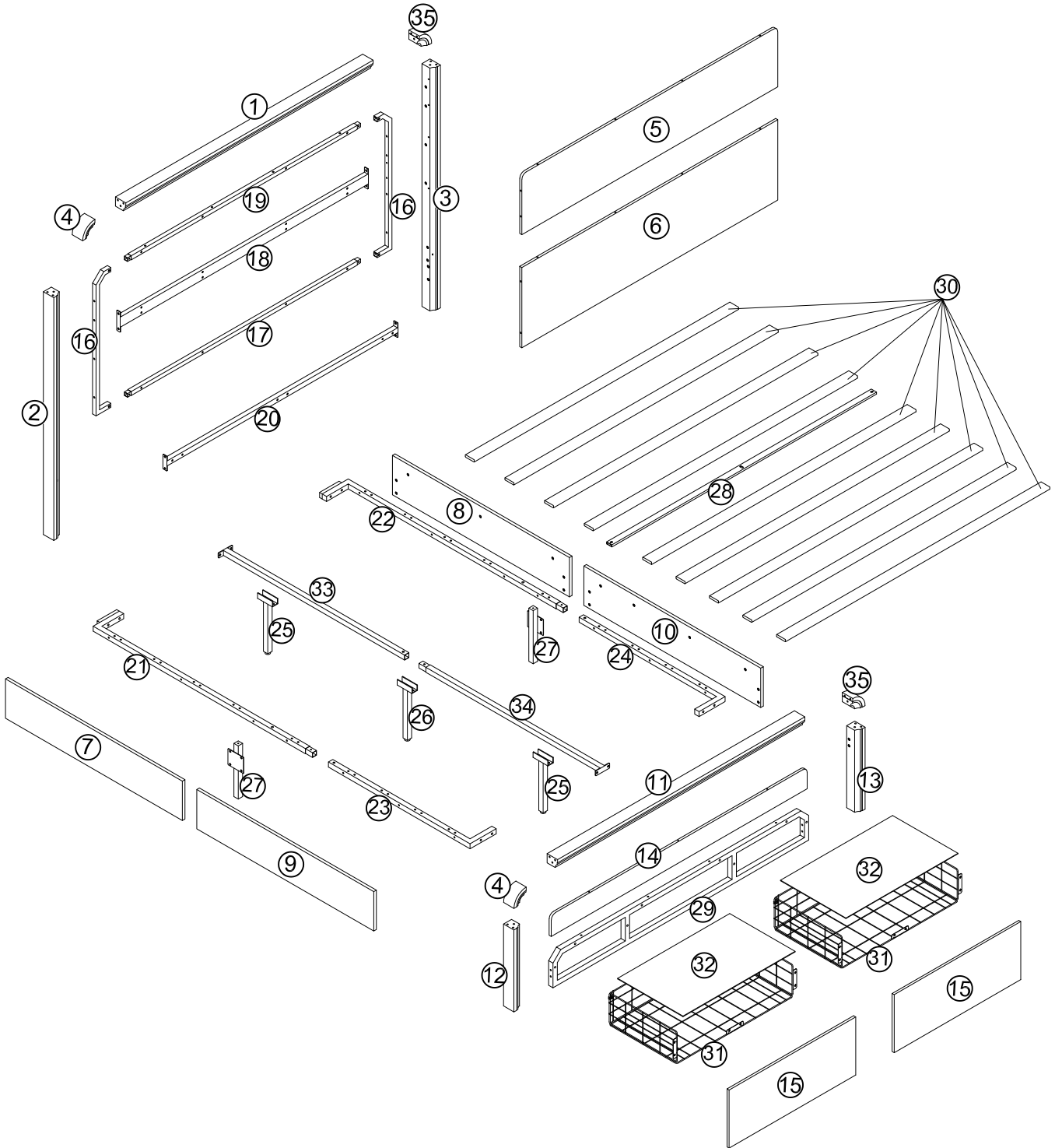


ASSEMBLY INSTRUCTIONS



2 people for assembly

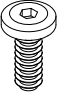
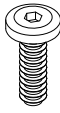
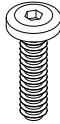
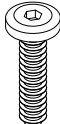
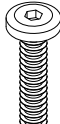


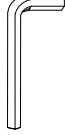
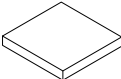
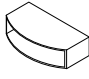
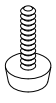
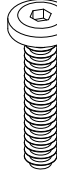


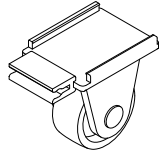
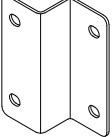
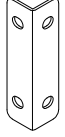
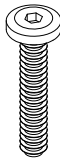
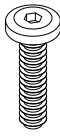
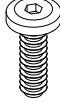
Parts List



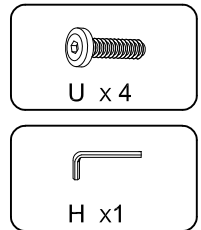
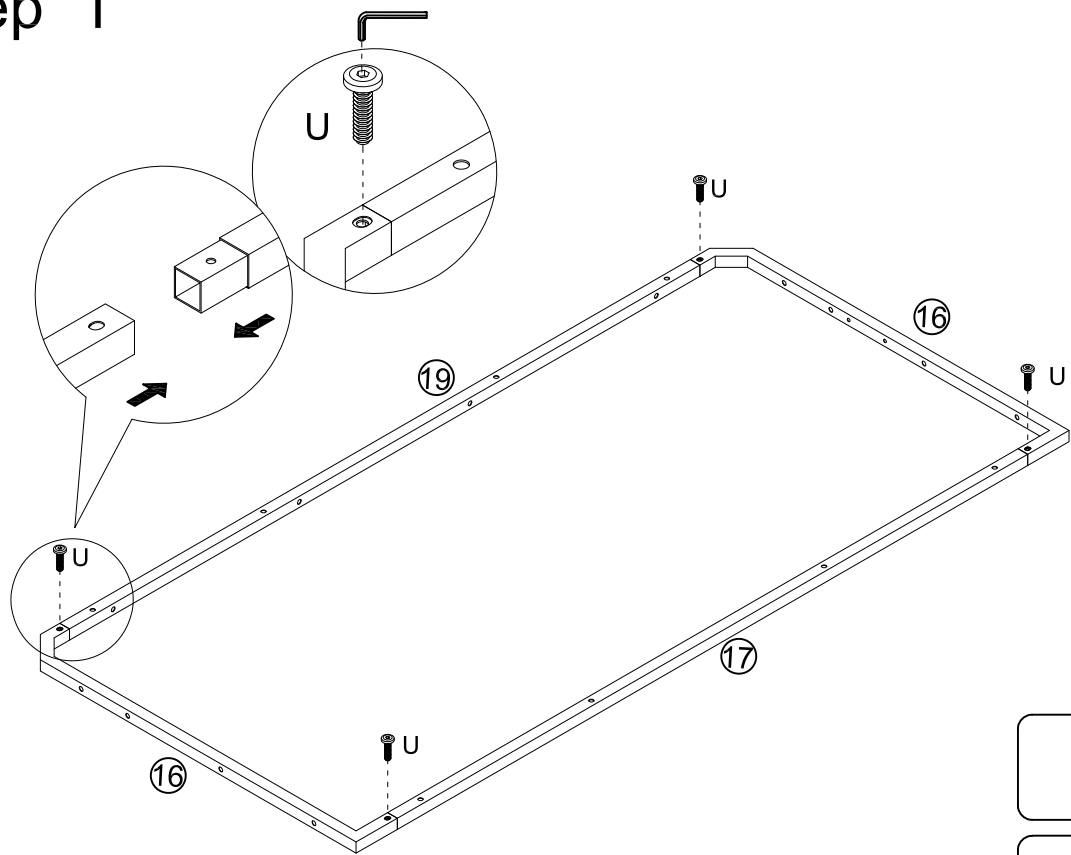
PACKAGE INCLUDE

CODE	DESCRIPTION	QTY
1	Top strip of the bed	1
2	The left column of the headboard	1
3	The column on the right side of the bed	1
4	Left arc elbow	2
5	Headboard	1
6	Lower board of the head	1
7	Left front bed side	1
8	On the right front bed side	1
9	On the left side of the rear bed	1
10	On the right rear side of the bed	1
11	Top strip at the end of the bed	1
12	The left pillar at the end of the bed	1
13	The right pillar at the end of the bed	1
14	A board is attached to the end of the bed	1
15	Pull the panel	2
16	The left and right side frames inside the headboard	2
17	The inner frame of the headboard is horizontal at the bottom	1
18	The inner frame of the headboard is horizontal	1
19	Headboard inner frame pull rod	1
20	Headboard pull bar	1
21	The front iron bar on the left side of the bed	1
22	Front iron bar on the right side of the bed	1
23	Front iron bar on the right side of the bed	1
24	The iron bar behind the right side of the bed	1
25	Middle iron foot	4
26	Draw the connecting pin plate	1
27	Middle foot on the side of the bed	2
28	Middle crossbar	1
29	The inner frame at the end of the bed	1
30	Bed bar	9
31	Iron sucker	2
32	Pull the base plate	2
33	Bed pull rod 1	1
34	Bed pull rod 2	1
35	Right arc-shaped elbow	2

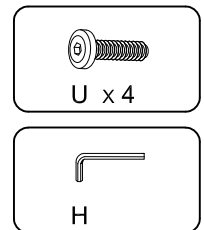
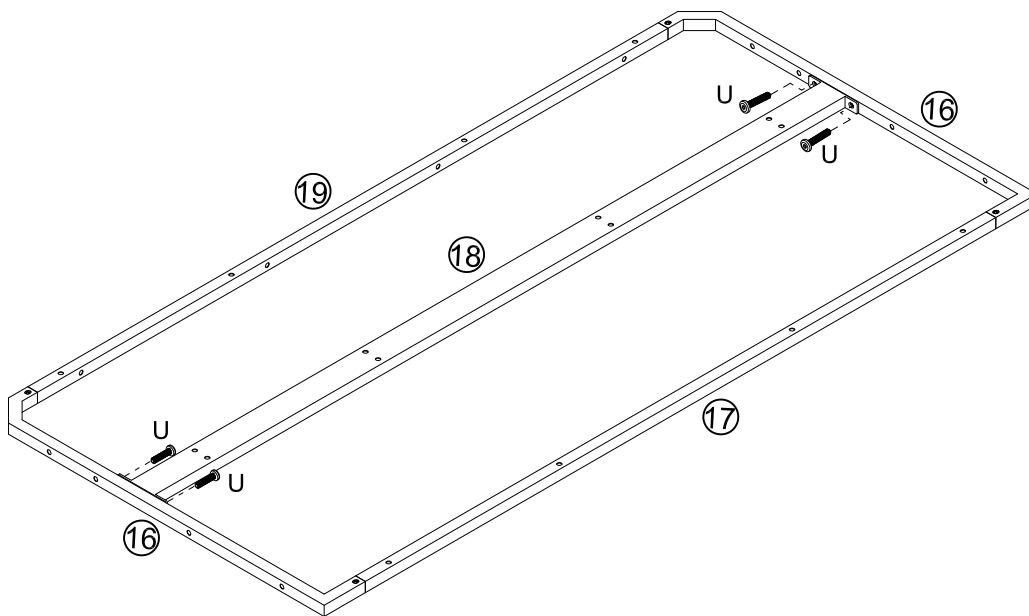
Hardware List

<p>A</p>  <p>M6 x 9mm</p> <p>12+2x</p>	<p>B</p>  <p>M6 x 12mm</p> <p>16+2x</p>	<p>C</p>  <p>M6 x 28mm</p> <p>16+2x</p>	<p>D</p>  <p>M6 x 33mm</p> <p>8+2x</p>	<p>E</p>  <p>M6 x 55mm</p> <p>7x</p>
<p>F</p>  <p>Ø8 x 40mm</p> <p>24+2x</p>	<p>G</p>  <p>Ø6 x 30mm</p> <p>19+2x</p>	<p>H</p>  <p>M4</p> <p>1x</p>	<p>J</p>  <p>42x42x2mm</p> <p>4x</p>	<p>K</p>  <p>18+1x</p>
<p>L</p>  <p>M6 x 25mm</p> <p>2x</p>	<p>M</p>  <p>M8 x 80mm</p> <p>2x</p>	<p>N</p>  <p>2x</p>	<p>O</p>  <p>M5</p> <p>1x</p>	<p>P</p>  <p>8x</p>
<p>Q</p>  <p>2x</p>	<p>R</p>  <p>2x</p>	<p>S</p>  <p>M6 x 40mm</p> <p>12+2x</p>	<p>T</p>  <p>M6 x 35mm</p> <p>26+2x</p>	<p>U</p>  <p>M6 x 16mm</p> <p>30+2x</p>

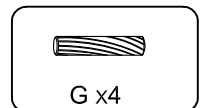
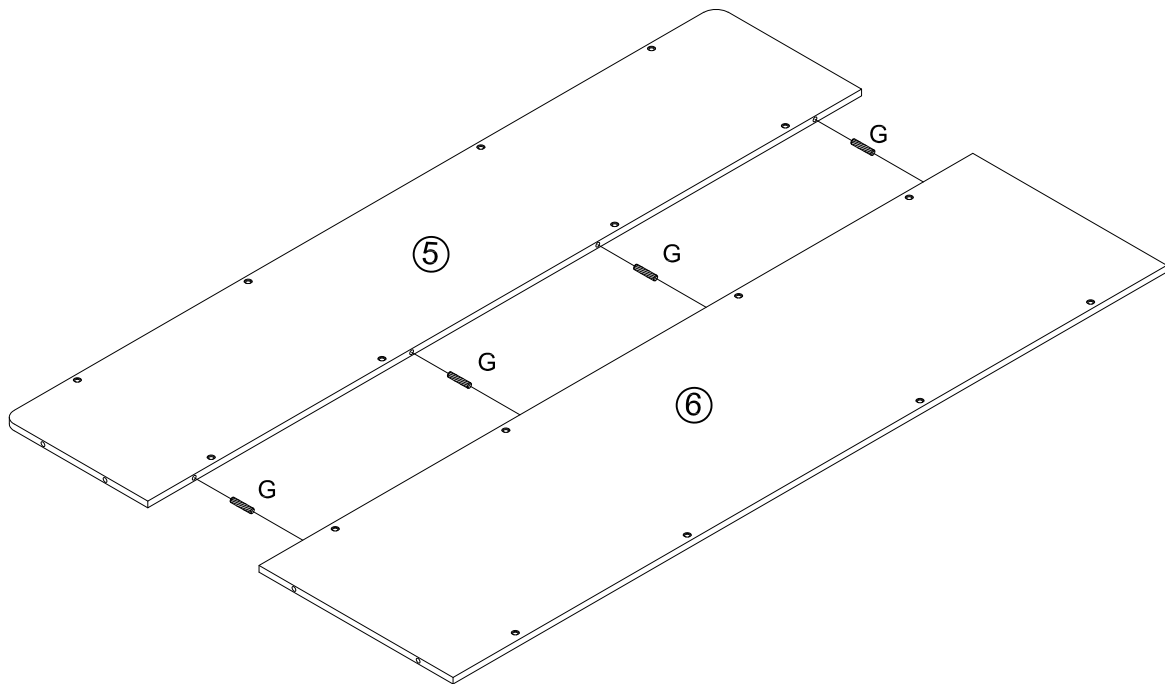
Step 1



Step 2

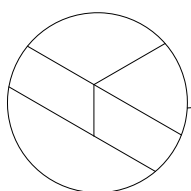
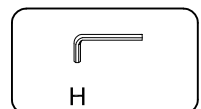
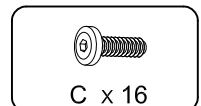
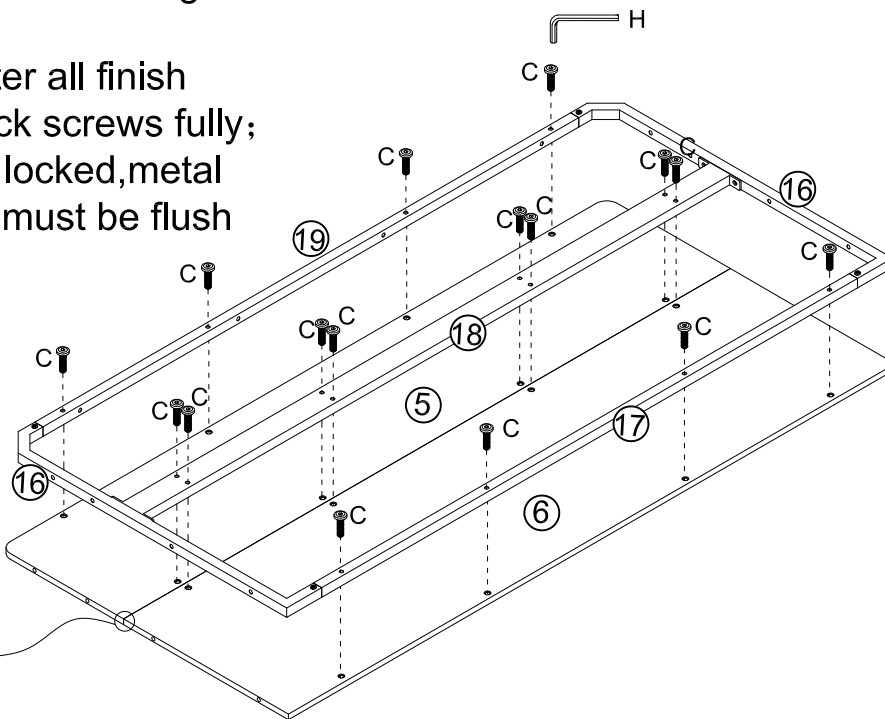


Step 3

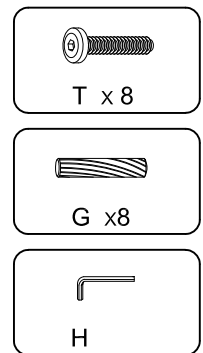
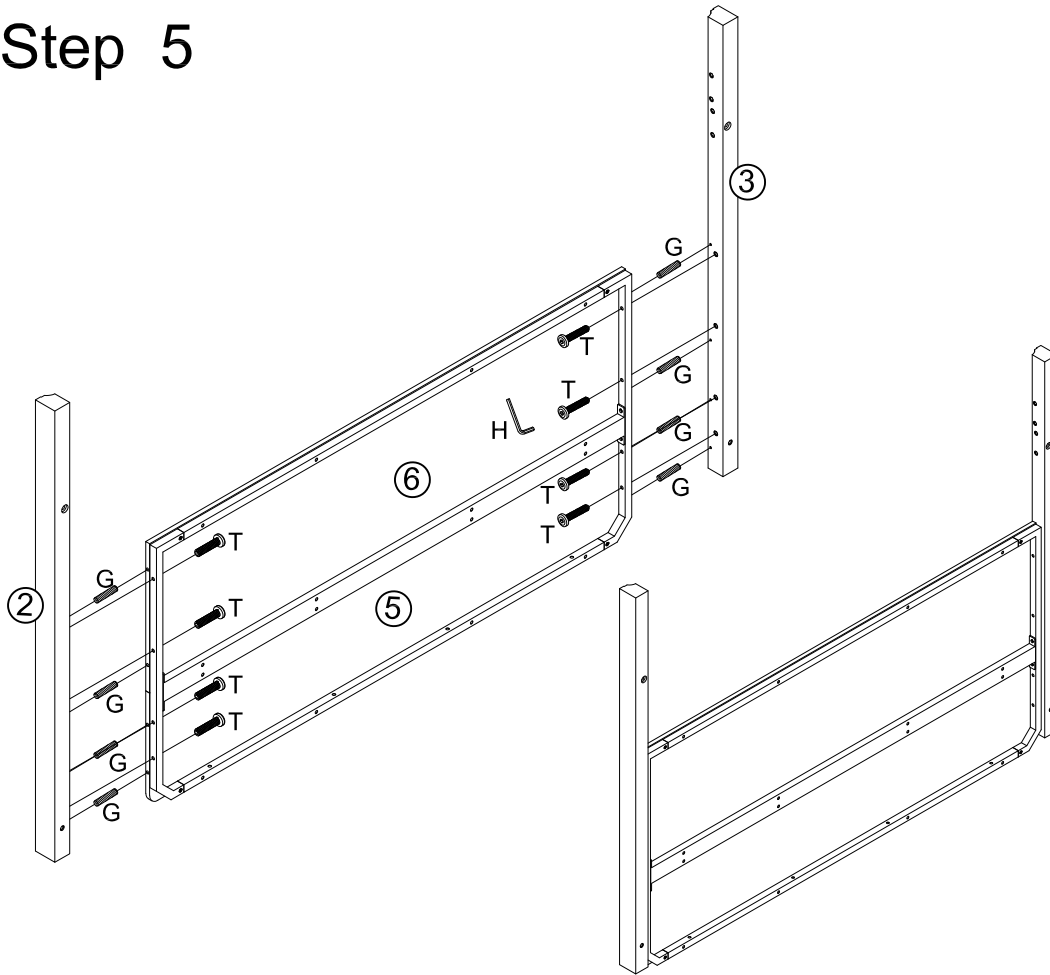


Step 4

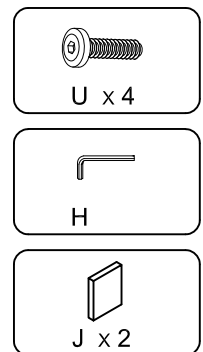
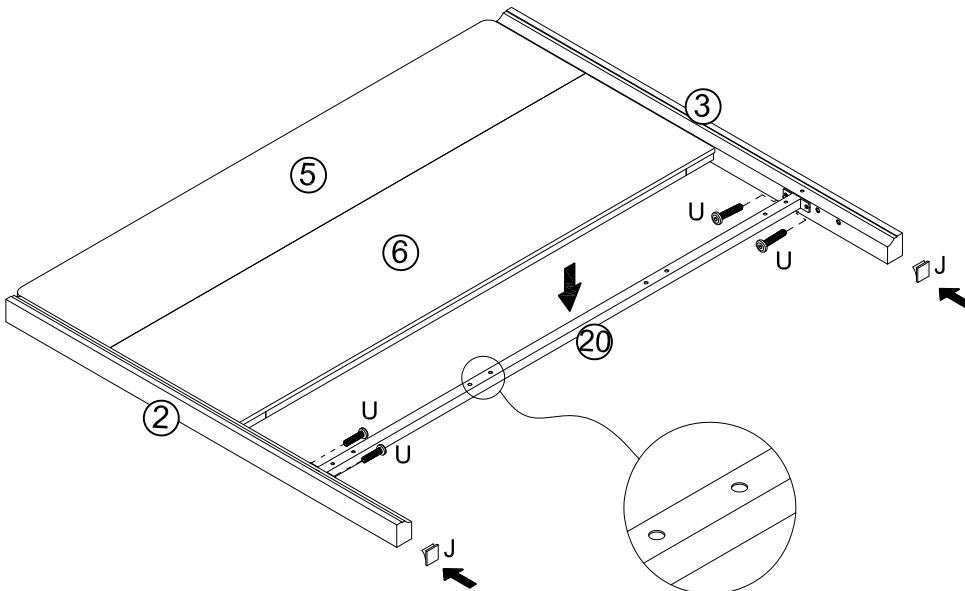
First ,all screws are tighten
70% ;
Second,after all finish
, 100% lock screws fully;
Third,after locked,metal
and board must be flush



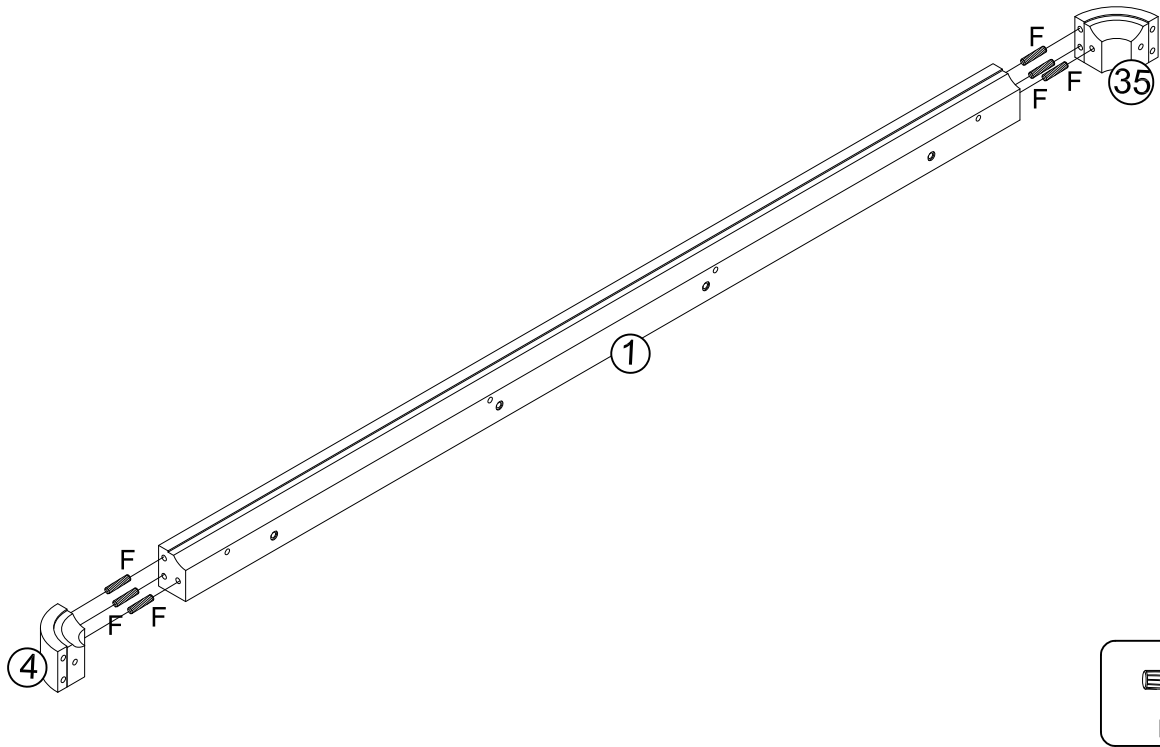
Step 5



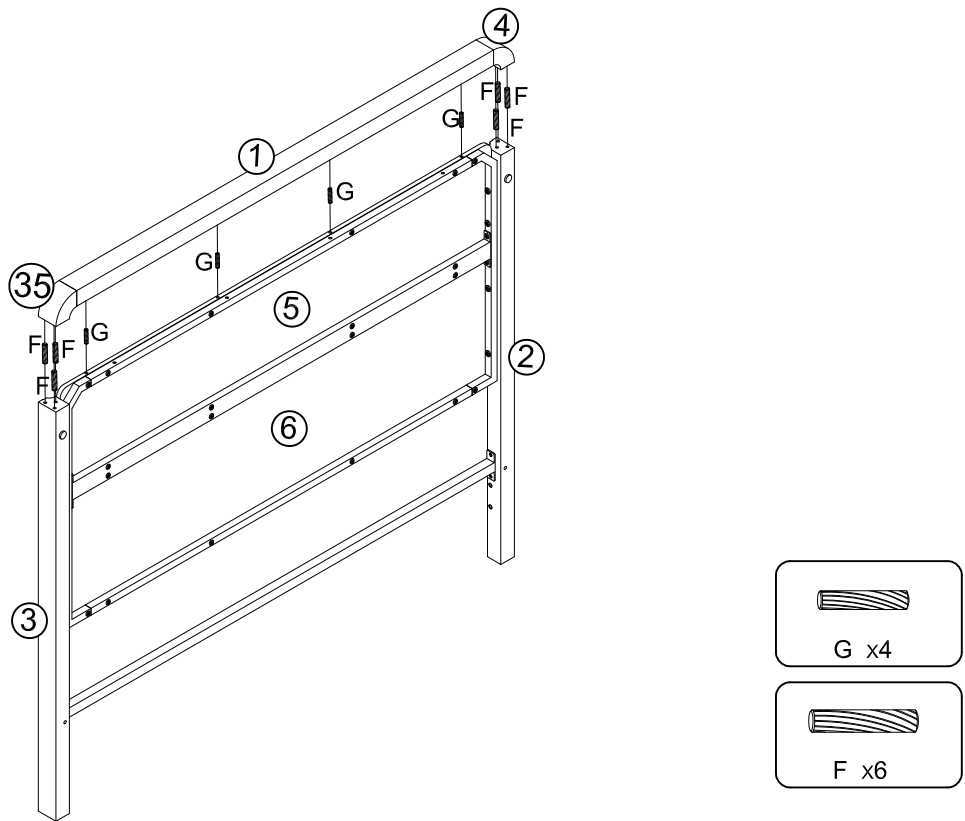
Step 6



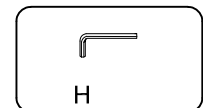
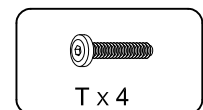
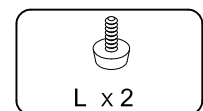
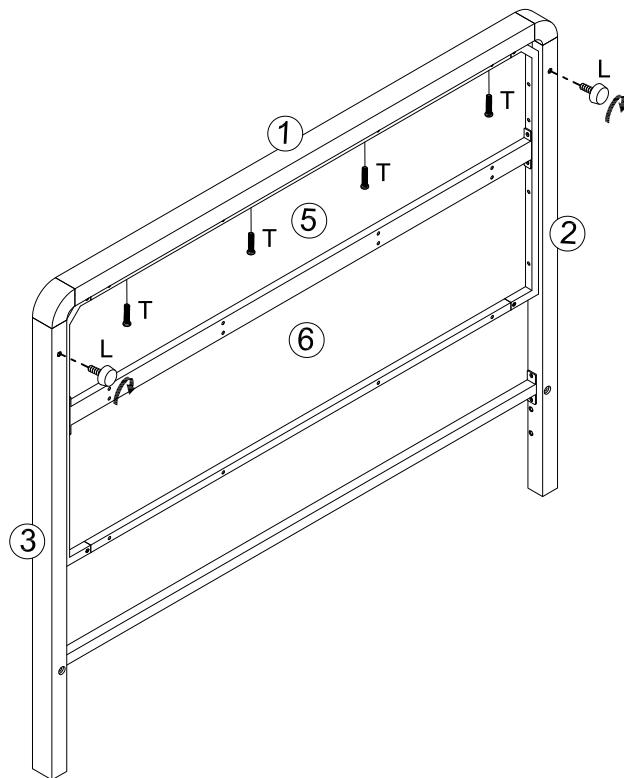
Step 7



Step 8



Step 9



Step 10

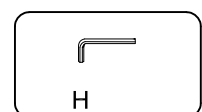
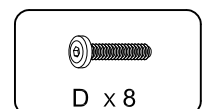
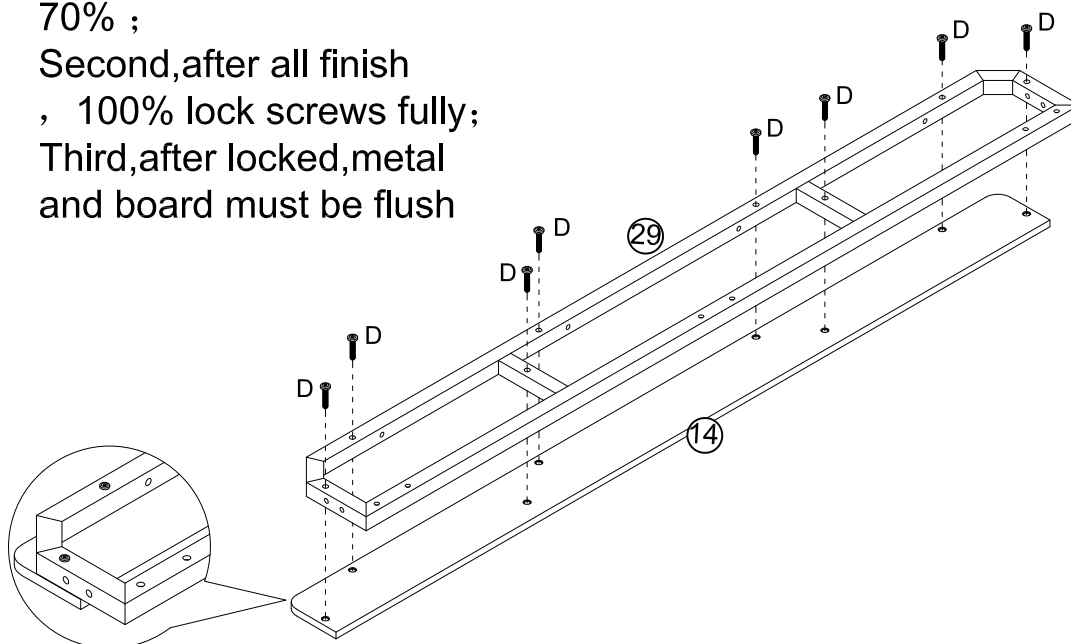
First ,all screws are tighten

70% ;

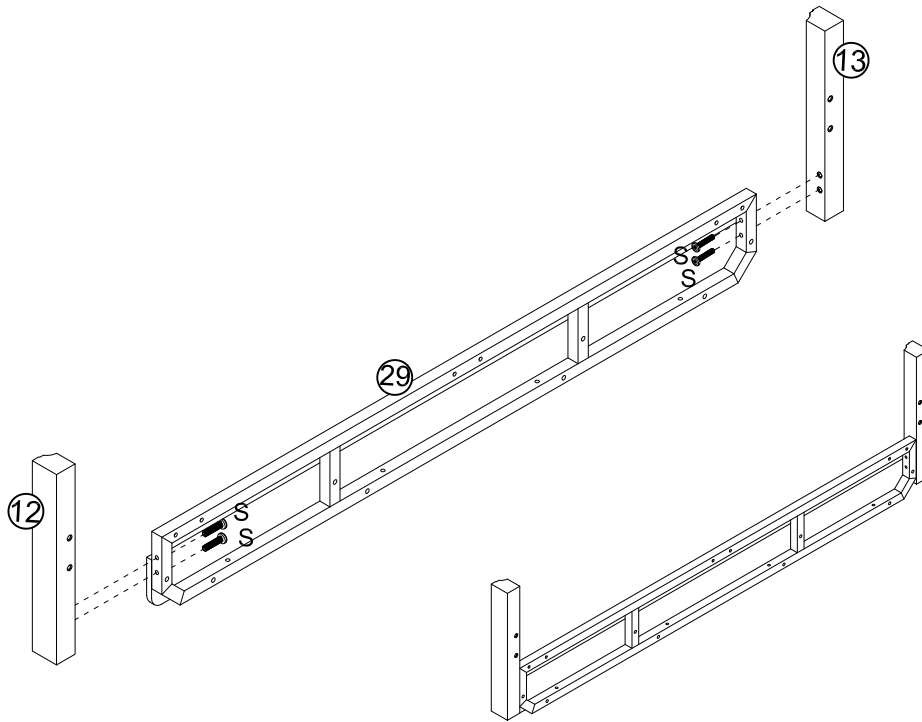
Second,after all finish

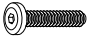


, 100% lock screws fully;

Third,after locked,metal
and board must be flush

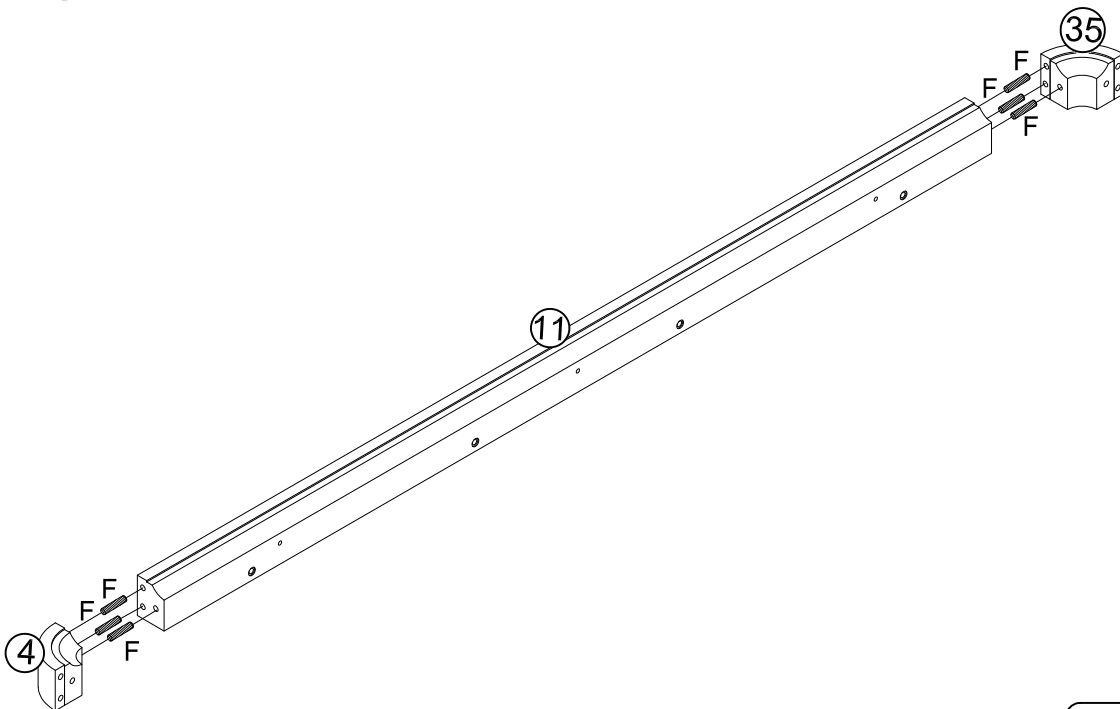



Step 11



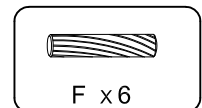
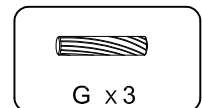
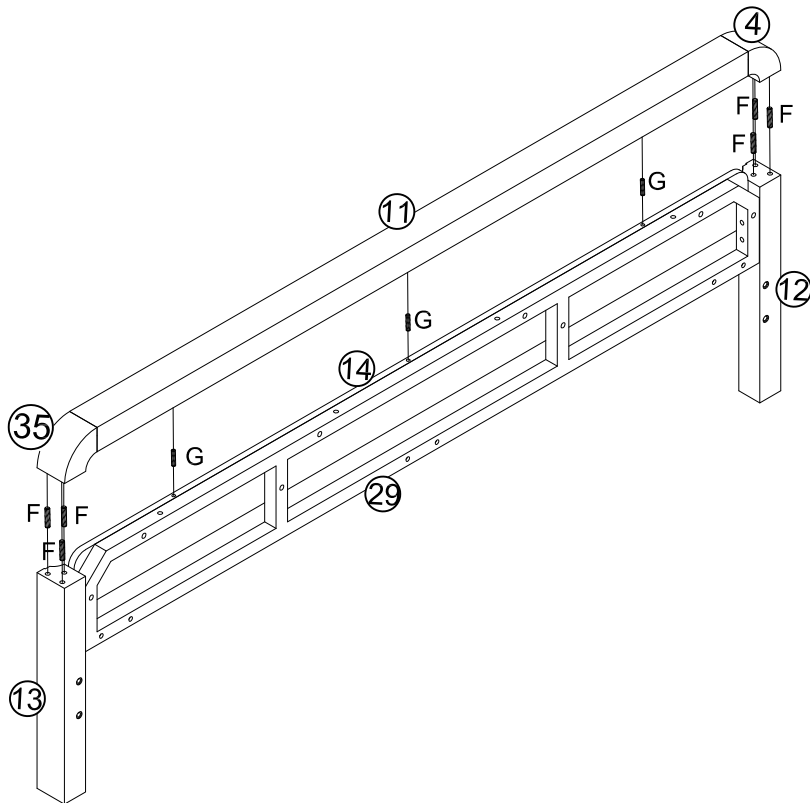
- 
S x 4
- 
H
- 
J x 2

Step 12

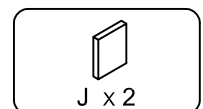
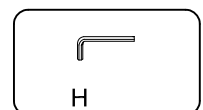
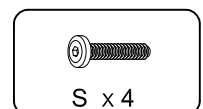
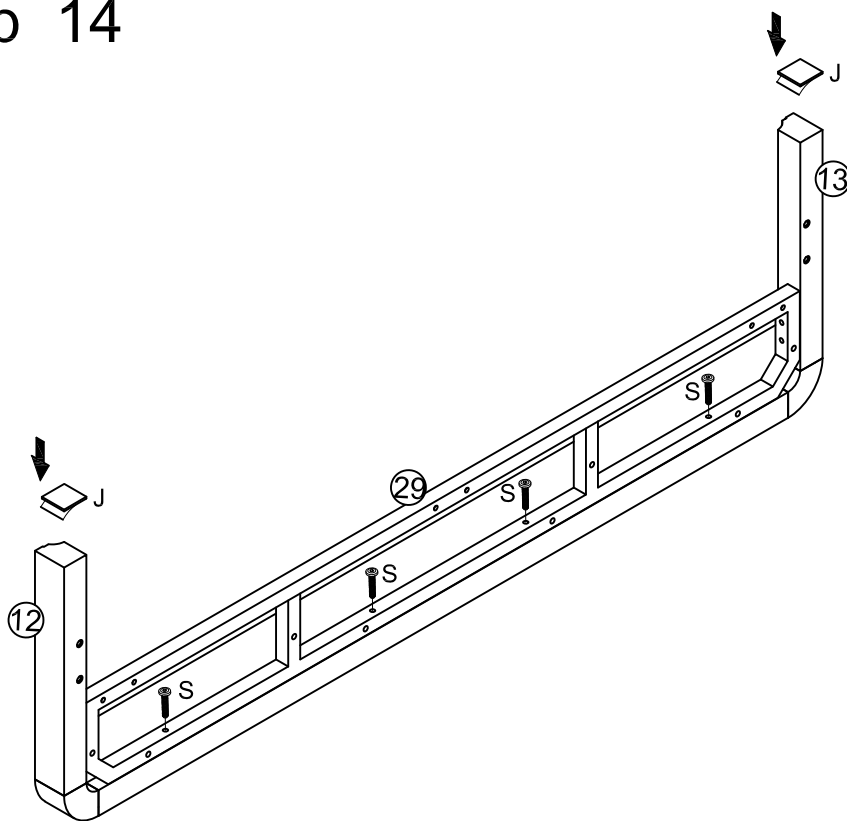


- 
F x 6

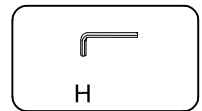
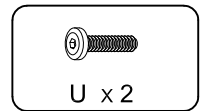
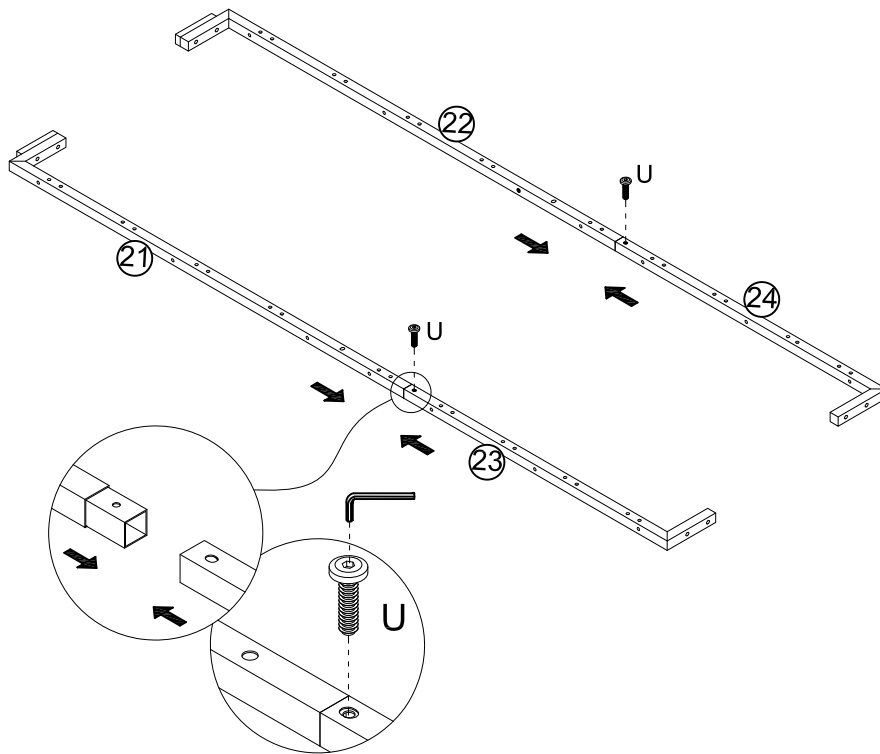
Step 13



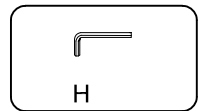
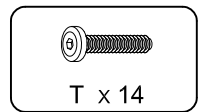
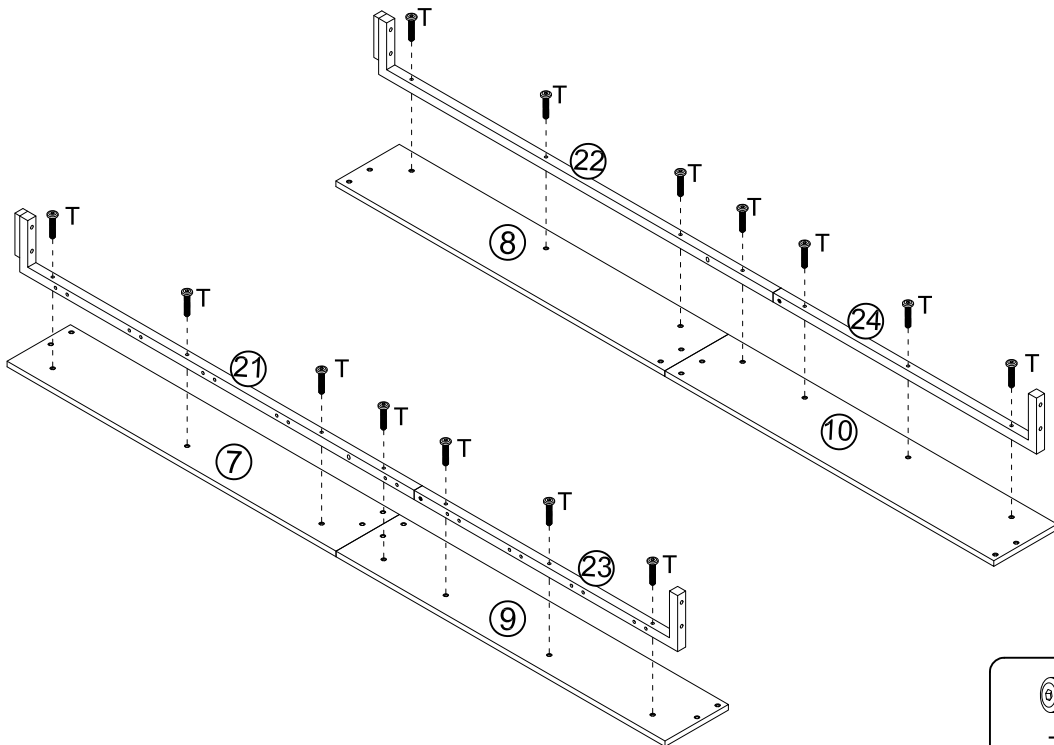
Step 14



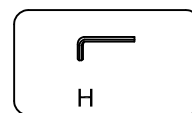
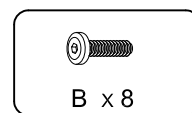
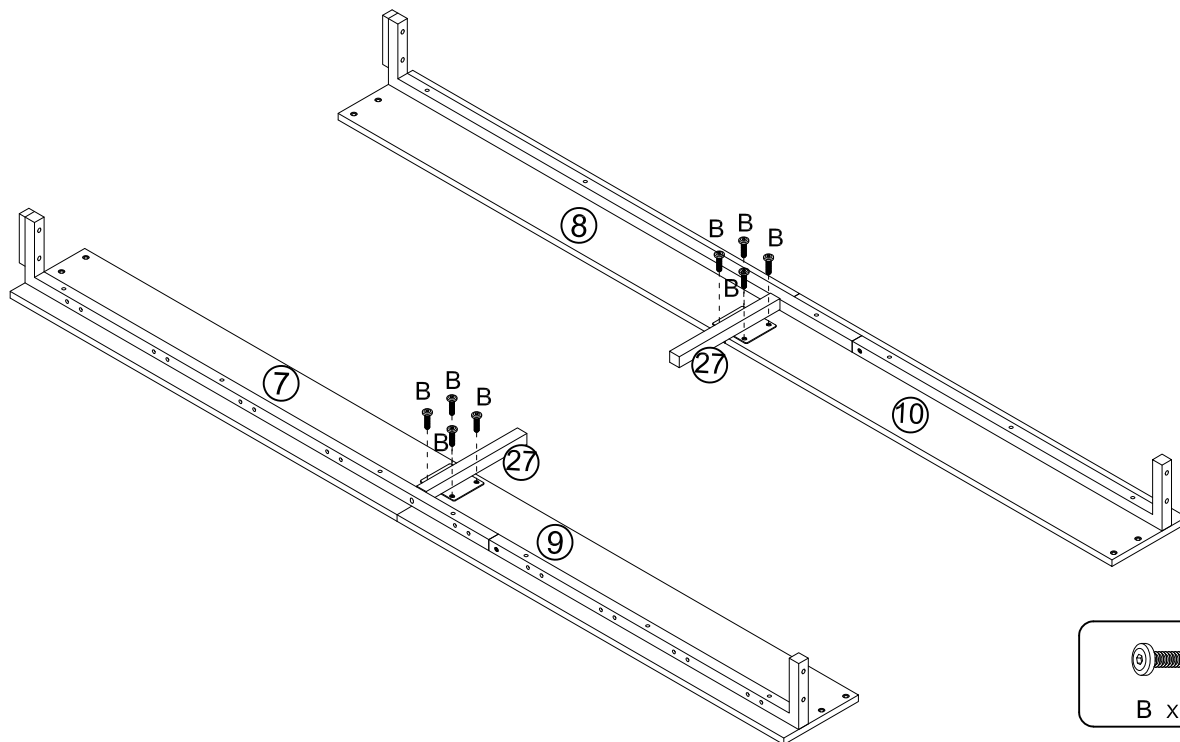
Step 15



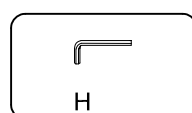
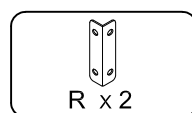
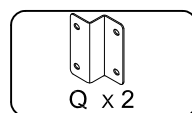
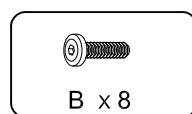
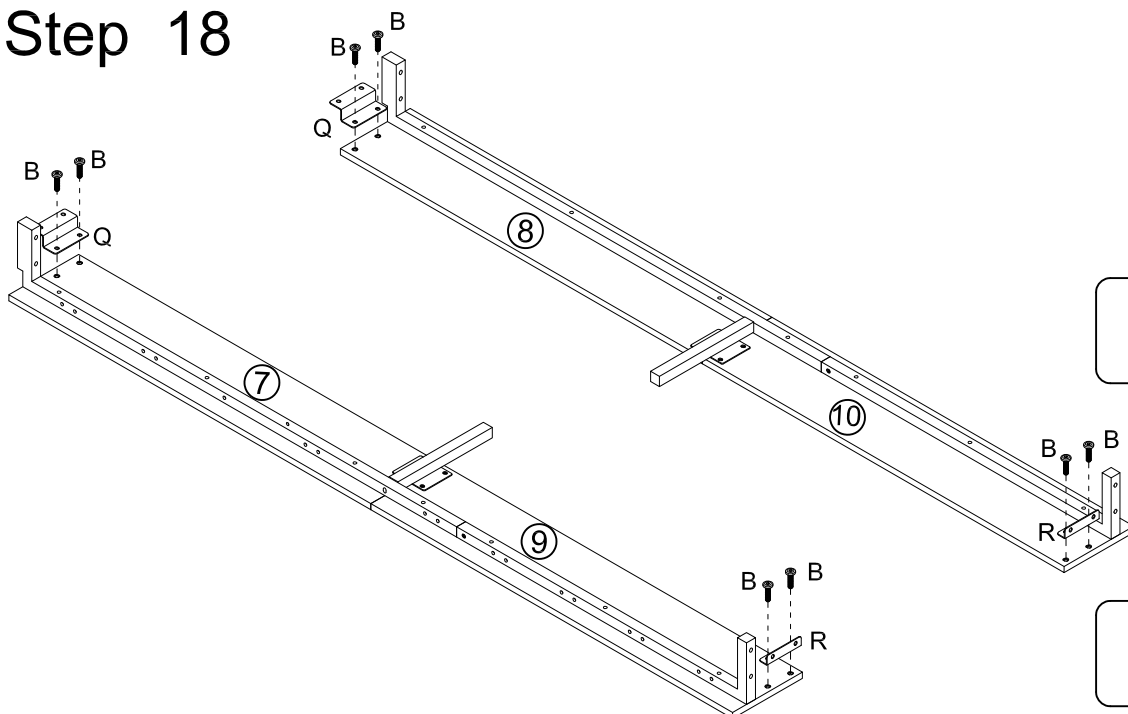
Step 16



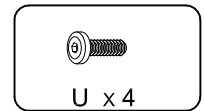
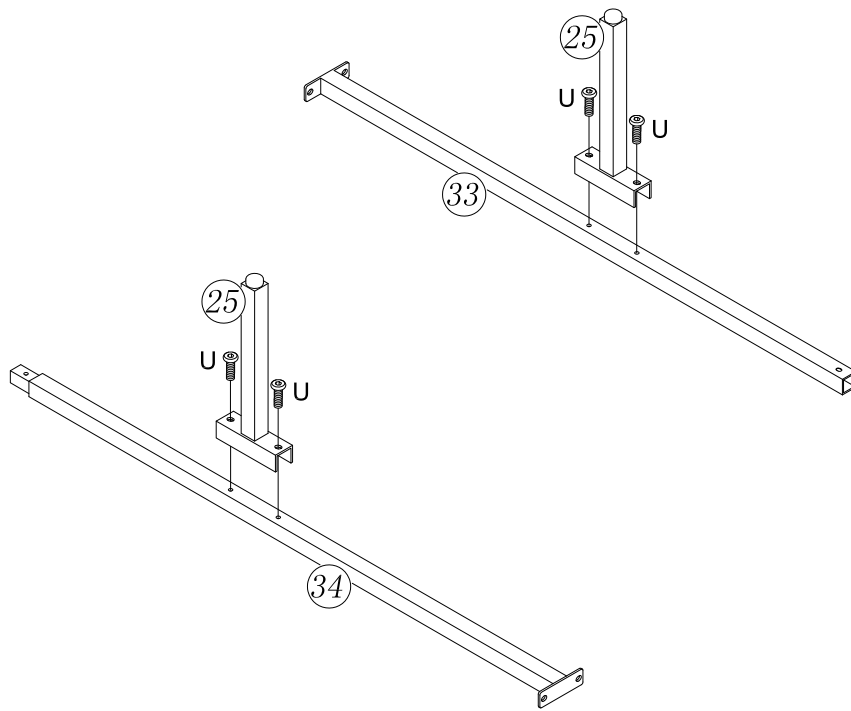
Step 17



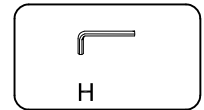
Step 18



Step 19

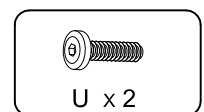
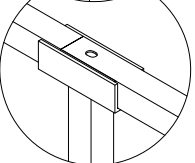
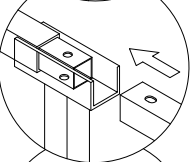
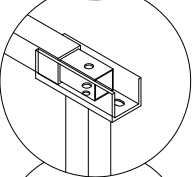
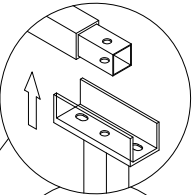
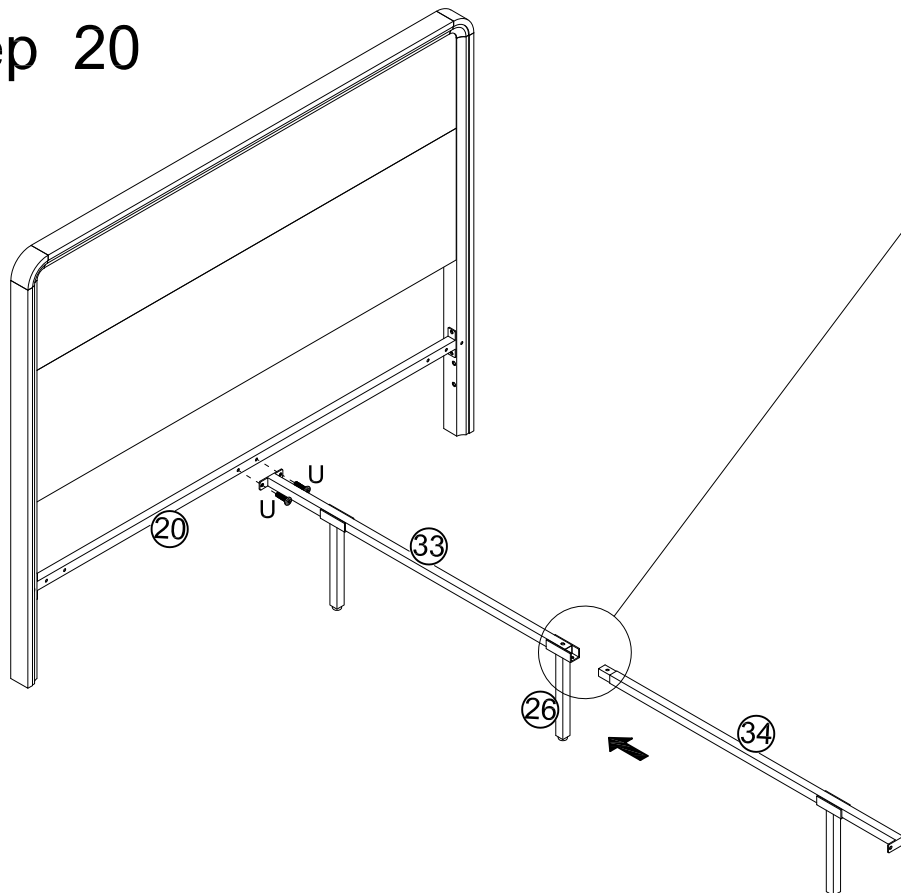


U x 4

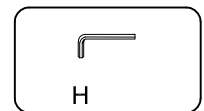


H

Step 20

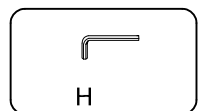
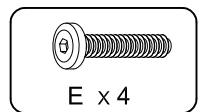
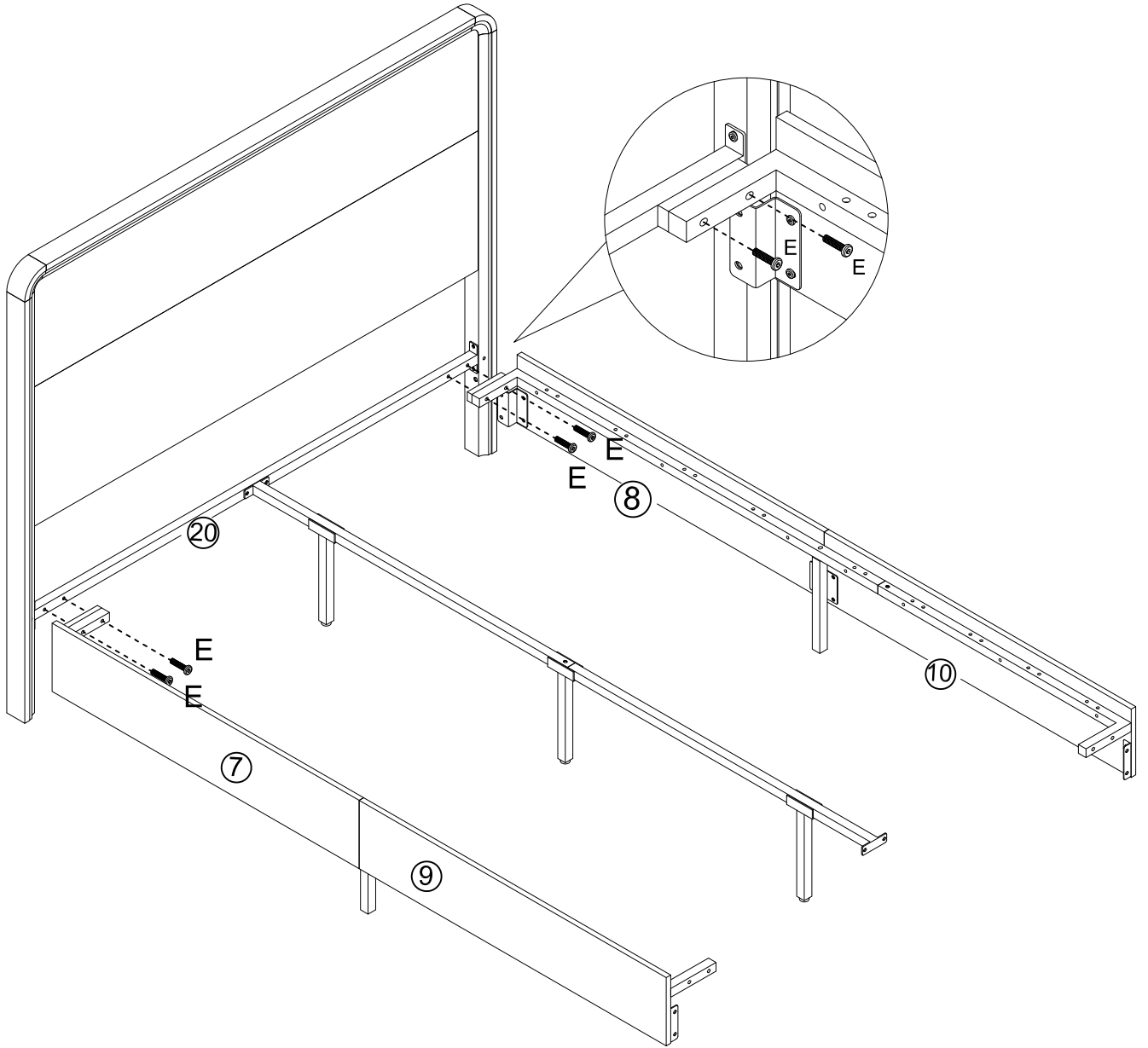


U x 2

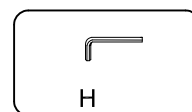
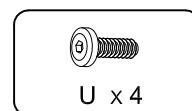
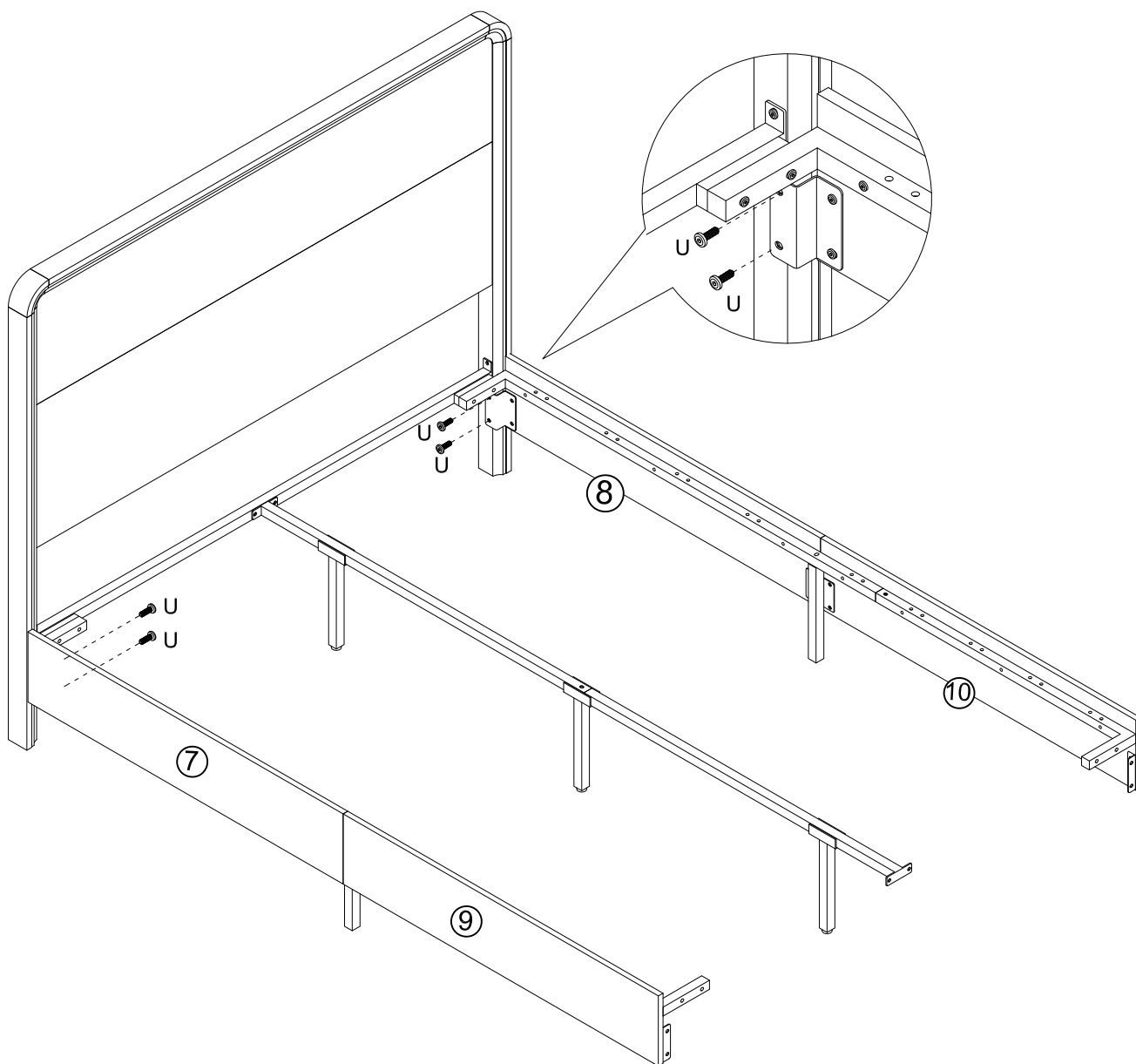


H

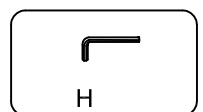
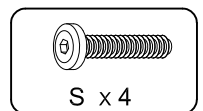
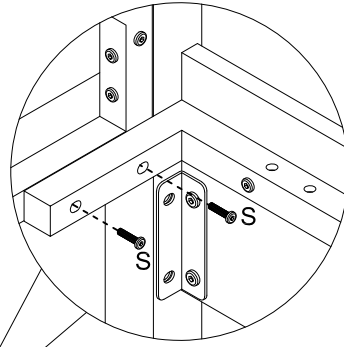
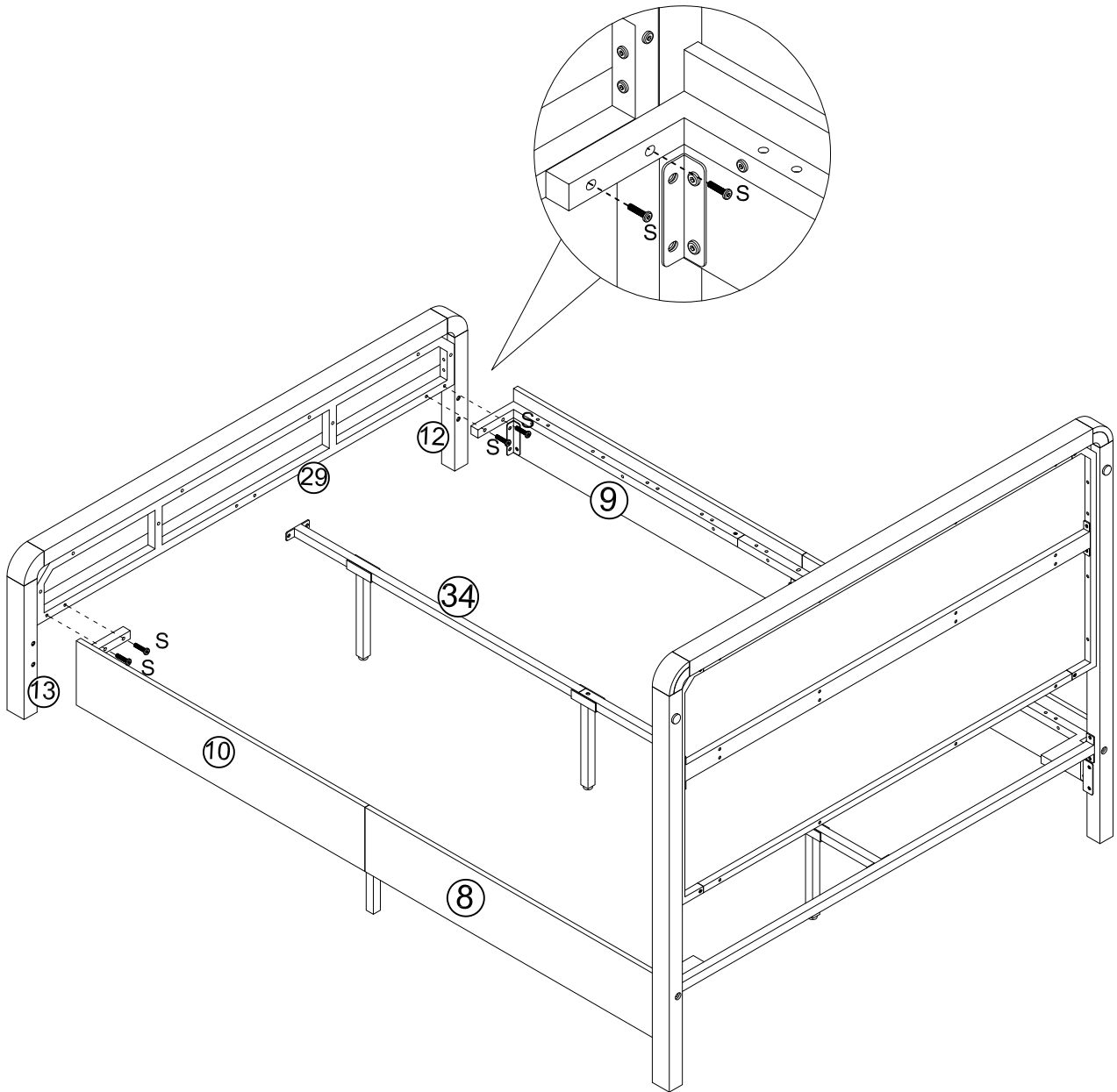
Step 21



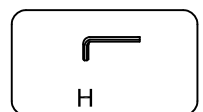
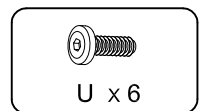
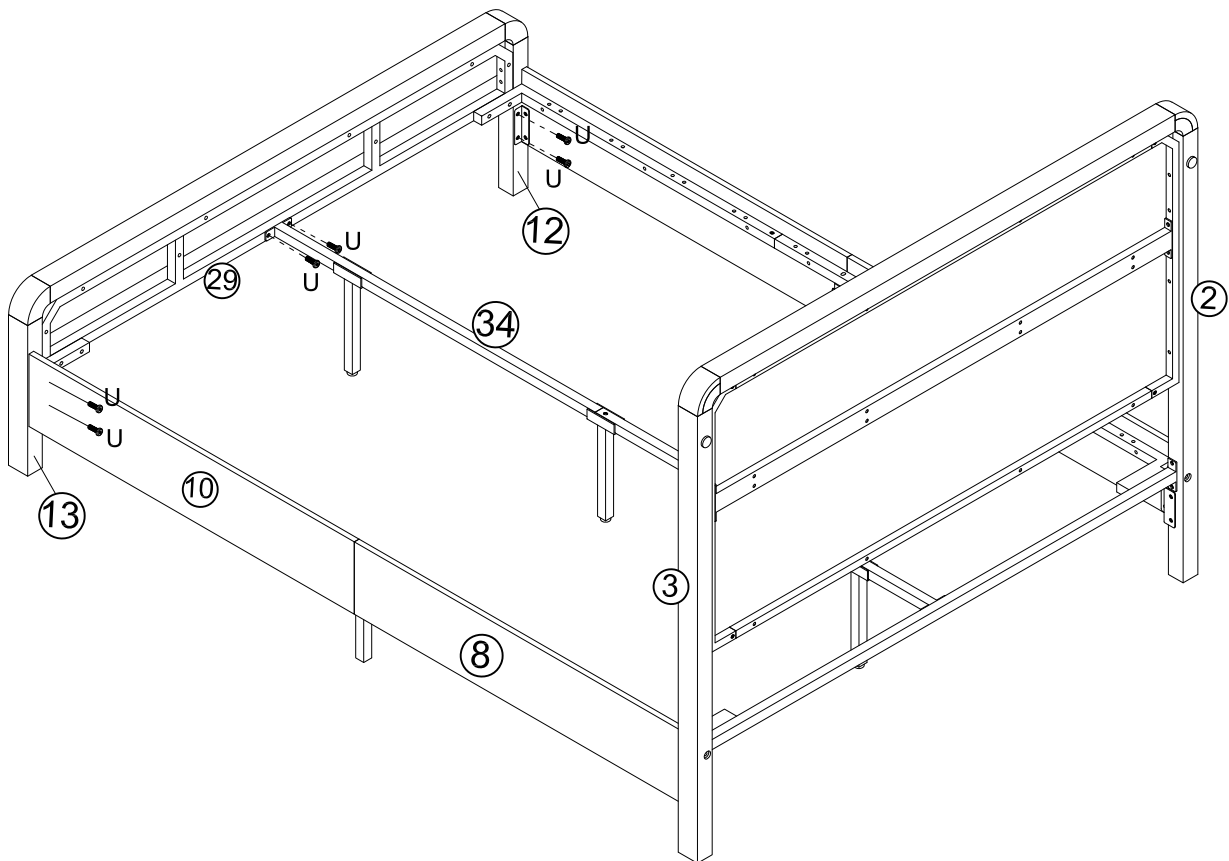
Step 22



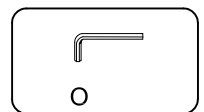
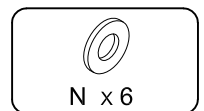
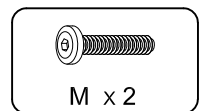
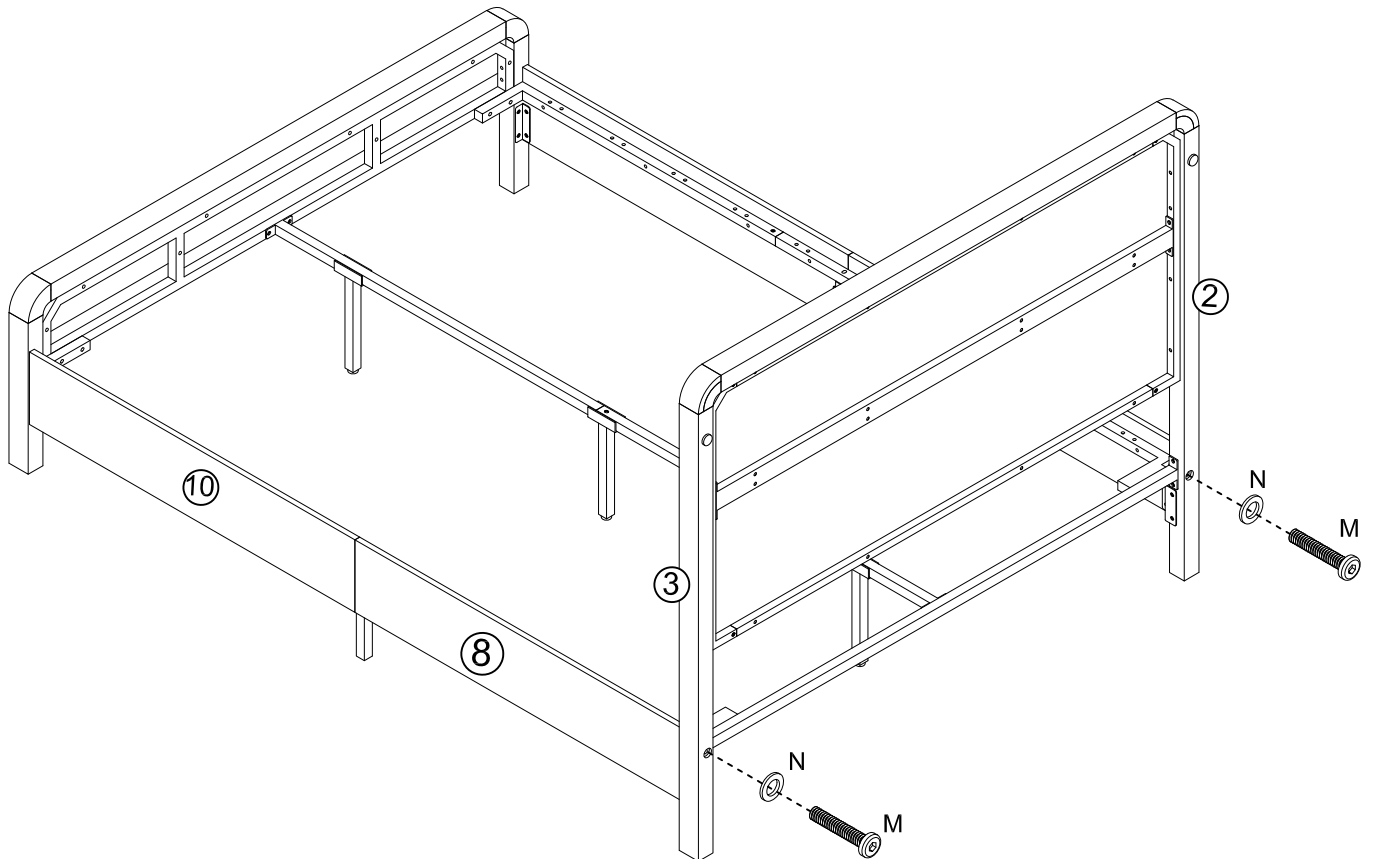
Step 23



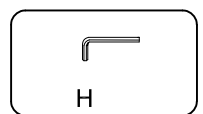
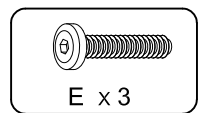
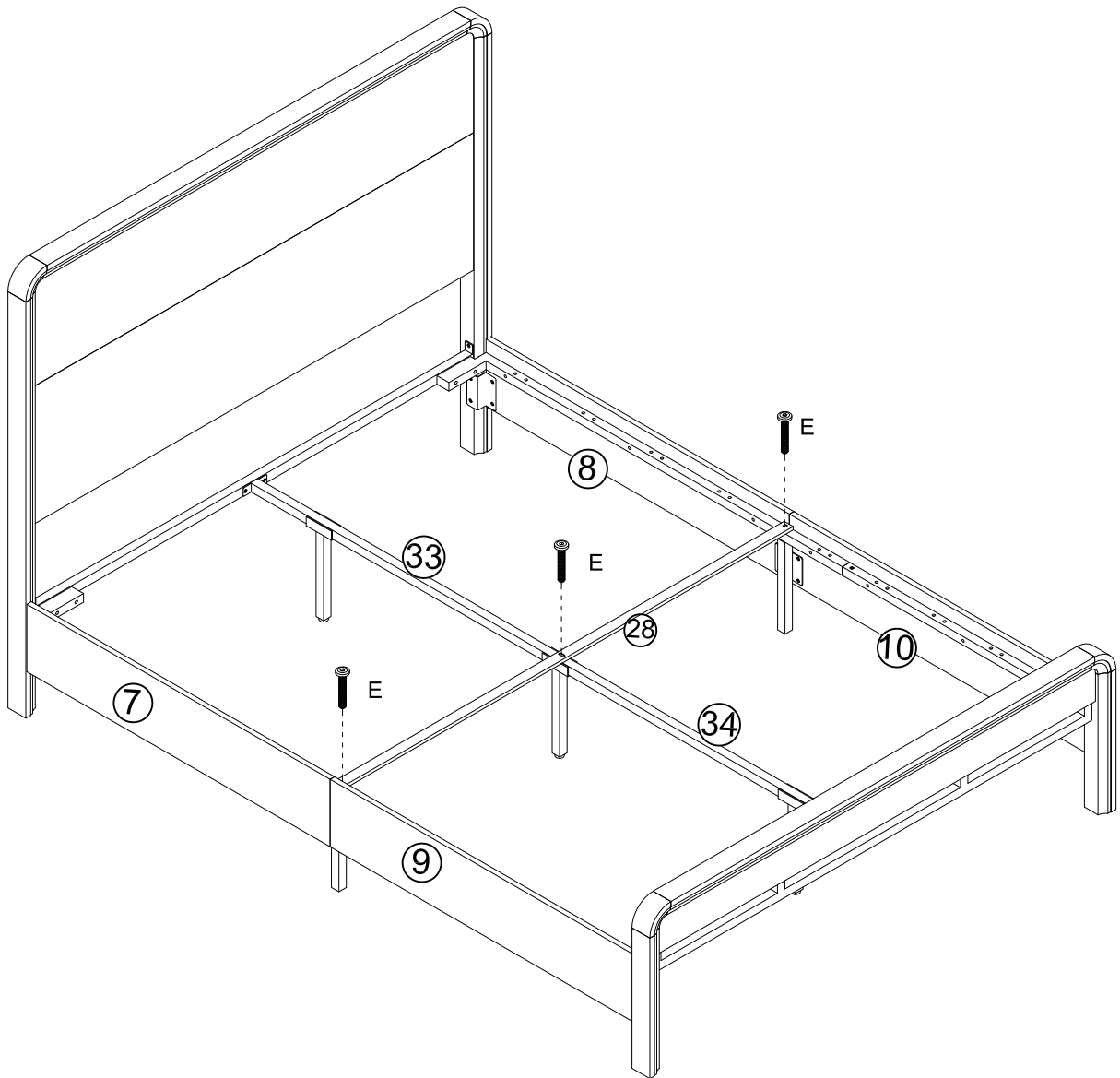
Step 24



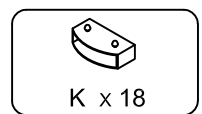
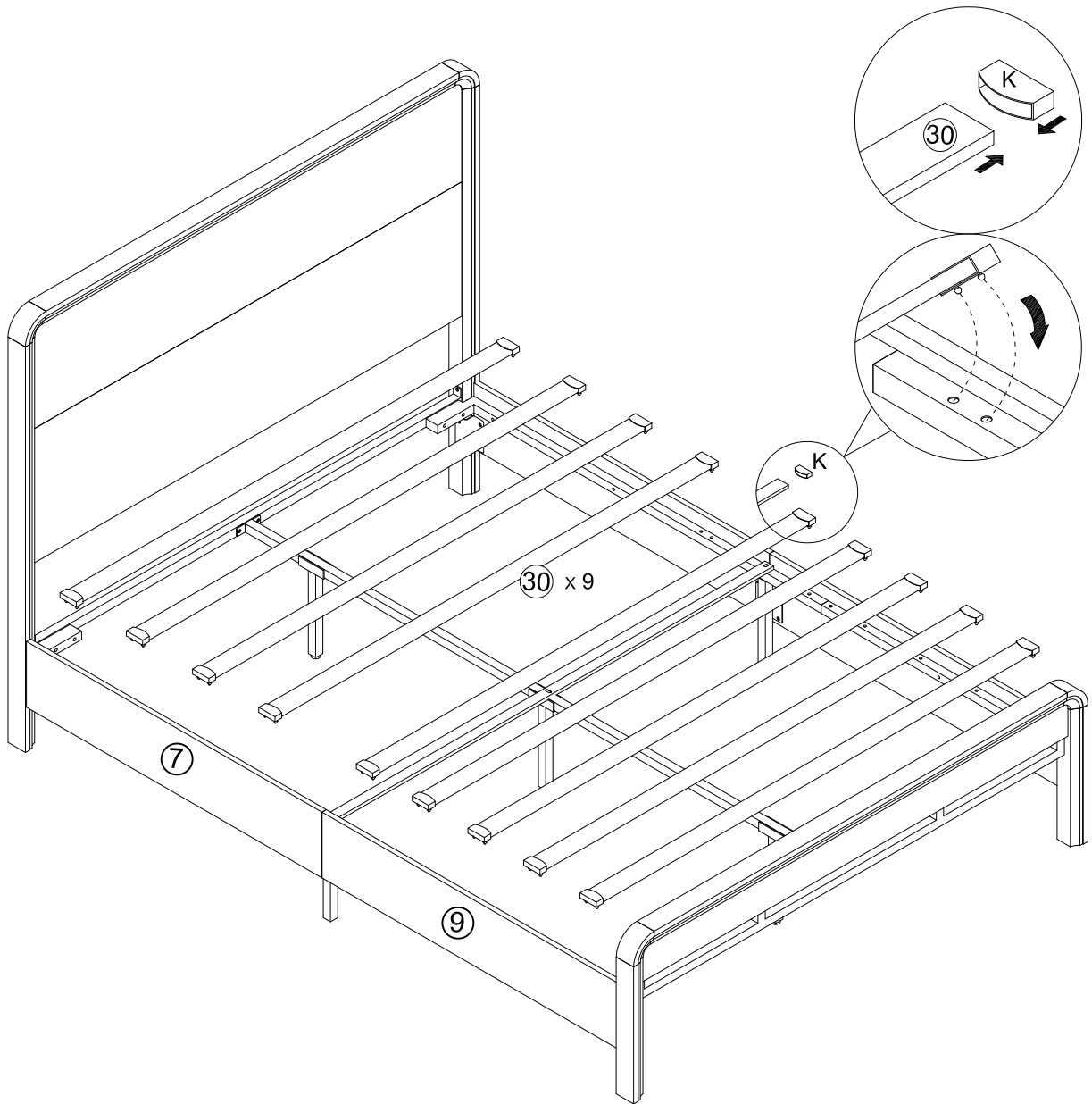
Step 25



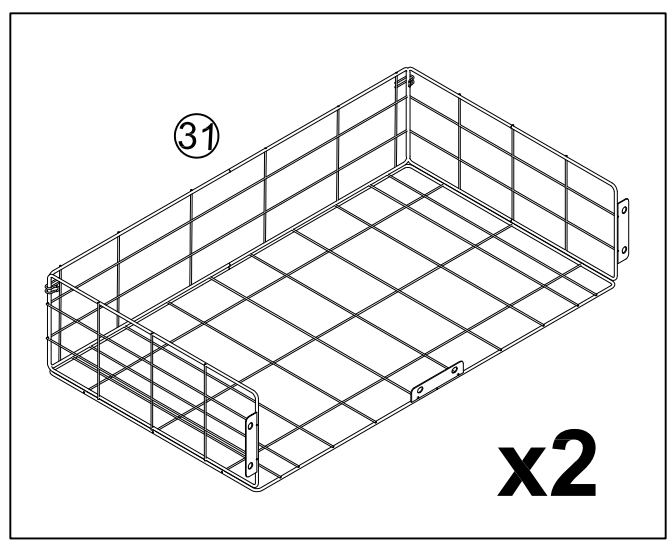
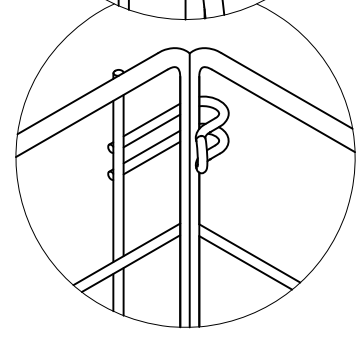
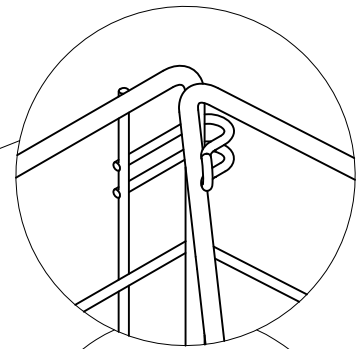
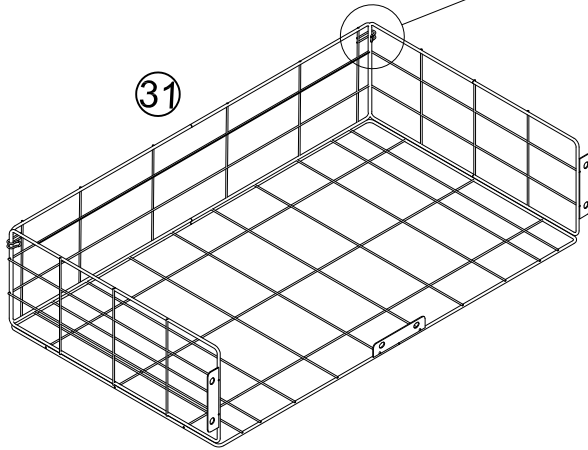
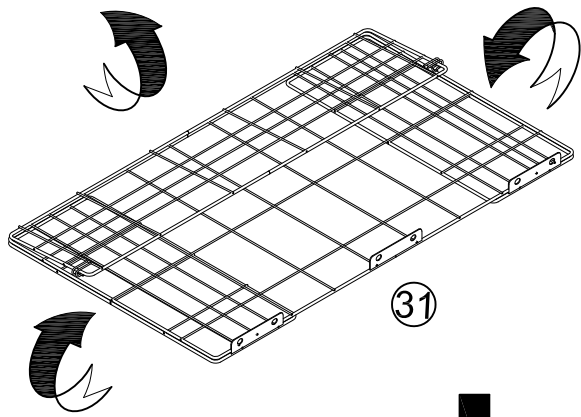
Step 26



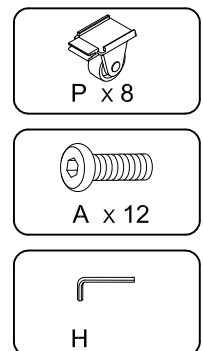
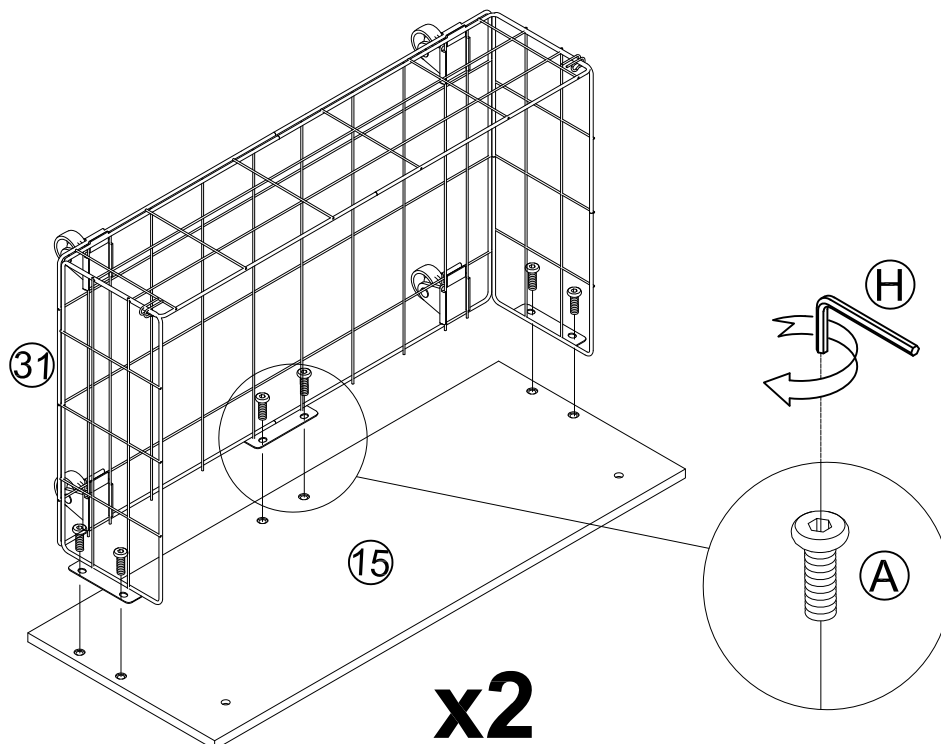
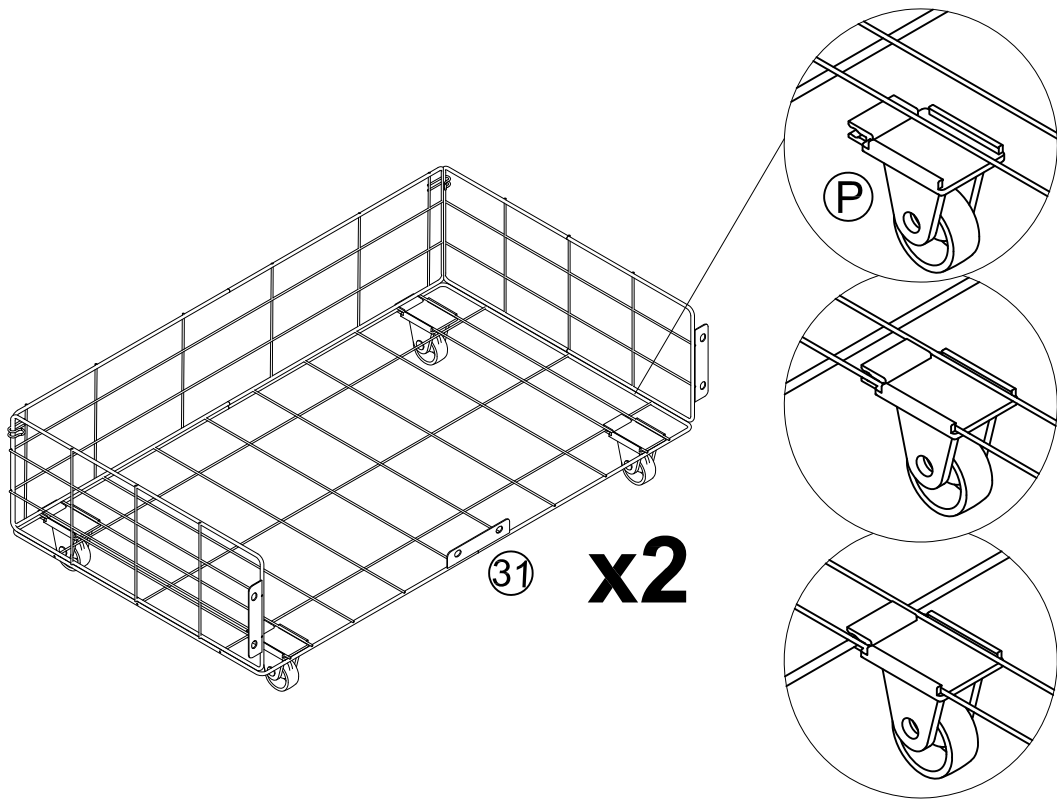
Step 27



Step 28



Step 29



Step 30

