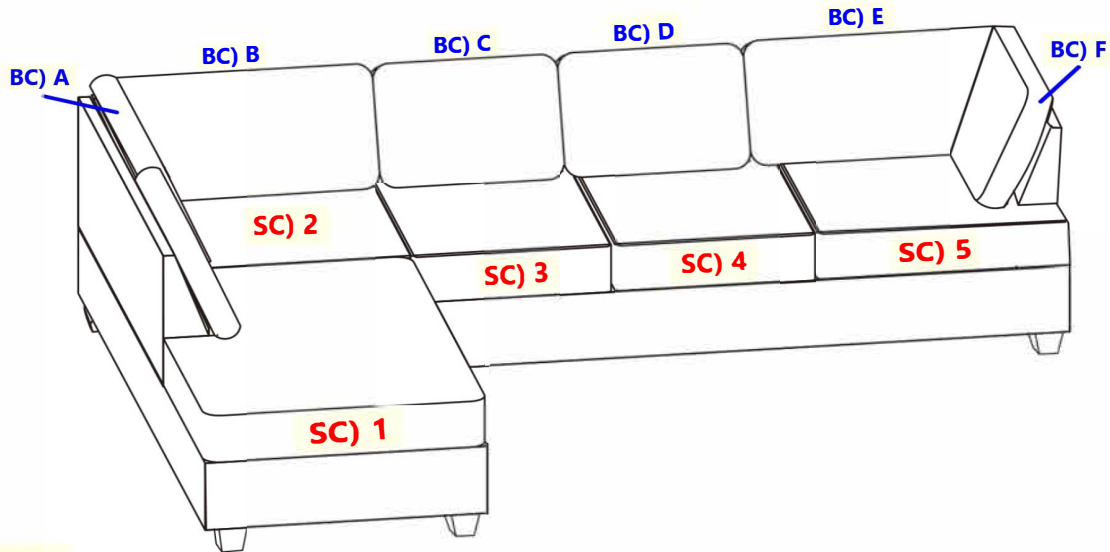


# NOTICE BEFORE ASSEMBLY

Please choose the CHAISE to be on  
the LEFT or RIGHT hand side

Assembly Instruction I :CHAISE ON THE LEFT



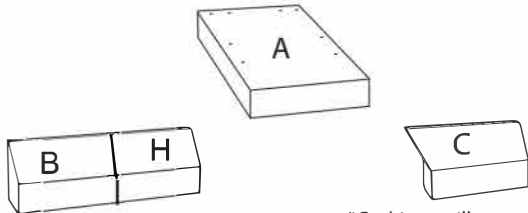
BC - Back Cushion  
SC - Seat Cushion

## BOX 1 - CHAISE

## PARTS LIST

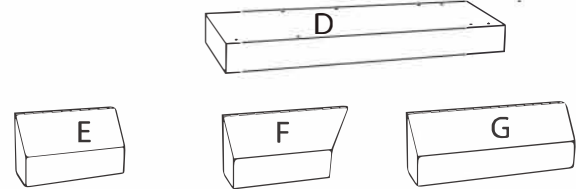
## BOX 2 - SOFA

BOX-1





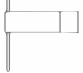




\*Cushions, pillows and legs included

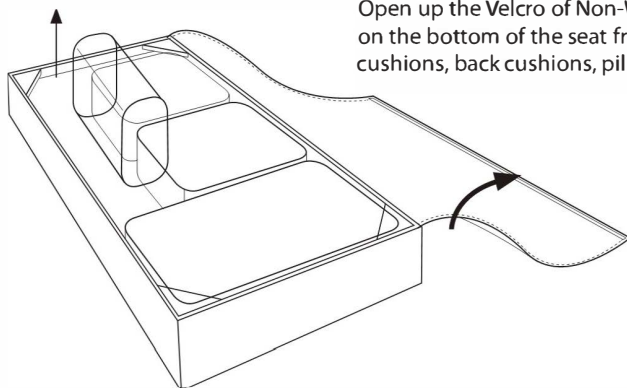
BOX-2



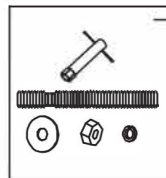
\*Cushions, pillows and legs included

- |  |  |  |  |   |
|--|--|--|--|---|
| 1.  x13 | 2.  x13 | 3.  x13 | 4.  x13 | 5.  x2 |
| 6.  x8  | 7.  x2  |  |  |   |

## BEFORE ASSEMBLY

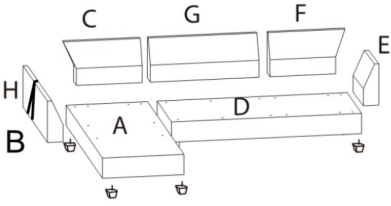


Open up the Velcro of Non-Woven Fabric cover on the bottom of the seat frame to remove seat cushions, back cushions, pillows and hardware.

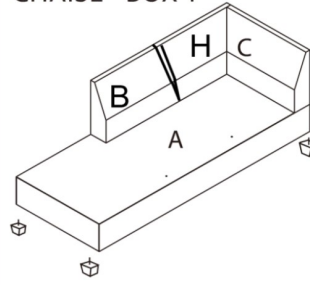


\*\*\*PLEASE REMOVE ALL PARTS FROM SEAT FRAMES BEFORE ASSEMBLY\*\*\*

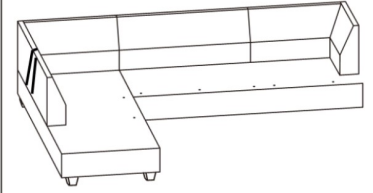
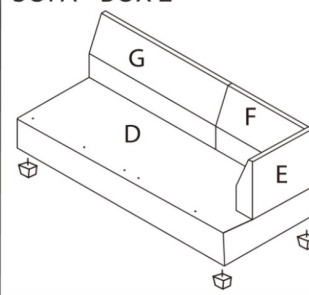
CHAISE ON THE LEFT



CHAISE - BOX 1



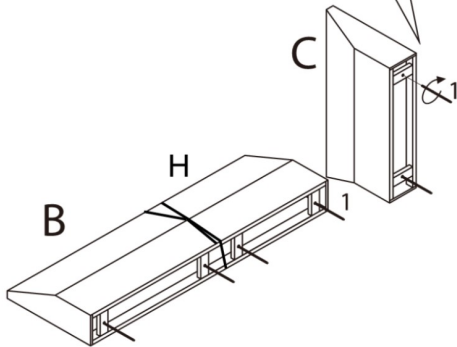
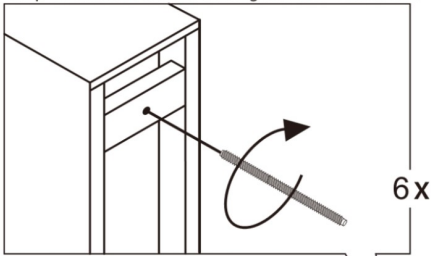
SOFA - BOX 2



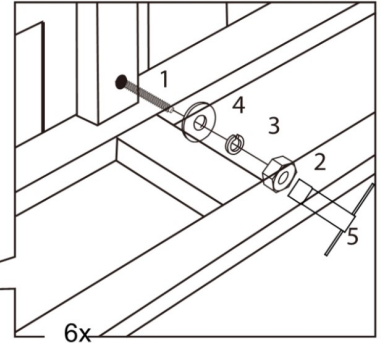
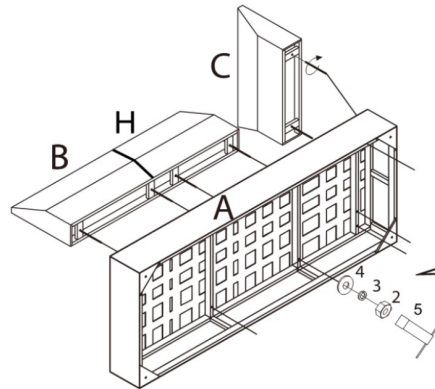
CHAISE ASSEMBLY INSTRUCTION-BOX 1

STEP 1- INSERT THREADED ROD INTO SEAT BACKS

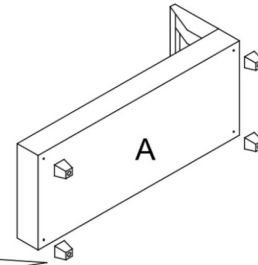
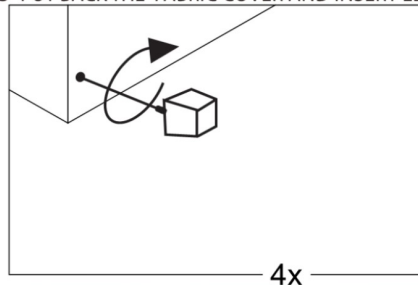
\*Stop when the rod starts coming out on the other end



STEP 2- MOUNTED SEAT BACKS INTO THE SEAT FRAME

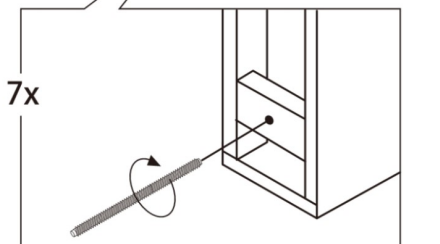
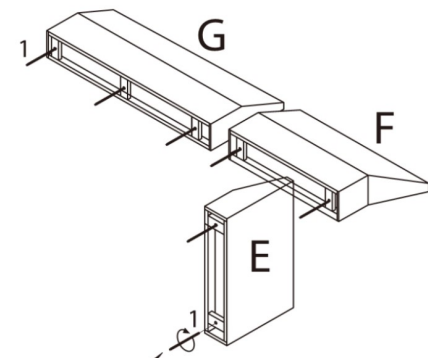


STEP 3- PUT BACK THE FABRIC COVER AND INSERT LEGS



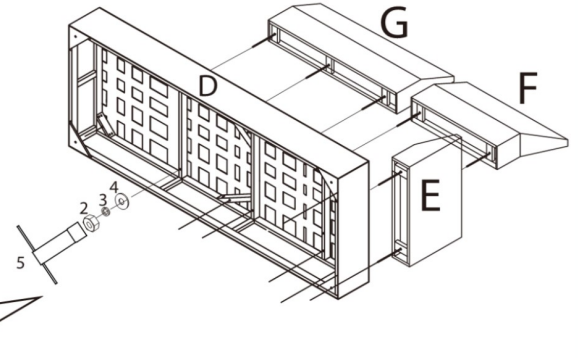
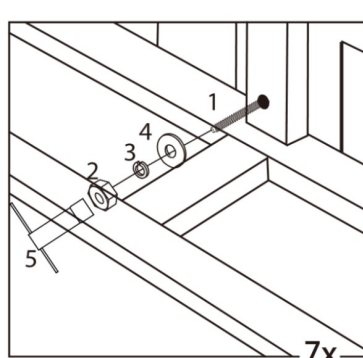
SOFA ASSEMBLY INSTRUCTION-BOX 2

STEP 1- INSERT THREADED ROD INTO SEAT BACKS

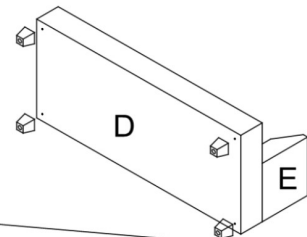
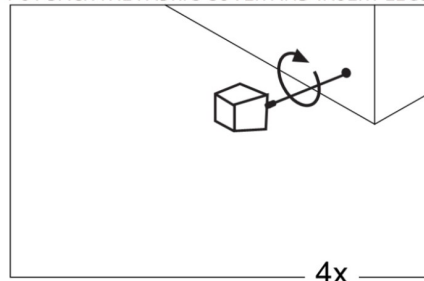


\*Stop when the rod starts coming out on the other end

STEP 2- MOUNT SEAT BACKS INTO THE SEAT FRAME



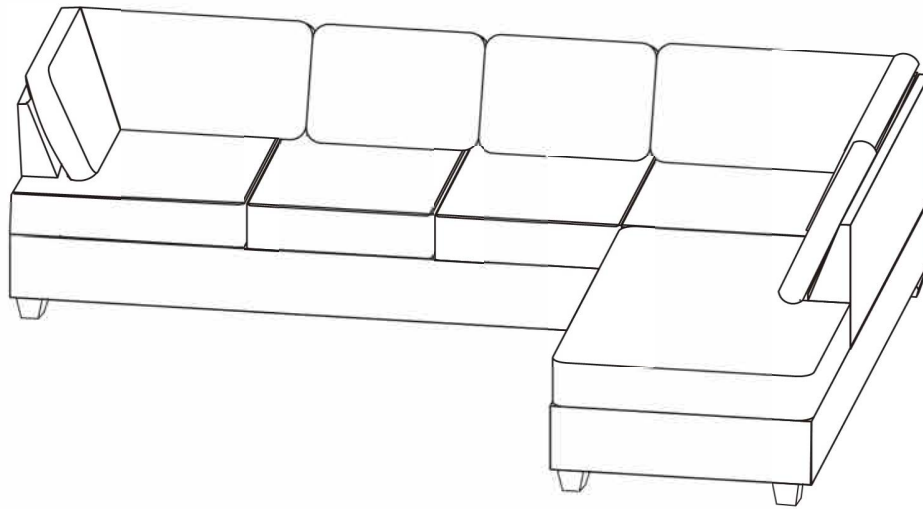
STEP 3- PUT BACK THE FABRIC COVER AND INSERT LEGS



# NOTICE BEFORE ASSEMBLY

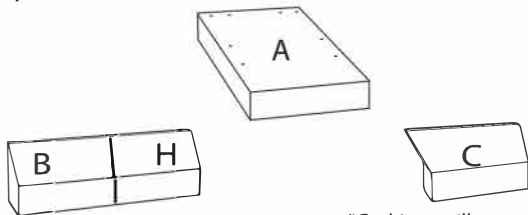
Please choose the CHAISE to be on  
the LEFT or RIGHT hand side

Assembly Instruction II:CHAISE ON THE RIGHT



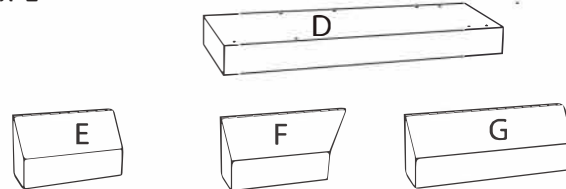
## PARTS LIST

BOX-1





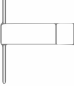




\*Cushions, pillows and legs included

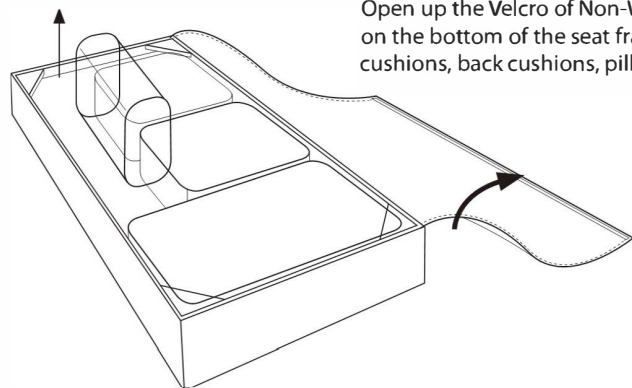
BOX-2



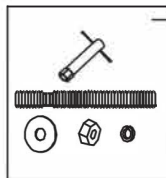
\*Cushions, pillows and legs included

1.  x13	2.  x13	3.  x13	4.  x13	5.  x2
6.  x2	7.  x8			

## BEFORE ASSEMBLY

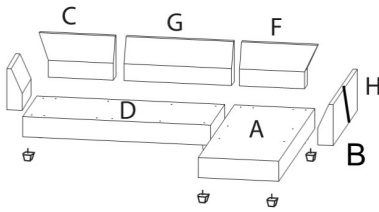


Open up the Velcro of Non-Woven Fabric cover on the bottom of the seat frame to remove seat cushions, back cushions, pillows and hardware.

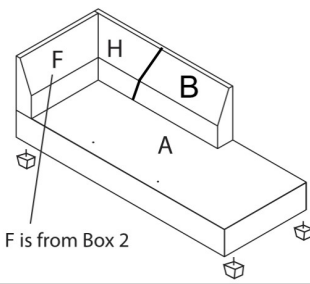


\*\*\*PLEASE REMOVE ALL PARTS FROM SEAT FRAMES BEFORE ASSEMBLY\*\*\*

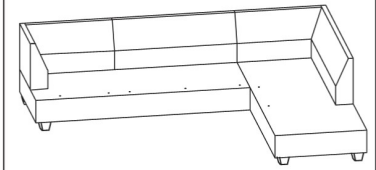
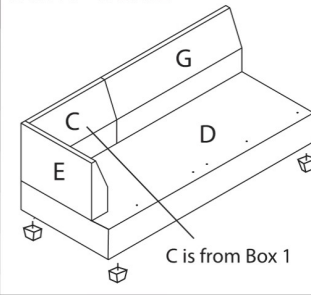
CHAISE ON THE RIGHT



CHAISE - BOX 1



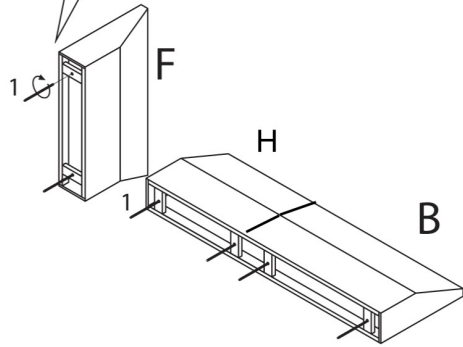
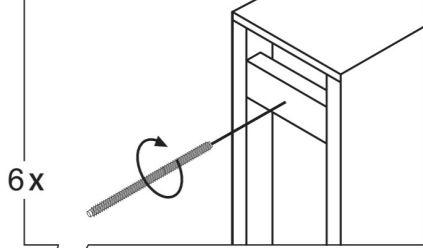
SOFA - BOX 2



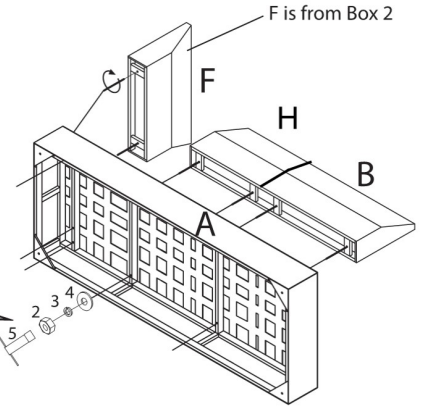
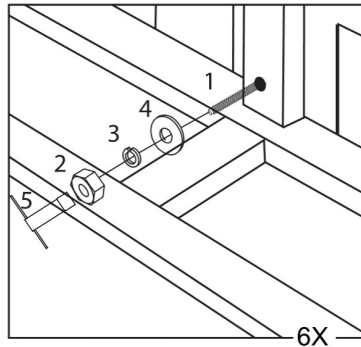
CHAISE ASSEMBLY INSTRUCTION-BOX 1

STEP 1 - INSERT THREADED ROD INTO SEAT BACKS

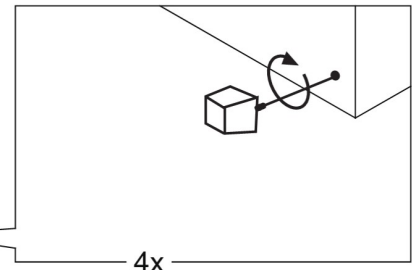
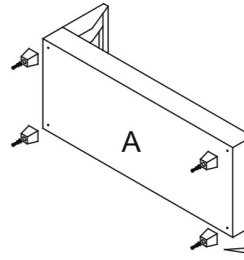
\*Stop when the rod starts coming out on the other end



STEP 2 - MOUNT SEAT BACKS INTO THE SEAT FRAME

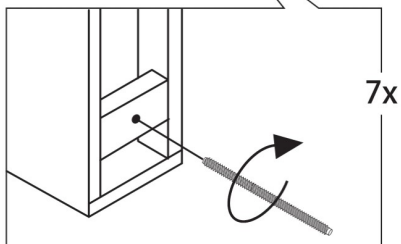
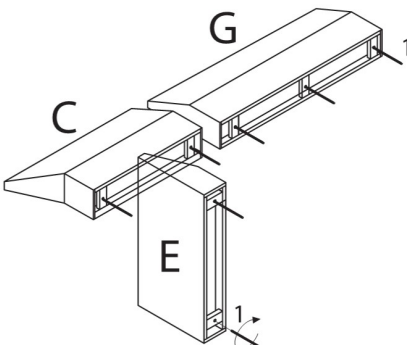


STEP 3 - PUT BACK THE FABRIC COVER AND INSERT LEGS



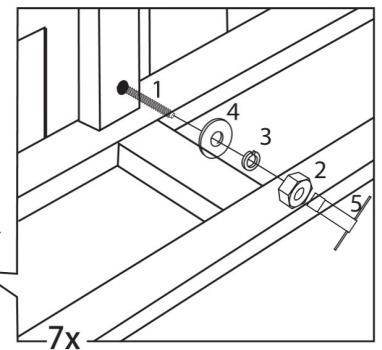
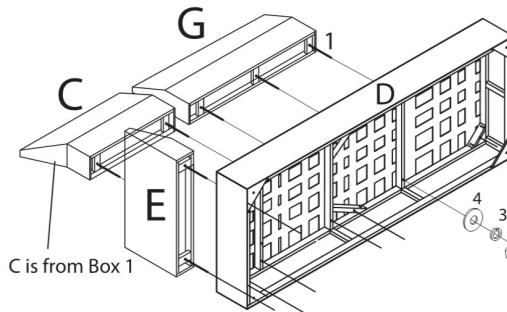
SOFA ASSEMBLY INSTRUCTION-BOX 2

STEP 1 - INSERT THREADED ROD INTO SEAT BACKS

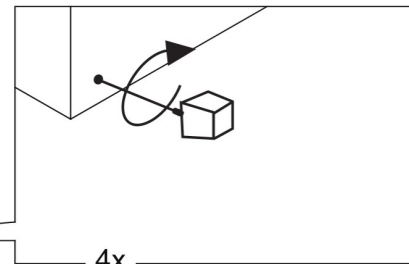
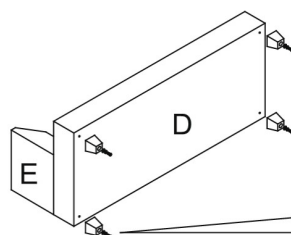


\*Stop when the rod starts coming out on the other end

STEP 2 - MOUNTED SEAT BACKS INTO THE SEAT FRAME



STEP 3 - PUT BACK THE FABRIC COVER AND INSERT LEGS



**INSERT THE “n” SHAPE HANGER INTO THE SEAT FRAME TO ATTACH THE SECTIONAL TOGETHER.**

